

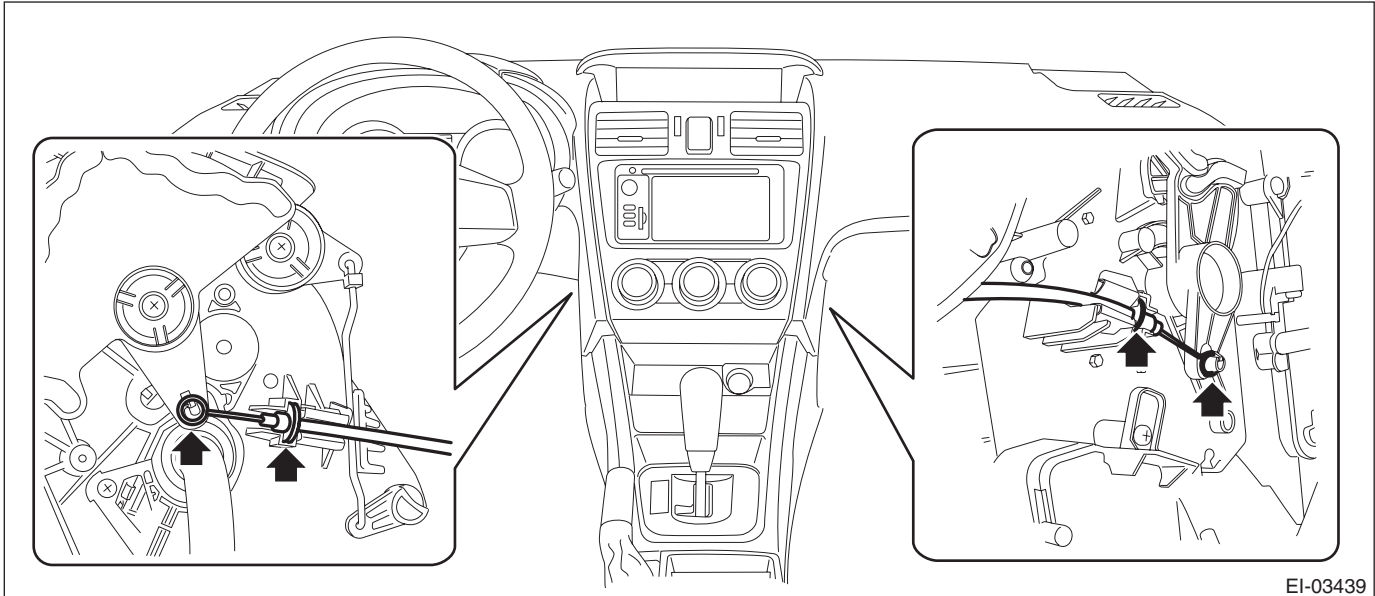
Control Panel

HVAC SYSTEM (HEATER, VENTILATOR AND A/C)

14. Control Panel

A: REMOVAL

- 1) Disconnect the ground cable from battery.
- 2) On manual A/C models, disconnect the control cables from both sides of the heater and cooling unit assembly.



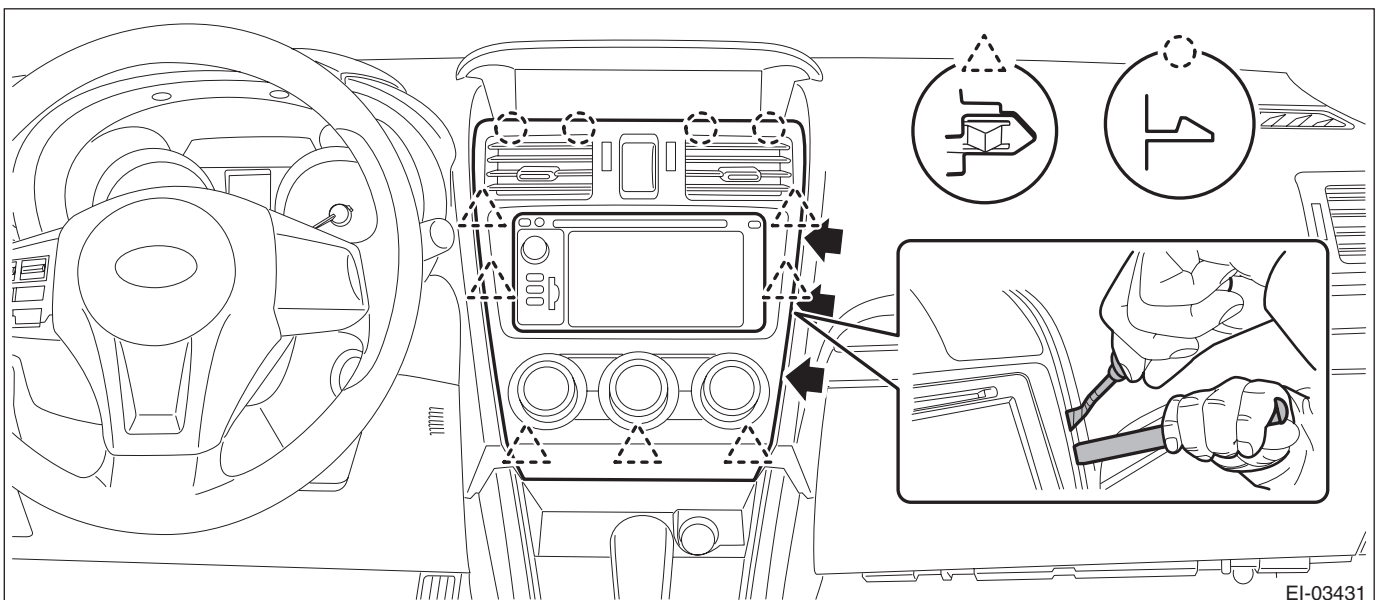
NOTE:

Remove the glove box pocket assembly on the passenger's side.

- 3) Remove the panel center assembly.

CAUTION:

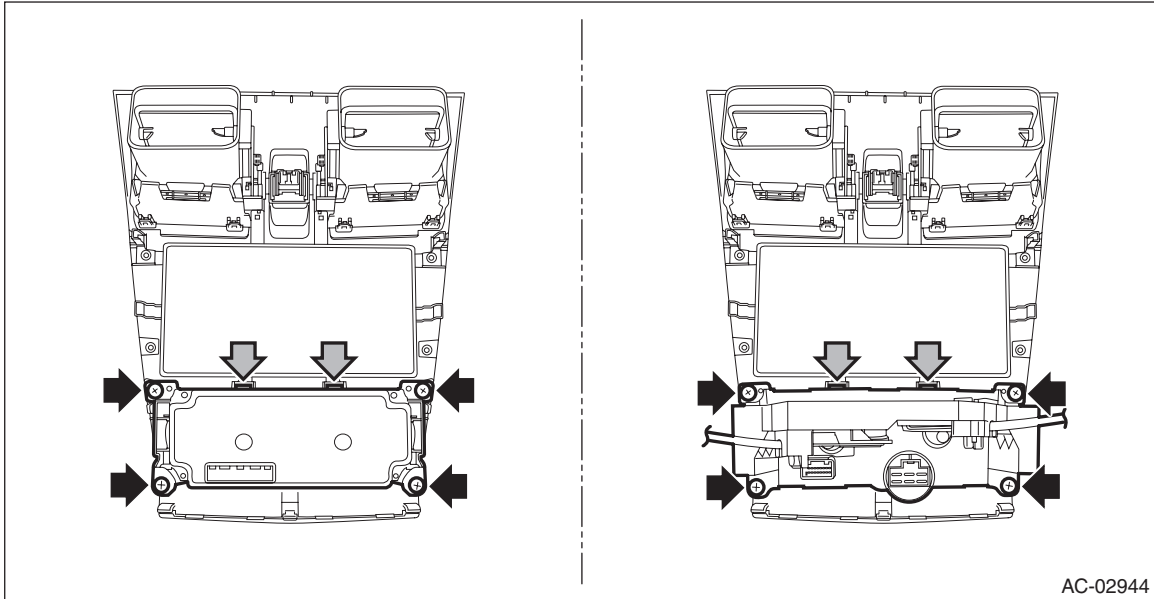
- Do not put your finger on the fin of the air vent grille. Doing so may damage the fin.
 - Pull the panel center assembly slowly. Pulling with excessive force may damage the connector.
- (1) Insert a plastic remover to the three areas shown by the arrows, and lift up the panel center assembly slightly.
 - (2) With the panel center assembly lifted up slightly, release the claw by using a clip remover wrapped with protective tape.
 - (3) Release the rest of the claws, and pull out the panel center assembly.
 - (4) Disconnect the connectors, and remove the panel center assembly.



Control Panel

HVAC SYSTEM (HEATER, VENTILATOR AND A/C)

- 4) Remove the heater control assembly.
 - (1) Remove the screws.
 - (2) Release the claws, and then remove the heater control assembly from the panel center assembly.



B: INSTALLATION

CAUTION:

After installing the panel center assembly, check that the air vent grille of the panel center assembly is inserted correctly into the air vent duct.

Install each part in the reverse order of removal.

Control Panel

HVAC SYSTEM (HEATER, VENTILATOR AND A/C)

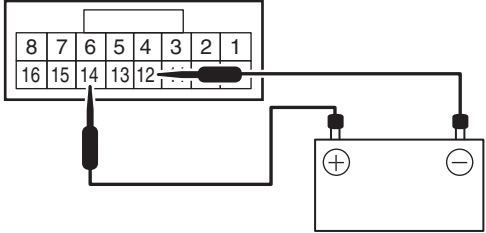
C: INSPECTION

1. CHECK ILLUMINATION

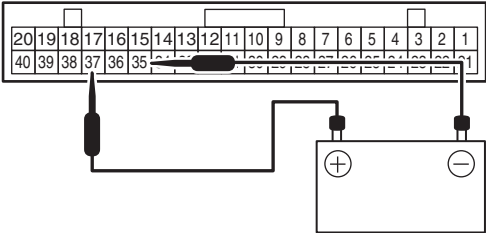
UNIT INSPECTION

1) Check the illumination operation when battery voltage is applied between the terminals of control panel.

- Manual A/C model

Terminal No.	Inspection conditions	Specification	Connection diagram
14 (+) — 12 (-)	Connect battery to the terminals	Light ON	 <p style="text-align: right;">AC-02733</p>

- Auto A/C model

Terminal No.	Inspection conditions	Specification	Connection diagram
37 (+) — 35 (-)	Connect battery to the terminals	Light ON	 <p style="text-align: right;">AC-02734</p>

2) If it does not operate normally, replace the heater control assembly.

Control Panel

HVAC SYSTEM (HEATER, VENTILATOR AND A/C)

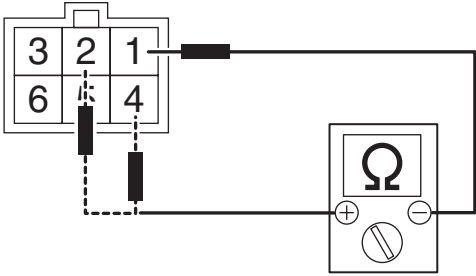
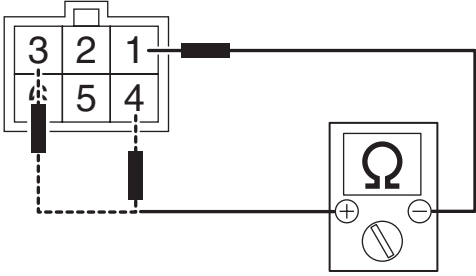
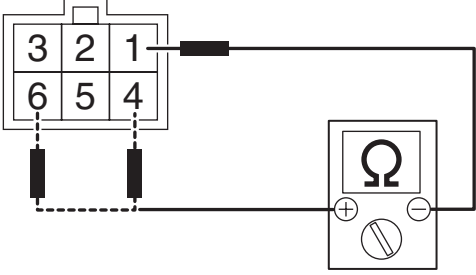
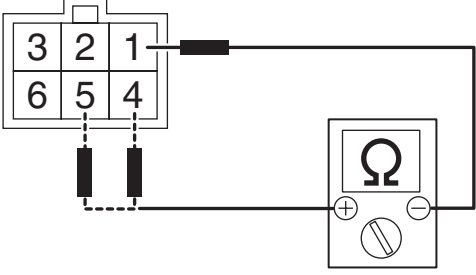
2. BLOWER SWITCH (MANUAL A/C MODEL)

UNIT INSPECTION

PREPARATION TOOL:

Circuit tester

1) Measure the resistance between the control panel terminals.

Terminal No.	Inspection conditions	Standard	Connection diagram
—	OFF	—	—
1 — 2, 4	1 (LO)	Less than 1 Ω	 <p>AC-02798</p>
1 — 3, 4	2 (M1)	Less than 1 Ω	 <p>AC-02799</p>
1 — 4, 6	3 (M2)	Less than 1 Ω	 <p>AC-02800</p>
1 — 4, 5	4 (HI)	Less than 1 Ω	 <p>AC-02801</p>

2) Replace the heater control assembly if the inspection result is not within the standard.