

General Description

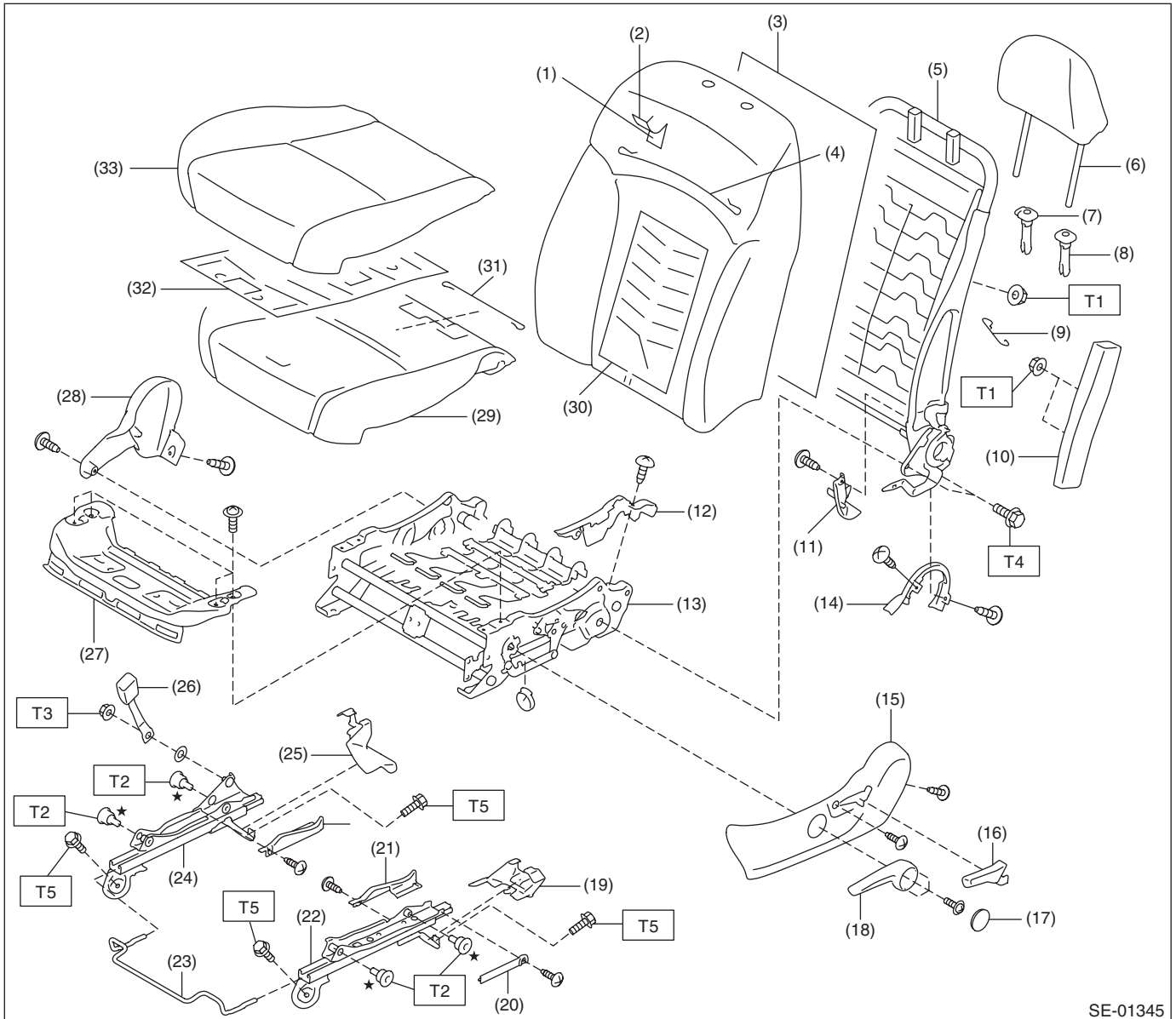
SEATS

1. General Description

A: COMPONENT

1. FRONT SEAT

- Manual seat LH



SE-01345

General Description

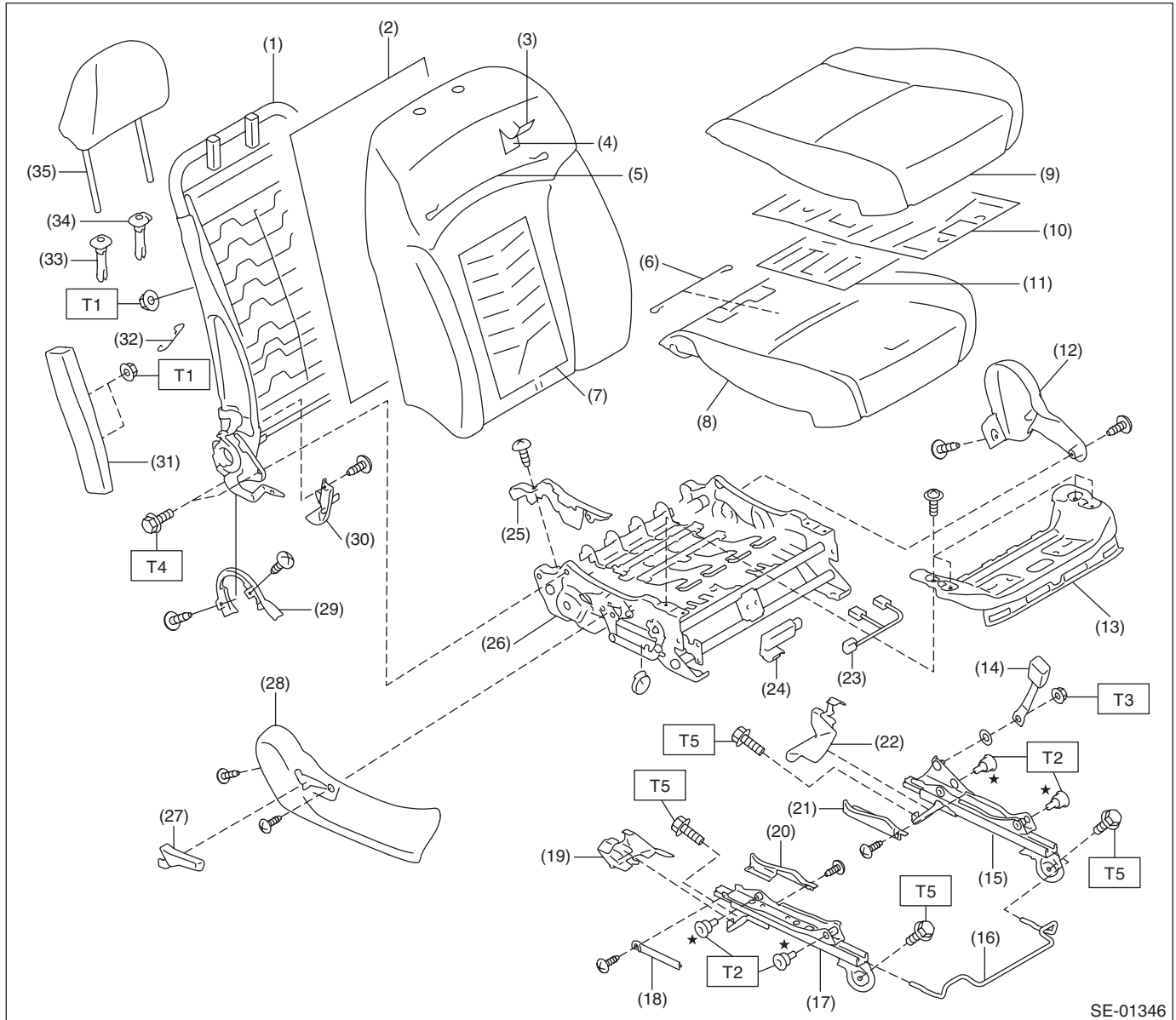
SEATS

(1) Pad ASSY - front seat backrest	(15) Cover - hinge front seat OUT	(29) Pad ASSY - front seat cushion
(2) Cover COMPL - front backrest	(16) Lever - reclining	(30) Heater unit - front seat backrest
(3) Cover - silencer front seat backrest	(17) Cap - lifter lever	(31) Wire set - front seat cushion
(4) Wire set - front seat backrest	(18) Knob - lifter	(32) Heater unit - front seat cushion
(5) Frame ASSY - front backrest	(19) Cover - bolt rear OUT	(33) Cover - front cushion
(6) Headrest ASSY - front	(20) Cover - slide rail OUT	
(7) Bushing - lock headrest	(21) Cover - slide rail OUT	<hr/> Tightening torque: N·m (kgf·m, ft·lb)
(8) Bushing - free headrest	(22) Slide rail ASSY - OUT	T1: 6 (0.61, 4.4)
(9) Hook - backrest front	(23) Lever - towel bar	T2: 15 (1.53, 11.1)
(10) Side airbag module LH	(24) Slide rail ASSY - INN	T3: 38 (3.87, 28.0)
(11) Cover - inner front	(25) Cover - bolt rear INN	T4: 52 (5.30, 38.4)
(12) Cover - frame front cushion	(26) Seat belt inner - front	T5: 53 (5.40, 39.1)
(13) Frame ASSY - front cushion	(27) Panel - front seat	<hr/>
(14) Cover - hinge base front seat	(28) Cover - hinge front seat INN	

General Description

SEATS

• Manual seat RH



- | | | |
|--|---|------------------------------------|
| (1) Frame ASSY - front backrest | (15) Slide rail ASSY - INN | (28) Cover - hinge front seat OUT |
| (2) Cover - silencer front seat backrest | (16) Lever - towel bar | (29) Cover - hinge base front seat |
| (3) Cover COMPL - front backrest | (17) Slide rail ASSY - OUT | (30) Cover - inner front |
| (4) Pad ASSY - front seat backrest | (18) Cover - slide rail OUT | (31) Side airbag module RH |
| (5) Wire set - front seat backrest | (19) Cover - bolt rear OUT | (32) Hook - backrest front |
| (6) Wire set - front seat cushion | (20) Cover - slide rail OUT | (33) Bushing - lock headrest |
| (7) Heater unit - front seat backrest | (21) Cover - slide rail INN | (34) Bushing - free headrest |
| (8) Pad ASSY - front seat cushion | (22) Cover - bolt rear INN | (35) Headrest ASSY - front |
| (9) Cover - front cushion | (23) Harness - occupant detection sensor | |
| (10) Heater unit - front cushion | (24) Control unit - occupant detection sensor | |
| (11) Occupant detection sensor | (25) Cover - frame front seat cushion | |
| (12) Cover - hinge front seat INN | (26) Frame ASSY - front seat cushion | |
| (13) Panel - front seat | (27) Lever - reclining | |
| (14) Seat belt inner - front | | |

Tightening torque: N-m (kgf-m, ft-lb)

T1: 6 (0.61, 4.4)

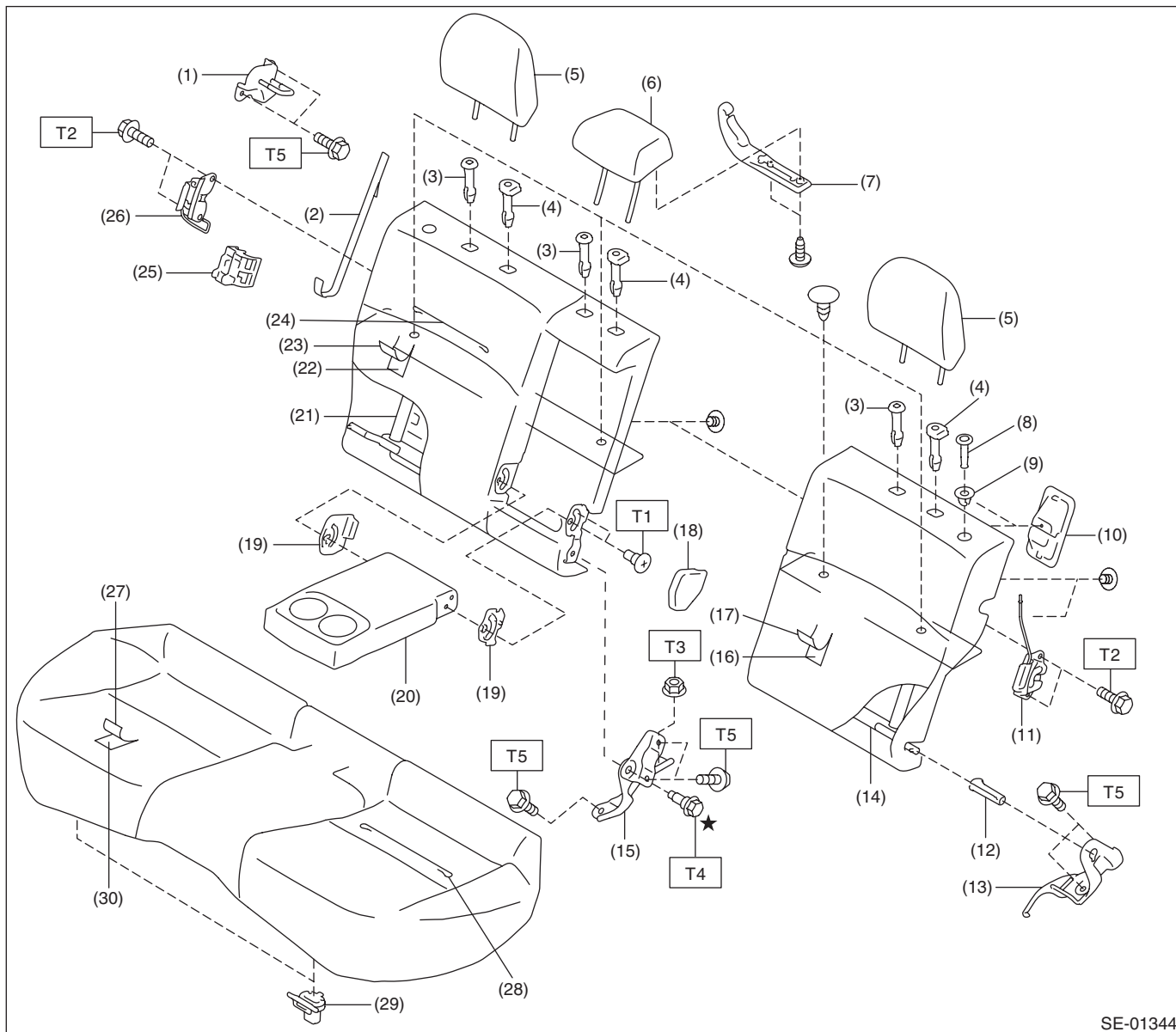
T2: 15 (1.53, 11.1)

T3: 38 (3.87, 28.0)

T4: 52 (5.30, 38.4)

T5: 53 (5.40, 39.1)

2. REAR SEAT



SE-01344

- | | | |
|--|--|--|
| (1) Striker - backrest rear RH | (14) Frame ASSY - rear backrest LH | (27) Cover - rear cushion |
| (2) Knob - strap (4 door model) | (15) Hinge ASSY - backrest center | (28) Wire set - rear cushion |
| (3) Bushing - headrest | (16) Pad ASSY - rear seat backrest LH | (29) Hook - seat cushion rear |
| (4) Bushing - lock ASSY | (17) Cover COMPL - rear backrest LH | (30) Pad and frame ASSY - rear cushion |
| (5) Headrest ASSY - rear backrest | (18) Cover - armrest | |
| (6) Headrest ASSY - rear center | (19) Bushing - rear armrest | |
| (7) Belt guide - rear seat (5 door model/XV model) | (20) Armrest ASSY - rear center | |
| (8) Knob - backrest rear | (21) Frame ASSY - rear backrest RH | |
| (9) Knob - guide | (22) Pad ASSY - rear seat backrest RH | |
| (10) Tether anchor cover | (23) Cover COMPL - rear backrest RH | |
| (11) Lock ASSY - backrest rear LH | (24) Wire set - rear backrest | |
| (12) Bushing - backrest hinge | (25) Knob - strap guide (4 door model) | |
| (13) Hinge ASSY - rear backrest | (26) Lock ASSY - backrest rear RH | |

Tightening torque: N·m (kgf·m, ft·lb)

T1: 14.7 (1.5, 10.8)

T2: 22.5 (2.3, 16.6)

T3: 24.5 (2.5, 18.1)

T4: 28.9 (2.9, 21.3)

T5: 33 (3.4, 24.3)

General Description

SEATS

B: CAUTION

When removing the front seat from the vehicle, refer to “CAUTION” of “General Description” in “AIRBAG SYSTEM” section. <Ref. to AB-11, CAUTION, General Description.>

C: PREPARATION TOOL

1. GENERAL TOOL

TOOL NAME	REMARKS
Long nose plier	Used for removing the hog ring.
Hog ring pliers	Used for installing the hog ring.
Circuit tester	Used for measuring resistance and voltage.