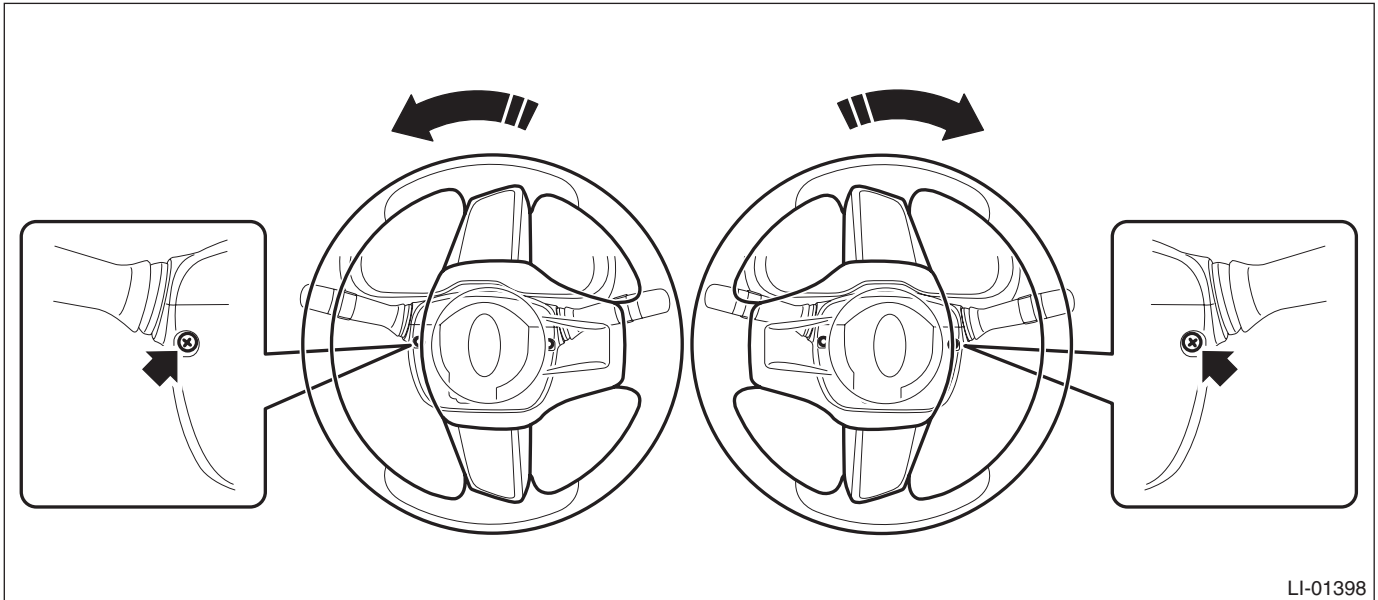


## 18.Key Lock Cylinders

### A: REPLACEMENT

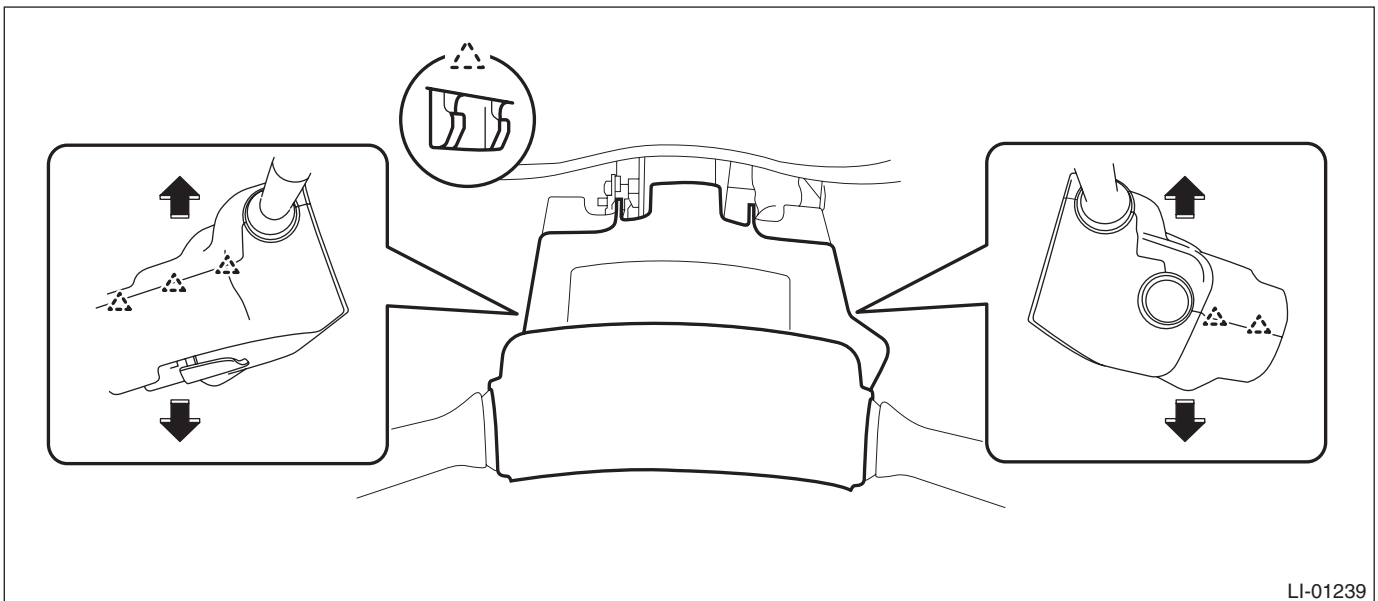
#### 1. STEERING LOCK

- 1) Disconnect the ground cable from battery.
- 2) Remove the cover assembly - column.
  - (1) Remove the screws by turning the steering wheel to right and left.



LI-01398

- (2) Release the claw, and remove the cover assembly - column UPR and the cover assembly - column LWR.

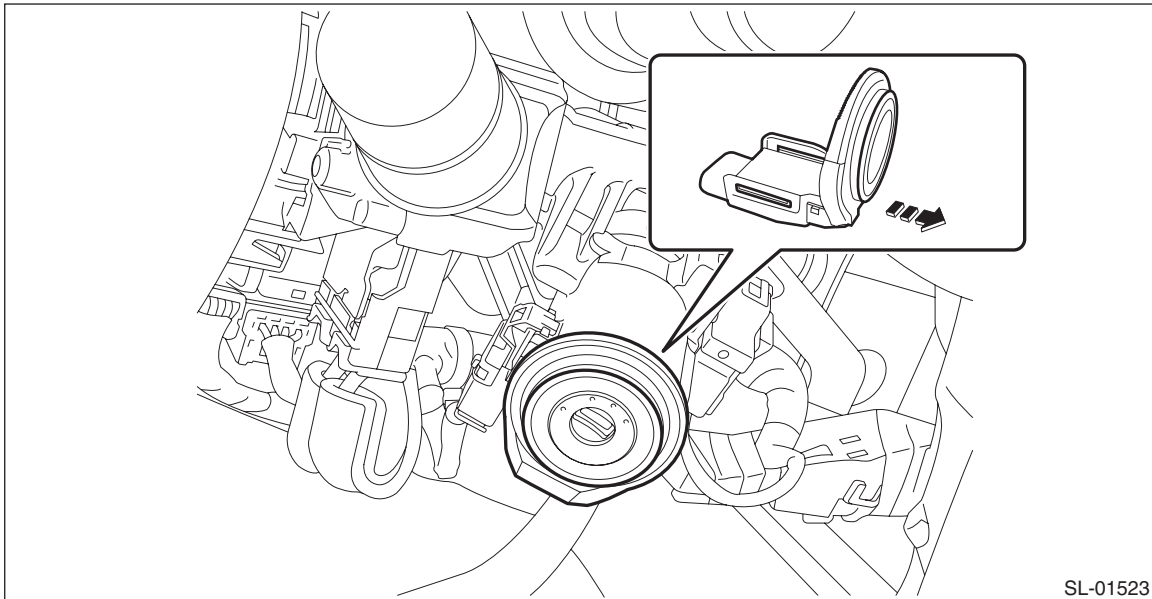


LI-01239

3) Disconnect the connector and remove the immobilizer antenna assembly.

**CAUTION:**

**Do not apply excessive force to remove the immobilizer antenna and lock. Otherwise they may be broken because those parts are the products made of a plastic.**

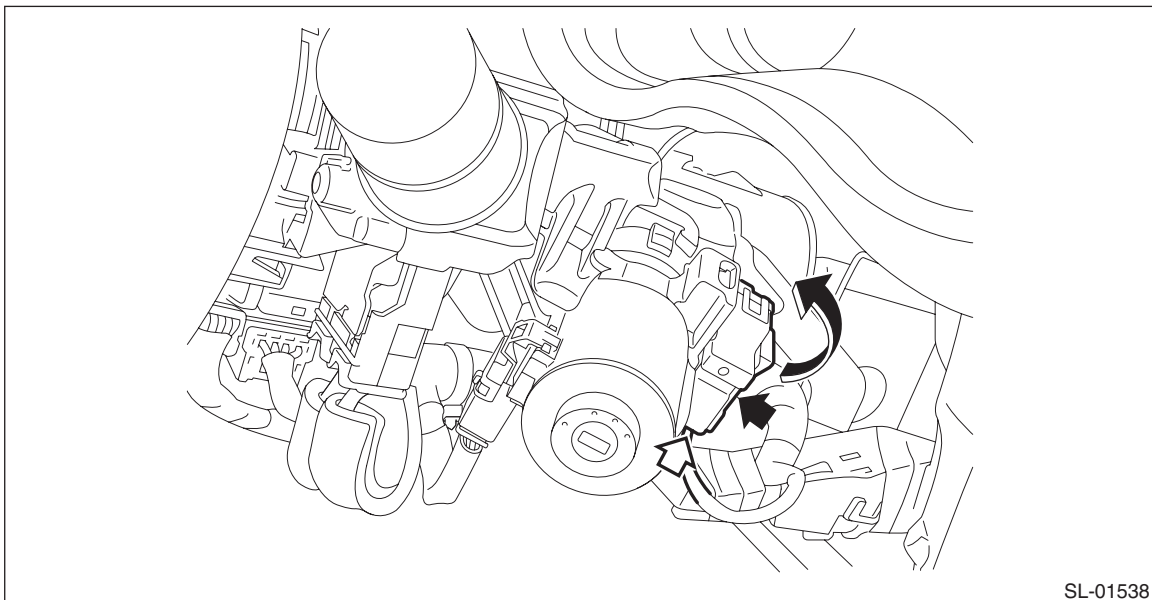


SL-01523

4) Remove the key lock solenoid.

(1) Disconnect the connector.

(2) Remove the screws and remove the key lock solenoid.



SL-01538

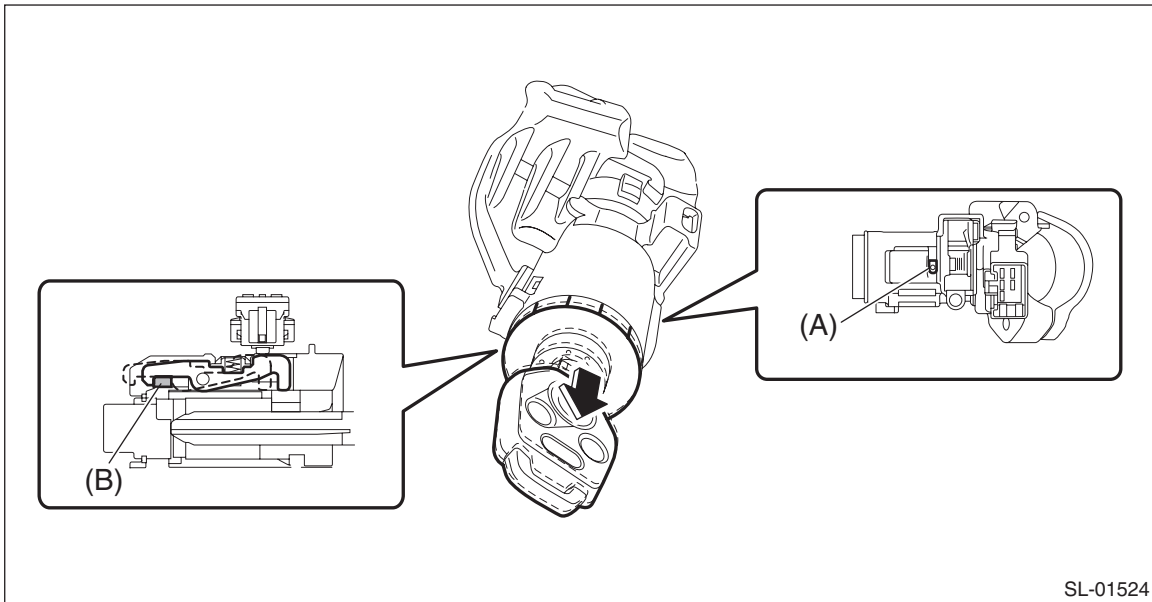
# Key Lock Cylinders

## SECURITY AND LOCKS

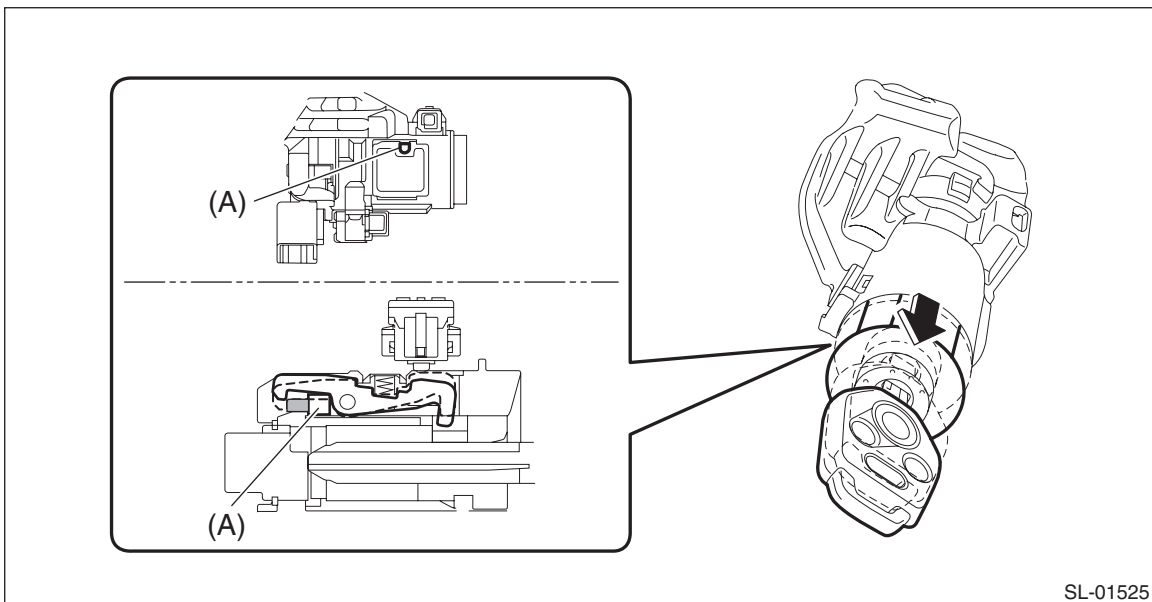
### 5) Replace the key cylinder.

(1) Insert the key into the key cylinder, and turn the key to the ACC position.

(2) Insert a flat tip screwdriver from the steering lock frame hole (A), and pull the key cylinder until the key cylinder claws touch the steering lock frame stopper (B).



(3) Insert a flat tip screwdriver from the steering lock frame hole (A), and release the claws to pull out the key cylinder.



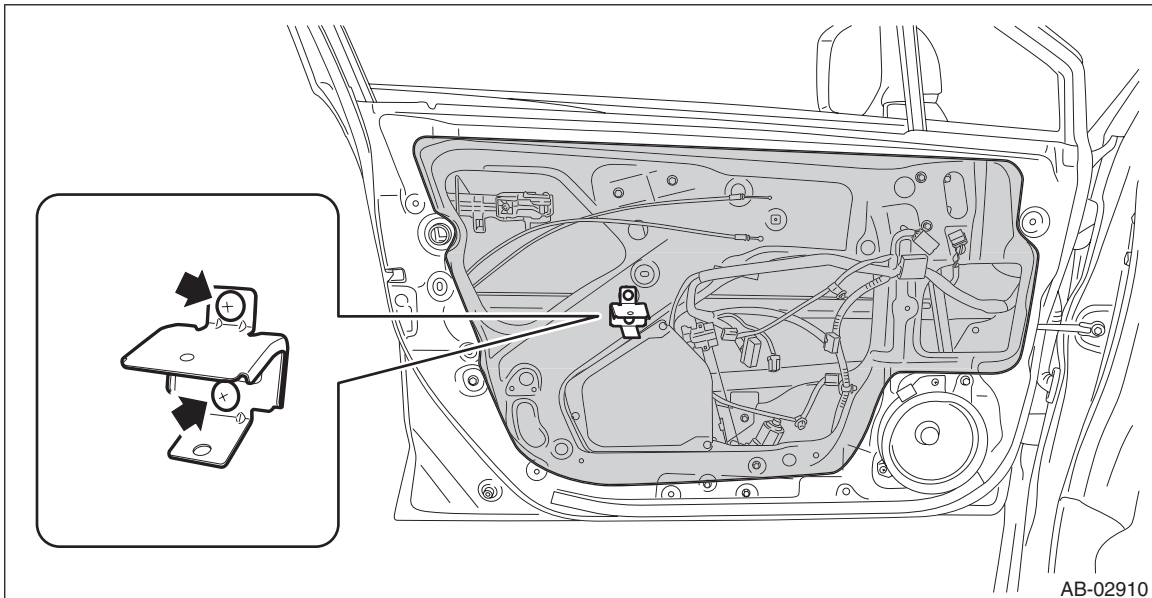
6) Install each part in the reverse order of removal.

## 2. FRONT DOOR

- 1) Raise the glass assembly - front door to the top position.
- 2) Remove the trim panel - front door. <Ref. to EI-61, FRONT DOOR, REMOVAL, Door Trim.>
- 3) Remove the sealing cover - front door.

### CAUTION:

- Carefully remove the butyl tape. Excessive force will easily break the sealing cover - front door.
- If the sealing cover - front door gets broken, replace it with a new part.
  - (1) Remove the screw to remove the bracket - door trim front.
  - (2) Disconnect connectors.
  - (3) Carefully remove the butyl tape to remove the sealing cover - front door.

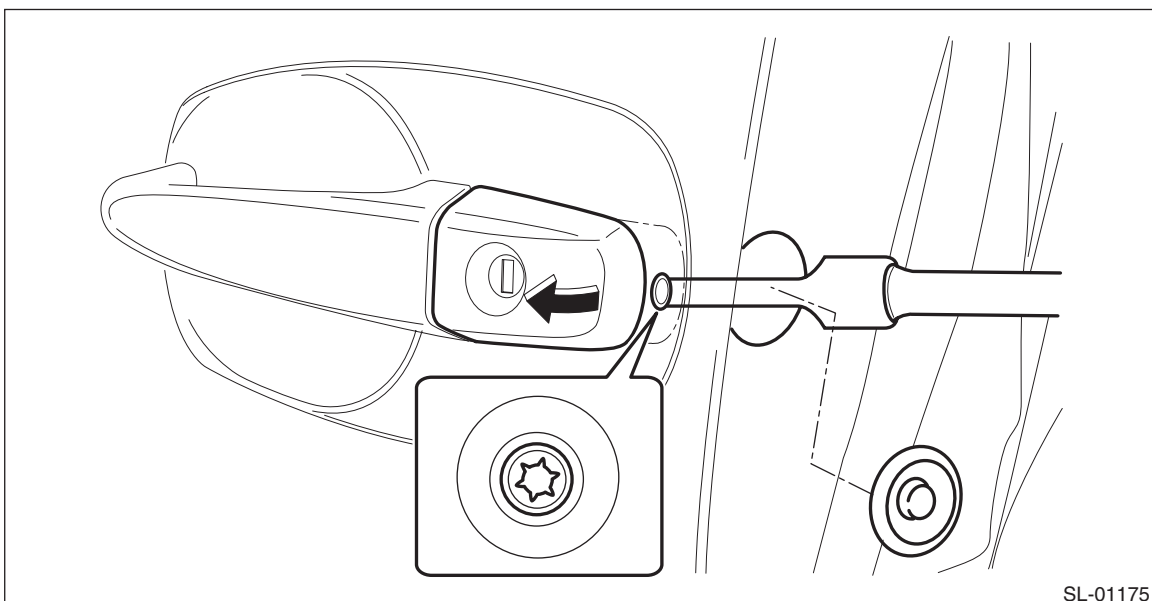


- 4) Remove the cover - handle front outer.

### PREPARATION TOOL:

#### TORX® T30

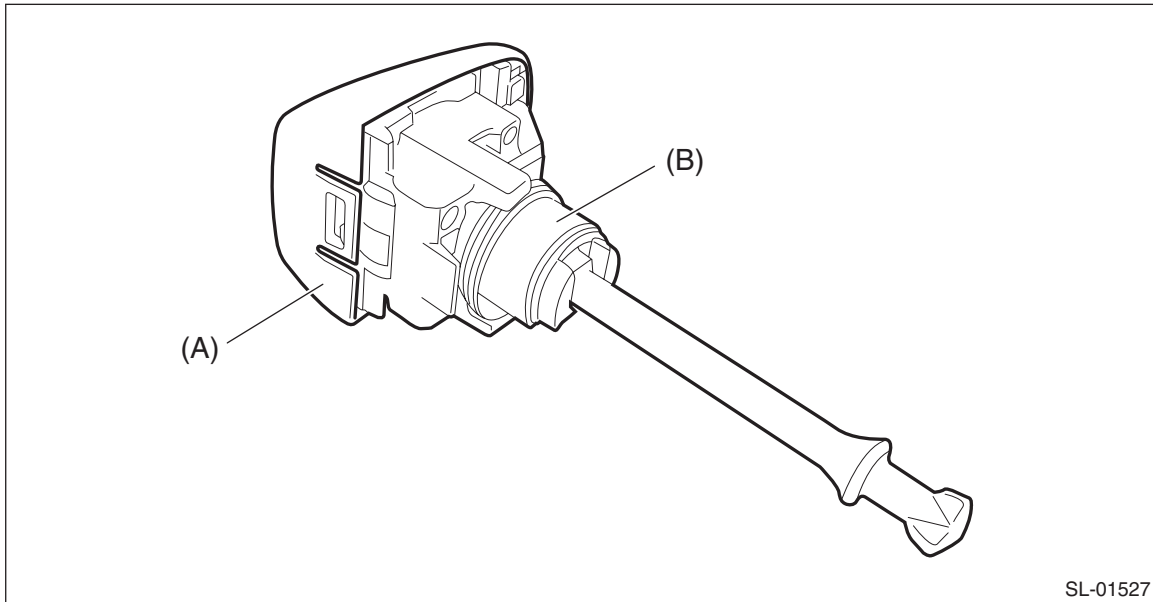
- (1) Remove the plug at the rear end of the panel assembly - front door.
- (2) Loosen the TORX® bolt and remove the cover - handle front outer.



# Key Lock Cylinders

## SECURITY AND LOCKS

5) Remove the key cylinder (B) from the cover - handle front outer (A), and replace the key cylinder.



6) Install each part in the reverse order of removal.

### **Tightening torque:**

**Refer to “COMPONENT” of “General Description”. <Ref. to SL-2, DOOR LOCK ASSEMBLY, COMPONENT, General Description.>**

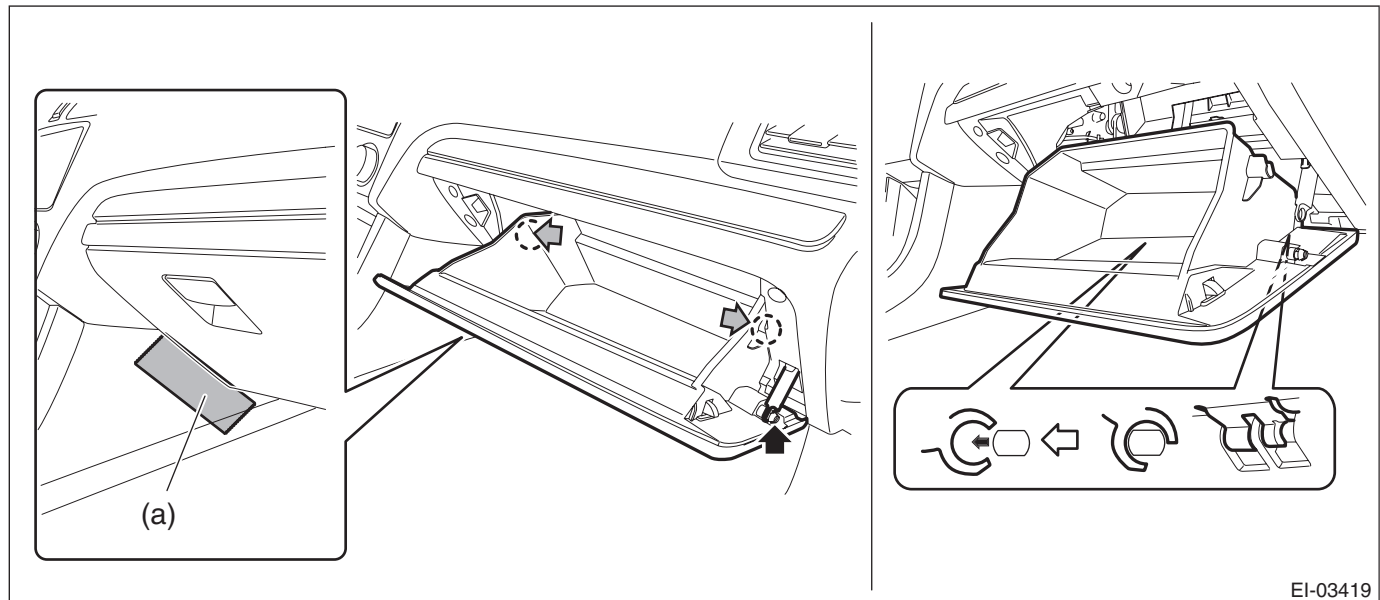
## 3. GLOVE BOX LID

1) Remove the pocket assembly.

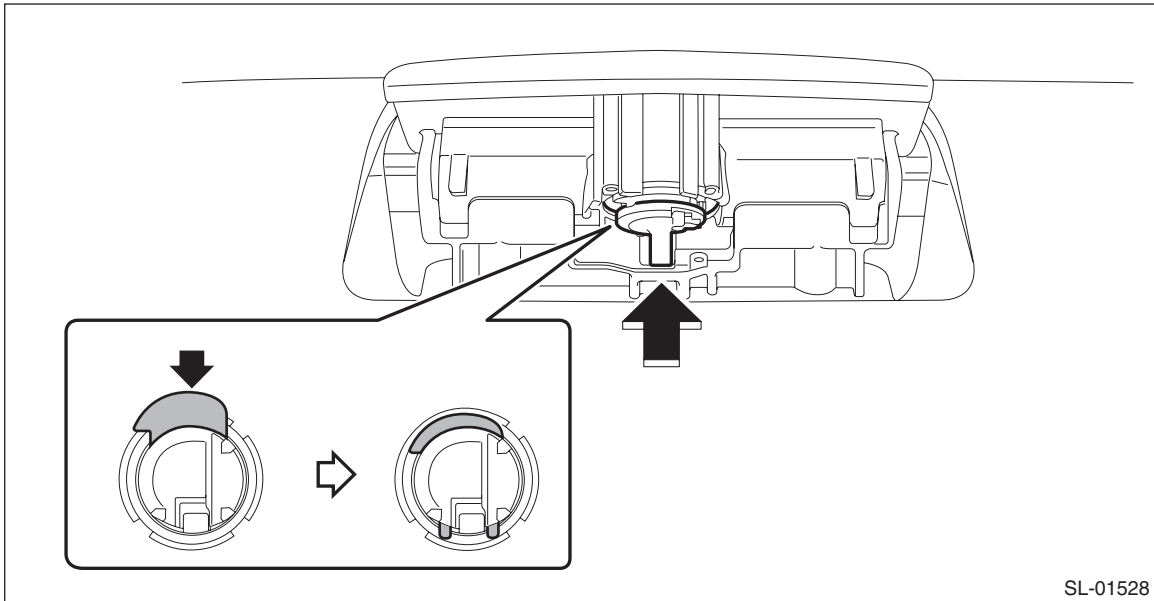
(1) Attach the protective tape (a) to the panel center LWR.

(2) Remove the damper COMPL - pocket.

(3) Release the stoppers and remove the pocket assembly by pulling it toward you.



- 2) Replace the key cylinder.
  - (1) Pull up the lock knob.
  - (2) Push out the key cylinder from the pocket assembly while pressing in the metal plate.



SL-01528

- 3) Install each part in the reverse order of removal.