

Glass Lid

SUNROOF/T-TOP/CONVERTIBLE TOP (SUNROOF)

4. Glass Lid

A: REMOVAL

1. GLASS LID

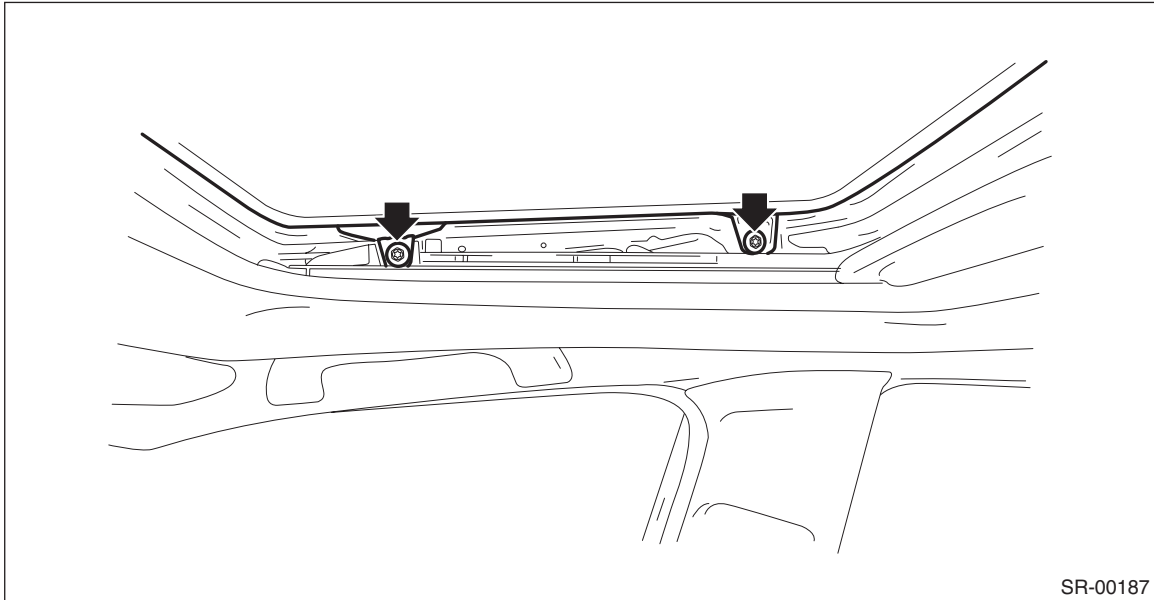
- 1) Completely close the lid assembly - sunroof, and open the sunshade assembly.
- 2) Remove the TORX[®] bolt, and then remove the lid assembly - sunroof.

CAUTION:

Be careful not to damage the lid assembly - sunroof.

PREPARATION TOOL:

TORX[®] T25

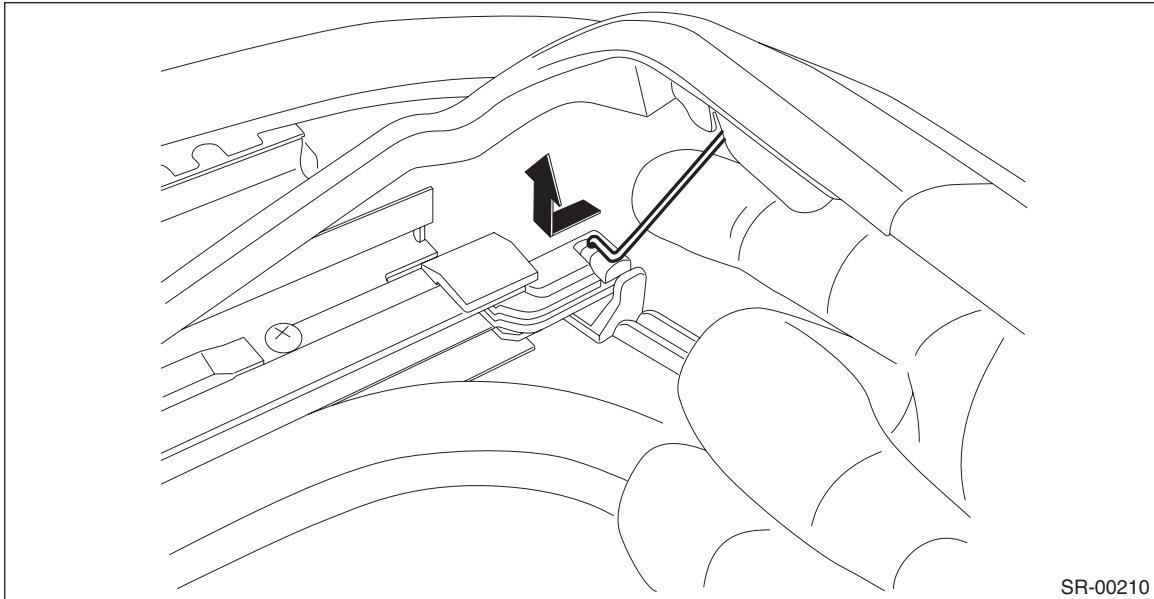


Glass Lid

SUNROOF/T-TOP/CONVERTIBLE TOP (SUNROOF)

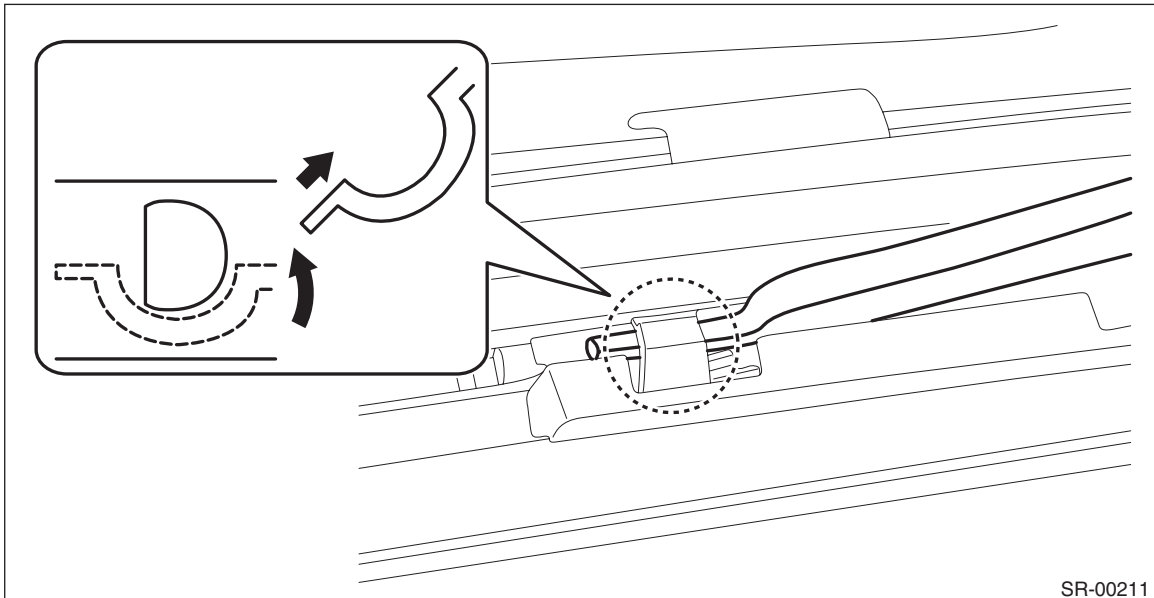
2. DEFLECTOR ASSEMBLY

- 1) Open the lid assembly - sunroof and the sunshade assembly.
- 2) Remove the deflector assembly - sunroof.
 - (1) Remove the spring from the rail assembly - sunroof.



SR-00210

- (2) While lifting up the deflector assembly - sunroof, remove the deflector assembly - sunroof from the hook on the rail assembly - sunroof.



SR-00211

B: INSTALLATION

1. GLASS LID

Install each part in the reverse order of removal.

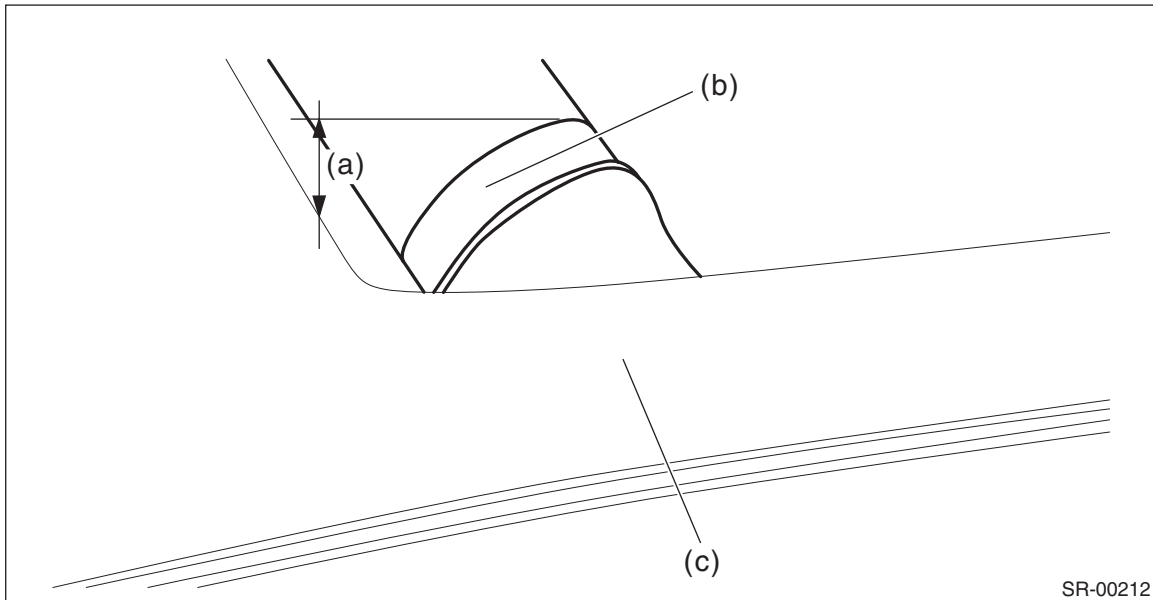
Tightening torque:

Refer to “COMPONENT” of “General Description”. <Ref. to SR-2, COMPONENT, General Description.>

2. DEFLECTOR ASSEMBLY

1) Install each part in the reverse order of removal.

2) After installation, measure the height from the roof panel when deflector assembly - sunroof is activated.



(a) 14 mm (0.55 in)

(b) Deflector ASSY - sunroof

(c) Roof panel

Glass Lid

SUNROOF/T-TOP/CONVERTIBLE TOP (SUNROOF)

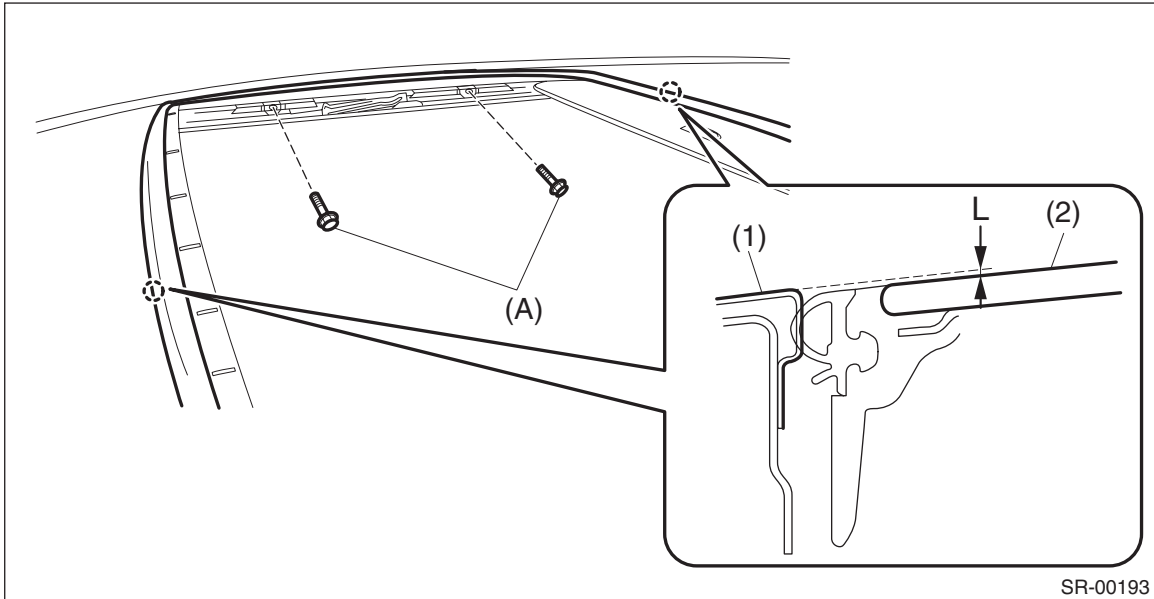
C: ADJUSTMENT

Adjust the height of the lid assembly - sunroof and the roof panel.

- Loosen the lid assembly - sunroof mounting bolts (A), and then adjust the height by moving the lid assembly - sunroof side.

Lid assembly - sunroof height difference L:

Lid assembly - sunroof to Roof panel: 0.7 ± 1.0 mm (0.03 ± 0.04 in)



(1) Roof panel

(2) Lid ASSY - sunroof

Glass Lid

SUNROOF/T-TOP/CONVERTIBLE TOP (SUNROOF)

D: FORCED DRIVE

If the lid assembly - sunroof does not operate or the motor assembly is not supplied with power, move the lid assembly - sunroof using the hexagon wrench.

PREPARATION TOOL:

Hexagon wrench: width across flat 4 mm (0.16 in)

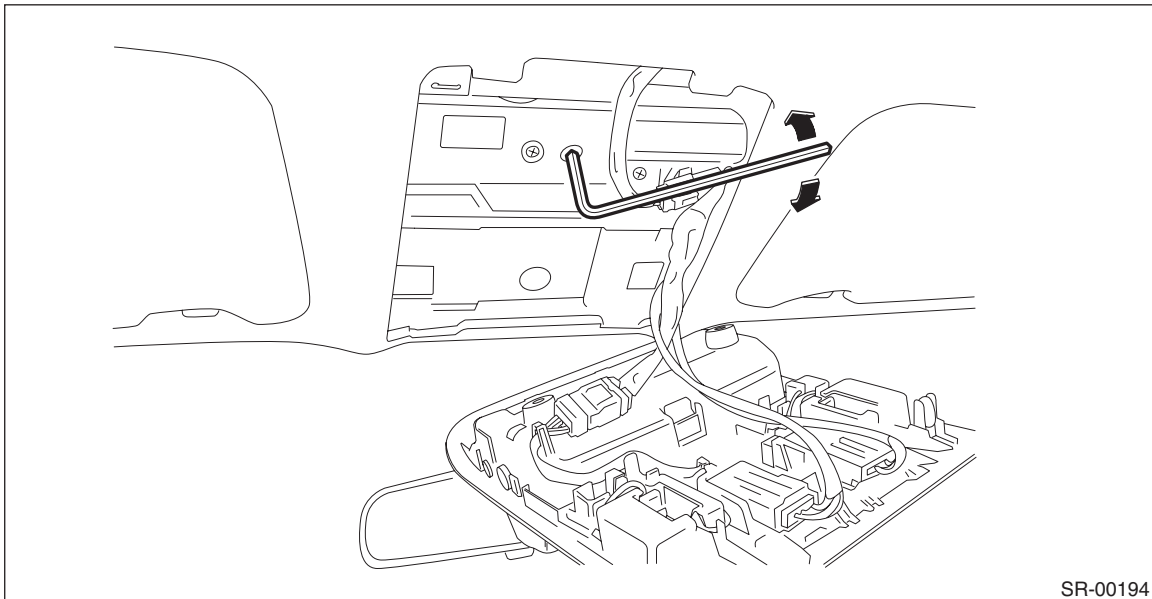
CAUTION:

After a forced operation, make sure to perform an initialize operation. <Ref. to SR-6, INITIALIZE OPERATION, OPERATION, Sunroof Control System.>

- 1) Remove the light assembly - map. <Ref. to LI-78, REMOVAL, Spot Map Light.>
- 2) Insert the hexagon wrench securely until it touches the motor shaft end.
- 3) Turn the hexagon wrench, and move the lid assembly - sunroof.
 - Turning right, the lid assembly - sunroof opens.
 - Turning left, the lid assembly - sunroof closes.

CAUTION:

Be careful not to damage the adjacent parts with the rod end when moving the lid assembly - sunroof with the hexagon wrench.



SR-00194