

Sunshade

SUNROOF/T-TOP/CONVERTIBLE TOP (SUNROOF)

8. Sunshade

A: REMOVAL

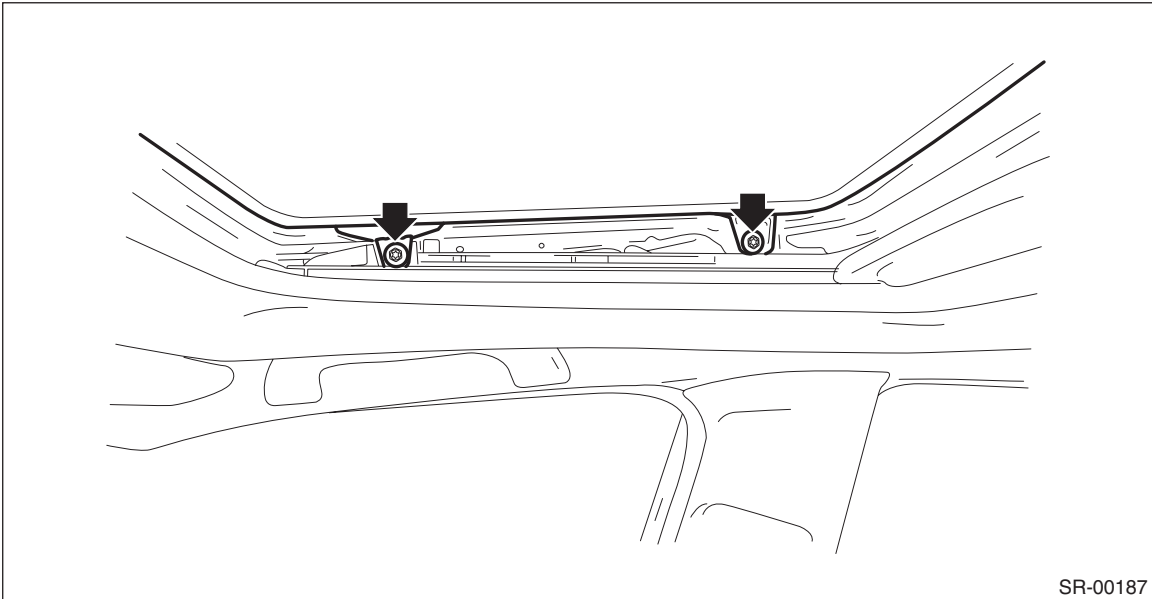
- 1) Remove the lid assembly - sunroof.
 - (1) Completely close the lid assembly - sunroof, and open the sunshade assembly.
 - (2) Remove the TORX[®] bolt, and then remove the lid assembly - sunroof.

CAUTION:

Be careful not to damage the lid assembly - sunroof.

PREPARATION TOOL:

TORX[®] T25



SR-00187

- 2) Remove the trim panel - roof assembly. <Ref. to EI-121, REMOVAL, Roof Trim.>

Sunshade

SUNROOF/T-TOP/CONVERTIBLE TOP (SUNROOF)

3) Remove the sunshade assembly.

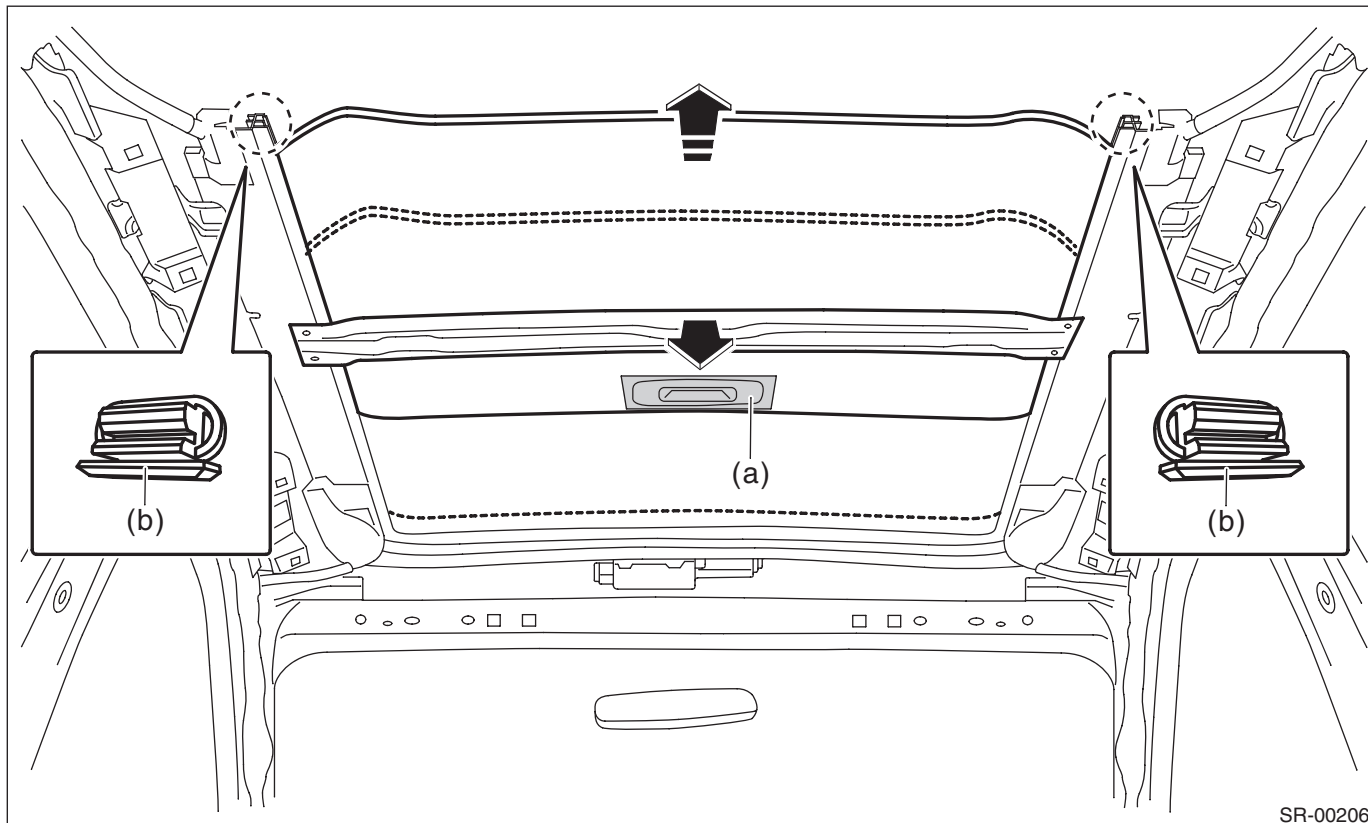
(1) Attach protective tape (a) on the handle of sunshade assembly.

(2) Remove the left and right stoppers (b).

(3) Remove the sunshade assembly while pulling the center of the brace downward.

CAUTION:

Be careful not to damage the sunshade assembly.



B: INSTALLATION

Install each part in the reverse order of removal.

Tightening torque:

Refer to "COMPONENT" of "General Description". <Ref. to SR-2, COMPONENT, General Description.>

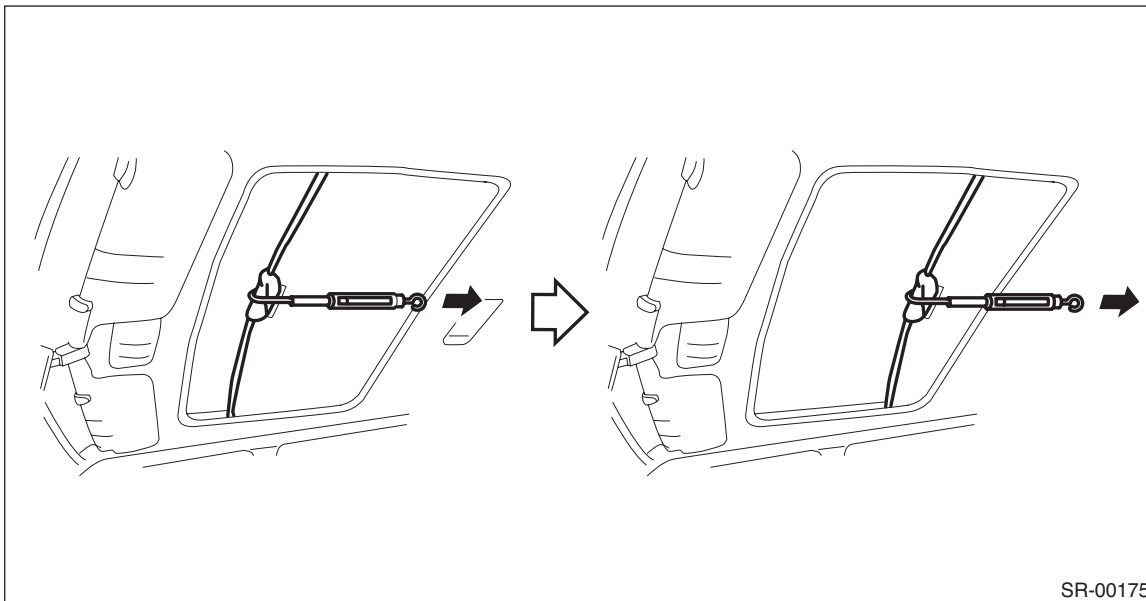
C: INSPECTION

1. MOVING LOAD OF SUNSHADE ASSEMBLY

- 1) Attach a spring scale together with a cloth to the edge of sunshade assembly.
- 2) Pull the spring scale to check the moving load of the sunshade assembly.

Moving load of sunshade assembly:

14 ± 6 N (1.43 kgf, 3.1 lbf ± 0.61 kgf, 1.3 lbf)



NOTE:

Moving load is larger at the beginning of pulling a spring scale, so take a spring scale reading while the sunshade assembly is sliding smoothly.

- 3) If the inspection result exceeds the standard, check the sunshade assembly or the rail assembly - sunroof for improper installation, and replace if necessary.

Sunshade

SUNROOF/T-TOP/CONVERTIBLE TOP (SUNROOF)

EXTERIOR/INTERIOR TRIM



	Page
1. General Description	2
2. Front Under Cover	27
3. Mud Guard	28
4. Floor Under Protector	29
5. Fuel Tank Protector	30
6. Front Grille	31
7. Front Bumper	34
8. Rear Bumper	45
9. Cowl Panel	53
10. Side Sill Spoiler	56
11. Roof Molding	57
12. Roof Rail	60
13. Door Trim	61
14. Instrument Panel Lower Cover	65
15. Glove Box	67
16. Center Console	69
17. Console Box	71
18. Instrument Panel Assembly	74
19. Lower Inner Trim	95
20. Upper Inner Trim	100
21. Rear Quarter Trim	105
22. Rear Shelf Trim	112
23. Trunk Room Trim	117
24. Sun Visor	119
25. Assist Grip	120
26. Roof Trim	121
27. Rear Gate Trim	147
28. Floor Mat	149
29. Trunk Lid Garnish	151
30. Rear Gate Garnish	152
31. Heat Shield Cover	155
32. Ornament	156