

Diagnostic Chart with Trouble Code

AIRBAG SYSTEM (DIAGNOSTICS)

16.Diagnostic Chart with Trouble Code

A: DTC U0073 CONTROL MODULE COMMUNICATION BUS “A” OFF

This is detected when a CAN line malfunction occurs.

NOTE:

Perform the diagnosis for LAN system. <Ref. to LAN(diag)-2, PROCEDURE, Basic Diagnostic Procedure.>

Diagnostic Chart with Trouble Code

AIRBAG SYSTEM (DIAGNOSTICS)

B: DTC B1000 AIRBAG ECU MALFUNCTION

DTC DETECTING CONDITION:

Airbag control module is faulty.

CAUTION:

Before performing diagnosis, refer to “CAUTION” in “General Description”. <Ref. to AB(diag)-4, CAUTION, General Description.>

Step	Check	Yes	No
1 CHECK DTC. Read the DTC. (Current malfunction) <Ref. to AB(diag)-27, Read Diagnostic Trouble Code (DTC).>	Is any of B1000, B1003, B1105, B1106, B1115, B1116, B1120, B1121, B1125, B1126, B1135, B1136, B1145, B1146, B1170, B1185, B1195, B1196 or B1199 displayed?	Replace the airbag control module. <Ref. to AB-77, Airbag Control Module.>	Perform the Clear Memory Mode. <Ref. to AB(diag)-29, Clear Memory Mode.>

C: DTC B1003 AIRBAG ECU MALFUNCTION

NOTE:

Refer to DTC B1103 for details on DTC B1000. <Ref. to AB(diag)-45, DTC B1000 AIRBAG ECU MALFUNCTION, Diagnostic Chart with Trouble Code.>

D: DTC B1105 AIRBAG ECU MALFUNCTION

NOTE:

Refer to DTC B1105 for details on DTC B1000. <Ref. to AB(diag)-45, DTC B1000 AIRBAG ECU MALFUNCTION, Diagnostic Chart with Trouble Code.>

E: DTC B1106 AIRBAG ECU MALFUNCTION

NOTE:

Refer to DTC B1106 for details on DTC B1000. <Ref. to AB(diag)-45, DTC B1000 AIRBAG ECU MALFUNCTION, Diagnostic Chart with Trouble Code.>

F: DTC B1115 AIRBAG ECU MALFUNCTION

NOTE:

Refer to DTC B1115 for details on DTC B1000. <Ref. to AB(diag)-45, DTC B1000 AIRBAG ECU MALFUNCTION, Diagnostic Chart with Trouble Code.>

G: DTC B1116 AIRBAG ECU MALFUNCTION

NOTE:

Refer to DTC B1116 for details on DTC B1000. <Ref. to AB(diag)-45, DTC B1000 AIRBAG ECU MALFUNCTION, Diagnostic Chart with Trouble Code.>

Diagnostic Chart with Trouble Code

AIRBAG SYSTEM (DIAGNOSTICS)

H: DTC B1120 AIRBAG ECU MALFUNCTION

NOTE:

Refer to DTC B1120 for details on DTC B1000. <Ref. to AB(diag)-45, DTC B1000 AIRBAG ECU MALFUNCTION, Diagnostic Chart with Trouble Code.>

I: DTC B1121 AIRBAG ECU MALFUNCTION

NOTE:

Refer to DTC B1121 for details on DTC B1000. <Ref. to AB(diag)-45, DTC B1000 AIRBAG ECU MALFUNCTION, Diagnostic Chart with Trouble Code.>

J: DTC B1125 AIRBAG ECU MALFUNCTION

NOTE:

Refer to DTC B1125 for details on DTC B1000. <Ref. to AB(diag)-45, DTC B1000 AIRBAG ECU MALFUNCTION, Diagnostic Chart with Trouble Code.>

K: DTC B1126 AIRBAG ECU MALFUNCTION

NOTE:

Refer to DTC B1126 for details on DTC B1000. <Ref. to AB(diag)-45, DTC B1000 AIRBAG ECU MALFUNCTION, Diagnostic Chart with Trouble Code.>

L: DTC B1135 AIRBAG ECU MALFUNCTION

NOTE:

Refer to DTC B1135 for details on DTC B1000. <Ref. to AB(diag)-45, DTC B1000 AIRBAG ECU MALFUNCTION, Diagnostic Chart with Trouble Code.>

M: DTC B1136 AIRBAG ECU MALFUNCTION

NOTE:

Refer to DTC B1136 for details on DTC B1000. <Ref. to AB(diag)-45, DTC B1000 AIRBAG ECU MALFUNCTION, Diagnostic Chart with Trouble Code.>

N: DTC B1145 AIRBAG ECU MALFUNCTION

NOTE:

Refer to DTC B1145 for details on DTC B1000. <Ref. to AB(diag)-45, DTC B1000 AIRBAG ECU MALFUNCTION, Diagnostic Chart with Trouble Code.>

O: DTC B1146 AIRBAG ECU MALFUNCTION

NOTE:

Refer to DTC B1146 for details on DTC B1000. <Ref. to AB(diag)-45, DTC B1000 AIRBAG ECU MALFUNCTION, Diagnostic Chart with Trouble Code.>

P: DTC B1170 AIRBAG ECU MALFUNCTION

NOTE:

Refer to DTC B1170 for details on DTC B1000. <Ref. to AB(diag)-45, DTC B1000 AIRBAG ECU MALFUNCTION, Diagnostic Chart with Trouble Code.>

Q: DTC B1185 AIRBAG ECU MALFUNCTION

NOTE:

Refer to DTC B1185 for details on DTC B1000. <Ref. to AB(diag)-45, DTC B1000 AIRBAG ECU MALFUNCTION, Diagnostic Chart with Trouble Code.>

R: DTC B1195 AIRBAG ECU MALFUNCTION

NOTE:

Refer to DTC B1195 for details on DTC B1000. <Ref. to AB(diag)-45, DTC B1000 AIRBAG ECU MALFUNCTION, Diagnostic Chart with Trouble Code.>

S: DTC B1196 AIRBAG ECU MALFUNCTION

NOTE:

Refer to DTC B1196 for details on DTC B1000. <Ref. to AB(diag)-45, DTC B1000 AIRBAG ECU MALFUNCTION, Diagnostic Chart with Trouble Code.>

T: DTC B1199 AIRBAG ECU MALFUNCTION

NOTE:

Refer to DTC B1199 for details on DTC B1000. <Ref. to AB(diag)-45, DTC B1000 AIRBAG ECU MALFUNCTION, Diagnostic Chart with Trouble Code.>

U: DTC B11E0 ROLLOVER IGNITION

This DTC is indicated when the curtain airbag module and the seat belt pretensioner are deployed. Once this DTC is displayed, the memory cannot be cleared. Replace the following parts.

- Airbag control module <Ref. to AB-77, Airbag Control Module.>
- Curtain airbag module <Ref. to AB-74, Curtain Airbag Module.>
- Front outer seat belt with pretensioner <Ref. to SB-16, Front Seat Belt.>

V: DTC B11F2 FRONT IMPACT IGNITION

DTC DETECTING CONDITION:

This DTC is indicated when the front airbag module and the pretensioner are deployed. Once this DTC is displayed, the memory cannot be cleared. Therefore replace the following parts.

- Airbag control module <Ref. to AB-77, Airbag Control Module.>
- Driver's airbag module <Ref. to AB-42, Driver's Airbag Module.>
- Passenger's airbag module <Ref. to AB-47, Passenger's Airbag Module.>
- Front sub sensor of both sides. <Ref. to AB-81, Front Sub Sensor.>
- Front outer seat belt with pretensioner of both sides. <Ref. to SB-16, Front Seat Belt.>
- Steering roll connector <Ref. to AB-104, Roll Connector.>
- Occupant detection system (passenger's seat cushion & frame assembly) <Ref. to SE-7, Front Seat.>

W: DTC B11F3 FRONT IMPACT IGNITION

NOTE:

For details on DTC B11F3, refer to DTC B11F2. <Ref. to AB(diag)-47, DTC B11F2 FRONT IMPACT IGNITION, Diagnostic Chart with Trouble Code.>

X: DTC B11F4 FRONT IMPACT IGNITION

NOTE:

For details on DTC B11F4, refer to DTC B11F2. <Ref. to AB(diag)-47, DTC B11F2 FRONT IMPACT IGNITION, Diagnostic Chart with Trouble Code.>

Y: DTC B11F5 FRONT IMPACT IGNITION

NOTE:

For details on DTC B11F5, refer to DTC B11F2. <Ref. to AB(diag)-47, DTC B11F2 FRONT IMPACT IGNITION, Diagnostic Chart with Trouble Code.>

Diagnostic Chart with Trouble Code

AIRBAG SYSTEM (DIAGNOSTICS)

Z: DTC B11F7 SIDE IMPACT IGNITION

This DTC is displayed when the side airbag module and curtain airbag module are deployed. Once this DTC is displayed, the memory cannot be cleared. Replace the following parts.

- Airbag control module <Ref. to AB-77, Airbag Control Module.>
- Side airbag module (operating side) <Ref. to AB-66, Side Airbag Module.>
- Side airbag sensor (operating side) <Ref. to AB-88, Side Airbag Sensor.>
- Curtain airbag module (operating side) <Ref. to AB-74, Curtain Airbag Module.>
- Curtain airbag sensor (operating side) <Ref. to AB-93, Curtain Airbag Sensor.>
- Satellite safing sensor <Ref. to AB-101, Satellite Safing Sensor.>
- Front door impact sensor (operating side) <Ref. to AB-85, Front Door Impact Sensor.>

AA:DTC B11F8 SIDE IMPACT IGNITION

NOTE:

For details on DTC B11F8, refer to DTC B11F7. <Ref. to AB(diag)-48, DTC B11F7 SIDE IMPACT IGNITION, Diagnostic Chart with Trouble Code.>

AB:DTC B11F9 SIDE IMPACT IGNITION

NOTE:

For details on DTC B11F9, refer to DTC B11F7. <Ref. to AB(diag)-48, DTC B11F7 SIDE IMPACT IGNITION, Diagnostic Chart with Trouble Code.>

AC:DTC B11FA SIDE IMPACT IGNITION

NOTE:

For details on DTC B11FA, refer to DTC B11F7. <Ref. to AB(diag)-48, DTC B11F7 SIDE IMPACT IGNITION, Diagnostic Chart with Trouble Code.>

AD:DTC B11FB SIDE IMPACT IGNITION

NOTE:

For details on DTC B11FB, refer to DTC B11F7. <Ref. to AB(diag)-48, DTC B11F7 SIDE IMPACT IGNITION, Diagnostic Chart with Trouble Code.>

AE:DTC B11FC SIDE IMPACT IGNITION

NOTE:

For details on DTC B11FC, refer to DTC B11F7. <Ref. to AB(diag)-48, DTC B11F7 SIDE IMPACT IGNITION, Diagnostic Chart with Trouble Code.>

AF:DTC B1610 FRONT SUB SENSOR RH FAILURE

DTC DETECTING CONDITION:

Front sub sensor (RH) is faulty.

If DTC B1610 is displayed, the circuit within the front sub sensor (RH) is faulty.

Replace the front sub sensor (RH). <Ref. to AB-81, Front Sub Sensor.>

AG:DTC B1612 FRONT SUB SENSOR RH LOST COMMUNICATION

NOTE:

For details on DTC B1612, refer to DTC B1613. <Ref. to AB(diag)-49, DTC B1613 FRONT SUB SENSOR RH INITIALIZATION ERROR, Diagnostic Chart with Trouble Code.>

Diagnostic Chart with Trouble Code

AIRBAG SYSTEM (DIAGNOSTICS)

AH:DTC B1613 FRONT SUB SENSOR RH INITIALIZATION ERROR

DTC DETECTING CONDITION:

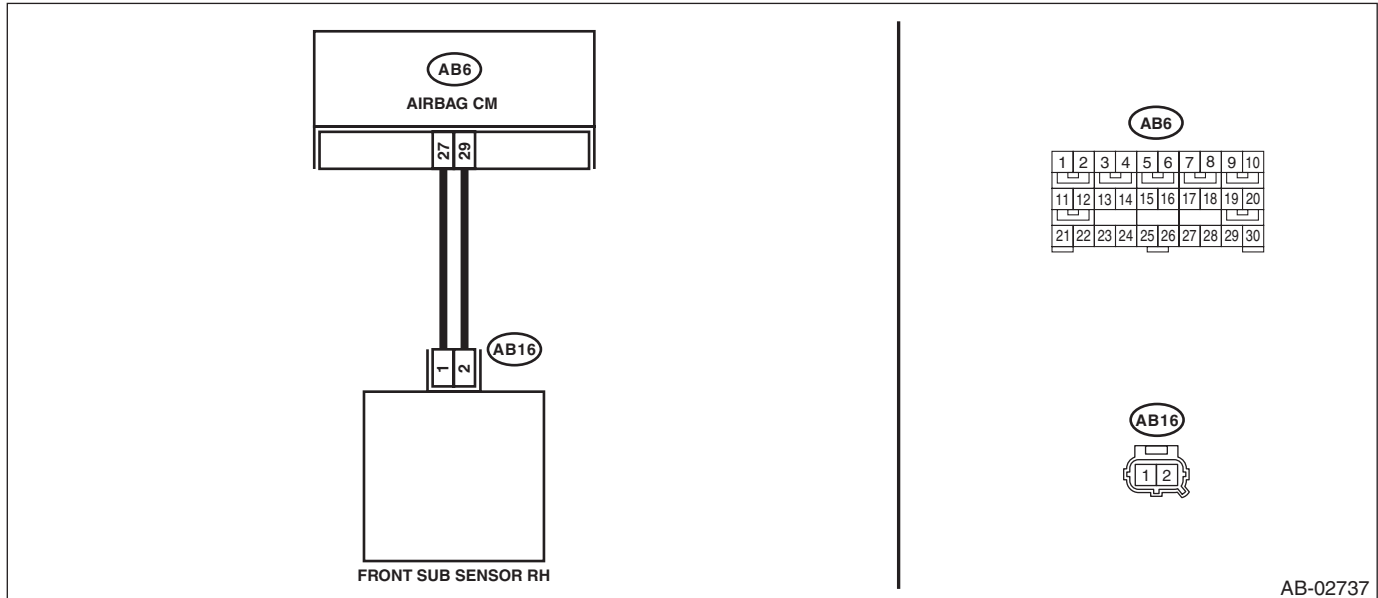
- Open or short circuit in harness of front sensor bus (RH).
- Front sub sensor (RH) is faulty.
- Airbag control module is faulty.

CAUTION:

Before performing diagnosis, refer to “CAUTION” in “General Description”. <Ref. to AB(diag)-4, CAUTION, General Description.>

WIRING DIAGRAM:

Airbag system <Ref. to WI-30, WIRING DIAGRAM, Airbag System.>



AB-02737

Step	Check	Yes	No
1	<p>CHECK POOR CONTACT OF CONNECTORS.</p> <p>Check for poor contact of the connectors (AB6, AB16) between the airbag control module and the front sub sensor (RH).</p>	Is there poor contact?	<p>Replace the airbag main harness along with body harness.</p> <p>Go to step 2.</p>

Diagnostic Chart with Trouble Code

AIRBAG SYSTEM (DIAGNOSTICS)

Step	Check	Yes	No
<p>2 CHECK AIRBAG MAIN HARNESS (FRONT SENSOR BUS RH).</p> <p>1) Turn the ignition switch to OFF, disconnect the battery ground cable, and wait for 60 seconds or more.</p> <p>2) Remove the instrument panel lower cover and column cover, and disconnect the connectors (AB7) and (AB2).</p> <p>3) Remove the console front panel and disconnect the connector (AB9).</p> <p>4) Disconnect the connectors (AB6, AB17, AB18) from airbag control module.</p> <p>5) Connect the connector (1AG) in the test harness AG to the connectors (AB6, AB17, AB18).</p> <p>NOTE: Except for XV models, connect test harness AH between the connectors (AB6, AB17, AB18) and (1AG).</p> <p>6) Disconnect the connector (AB16) from the front sub sensor (RH), and then connect the connector (1H) in the test harness H to connector (AB16).</p> <p>7) Measure the resistance between connector (4AG) in the test harness AG and connector (3H) in the test harness H.</p> <p>Connector & terminal (4AG) No. 14 — (3H) No. 5: (4AG) No. 12 — (3H) No. 6:</p>	<p>Is the resistance less than 10 Ω?</p>	<p>Go to step 3.</p>	<p>Replace the airbag main harness along with body harness.</p>
<p>3 CHECK AIRBAG MAIN HARNESS (FRONT SENSOR BUS RH).</p> <p>Measure the resistance between connector (4AG) in the test harness AG and chassis ground, and the resistance between connector (4AG) terminals in the test harness AG.</p> <p>Connector & terminal (4AG) No. 12 — Chassis ground: (4AG) No. 14 — Chassis ground: (4AG) No. 12 — (4AG) No. 14:</p>	<p>Is the resistance 1 MΩ or more?</p>	<p>Go to step 4.</p>	<p>Replace the airbag main harness along with body harness.</p>
<p>4 CHECK AIRBAG CONTROL MODULE.</p> <p>1) Connect all connectors.</p> <p>2) Clear the memory.</p> <p>3) Perform the Inspection Mode.</p> <p>4) Read the DTC. (Current malfunction)</p>	<p>Is the same DTC displayed?</p>	<p>Replace the front sub sensor (RH). <Ref. to AB-81, REMOVAL, Front Sub Sensor.> Replace the airbag control module if not operating normally even after replacing the sensor. <Ref. to AB-77, REMOVAL, Airbag Control Module.></p>	<p>Go to step 5.</p>
<p>5 CHECK FOR ANY OTHER DTC ON DISPLAY.</p>	<p>Is any other DTC displayed?</p>	<p>Check DTC using "List of Diagnostic Trouble Code". <Ref. to AB(diag)-34, List of Diagnostic Trouble Code (DTC).></p>	<p>Finish the diagnosis.</p>

Diagnostic Chart with Trouble Code

AIRBAG SYSTEM (DIAGNOSTICS)

AI: DTC B1615 FRONT SUB SENSOR LH FAILURE

DTC DETECTING CONDITION:

Front sub sensor (LH) is faulty.

If DTC B1615 is displayed, the circuit within the front sub sensor (LH) is faulty.

Replace the front sub sensor (LH). <Ref. to AB-81, Front Sub Sensor.>

AJ:DTC B1617 FRONT SUB SENSOR LH LOST COMMUNICATION

NOTE:

For details on DTC B1617, refer to DTC B1618. <Ref. to AB(diag)-52, DTC B1618 FRONT SUB SENSOR LH INITIALIZATION ERROR, Diagnostic Chart with Trouble Code.>

Diagnostic Chart with Trouble Code

AIRBAG SYSTEM (DIAGNOSTICS)

AK:DTC B1618 FRONT SUB SENSOR LH INITIALIZATION ERROR

DTC DETECTING CONDITION:

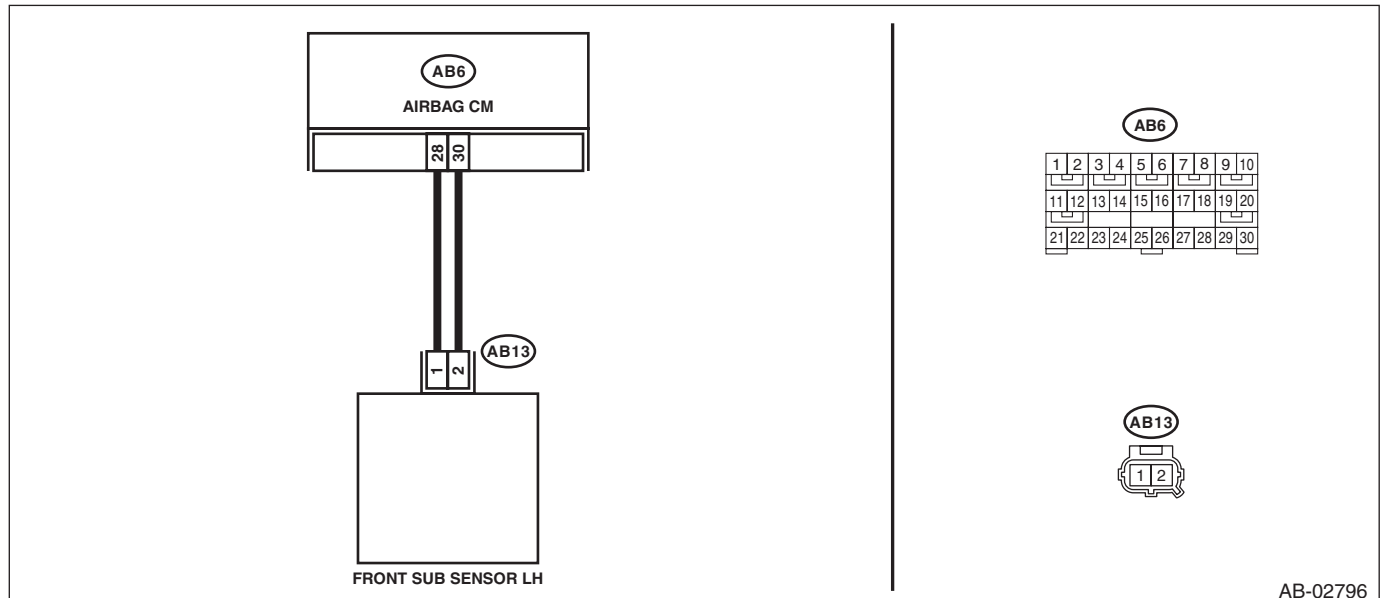
- Open or short circuit in harness of front sensor bus (LH).
- Front sub sensor (LH) is faulty.
- Airbag control module is faulty.

CAUTION:

Before performing diagnosis, refer to “CAUTION” in “General Description”. <Ref. to AB(diag)-4, CAUTION, General Description.>

WIRING DIAGRAM:

Airbag system <Ref. to WI-30, WIRING DIAGRAM, Airbag System.>



AB-02796

Step	Check	Yes	No
1	<p>CHECK POOR CONTACT OF CONNECTORS.</p> <p>Check for poor contact of the connectors (AB6, AB13) between the airbag control module and the front sub sensor (LH).</p>	Is there poor contact?	<p>Replace the airbag main harness along with body harness.</p> <p>Go to step 2.</p>

Diagnostic Chart with Trouble Code

AIRBAG SYSTEM (DIAGNOSTICS)

Step	Check	Yes	No
<p>2 CHECK AIRBAG MAIN HARNESS (FRONT SENSOR BUS LH).</p> <p>1) Turn the ignition switch to OFF, disconnect the battery ground cable, and wait for 60 seconds or more.</p> <p>2) Remove the instrument panel lower cover and column cover, and disconnect the connectors (AB7) and (AB2).</p> <p>3) Remove the console front panel and disconnect the connector (AB9).</p> <p>4) Disconnect the connectors (AB6, AB17, AB18) from airbag control module.</p> <p>5) Connect the connector (1AG) in the test harness AG to the connectors (AB6, AB17, AB18).</p> <p>NOTE: Except for XV models, connect test harness AH between the connectors (AB6, AB17, AB18) and (1AG).</p> <p>6) Disconnect the connector (AB13) from the front sub sensor (LH), and then connect the connector (1H) in the test harness H to connector (AB13).</p> <p>7) Measure the resistance between connector (4AG) in the test harness AG and connector (3H) in the test harness H.</p> <p>Connector & terminal (4AG) No. 7 — (3H) No. 5: (4AG) No. 9 — (3H) No. 6:</p>	<p>Is the resistance less than 10 Ω?</p>	<p>Go to step 3.</p>	<p>Replace the airbag main harness along with body harness.</p>
<p>3 CHECK AIRBAG MAIN HARNESS (FRONT SENSOR BUS LH).</p> <p>Measure the resistance between connector (4AG) in the test harness AG and chassis ground, and the resistance between connector (4AG) terminals in the test harness AG.</p> <p>Connector & terminal (4AG) No. 7 — Chassis ground: (4AG) No. 9 — Chassis ground: (4AG) No. 7 — (4AG) No. 9:</p>	<p>Is the resistance 1 MΩ or more?</p>	<p>Go to step 4.</p>	<p>Replace the airbag main harness along with body harness.</p>
<p>4 CHECK AIRBAG CONTROL MODULE.</p> <p>1) Connect all connectors.</p> <p>2) Clear the memory.</p> <p>3) Perform the Inspection Mode.</p> <p>4) Read the DTC. (Current malfunction)</p>	<p>Is the same DTC displayed?</p>	<p>Replace the front sub sensor (LH). <Ref. to AB-81, REMOVAL, Front Sub Sensor.> Replace the airbag control module if not operating normally even after replacing the sensor. <Ref. to AB-77, REMOVAL, Airbag Control Module.></p>	<p>Go to step 5.</p>
<p>5 CHECK FOR ANY OTHER DTC ON DISPLAY.</p>	<p>Is any other DTC displayed?</p>	<p>Check DTC using "List of Diagnostic Trouble Code". <Ref. to AB(diag)-34, List of Diagnostic Trouble Code (DTC).></p>	<p>Finish the diagnosis.</p>

Diagnostic Chart with Trouble Code

AIRBAG SYSTEM (DIAGNOSTICS)

AL:DTC B16F2 FRONT SUB SENSOR RH RECOGNITION ERROR

DTC DETECTING CONDITION:

Front sub sensor (RH) is misinstalled.

CAUTION:

Before performing diagnosis, refer to “CAUTION” in “General Description”. <Ref. to AB(diag)-4, CAUTION, General Description.>

	Step	Check	Yes	No
1	REPLACE FRONT SUB SENSOR. 1) Turn the ignition switch to OFF, disconnect the battery ground cable, and wait for 60 seconds or more. 2) Replace the front sub sensor (RH) with a genuine sensor. <Ref. to AB-81, REMOVAL, Front Sub Sensor.>	Does the warning light go off?	Finish the diagnosis.	Replace the airbag control module. <Ref. to AB-77, REMOVAL, Airbag Control Module.>

AM:DTC B16F3 FRONT SUB SENSOR LH RECOGNITION ERROR

DTC DETECTING CONDITION:

Front sub sensor (LH) is misinstalled.

CAUTION:

Before performing diagnosis, refer to “CAUTION” in “General Description”. <Ref. to AB(diag)-4, CAUTION, General Description.>

	Step	Check	Yes	No
1	REPLACE FRONT SUB SENSOR. 1) Turn the ignition switch to OFF, disconnect the battery ground cable, and wait for 60 seconds or more. 2) Replace the front sub sensor (LH) with a genuine sensor. <Ref. to AB-81, REMOVAL, Front Sub Sensor.>	Does the warning light go off?	Finish the diagnosis.	Replace the airbag control module. <Ref. to AB-77, REMOVAL, Airbag Control Module.>

AN:DTC B1620 SIDE AIRBAG SENSOR RH FAILURE

DTC DETECTING CONDITION:

Side airbag sensor (RH) is faulty.

When DTC B1620 is displayed, the circuit within the side airbag sensor (RH) is faulty.

Replace the side airbag sensor (RH). <Ref. to AB-88, Side Airbag Sensor.>

AO:DTC B1622 SIDE AIRBAG SENSOR RH LOST COMMUNICATION

NOTE:

For details on DTC B1622, refer to DTC B1623. <Ref. to AB(diag)-55, DTC B1623 SIDE AIRBAG SENSOR RH INITIALIZATION ERROR, Diagnostic Chart with Trouble Code.>

Diagnostic Chart with Trouble Code

AIRBAG SYSTEM (DIAGNOSTICS)

AP:DTC B1623 SIDE AIRBAG SENSOR RH INITIALIZATION ERROR

DTC DETECTING CONDITION:

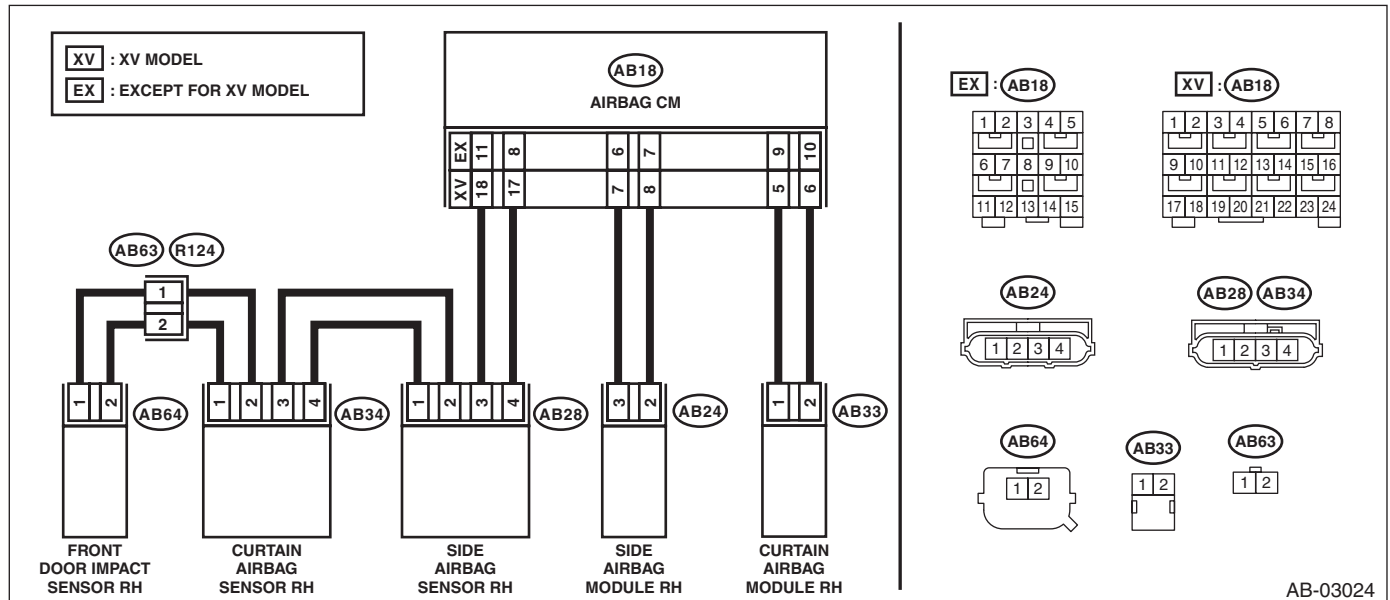
- Open or short circuit in harness of side sensor bus (RH).
- Side airbag sensor (RH) and curtain airbag sensor (RH) are faulty.
- Airbag control module is faulty.

CAUTION:

Before performing diagnosis, refer to “CAUTION” in “General Description”. <Ref. to AB(diag)-4, CAUTION, General Description.>

WIRING DIAGRAM:

Airbag system <Ref. to WI-30, WIRING DIAGRAM, Airbag System.>



Diagnostic Chart with Trouble Code

AIRBAG SYSTEM (DIAGNOSTICS)

Step	Check	Yes	No
1 CHECK POOR CONTACT OF CONNECTORS. Check for poor contact of the connectors between the airbag control module and the side airbag sensor (RH).	Is there poor contact?	Replace the airbag rear harness along with body harness.	Go to step 2.
2 CHECK AIRBAG REAR HARNESS (BETWEEN AIRBAG CONTROL MODULE AND SIDE AIRBAG SENSOR RH). 1) Turn the ignition switch to OFF, disconnect the battery ground cable, and wait for 60 seconds or more. 2) Disconnect the connector (AB26) from seat belt pretensioner (RH). 3) Disconnect the connector (AB33) from curtain airbag module (RH). 4) Disconnect connector (AB24) of the side airbag module (RH). 5) Disconnect the connectors (AB6, AB17, AB18) from airbag control module. 6) Connect the connector (1AG) in the test harness AG to the connectors (AB6, AB17, AB18). NOTE: Except for XV models, connect test harness AH between the connectors (AB6, AB17, AB18) and (1AG). 7) Disconnect the connector (AB28) from side airbag sensor (RH), and connect the connector (2V) in test harness V to connector (AB28). 8) Measure the resistance between connector (5AG) in the test harness AG and connector (3V) in the test harness V. Connector & terminal XV model (5AG) No. 14 — (3V) No. 1: (5AG) No. 16 — (3V) No. 2: Except for XV model (5AG) No. 14 — (3V) No. 1: (5AG) No. 15 — (3V) No. 2:	Is the resistance less than 10 Ω?	Go to step 3.	Replace the airbag rear harness along with body harness.
3 CHECK AIRBAG REAR HARNESS (BETWEEN AIRBAG CONTROL MODULE AND SIDE AIRBAG SENSOR RH). Measure the resistance between test harness AG connectors (5AG) and chassis ground, and the resistance between connectors (5AG) of the test harness AG. Connector & terminal (3V) No. 1 — Chassis ground: (3V) No. 2 — Chassis ground: (3V) No. 1 — (3V) No. 2:	Is the resistance 1 MΩ or more?	Go to step 4.	Replace the airbag rear harness along with body harness.
4 CHECK AIRBAG CONTROL MODULE. 1) Connect all connectors. 2) Clear the memory. 3) Perform the Inspection Mode. 4) Read the DTC. (Current malfunction)	Is the same DTC displayed?	Go to step 5.	Go to step 6.

Diagnostic Chart with Trouble Code

AIRBAG SYSTEM (DIAGNOSTICS)

Step	Check	Yes	No
5 REPLACE SIDE AIRBAG SENSOR (RH) AND CHECK AIRBAG CONTROL MODULE AFTER REPLACEMENT. 1) Turn the ignition switch to OFF, disconnect the battery ground cable, and wait for 60 seconds or more. 2) Replace the side airbag sensor (RH). <Ref. to AB-88, REMOVAL, Side Airbag Sensor.> 3) Connect all connectors. 4) Clear the memory. 5) Perform the Inspection Mode. 6) Read the DTC. (Current malfunction)	Is the system normal?	Go to step 6.	Replace the curtain airbag sensor (RH). <Ref. to AB-93, REMOVAL, Curtain Airbag Sensor.> Replace the airbag control module if not operating normally even after replacing the sensor. <Ref. to AB-77, REMOVAL, Airbag Control Module.>
6 CHECK FOR ANY OTHER DTC ON DISPLAY.	Is any other DTC displayed?	Check DTC using "List of Diagnostic Trouble Code (DTC)". <Ref. to AB(diag)-34, List of Diagnostic Trouble Code (DTC).>	Finish the diagnosis.

AQ:DTC B1625 SIDE AIRBAG SENSOR LH FAILURE

DTC DETECTING CONDITION:

Side airbag sensor (LH) is faulty.

When DTC B1625 is displayed, the circuit within the side airbag sensor (LH) is faulty.

Replace the side airbag sensor (LH). <Ref. to AB-88, Side Airbag Sensor.>

AR:DTC B1627 SIDE AIRBAG SENSOR LH LOST COMMUNICATION

NOTE:

For details on DTC B1627, refer to DTC B1628. <Ref. to AB(diag)-58, DTC B1628 SIDE AIRBAG SENSOR LH INITIALIZATION ERROR, Diagnostic Chart with Trouble Code.>

Diagnostic Chart with Trouble Code

AIRBAG SYSTEM (DIAGNOSTICS)

AS:DTC B1628 SIDE AIRBAG SENSOR LH INITIALIZATION ERROR

DTC DETECTING CONDITION:

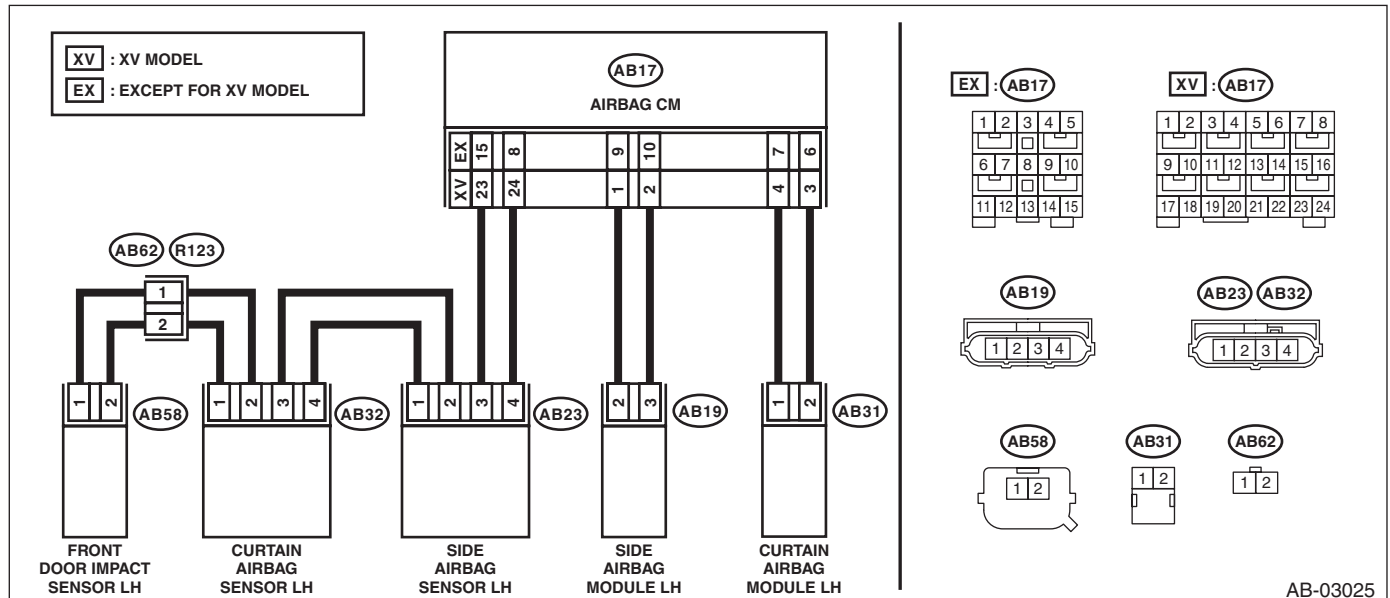
- Open or short circuit in harness of side sensor bus (LH).
- Side airbag sensor (LH) and curtain airbag sensor (LH) are faulty.
- Airbag control module is faulty.

CAUTION:

Before performing diagnosis, refer to "CAUTION" in "General Description". <Ref. to AB(diag)-4, CAUTION, General Description.>

WIRING DIAGRAM:

Airbag system <Ref. to WI-30, WIRING DIAGRAM, Airbag System.>



Diagnostic Chart with Trouble Code

AIRBAG SYSTEM (DIAGNOSTICS)

Step	Check	Yes	No
1 CHECK POOR CONTACT OF CONNECTORS. Check for poor contact of the connectors between the airbag control module and the side airbag sensor (RH).	Is there poor contact?	Replace the airbag rear harness along with body harness.	Go to step 2.
2 CHECK AIRBAG REAR HARNESS (BETWEEN AIRBAG CONTROL MODULE AND SIDE AIRBAG SENSOR LH). 1) Turn the ignition switch to OFF, disconnect the battery ground cable, and wait for 60 seconds or more. 2) Disconnect the connector (AB21) from seat belt pretensioner (LH). 3) Disconnect the connector (AB31) from curtain airbag module (LH). 4) Disconnect connector (AB19) of the side airbag module (LH). 5) Disconnect the connectors (AB17, AB6, AB18) from airbag control module. 6) Connect the connector (1AG) in the test harness AG to the connectors (AB6, AB17, AB18). NOTE: Except for XV models, connect test harness AH between the connectors (AB6, AB17, AB18) and (1AG). 7) Disconnect the connector (AB23) from side airbag sensor (LH), and connect the connector (2V) in test harness V to connector (AB23). 8) Measure the resistance between connector (5AG) in the test harness AG and connector (3V) in the test harness V. Connector & terminal XV model (5AG) No. 8 — (3V) No. 2: (5AG) No. 10 — (3V) No. 1: Except for XV model (5AG) No. 9 — (3V) No. 2: (5AG) No. 10 — (3V) No. 1:	Is the resistance less than 10 Ω?	Go to step 3.	Replace the airbag rear harness along with body harness.
3 CHECK AIRBAG REAR HARNESS (BETWEEN AIRBAG CONTROL MODULE AND SIDE AIRBAG SENSOR LH). Measure the resistance between test harness AG connectors (5AG) and chassis ground, and the resistance between connectors (5AG) of the test harness AG. Connector & terminal (3V) No. 1 — Chassis ground: (3V) No. 2 — Chassis ground: (3V) No. 1 — (3V) No. 2:	Is the resistance 1 MΩ or more?	Go to step 4.	Replace the airbag rear harness along with body harness.
4 CHECK AIRBAG CONTROL MODULE. 1) Connect all connectors. 2) Clear the memory. 3) Perform the Inspection Mode. 4) Read the DTC. (Current malfunction)	Is the same DTC displayed?	Go to step 5.	Go to step 6.

Diagnostic Chart with Trouble Code

AIRBAG SYSTEM (DIAGNOSTICS)

Step	Check	Yes	No
5 REPLACE SIDE AIRBAG SENSOR (LH) AND CHECK AIRBAG CONTROL MODULE AFTER REPLACEMENT. 1) Turn the ignition switch to OFF, disconnect the battery ground cable, and wait for 60 seconds or more. 2) Replace the side airbag sensor (LH). <Ref. to AB-88, REMOVAL, Side Airbag Sensor.> 3) Connect all connectors. 4) Clear the memory. 5) Perform the Inspection Mode. 6) Read the DTC. (Current malfunction)	Is the system normal?	Go to step 6.	Replace the curtain airbag sensor (LH). <Ref. to AB-93, REMOVAL, Curtain Airbag Sensor.> Replace the airbag control module if not operating normally even after replacing the sensor. <Ref. to AB-77, REMOVAL, Airbag Control Module.>
6 CHECK FOR ANY OTHER DTC ON DISPLAY.	Is any other DTC displayed?	Check DTC using "List of Diagnostic Trouble Code (DTC)". <Ref. to AB(diag)-34, List of Diagnostic Trouble Code (DTC).>	Finish the diagnosis.

AT:DTC B1630 CURTAIN AIRBAG SENSOR RH FAILURE

DTC DETECTING CONDITION:

Curtain airbag sensor (RH) is faulty.

If DTC B1630 is displayed, the circuit within the curtain airbag sensor (RH) is faulty.

Replace the curtain airbag sensor (RH). <Ref. to AB-93, Curtain Airbag Sensor.>

AU:DTC B1632 CURTAIN AIRBAG SENSOR RH LOST COMMUNICATION

NOTE:

For details on DTC B1632, refer to DTC B1633. <Ref. to AB(diag)-61, DTC B1633 CURTAIN AIRBAG SENSOR RH INITIALIZATION ERROR, Diagnostic Chart with Trouble Code.>

Diagnostic Chart with Trouble Code

AIRBAG SYSTEM (DIAGNOSTICS)

AV:DTC B1633 CURTAIN AIRBAG SENSOR RH INITIALIZATION ERROR

DTC DETECTING CONDITION:

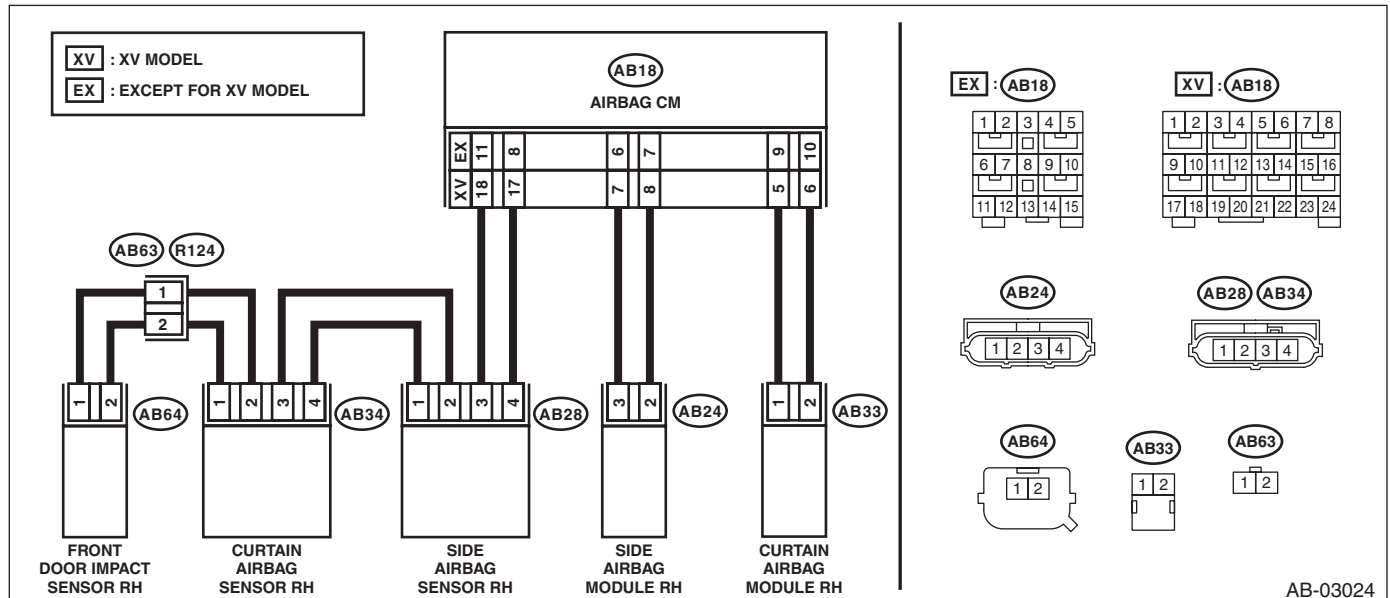
- Open or short circuit in harness of side sensor bus (RH).
- Side airbag sensor (RH) and curtain airbag sensor (RH) are faulty.
- Airbag control module is faulty.

CAUTION:

Before performing diagnosis, refer to “CAUTION” in “General Description”. <Ref. to AB(diag)-4, CAUTION, General Description.>

WIRING DIAGRAM:

Airbag system <Ref. to WI-30, WIRING DIAGRAM, Airbag System.>



Step	Check	Yes	No	
1	CHECK DTC. Read the DTC. (Current malfunction)	Is DTC B1622 or B1623 displayed?	Perform the diagnosis according to DTC.	Go to step 2.
2	CHECK POOR CONTACT OF CONNECTORS. Check for poor contact of the connectors between the airbag control module and the door sensor (RH).	Is there poor contact?	Replace the airbag rear harness and the door harness.	Go to step 3.

Diagnostic Chart with Trouble Code

AIRBAG SYSTEM (DIAGNOSTICS)

Step	Check	Yes	No
<p>3</p> <p>CHECK AIRBAG REAR HARNESS (BETWEEN SIDE AIRBAG SENSOR (RH) AND CURTAIN AIRBAG SENSOR (RH)).</p> <p>1) Turn the ignition switch to OFF, disconnect the battery ground cable, and wait for 60 seconds or more.</p> <p>2) Disconnect the connector (AB26) from seat belt pretensioner (RH).</p> <p>3) Disconnect the connector (AB33) from curtain airbag module (RH).</p> <p>4) Disconnect connector (AB24) of the side airbag module (RH).</p> <p>5) Disconnect connector (AB28) from side airbag sensor (RH).</p> <p>6) Connect the connector (AB28) of side airbag sensor (RH) and the connector (1A1) in the test harness A1.</p> <p>7) Connect the connector (2A1) in the test harness A1 and the connector (1V) in the test harness V.</p> <p>8) Disconnect the connector (AB34) from curtain airbag sensor (RH), and connect the connector (2V) in test harness V to connector (AB34).</p> <p>9) Measure the resistance between connector (3V) terminals in the test harness V.</p> <p>Connector & terminal (3V) No. 2 — (3V) No. 6: (3V) No. 1 — (3V) No. 7:</p>	<p>Is the resistance less than 10 Ω?</p>	<p>Go to step 4.</p>	<p>Replace the airbag rear harness along with body harness.</p>
<p>4</p> <p>CHECK AIRBAG REAR HARNESS (BETWEEN SIDE AIRBAG SENSOR AND CURTAIN AIRBAG SENSOR RH).</p> <p>Measure the resistance between connector (3V) in test harness V and chassis ground, and the resistance between connector (3V) in test harness V.</p> <p>Connector & terminal (3V) No. 2 — Chassis ground: (3V) No. 1 — Chassis ground: (3V) No. 2 — (3V) No. 1:</p>	<p>Is the resistance 1 MΩ or more?</p>	<p>Go to step 5.</p>	<p>Replace the airbag rear harness along with body harness.</p>
<p>5</p> <p>CHECK AIRBAG CONTROL MODULE.</p> <p>1) Connect all connectors.</p> <p>2) Clear the memory.</p> <p>3) Perform the Inspection Mode.</p> <p>4) Read the DTC. (Current malfunction)</p>	<p>Is the same DTC displayed?</p>	<p>Go to step 6.</p>	<p>Go to step 7.</p>
<p>6</p> <p>REPLACE CURTAIN AIRBAG SENSOR (RH) AND CHECK AIRBAG CONTROL MODULE AFTER REPLACEMENT.</p> <p>1) Turn the ignition switch to OFF, disconnect the battery ground cable, and wait for 60 seconds or more.</p> <p>2) Replace the curtain airbag sensor (RH). <Ref. to AB-93, REMOVAL, Curtain Airbag Sensor.></p> <p>3) Connect all connectors.</p> <p>4) Clear the memory.</p> <p>5) Perform the Inspection Mode.</p> <p>6) Read the DTC. (Current malfunction)</p>	<p>Is the same DTC displayed?</p>	<p>Go to step 7.</p>	<p>Go to step 8.</p>

Diagnostic Chart with Trouble Code

AIRBAG SYSTEM (DIAGNOSTICS)

Step	Check	Yes	No
7 REPLACE SIDE AIRBAG SENSOR (RH) AND CHECK AIRBAG CONTROL MODULE AFTER REPLACEMENT. 1) Turn the ignition switch to OFF, disconnect the battery ground cable, and wait for 60 seconds or more. 2) Replace the side airbag sensor (RH). <Ref. to AB-88, REMOVAL, Side Airbag Sensor.> 3) Connect all connectors. 4) Clear the memory. 5) Perform the Inspection Mode. 6) Read the DTC. (Current malfunction)	Is the same DTC displayed?	Replace the airbag control module. <Ref. to AB-77, REMOVAL, Airbag Control Module.>	Go to step 8 .
8 CHECK FOR ANY OTHER DTC ON DISPLAY.	Is any other DTC displayed?	Check DTC using "List of Diagnostic Trouble Code (DTC)". <Ref. to AB(diag)-34, List of Diagnostic Trouble Code (DTC).>	Finish the diagnosis.

AW:DTC B1635 CURTAIN AIRBAG SENSOR LH FAILURE

DTC DETECTING CONDITION:

Curtain airbag sensor (LH) is faulty.

If DTC B1635 is displayed, the circuit within the curtain airbag sensor (LH) is faulty.

Replace the curtain airbag sensor (LH). <Ref. to AB-93, Curtain Airbag Sensor.>

AX:DTC B1637 CURTAIN AIRBAG SENSOR LH LOST COMMUNICATION

NOTE:

Refer to DTC B1637 for details on DTC B1638. <Ref. to AB(diag)-64, DTC B1638 CURTAIN AIRBAG SENSOR LH INITIALIZATION ERROR, Diagnostic Chart with Trouble Code.>

Diagnostic Chart with Trouble Code

AIRBAG SYSTEM (DIAGNOSTICS)

AY:DTC B1638 CURTAIN AIRBAG SENSOR LH INITIALIZATION ERROR

DTC DETECTING CONDITION:

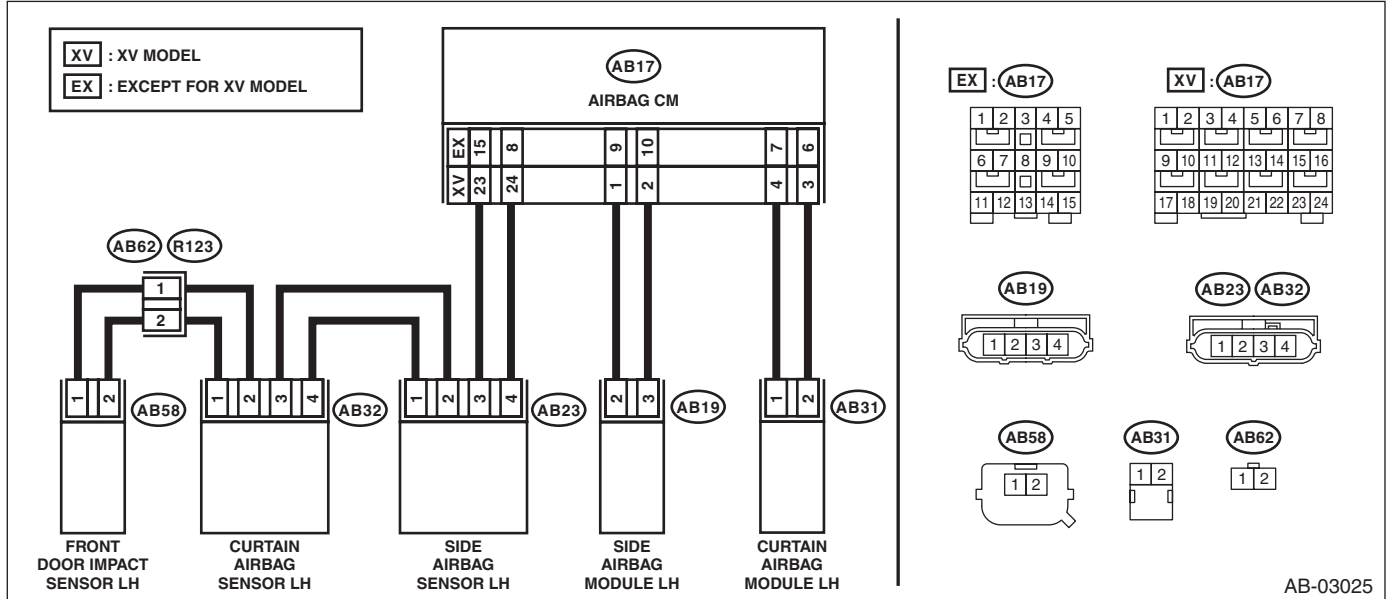
- Open or short circuit in harness of side sensor bus (LH).
- Side airbag sensor (LH) and curtain airbag sensor (LH) are faulty.
- Airbag control module is faulty.

CAUTION:

Before performing diagnosis, refer to “CAUTION” in “General Description”. <Ref. to AB(diag)-4, CAUTION, General Description.>

WIRING DIAGRAM:

Airbag system <Ref. to WI-30, WIRING DIAGRAM, Airbag System.>



AB-03025

Step	Check	Yes	No	
1	CHECK DTC. Read the DTC. (Current malfunction)	Is DTC B1627 or B1628 displayed?	Perform the diagnosis according to DTC.	Go to step 2.
2	CHECK POOR CONTACT OF CONNECTORS. Check for poor contact of the connectors between the airbag control module and the door sensor (LH).	Is there poor contact?	Replace the airbag rear harness and the door harness.	Go to step 3.

Diagnostic Chart with Trouble Code

AIRBAG SYSTEM (DIAGNOSTICS)

Step	Check	Yes	No
<p>3</p> <p>CHECK AIRBAG REAR HARNESS (BETWEEN SIDE AIRBAG SENSOR LH AND CURTAIN AIRBAG SENSOR LH).</p> <p>1) Turn the ignition switch to OFF, disconnect the battery ground cable, and wait for 60 seconds or more.</p> <p>2) Disconnect the connector (AB21) from seat belt pretensioner (LH).</p> <p>3) Disconnect the connector (AB31) from curtain airbag module (LH).</p> <p>4) Disconnect connector (AB19) of the side airbag module (LH).</p> <p>5) Disconnect the connector (AB23) in the side airbag sensor (LH).</p> <p>6) Connect the connector (AB23) of side airbag sensor (LH) and the connector (1A1) in the test harness A1.</p> <p>7) Connect the connector (2A1) in the test harness A1 and the connector (1V) in the test harness V.</p> <p>8) Disconnect the connector (AB32) from curtain airbag sensor (LH), and connect to the connector (2V) in test harness V.</p> <p>9) Measure the resistance between connector (3V) terminals in the test harness V.</p> <p>Connector & terminal (3V) No. 2 — (3V) No. 6: (3V) No. 1 — (3V) No. 7:</p>	<p>Is the resistance less than 10 Ω?</p>	<p>Go to step 4.</p>	<p>Replace the airbag rear harness along with body harness.</p>
<p>4</p> <p>CHECK AIRBAG REAR HARNESS (BETWEEN SIDE AIRBAG SENSOR AND CURTAIN AIRBAG SENSOR LH).</p> <p>Measure the resistance between connector (3V) in test harness V and chassis ground, and the resistance between connector (3V) in test harness V.</p> <p>Connector & terminal (3V) No. 1 — Chassis ground: (3V) No. 2 — Chassis ground: (3V) No. 1 — (3V) No. 2:</p>	<p>Is the resistance 1 MΩ or more?</p>	<p>Go to step 5.</p>	<p>Replace the airbag rear harness along with body harness.</p>
<p>5</p> <p>CHECK AIRBAG CONTROL MODULE.</p> <p>1) Connect all connectors.</p> <p>2) Clear the memory.</p> <p>3) Perform the Inspection Mode.</p> <p>4) Read the DTC. (Current malfunction)</p>	<p>Is the same DTC displayed?</p>	<p>Go to step 6.</p>	<p>Go to step 8.</p>
<p>6</p> <p>REPLACE CURTAIN AIRBAG SENSOR (LH) AND CHECK AIRBAG CONTROL MODULE AFTER REPLACEMENT.</p> <p>1) Turn the ignition switch to OFF, disconnect the battery ground cable, and wait for 60 seconds or more.</p> <p>2) Replace the curtain airbag sensor (LH). <Ref. to AB-93, REMOVAL, Curtain Airbag Sensor.></p> <p>3) Connect all connectors.</p> <p>4) Clear the memory.</p> <p>5) Perform the Inspection Mode.</p> <p>6) Read the DTC. (Current malfunction)</p>	<p>Is the same DTC displayed?</p>	<p>Go to step 7.</p>	<p>Go to step 8.</p>

Diagnostic Chart with Trouble Code

AIRBAG SYSTEM (DIAGNOSTICS)

Step	Check	Yes	No
7 REPLACE SIDE AIRBAG SENSOR (LH) AND CHECK AIRBAG CONTROL MODULE AFTER REPLACEMENT. 1) Turn the ignition switch to OFF, disconnect the battery ground cable, and wait for 60 seconds or more. 2) Replace the side airbag sensor (LH). <Ref. to AB-88, REMOVAL, Side Airbag Sensor.> 3) Connect all connectors. 4) Clear the memory. 5) Perform the Inspection Mode. 6) Read the DTC. (Current malfunction)	Is the same DTC displayed?	Replace the airbag control module. <Ref. to AB-77, REMOVAL, Airbag Control Module.>	Go to step 8 .
8 CHECK FOR ANY OTHER DTC ON DISPLAY.	Is any other DTC displayed?	Check DTC using "List of Diagnostic Trouble Code (DTC)". <Ref. to AB(diag)-34, List of Diagnostic Trouble Code (DTC).>	Finish the diagnosis.

Diagnostic Chart with Trouble Code

AIRBAG SYSTEM (DIAGNOSTICS)

AZ:DTC B16F4 SIDE AIRBAG SENSOR RH RECOGNITION ERROR

DTC DETECTING CONDITION:

- Side airbag sensor RH is misinstalled.
- Airbag CM is faulty.

CAUTION:

Before performing diagnosis, refer to “CAUTION” in “General Description”. <Ref. to AB(diag)-4, CAUTION, General Description.>

	Step	Check	Yes	No
1	REPLACE SIDE AIRBAG SENSOR (RH). 1) Turn the ignition switch to OFF, disconnect the battery ground cable, and wait for 60 seconds or more. 2) Replace the side A/B sensor (RH) with a genuine sensor. <Ref. to AB-88, REMOVAL, Side Airbag Sensor.>	Does the warning light go off?	Finish the diagnosis.	Replace the airbag control module. <Ref. to AB-77, REMOVAL, Airbag Control Module.>

BA:DTC B16F5 SIDE AIRBAG SENSOR LH RECOGNITION ERROR

DTC DETECTING CONDITION:

- Side airbag sensor LH is misinstalled.
- Airbag CM is faulty.

CAUTION:

Before performing diagnosis, refer to “CAUTION” in “General Description”. <Ref. to AB(diag)-4, CAUTION, General Description.>

	Step	Check	Yes	No
1	REPLACE SIDE AIRBAG SENSOR (LH). 1) Turn the ignition switch to OFF, disconnect the battery ground cable, and wait for 60 seconds or more. 2) Replace the side A/B sensor (LH) with a genuine sensor. <Ref. to AB-88, REMOVAL, Side Airbag Sensor.>	Does the warning light go off?	Finish the diagnosis.	Replace the airbag control module. <Ref. to AB-77, REMOVAL, Airbag Control Module.>

Diagnostic Chart with Trouble Code

AIRBAG SYSTEM (DIAGNOSTICS)

BB:DTC B16F6 CURTAIN AIRBAG SENSOR RH RECOGNITION ERROR

DTC DETECTING CONDITION:

- Curtain airbag sensor RH is misinstalled.
- Airbag CM is faulty.

CAUTION:

Before performing diagnosis, refer to “CAUTION” in “General Description”. <Ref. to AB(diag)-4, CAUTION, General Description.>

	Step	Check	Yes	No
1	REPLACE CURTAIN AIRBAG SENSOR (RH). 1) Turn the ignition switch to OFF, disconnect the battery ground cable, and wait for 60 seconds or more. 2) Replace the curtain A/B sensor (RH) with a genuine sensor. <Ref. to AB-93, REMOVAL, Curtain Airbag Sensor.>	Does the warning light go off?	Finish the diagnosis.	Replace the airbag control module. <Ref. to AB-77, REMOVAL, Airbag Control Module.>

BC:DTC B16F7 CURTAIN AIRBAG SENSOR LH RECOGNITION ERROR

DTC DETECTING CONDITION:

- Curtain airbag sensor LH is misinstalled.
- Airbag CM is faulty.

CAUTION:

Before performing diagnosis, refer to “CAUTION” in “General Description”. <Ref. to AB(diag)-4, CAUTION, General Description.>

	Step	Check	Yes	No
1	REPLACE CURTAIN AIRBAG SENSOR (LH). 1) Turn the ignition switch to OFF, disconnect the battery ground cable, and wait for 60 seconds or more. 2) Replace the curtain A/B sensor (LH) with a genuine sensor. <Ref. to AB-93, REMOVAL, Curtain Airbag Sensor.>	Does the warning light go off?	Finish the diagnosis.	Replace the airbag control module. <Ref. to AB-77, REMOVAL, Airbag Control Module.>

Diagnostic Chart with Trouble Code

AIRBAG SYSTEM (DIAGNOSTICS)

BD:DTC B1642 SIDE SATELLITE SENSOR BUS RH LOST COMMUNICATION

DTC DETECTING CONDITION:

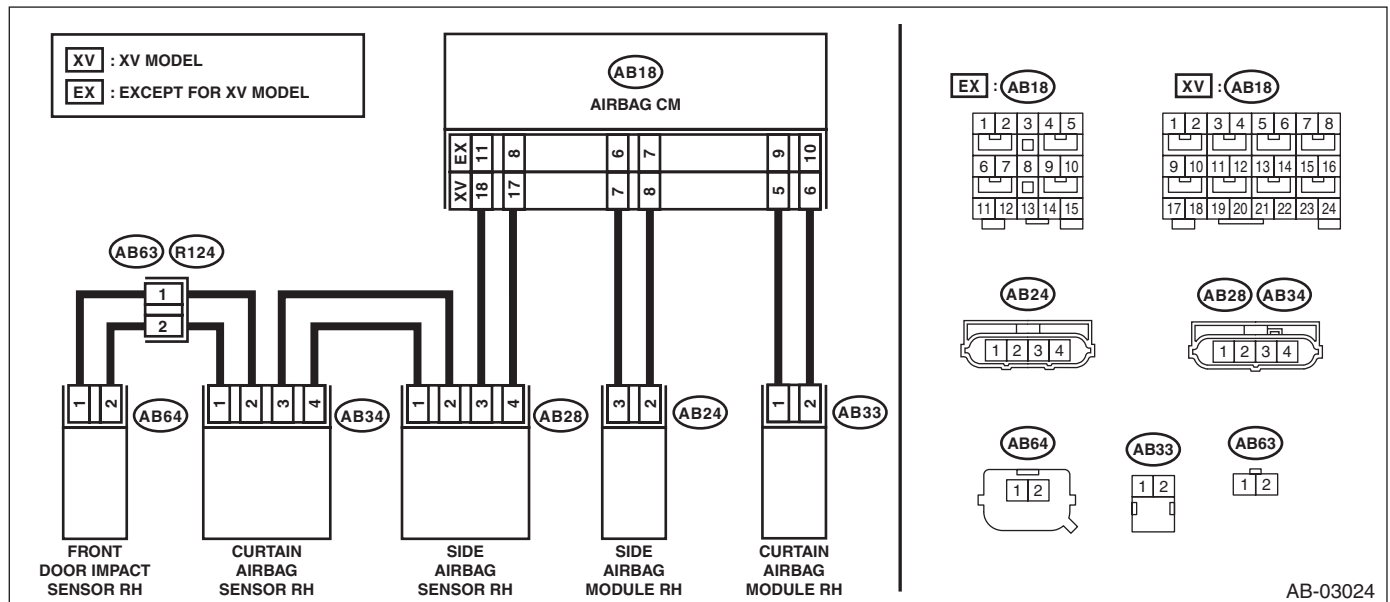
- Open or short circuit in harness of side sensor bus (RH).
- Side airbag sensor (RH) is faulty.
- Curtain airbag sensor (RH) is faulty.
- Front door impact sensor (RH) is faulty.
- Airbag control module is faulty.

CAUTION:

Before performing diagnosis, refer to “CAUTION” in “General Description”. <Ref. to AB(diag)-4, CAUTION, General Description.>

WIRING DIAGRAM:

Airbag system <Ref. to WI-30, WIRING DIAGRAM, Airbag System.>



Step	Check	Yes	No	
1	CHECK DTC. Read the DTC. (Current malfunction)	Is DTC B1622 or B1623 displayed?	Perform the diagnosis according to DTC.	Go to step 2.
2	CHECK DTC. Read the DTC. (Current malfunction)	Is DTC B1632 or B1633 displayed?	Perform the diagnosis according to DTC.	Go to step 3.
3	CHECK DTC. Read the DTC. (Current malfunction)	Is DTC B1692 or B1693 displayed?	Perform the diagnosis according to DTC.	Go to step 4.
4	CHECK POOR CONTACT OF CONNECTORS. Check for poor contact of the connectors between the airbag control module and the front door impact sensor (RH).	Is there poor contact?	Replace the airbag rear harness and the door harness.	Go to step 5.

Diagnostic Chart with Trouble Code

AIRBAG SYSTEM (DIAGNOSTICS)

Step	Check	Yes	No
<p>5</p> <p>CHECK AIRBAG REAR HARNESS (BETWEEN AIRBAG CONTROL MODULE AND SIDE AIRBAG SENSOR RH).</p> <p>1) Turn the ignition switch to OFF, disconnect the battery ground cable, and wait for 60 seconds or more.</p> <p>2) Disconnect the connector (AB26) from seat belt pretensioner (RH).</p> <p>3) Disconnect the connector (AB33) from curtain airbag module (RH).</p> <p>4) Disconnect connector (AB24) of the side airbag module (RH).</p> <p>5) Disconnect the connectors (AB6, AB17, AB18) from airbag control module.</p> <p>6) Connect the connector (1AG) in the test harness AG to the connectors (AB6, AB17, AB18).</p> <p>NOTE: Except for XV models, connect test harness AH between the connectors (AB6, AB17, AB18) and (1AG).</p> <p>7) Disconnect connector (AB28) from side airbag sensor (RH).</p> <p>8) Connect the connector (2V) in the test harness V to the connector (AB28).</p> <p>9) Measure the resistance between connector (5AG) in the test harness AG and connector (3V) in the test harness V.</p> <p>Connector & terminal XV model (5AG) No. 14 — (3V) No. 1: (5AG) No. 16 — (3V) No. 2: Except for XV model (5AG) No. 14 — (3V) No. 1: (5AG) No. 15 — (3V) No. 2:</p>	<p>Is the resistance less than 10 Ω?</p>	<p>Go to step 6.</p>	<p>Replace the airbag rear harness along with body harness.</p>
<p>6</p> <p>CHECK AIRBAG REAR HARNESS (BETWEEN AIRBAG CONTROL MODULE AND SIDE AIRBAG SENSOR RH).</p> <p>Measure the resistance between connector (3V) in test harness V and chassis ground, and the resistance between connector (3V) terminals.</p> <p>Connector & terminal (3V) No. 1 — Chassis ground: (3V) No. 2 — Chassis ground: (3V) No. 1 — (3V) No. 2:</p>	<p>Is the resistance 1 MΩ or more?</p>	<p>Go to step 7.</p>	<p>Replace the airbag rear harness along with body harness.</p>

Diagnostic Chart with Trouble Code

AIRBAG SYSTEM (DIAGNOSTICS)

Step	Check	Yes	No
<p>7</p> <p>CHECK AIRBAG REAR HARNESS (BETWEEN SIDE AIRBAG SENSOR AND CURTAIN AIRBAG SENSOR RH).</p> <p>1) Disconnect the connector (2V) in the test harness V from the connector (AB28) of side airbag sensor (RH).</p> <p>2) Connect the connector (AB28) of side airbag sensor (RH) and the connector (1AI) in the test harness AI.</p> <p>3) Connect the connector (2AI) in the test harness AI and the connector (1V) in the test harness V.</p> <p>4) Disconnect the connector (AB34) from curtain airbag sensor (RH), and connect the connector (2V) in test harness V to connector (AB34).</p> <p>5) Measure the resistance between connector (3V) terminals in the test harness V.</p> <p>Connector & terminal (3V) No. 2 — (3V) No. 6: (3V) No. 1 — (3V) No. 7:</p>	<p>Is the resistance less than 10 Ω?</p>	<p>Go to step 8.</p>	<p>Replace the airbag rear harness along with body harness.</p>
<p>8</p> <p>CHECK AIRBAG REAR HARNESS (BETWEEN SIDE AIRBAG SENSOR AND CURTAIN AIRBAG SENSOR RH).</p> <p>Measure the resistance between connector (3V) in test harness V and chassis ground, and the resistance between connector (3V) terminals in test harness V.</p> <p>Connector & terminal (3V) No. 2 — Chassis ground: (3V) No. 1 — Chassis ground: (3V) No. 1 — (3V) No. 2:</p>	<p>Is the resistance 1 MΩ or more?</p>	<p>Go to step 9.</p>	<p>Replace the airbag rear harness along with body harness.</p>
<p>9</p> <p>CHECK AIRBAG REAR HARNESS AND DOOR HARNESS (BETWEEN CURTAIN AIRBAG SENSOR RH AND DOOR SENSOR RH).</p> <p>1) Disconnect the connector (AB64) from the front door impact sensor (RH), and connect the connector (1H) in the test harness H to connector (AB64).</p> <p>2) Measure the resistance between connector (3V) in the test harness V and connector (3H) in the test harness H.</p> <p>Connector & terminal (3V) No. 4 — (3H) No. 5: (3V) No. 5 — (3H) No. 6:</p>	<p>Is the resistance less than 10 Ω?</p>	<p>Go to step 10.</p>	<p>Check the door harness, and if any fault is found, replace the harness. If there is no fault, replace the airbag rear harness together with body harness.</p>
<p>10</p> <p>CHECK AIRBAG REAR HARNESS AND DOOR HARNESS (BETWEEN CURTAIN AIRBAG SENSOR RH AND FRONT DOOR IMPACT SENSOR RH).</p> <p>Measure the resistance between connector (3V) in test harness V and chassis ground, and the resistance between connector (3V) terminals in test harness V.</p> <p>Connector & terminal (3V) No. 4 — Chassis ground: (3V) No. 5 — Chassis ground: (3V) No. 4 — (3V) No. 5:</p>	<p>Is the resistance 1 MΩ or more?</p>	<p>Go to step 11.</p>	<p>Check the door harness, and if any fault is found, replace the harness. If there is no fault, replace the airbag rear harness together with body harness.</p>

Diagnostic Chart with Trouble Code

AIRBAG SYSTEM (DIAGNOSTICS)

Step	Check	Yes	No
11 CHECK AIRBAG CONTROL MODULE. 1) Connect all connectors. 2) Clear the memory. 3) Perform the Inspection Mode. 4) Read the DTC. (Current malfunction)	Is the same DTC displayed?	Go to step 12.	Go to step 15.
12 REPLACE SIDE AIRBAG SENSOR (RH) AND CHECK AIRBAG CONTROL MODULE AFTER REPLACEMENT. 1) Turn the ignition switch to OFF, disconnect the battery ground cable, and wait for 60 seconds or more. 2) Replace the side airbag sensor (RH). <Ref. to AB-88, REMOVAL, Side Airbag Sensor.> 3) Connect all connectors. 4) Clear the memory. 5) Perform the Inspection Mode. 6) Read the DTC. (Current malfunction)	Is the same DTC displayed?	Go to step 13.	Go to step 15.
13 REPLACE CURTAIN AIRBAG SENSOR (RH) AND CHECK AIRBAG CONTROL MODULE AFTER REPLACEMENT. 1) Turn the ignition switch to OFF, disconnect the battery ground cable, and wait for 60 seconds or more. 2) Replace the curtain airbag sensor (RH). <Ref. to AB-93, REMOVAL, Curtain Airbag Sensor.> 3) Connect all connectors. 4) Clear the memory. 5) Perform the Inspection Mode. 6) Read the DTC. (Current malfunction)	Is the same DTC displayed?	Go to step 14.	Go to step 15.
14 REPLACE FRONT DOOR IMPACT SENSOR (RH) AND CHECK AIRBAG CONTROL MODULE AFTER REPLACEMENT. 1) Turn the ignition switch to OFF, disconnect the battery ground cable, and wait for 60 seconds or more. 2) Replace the front door impact sensor (RH). <Ref. to AB-85, REMOVAL, Front Door Impact Sensor.> 3) Connect all connectors. 4) Clear the memory. 5) Perform the Inspection Mode. 6) Read the DTC. (Current malfunction)	Is the same DTC displayed?	Replace the airbag control module. <Ref. to AB-77, REMOVAL, Airbag Control Module.>	Go to step 15.
15 CHECK FOR ANY OTHER DTC ON DISPLAY. Read the DTC. (Current malfunction)	Is any other DTC displayed?	Perform the diagnosis according to DTC.	Finish the diagnosis.

Diagnostic Chart with Trouble Code

AIRBAG SYSTEM (DIAGNOSTICS)

BE:DTC B1647 SIDE SATELLITE SENSOR BUS LH LOST COMMUNICATION

DTC DETECTING CONDITION:

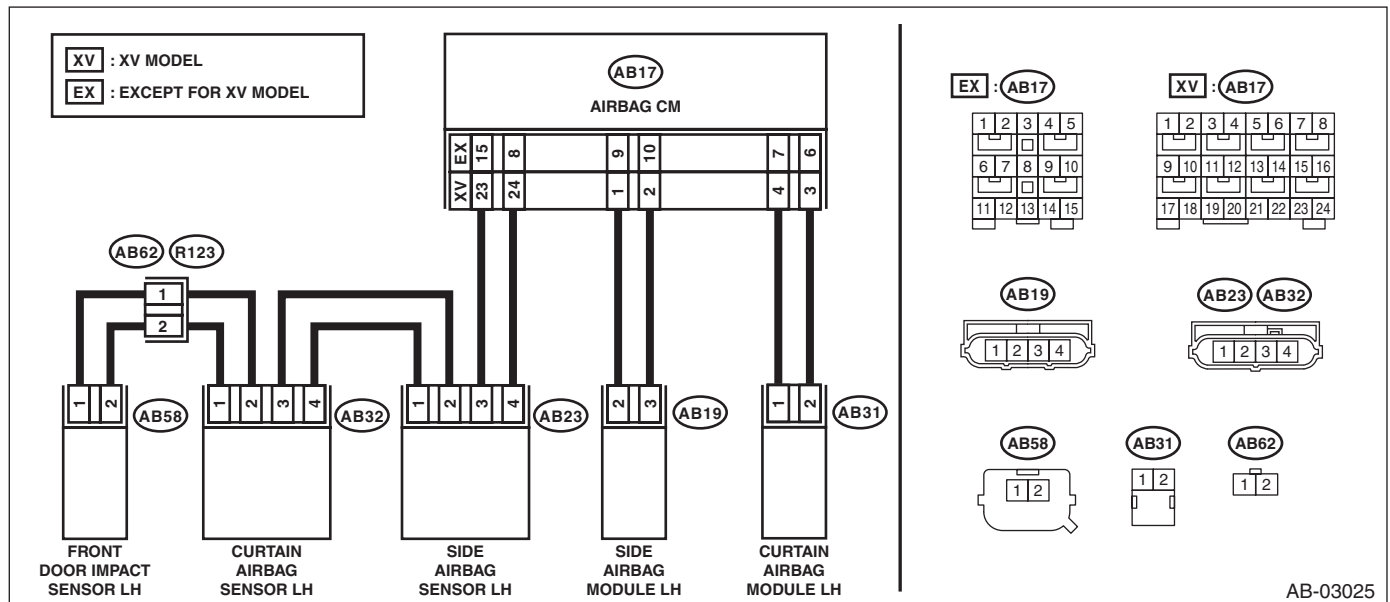
- Open or short circuit in harness of side sensor bus (LH).
- Side airbag sensor (LH) is faulty.
- Curtain airbag sensor (LH) is faulty.
- Front door impact sensor (LH) is faulty.
- Airbag control module is faulty.

CAUTION:

Before performing diagnosis, refer to “CAUTION” in “General Description”. <Ref. to AB(diag)-4, CAUTION, General Description.>

WIRING DIAGRAM:

Airbag system <Ref. to WI-30, WIRING DIAGRAM, Airbag System.>



Step	Check	Yes	No
1	CHECK DTC. Read the DTC. (Current malfunction)	Is DTC B1627 or B1628 displayed?	Perform the diagnosis according to DTC. Go to step 2.
2	CHECK DTC. Read the DTC. (Current malfunction)	Is DTC B1637 or B1638 displayed?	Perform the diagnosis according to DTC. Go to step 3.
3	CHECK DTC. Read the DTC. (Current malfunction)	Is DTC B1697 or B1698 displayed?	Perform the diagnosis according to DTC. Go to step 4.
4	CHECK POOR CONTACT OF CONNECTORS. Check for poor contact of the connectors between the airbag control module and the front door impact sensor (LH).	Is there poor contact?	Replace the airbag rear harness and the door harness. Go to step 5.

Diagnostic Chart with Trouble Code

AIRBAG SYSTEM (DIAGNOSTICS)

Step	Check	Yes	No
<p>5</p> <p>CHECK AIRBAG REAR HARNESS (BETWEEN AIRBAG CONTROL MODULE AND SIDE AIRBAG SENSOR LH).</p> <p>1) Turn the ignition switch to OFF, disconnect the battery ground cable, and wait for 60 seconds or more.</p> <p>2) Disconnect the connector (AB21) from seat belt pretensioner (LH).</p> <p>3) Disconnect the connector (AB31) from curtain airbag module (LH).</p> <p>4) Disconnect connector (AB19) of the side airbag module (LH).</p> <p>5) Disconnect the connectors (AB6, AB17, AB18) from airbag control module.</p> <p>6) Connect the connector (1AG) in the test harness AG to the connectors (AB6, AB17, AB18).</p> <p>NOTE: Except for XV models, connect test harness AH between the connectors (AB6, AB17, AB18) and (1AG).</p> <p>7) Disconnect the connector (AB23) from the side airbag sensor (LH).</p> <p>8) Connect the connector (2V) in the test harness V to the connector (AB23).</p> <p>9) Measure the resistance between connector (5AG) in the test harness AG and connector (3V) in the test harness V.</p> <p>Connector & terminal XV model (5AG) No. 10 — (3V) No. 1: (5AG) No. 8 — (3V) No. 2: Except for XV model (5AG) No. 10 — (3V) No. 1: (5AG) No. 9 — (3V) No. 2:</p>	<p>Is the resistance less than 10 Ω?</p>	<p>Go to step 6.</p>	<p>Replace the airbag rear harness along with body harness.</p>
<p>6</p> <p>CHECK AIRBAG REAR HARNESS (BETWEEN AIRBAG CONTROL MODULE AND SIDE AIRBAG SENSOR LH).</p> <p>Measure the resistance between connector (3V) in test harness V and chassis ground, and the resistance between connector (3V) terminals.</p> <p>Connector & terminal (3V) No. 1 — Chassis ground: (3V) No. 2 — Chassis ground: (3V) No. 1 — (3V) No. 2:</p>	<p>Is the resistance 1 MΩ or more?</p>	<p>Go to step 7.</p>	<p>Replace the airbag rear harness along with body harness.</p>

Diagnostic Chart with Trouble Code

AIRBAG SYSTEM (DIAGNOSTICS)

Step	Check	Yes	No
<p>7</p> <p>CHECK AIRBAG REAR HARNESS (BETWEEN SIDE AIRBAG SENSOR AND CURTAIN AIRBAG SENSOR LH).</p> <p>1) Disconnect the connector (2V) in the test harness V from the connector (AB23) of side airbag sensor (LH).</p> <p>2) Connect the connector (AB23) of side airbag sensor (LH) and the connector (1A1) in the test harness A1.</p> <p>3) Connect the connector (2A1) in the test harness A1 and the connector (1V) in the test harness V.</p> <p>4) Disconnect the connector (AB32) from curtain airbag sensor (LH), and connect the connector (2V) in test harness V to connector (AB32).</p> <p>5) Measure the resistance between connector (3V) terminals in the test harness V.</p> <p>Connector & terminal (3V) No. 2 — (3V) No. 6: (3V) No. 1 — (3V) No. 7:</p>	<p>Is the resistance less than 10 Ω?</p>	<p>Go to step 8.</p>	<p>Replace the airbag rear harness along with body harness.</p>
<p>8</p> <p>CHECK AIRBAG REAR HARNESS (BETWEEN SIDE AIRBAG SENSOR AND CURTAIN AIRBAG SENSOR LH).</p> <p>Measure the resistance between connector (3V) in test harness V and chassis ground, and the resistance between connector (3V) terminals in test harness V.</p> <p>Connector & terminal (3V) No. 2 — Chassis ground: (3V) No. 1 — Chassis ground: (3V) No. 1 — (3V) No. 2:</p>	<p>Is the resistance 1 MΩ or more?</p>	<p>Go to step 9.</p>	<p>Replace the airbag rear harness along with body harness.</p>
<p>9</p> <p>CHECK AIRBAG REAR HARNESS AND DOOR HARNESS (BETWEEN CURTAIN AIRBAG SENSOR LH AND DOOR SENSOR LH).</p> <p>1) Disconnect the connector (AB58) from the front door impact sensor (LH), and connect the connector (1H) in the test harness H to connector (AB58).</p> <p>2) Measure the resistance between connector (3V) in the test harness V and connector (3H) in the test harness H.</p> <p>Connector & terminal (3V) No. 4 — (3H) No. 5: (3V) No. 5 — (3H) No. 6:</p>	<p>Is the resistance less than 10 Ω?</p>	<p>Go to step 10.</p>	<p>Check the door harness, and if any fault is found, replace the harness. If there is no fault, replace the airbag rear harness together with body harness.</p>
<p>10</p> <p>CHECK AIRBAG REAR HARNESS AND DOOR HARNESS (BETWEEN CURTAIN AIRBAG SENSOR LH AND DOOR SENSOR LH).</p> <p>Measure the resistance between connector (3V) in test harness V and chassis ground, and the resistance between connector (3V) terminals in test harness V.</p> <p>Connector & terminal (3V) No. 4 — Chassis ground: (3V) No. 5 — Chassis ground: (3V) No. 4 — (3V) No. 5:</p>	<p>Is the resistance 1 MΩ or more?</p>	<p>Go to step 11.</p>	<p>Check the door harness, and if any fault is found, replace the harness. If there is no fault, replace the airbag rear harness together with body harness.</p>

Diagnostic Chart with Trouble Code

AIRBAG SYSTEM (DIAGNOSTICS)

Step	Check	Yes	No
11 CHECK AIRBAG CONTROL MODULE. 1) Connect all connectors. 2) Clear the memory. 3) Perform the Inspection Mode. 4) Read the DTC. (Current malfunction)	Is the same DTC displayed?	Go to step 12.	Go to step 15.
12 REPLACE SIDE AIRBAG SENSOR (LH) AND CHECK AIRBAG CONTROL MODULE AFTER REPLACEMENT. 1) Turn the ignition switch to OFF, disconnect the battery ground cable, and wait for 60 seconds or more. 2) Replace the side airbag sensor (LH). <Ref. to AB-88, REMOVAL, Side Airbag Sensor.> 3) Connect all connectors. 4) Clear the memory. 5) Perform the Inspection Mode. 6) Read the DTC. (Current malfunction)	Is the same DTC displayed?	Go to step 13.	Go to step 15.
13 REPLACE CURTAIN AIRBAG SENSOR (LH) AND CHECK AIRBAG CONTROL MODULE AFTER REPLACEMENT. 1) Turn the ignition switch to OFF, disconnect the battery ground cable, and wait for 60 seconds or more. 2) Replace the curtain airbag sensor (LH). <Ref. to AB-93, REMOVAL, Curtain Airbag Sensor.> 3) Connect all connectors. 4) Clear the memory. 5) Perform the Inspection Mode. 6) Read the DTC. (Current malfunction)	Is the same DTC displayed?	Go to step 14.	Go to step 15.
14 REPLACE FRONT DOOR IMPACT SENSOR (LH) AND CHECK AIRBAG CONTROL MODULE AFTER REPLACEMENT. 1) Turn the ignition switch to OFF, disconnect the battery ground cable, and wait for 60 seconds or more. 2) Replace the front door impact sensor (LH). <Ref. to AB-85, REMOVAL, Front Door Impact Sensor.> 3) Connect all connectors. 4) Clear the memory. 5) Perform the Inspection Mode. 6) Read the DTC. (Current malfunction)	Is the same DTC displayed?	Replace the airbag control module. <Ref. to AB-77, REMOVAL, Airbag Control Module.>	Go to step 15.
15 CHECK FOR ANY OTHER DTC ON DISPLAY.	Is any other DTC displayed?	Perform the diagnosis according to DTC.	Finish the diagnosis.

BF:DTC B1650 OCCUPANT CLASSIFICATION SYSTEM MALFUNCTION

NOTE:

Refer to "Occupant Detection System" for details on DTC B1650. <Ref. to OD(diag)-19, DTC B1650 OCCUPANT CLASSIFICATION SYSTEM MALFUNCTION, Diagnostic Procedure with Diagnostic Trouble Code (DTC).>

BG:DTC B1655 FRONT BUCKLE SWITCH RH FAILURE

NOTE:

Refer to "Occupant Detection System" for details on DTC B1655. <Ref. to OD(diag)-21, DTC B1655 FRONT BUCKLE SWITCH RH FAILURE, Diagnostic Procedure with Diagnostic Trouble Code (DTC).>

Diagnostic Chart with Trouble Code

AIRBAG SYSTEM (DIAGNOSTICS)

BH:DTC B1660 PASSENGER'S AIRBAG ON INDICATOR FAILURE

DTC DETECTING CONDITION:

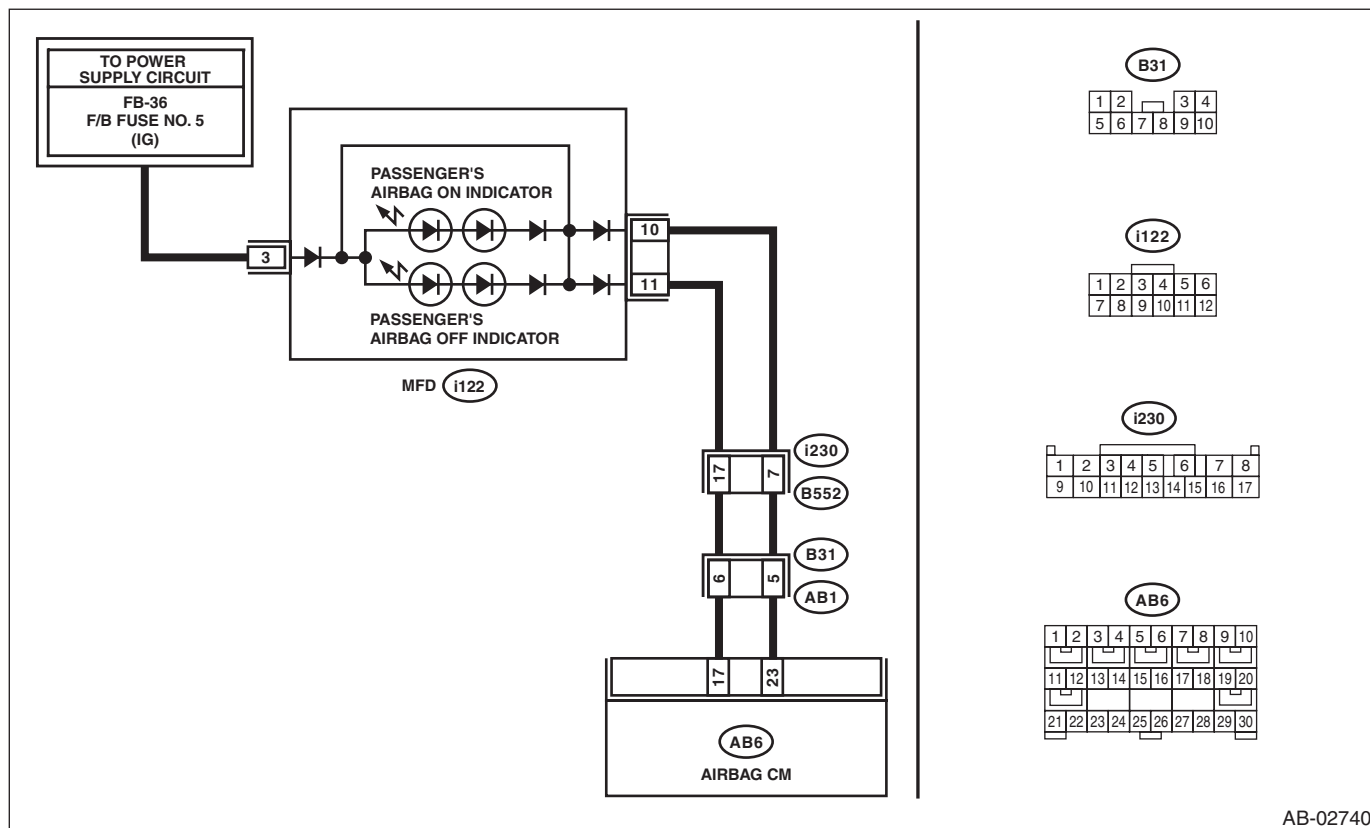
- Passenger's airbag indicator is faulty.
- Airbag control module is faulty.
- Airbag main harness circuit is open or shorted.
- Body harness circuit is open.

CAUTION:

Before performing diagnosis, refer to "CAUTION" in "General Description". <Ref. to AB(diag)-4, CAUTION, General Description.>

WIRING DIAGRAM:

Airbag system <Ref. to WI-30, WIRING DIAGRAM, Airbag System.>



AB-02740

Step	Check	Yes	No
1 CHECK FOR POOR CONTACT. 1) Turn the ignition switch to OFF, disconnect the battery ground cable, and wait for 60 seconds or more. 2) Check that the connector between the airbag control module and MFD is securely connected.	Is there poor contact of any connector?	Repair the bulk-head harness. Or replace the airbag main harness along with body harness.	Go to step 2.
2 CHECK AIRBAG MAIN HARNESS. 1) Disconnect the connectors (AB6, AB17, AB18) from airbag control module. 2) Connect the battery ground terminal and turn the ignition switch to ON. NOTE: Neither of ON/OFF illuminates when it is normal.	Does the passenger's airbag indicator illuminate?	Go to step 3.	Go to step 4.

Diagnostic Chart with Trouble Code

AIRBAG SYSTEM (DIAGNOSTICS)

Step	Check	Yes	No
<p>3</p> <p>CHECK AIRBAG MAIN HARNESS.</p> <p>1) Turn the ignition switch to OFF, disconnect the battery ground cable, and wait for 60 seconds or more.</p> <p>2) Remove the MFD and disconnect the connector (i122).</p> <p>3) Connect the connector (1AG) in the test harness AG to the connectors (AB6, AB17, AB18).</p> <p>NOTE: Except for XV models, connect test harness AH between the connectors (AB6, AB17, AB18) and (1AG).</p> <p>4) Measure the resistance between connector (2AG) in the test harness AG and chassis ground.</p> <p>Connector & terminal (2AG) No. 9 — (2AG) No. 8: (2AG) No. 9 — Chassis ground: (2AG) No. 8 — Chassis ground:</p>	<p>Is the resistance 1 MΩ or more?</p>	<p>Replace the MFD. <Ref. to IDI-24, REMOVAL, Multi-function Display (MFD).></p>	<p>Repair the bulk-head harness. Or replace the airbag main harness along with body harness.</p>
<p>4</p> <p>CHECK AIRBAG MAIN HARNESS.</p> <p>1) Turn the ignition switch to OFF, disconnect the battery ground cable, and wait for 60 seconds or more.</p> <p>2) Disconnect the connectors (AB6, AB17, AB18) from the airbag control module, and connect the connector (1AH) in the test harness AH.</p> <p>3) Connect the connector (2AH) in the test harness AH and the connector (1AG) in the test harness AG.</p> <p>4) Connect the connectors (7AG) and (8AG) in the test harness AG.</p> <p>5) Connect the battery ground terminal and turn the ignition switch to ON.</p>	<p>Does the passenger's airbag indicator illuminate?</p>	<p>Replace the airbag control module. <Ref. to AB-77, Airbag Control Module.></p>	<p>Go to step 5.</p>
<p>5</p> <p>CHECK AIRBAG MAIN HARNESS.</p> <p>1) Turn the ignition switch to OFF, disconnect the battery ground cable, and wait for 60 seconds or more.</p> <p>2) Remove the MFD and disconnect the connector (i122).</p> <p>3) Measure the resistance between connector (2AG) in the test harness AG and connector (i122).</p> <p>Connector & terminal (2AG) No. 9 — (i122) No. 11: (2AG) No. 8 — (i122) No. 10:</p>	<p>Is the resistance less than 10 Ω?</p>	<p>Go to step 6.</p>	<p>Repair the bulk-head harness. Or replace the airbag main harness along with body harness.</p>
<p>6</p> <p>CHECK BODY HARNESS.</p> <p>1) Turn the ignition switch to ON.</p> <p>2) Measure the voltage between connector (i122) and chassis ground.</p> <p>Connector & terminal (i122) No. 3 (+) — Chassis ground (-):</p>	<p>Is the voltage 10 V or more?</p>	<p>Replace the MFD. <Ref. to IDI-24, REMOVAL, Multi-function Display (MFD).></p>	<p>Check the power supply circuit of MDF.</p>

Diagnostic Chart with Trouble Code

AIRBAG SYSTEM (DIAGNOSTICS)

BI: DTC B1675 SATELLITE SAFING SENSOR FAILURE

DTC DETECTING CONDITION:

- Satellite safing sensor is faulty.
- Airbag control module is faulty.

CAUTION:

Before performing diagnosis, refer to “CAUTION” in “General Description”. <Ref. to AB(diag)-4, CAUTION, General Description.>

	Step	Check	Yes	No
1	REPLACE SATELLITE SAFING SENSOR. 1) Turn the ignition switch to OFF, disconnect the battery ground cable, and wait for 60 seconds or more. 2) Replace the satellite safing sensor with a genuine sensor. <Ref. to AB-101, REMOVAL, Satellite Safing Sensor.>	Does the warning light go off?	Finish the diagnosis.	Replace the airbag control module. <Ref. to AB-77, REMOVAL, Airbag Control Module.>

BJ:DTC B1676 LOST COMMUNICATION WITH SATELLITE SAFING SENSOR

NOTE:

For details on DTC B1676, refer to DTC B1677. <Ref. to AB(diag)-80, DTC B1677 SATELLITE SAFING SENSOR INITIALIZATION INCOMPLETE, Diagnostic Chart with Trouble Code.>

Diagnostic Chart with Trouble Code

AIRBAG SYSTEM (DIAGNOSTICS)

BK:DTC B1677 SATELLITE SAFING SENSOR INITIALIZATION INCOMPLETE

DTC DETECTING CONDITION:

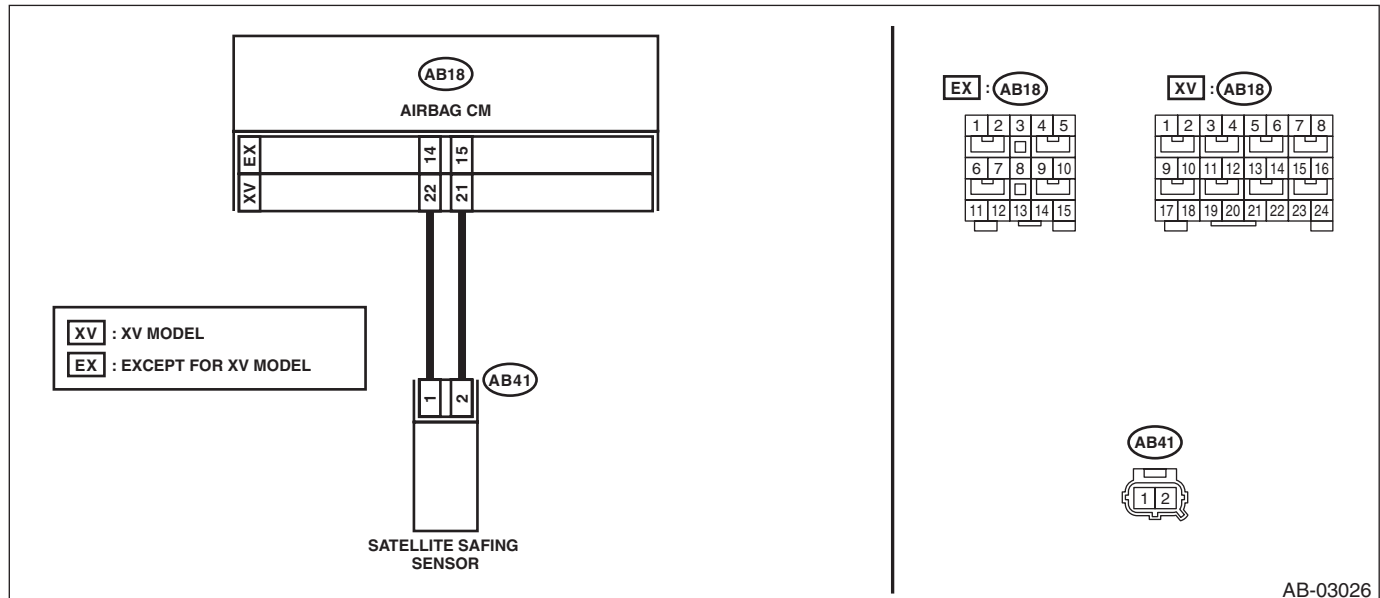
- Open or short circuit in harness of satellite safing sensor.
- Satellite safing sensor is faulty.
- Airbag control module is faulty.

CAUTION:

Before performing diagnosis, refer to “CAUTION” in “General Description”. <Ref. to AB(diag)-4, CAUTION, General Description.>

WIRING DIAGRAM:

Airbag system <Ref. to WI-30, WIRING DIAGRAM, Airbag System.>



AB-03026

Diagnostic Chart with Trouble Code

AIRBAG SYSTEM (DIAGNOSTICS)

Step	Check	Yes	No
<p>1 CHECK POOR CONTACT OF CONNECTORS. Check for poor contact of the connectors (AB18, AB41) between the airbag control module and the satellite safing sensor.</p>	Is there poor contact?	Replace the airbag rear harness along with body harness.	Go to step 2.
<p>2 CHECK AIRBAG REAR HARNESS (BETWEEN AIRBAG CONTROL MODULE AND SATELLITE SAFING SENSOR). 1) Turn the ignition switch to OFF, disconnect the battery ground cable, and wait for 60 seconds or more. 2) Disconnect the connectors (AB21, AB26) from seat belt pretensioner. 3) Disconnect the connectors (AB31, AB33) from curtain airbag module. 4) Disconnect connectors (AB19) and (AB24) from the side airbag module. 5) Disconnect the connectors (AB17, AB6, AB18) from airbag control module. 6) Connect the connector (1AG) in the test harness AG to the connectors (AB6, AB17, AB18). NOTE: Except for XV models, connect test harness AH between the connectors (AB6, AB17, AB18) and (1AG). 7) Connect the connector (2AH) in the test harness AH and the connector (1AG) in the test harness AG. 8) Disconnect the connector (AB41) from the satellite safing sensor and connect to the test harness H connector (1H). 9) Measure the resistance between connector in the test harness AG and connector in the test harness H. Connector & terminal XV model (5AG) No. 15 — (3H) No. 5: (6AG) No. 14 — (3H) No. 6: Except for XV model (4AG) No. 5 — (3H) No. 5: (5AG) No. 13 — (3H) No. 6:</p>	Is the resistance less than 10 Ω?	Go to step 3.	Replace the airbag rear harness along with body harness.
<p>3 CHECK AIRBAG REAR HARNESS (BETWEEN AIRBAG CONTROL MODULE AND SATELLITE SAFING SENSOR). Measure the resistance between connector in the test harness AG and chassis ground, and the resistance between connector terminals in the test harness AG. Connector & terminal XV model (5AG) No. 15 — Chassis ground: (6AG) No. 14 — Chassis ground: (5AG) No. 15 — (6AG) No. 14: Except for XV model (4AG) No. 5 — Chassis ground: (5AG) No. 13 — Chassis ground: (4AG) No. 5 — (5AG) No. 13:</p>	Is the resistance 1 MΩ or more?	Go to step 4.	Replace the airbag rear harness along with body harness.

Diagnostic Chart with Trouble Code

AIRBAG SYSTEM (DIAGNOSTICS)

Step	Check	Yes	No
4 CHECK AIRBAG CONTROL MODULE. 1) Connect all connectors. 2) Clear the memory. 3) Perform the Inspection Mode. 4) Read the DTC. (Current malfunction)	Is the same DTC displayed?	Replace the satellite safing sensor. <Ref. to AB-101, REMOVAL, Satellite Safing Sensor.> Replace the airbag control module if not operating normally even after replacing the sensor. <Ref. to AB-77, REMOVAL, Airbag Control Module.>	Go to step 5.
5 CHECK FOR ANY OTHER DTC ON DISPLAY.	Is any other DTC displayed?	Check DTC using "List of Diagnostic Trouble Code (DTC)". <Ref. to AB(diag)-34, List of Diagnostic Trouble Code (DTC).>	Finish the diagnosis.

Diagnostic Chart with Trouble Code

AIRBAG SYSTEM (DIAGNOSTICS)

BL:DTC B16F8 SATELLITE SAFING SENSOR RECOGNITION ERROR

DTC DETECTING CONDITION:

- Satellite safing sensor is misinstalled.
- Airbag control module is faulty.

Step	Check	Yes	No
1 REPLACE SATELLITE SAFING SENSOR. 1) Turn the ignition switch to OFF, disconnect the battery ground cable, and wait for 60 seconds or more. 2) Replace the satellite safing sensor with a genuine sensor. <Ref. to AB-101, REMOVAL, Satellite Safing Sensor.>	Does the warning light go off?	Finish the diagnosis.	Replace the airbag control module. <Ref. to AB-77, REMOVAL, Airbag Control Module.>

BM:DTC B16F9 DOOR SENSOR RH RECOGNITION ERROR

DTC DETECTING CONDITION:

- Front door impact sensor (RH) is misinstalled.
- Airbag control module is faulty.

CAUTION:

Before performing diagnosis, refer to “CAUTION” in “General Description”. <Ref. to AB(diag)-4, CAUTION, General Description.>

Step	Check	Yes	No
1 REPLACE FRONT DOOR IMPACT SENSOR (RH). 1) Turn the ignition switch to OFF, disconnect the battery ground cable, and wait for 60 seconds or more. 2) Replace the front door impact sensor (RH) with a genuine sensor. <Ref. to AB-85, REMOVAL, Front Door Impact Sensor.>	Does the warning light go off?	Finish the diagnosis.	Replace the airbag control module. <Ref. to AB-77, REMOVAL, Airbag Control Module.>

BN:DTC B1690 DOOR SENSOR RH FAILURE

DTC DETECTING CONDITION:

Front door impact sensor (RH) is faulty.

If DTC B1690 is displayed, the circuit within the front door impact sensor (RH) is faulty.

Replace the front door impact sensor (RH). <Ref. to AB-85, REMOVAL, Front Door Impact Sensor.>

BO:DTC B1692 LOST COMMUNICATION WITH DOOR SENSOR RH

NOTE:

For details on DTC B1692, refer to DTC B1693. <Ref. to AB(diag)-84, DTC B1693 DOOR SENSOR RH INITIALIZATION INCOMPLETE, Diagnostic Chart with Trouble Code.>

Diagnostic Chart with Trouble Code

AIRBAG SYSTEM (DIAGNOSTICS)

BP:DTC B1693 DOOR SENSOR RH INITIALIZATION INCOMPLETE

DTC DETECTING CONDITION:

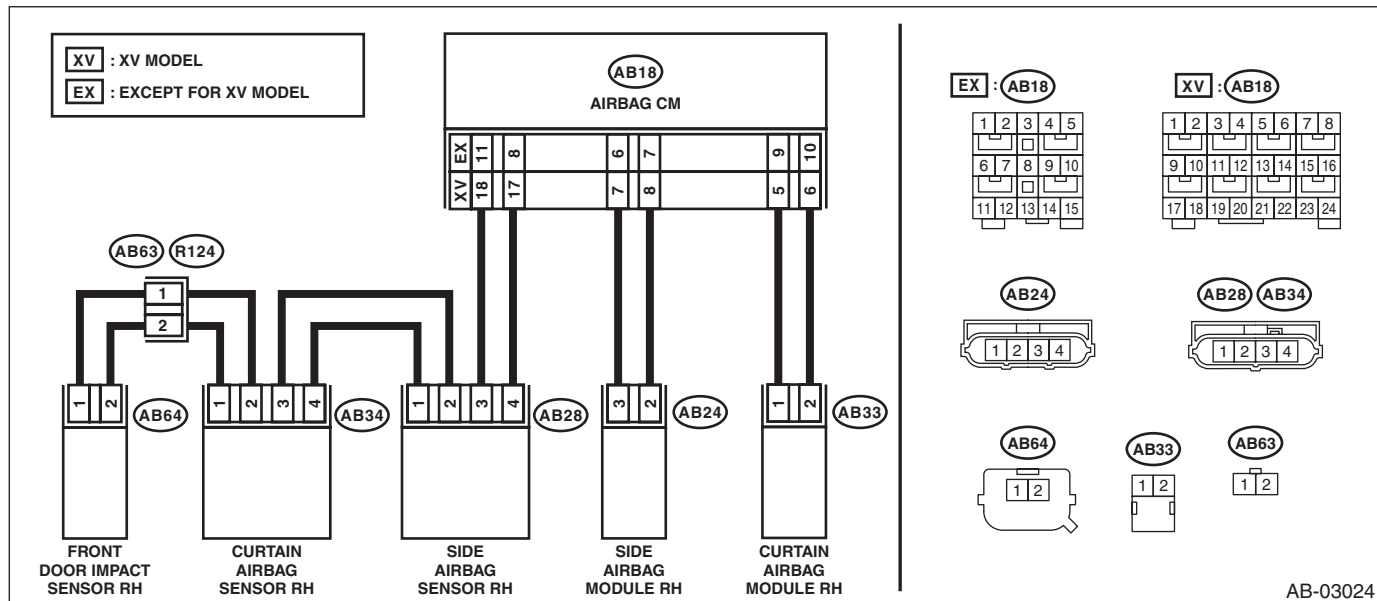
- Open or short circuit in harness of side sensor bus (RH).
- Front door impact sensor (RH) is faulty.
- Curtain airbag sensor (RH) is faulty.
- Airbag control module is faulty.

CAUTION:

Before performing diagnosis, refer to “CAUTION” in “General Description”. <Ref. to AB(diag)-4, CAUTION, General Description.>

WIRING DIAGRAM:

Airbag system <Ref. to WI-30, WIRING DIAGRAM, Airbag System.>



Step	Check	Yes	No	
1	CHECK DTC. Read the DTC. (Current malfunction)	Is DTC B1622 or B1623 displayed?	Perform the diagnosis according to DTC.	Go to step 2.
2	CHECK DTC. Read the DTC. (Current malfunction)	Is DTC B1632 or B1633 displayed?	Perform the diagnosis according to DTC.	Go to step 3.
3	CHECK POOR CONTACT OF CONNECTORS. Check for poor contact of the connectors between the airbag control module and the front door impact sensor (RH).	Is there poor contact?	Replace the airbag rear harness and the door harness.	Go to step 4.

Diagnostic Chart with Trouble Code

AIRBAG SYSTEM (DIAGNOSTICS)

Step	Check	Yes	No
<p>4</p> <p>CHECK AIRBAG REAR HARNESS AND DOOR HARNESS (BETWEEN CURTAIN AIRBAG SENSOR RH AND DOOR SENSOR RH).</p> <p>1) Turn the ignition switch to OFF, disconnect the battery ground cable, and wait for 60 seconds or more.</p> <p>2) Disconnect the connector (AB26) from seat belt pretensioner (RH).</p> <p>3) Disconnect the connector (AB33) from curtain airbag module (RH).</p> <p>4) Disconnect connector (AB24) from side airbag module (RH).</p> <p>5) Disconnect the connector (AB34) from curtain airbag sensor (RH), and connect the connector (2V) in test harness V to connector (AB34).</p> <p>6) Disconnect the connector (AB64) from the front door impact sensor (RH), and connect the connector (1H) in the test harness H to connector (AB64).</p> <p>7) Measure the resistance between connector (3V) in the test harness V and connector (3H) in the test harness H.</p> <p>Connector & terminal (3V) No. 4 — (3H) No. 5: (3V) No. 5 — (3H) No. 6:</p>	<p>Is the resistance less than 10 Ω?</p>	<p>Go to step 5.</p>	<p>Check the door harness, and if any fault is found, replace the harness. If there is no fault, replace the airbag rear harness together with body harness.</p>
<p>5</p> <p>CHECK AIRBAG REAR HARNESS AND DOOR HARNESS (BETWEEN CURTAIN AIRBAG SENSOR RH AND DOOR SENSOR RH).</p> <p>Measure the resistance between connector (3V) in test harness V and chassis ground, and the resistance between connector (3V) terminals in test harness V.</p> <p>Connector & terminal (3V) No. 4 — Chassis ground: (3V) No. 5 — Chassis ground: (3V) No. 4 — (3V) No. 5:</p>	<p>Is the resistance 1 MΩ or more?</p>	<p>Go to step 6.</p>	<p>Check the door harness, and if any fault is found, replace the harness. If there is no fault, replace the airbag rear harness together with body harness.</p>
<p>6</p> <p>CHECK AIRBAG CONTROL MODULE.</p> <p>1) Connect all connectors.</p> <p>2) Clear the memory.</p> <p>3) Perform the Inspection Mode.</p> <p>4) Read the DTC. (Current malfunction)</p>	<p>Is the same DTC displayed?</p>	<p>Go to step 7.</p>	<p>Go to step 9.</p>
<p>7</p> <p>REPLACE FRONT DOOR IMPACT SENSOR (RH) AND CHECK AIRBAG CONTROL MODULE AFTER REPLACEMENT.</p> <p>1) Turn the ignition switch to OFF, disconnect the battery ground cable, and wait for 60 seconds or more.</p> <p>2) Replace the front door impact sensor (RH). <Ref. to AB-85, REMOVAL, Front Door Impact Sensor.></p> <p>3) Connect all connectors.</p> <p>4) Clear the memory.</p> <p>5) Perform the Inspection Mode.</p> <p>6) Read the DTC. (Current malfunction)</p>	<p>Is the same DTC displayed?</p>	<p>Go to step 8.</p>	<p>Go to step 9.</p>

Diagnostic Chart with Trouble Code

AIRBAG SYSTEM (DIAGNOSTICS)

Step	Check	Yes	No
8 REPLACE CURTAIN AIRBAG SENSOR (RH) AND CHECK AIRBAG CONTROL MODULE AFTER REPLACEMENT. 1) Turn the ignition switch to OFF, disconnect the battery ground cable, and wait for 60 seconds or more. 2) Replace the curtain airbag sensor (RH). <Ref. to AB-93, REMOVAL, Curtain Airbag Sensor.> 3) Connect all connectors. 4) Clear the memory. 5) Perform the Inspection Mode. 6) Read the DTC. (Current malfunction)	Is the same DTC displayed?	Replace the airbag control module. <Ref. to AB-77, REMOVAL, Airbag Control Module.>	Go to step 9.
9 CHECK FOR ANY OTHER DTC ON DISPLAY.	Is any other DTC displayed?	Check DTC using "List of Diagnostic Trouble Code". <Ref. to AB(diag)-34, LIST, List of Diagnostic Trouble Code (DTC).>	Finish the diagnosis.

Diagnostic Chart with Trouble Code

AIRBAG SYSTEM (DIAGNOSTICS)

BQ:DTC B16FA LOST COMMUNICATION WITH DOOR SENSOR LH

DTC DETECTING CONDITION:

- Front door impact sensor (LH) is misinstalled.
- Airbag control module is faulty.

CAUTION:

Before performing diagnosis, refer to “CAUTION” in “General Description”. <Ref. to AB(diag)-4, CAUTION, General Description.>

	Step	Check	Yes	No
1	REPLACE FRONT DOOR IMPACT SENSOR (LH). 1) Turn the ignition switch to OFF, disconnect the battery ground cable, and wait for 60 seconds or more. 2) Replace the front door impact sensor (LH) with a genuine sensor. <Ref. to AB-85, REMOVAL, Front Door Impact Sensor.>	Does the warning light go off?	Finish the diagnosis.	Replace the airbag control module. <Ref. to AB-77, REMOVAL, Airbag Control Module.>

BR:DTC B1695 DOOR SENSOR LH FAILURE

DTC DETECTING CONDITION:

Front door impact sensor (LH) is faulty.

If DTC AB is displayed, the circuit within the front door impact sensor (LH) is faulty.

Replace the front door impact sensor (LH). <Ref. to AB-85, REMOVAL, Front Door Impact Sensor.>

BS:DTC B1697 LOST COMMUNICATION WITH DOOR SENSOR LH

NOTE:

For details on DTC B1697, refer to DTC B1698. <Ref. to AB(diag)-88, DTC B1698 DOOR SENSOR LH INITIALIZATION INCOMPLETE, Diagnostic Chart with Trouble Code.>

Diagnostic Chart with Trouble Code

AIRBAG SYSTEM (DIAGNOSTICS)

BT:DTC B1698 DOOR SENSOR LH INITIALIZATION INCOMPLETE

DTC DETECTING CONDITION:

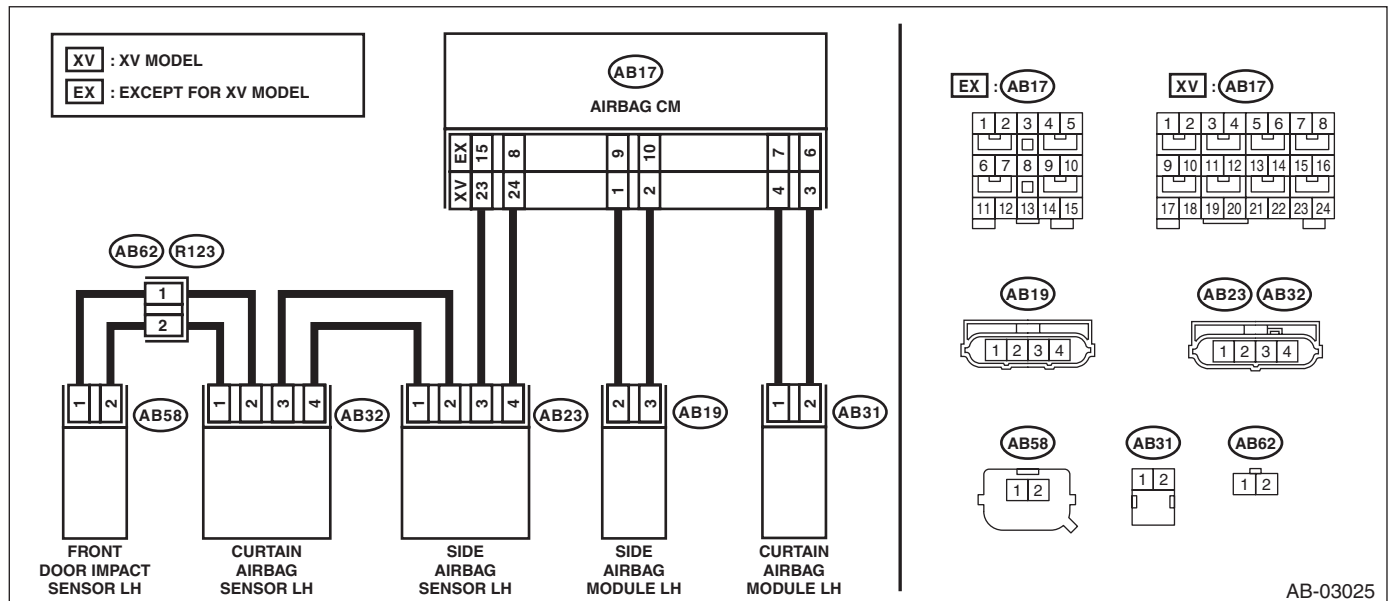
- Open or short circuit in harness of side sensor bus (LH).
- Front door impact sensor (LH) is faulty.
- Curtain airbag sensor (LH) is faulty.
- Airbag control module is faulty.

CAUTION:

Before performing diagnosis, refer to “CAUTION” in “General Description”. <Ref. to AB(diag)-4, CAUTION, General Description.>

WIRING DIAGRAM:

Airbag system <Ref. to WI-30, WIRING DIAGRAM, Airbag System.>



Step	Check	Yes	No	
1	CHECK DTC. Read the DTC. (Current malfunction)	Is DTC B1627 or B1628 displayed?	Perform the diagnosis according to DTC.	Go to step 2.
2	CHECK DTC. Read the DTC. (Current malfunction)	Is DTC B1637 or B1638 displayed?	Perform the diagnosis according to DTC.	Go to step 3.
3	CHECK POOR CONTACT OF CONNECTORS. Check for poor contact of the connectors between the airbag control module and the front door impact sensor (LH).	Is there poor contact?	Replace the airbag rear harness and the door harness.	Go to step 4.

Diagnostic Chart with Trouble Code

AIRBAG SYSTEM (DIAGNOSTICS)

Step	Check	Yes	No
<p>4</p> <p>CHECK AIRBAG REAR HARNESS AND DOOR HARNESS (BETWEEN CURTAIN AIRBAG SENSOR LH AND FRONT DOOR IMPACT SENSOR LH).</p> <p>1) Turn the ignition switch to OFF, disconnect the battery ground cable, and wait for 60 seconds or more.</p> <p>2) Disconnect the connector (AB21) from seat belt pretensioner (LH).</p> <p>3) Disconnect the connector (AB31) from curtain airbag module (LH).</p> <p>4) Disconnect connector (AB19) from side airbag module (LH).</p> <p>5) Disconnect the connector (AB32) from curtain airbag sensor (LH), and connect the connector (2V) in test harness V to connector (AB32).</p> <p>6) Disconnect the connector (AB58) from the front door impact sensor (LH), and connect the connector (1H) in the test harness H to connector (AB58).</p> <p>7) Measure the resistance between connector (3V) in the test harness V and connector (3H) in the test harness H.</p> <p>Connector & terminal (3V) No. 4 — (3H) No. 5: (3V) No. 5 — (3H) No. 6:</p>	<p>Is the resistance less than 10 Ω?</p>	<p>Go to step 5.</p>	<p>Check the door harness, and if any fault is found, replace the harness. If there is no fault, replace the airbag rear harness together with body harness.</p>
<p>5</p> <p>CHECK AIRBAG REAR HARNESS AND DOOR HARNESS (BETWEEN CURTAIN AIRBAG SENSOR LH AND FRONT DOOR IMPACT SENSOR LH).</p> <p>Measure the resistance between connector (3V) in test harness V and chassis ground, and the resistance between connector (3V) terminals in test harness V.</p> <p>Connector & terminal (3V) No. 4 — Chassis ground: (3V) No. 5 — Chassis ground: (3V) No. 4 — (3V) No. 5:</p>	<p>Is the resistance 1 MΩ or more?</p>	<p>Go to step 6.</p>	<p>Check the door harness, and if any fault is found, replace the harness. If there is no fault, replace the airbag rear harness together with body harness.</p>
<p>6</p> <p>CHECK AIRBAG CONTROL MODULE.</p> <p>1) Connect all connectors.</p> <p>2) Clear the memory.</p> <p>3) Perform the Inspection Mode.</p> <p>4) Read the DTC. (Current malfunction)</p>	<p>Is the same DTC displayed?</p>	<p>Go to step 7.</p>	<p>Go to step 9.</p>
<p>7</p> <p>REPLACE FRONT DOOR IMPACT SENSOR (LH) AND CHECK AIRBAG CONTROL MODULE AFTER REPLACEMENT.</p> <p>1) Turn the ignition switch to OFF, disconnect the battery ground cable, and wait for 60 seconds or more.</p> <p>2) Replace the front door impact sensor (LH). <Ref. to AB-85, REMOVAL, Front Door Impact Sensor.></p> <p>3) Connect all connectors.</p> <p>4) Clear the memory.</p> <p>5) Perform the Inspection Mode.</p> <p>6) Read the DTC. (Current malfunction)</p>	<p>Is the same DTC displayed?</p>	<p>Go to step 8.</p>	<p>Go to step 9.</p>

Diagnostic Chart with Trouble Code

AIRBAG SYSTEM (DIAGNOSTICS)

Step	Check	Yes	No
8 REPLACE CURTAIN AIRBAG SENSOR (LH) AND CHECK AIRBAG CONTROL MODULE AFTER REPLACEMENT. 1) Turn the ignition switch to OFF, disconnect the battery ground cable, and wait for 60 seconds or more. 2) Replace the curtain airbag sensor (LH). <Ref. to AB-93, REMOVAL, Curtain Airbag Sensor.> 3) Connect all connectors. 4) Clear the memory. 5) Perform the Inspection Mode. 6) Read the DTC. (Current malfunction)	Is the same DTC displayed?	Replace the airbag control module. <Ref. to AB-77, REMOVAL, Airbag Control Module.>	Go to step 9.
9 CHECK FOR ANY OTHER DTC ON DISPLAY. Read the DTC. (Current malfunction)	Is any other DTC displayed?	Check DTC using "List of Diagnostic Trouble Code". <Ref. to AB(diag)-34, LIST, List of Diagnostic Trouble Code (DTC).>	Finish the diagnosis.

Diagnostic Chart with Trouble Code

AIRBAG SYSTEM (DIAGNOSTICS)

BU:DTC B161A LOST COMMUNICATION WITH FRONT SATELLITE SENSOR BUS

DTC DETECTING CONDITION:

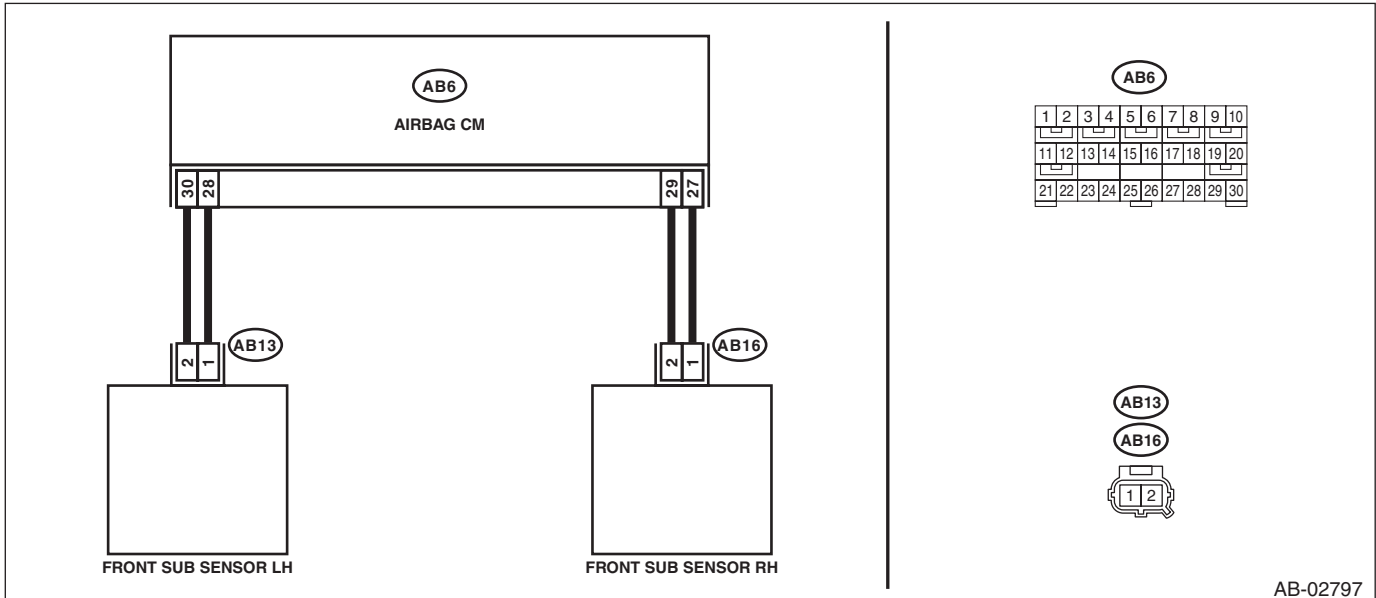
- Harness between airbag control module and front sub sensor is open or shorted.
- Front sub sensor is faulty.
- Airbag control module is faulty.

CAUTION:

Before performing diagnosis, refer to "CAUTION" in "General Description". <Ref. to AB(diag)-4, CAUTION, General Description.>

WIRING DIAGRAM:

Airbag system <Ref. to WI-30, WIRING DIAGRAM, Airbag System.>



Diagnostic Chart with Trouble Code

AIRBAG SYSTEM (DIAGNOSTICS)

Step	Check	Yes	No
1 CHECK POOR CONTACT OF CONNECTORS. Check for poor contact of the connectors between the airbag control module and the front sub sensor.	Is there poor contact?	Replace the airbag main harness along with body harness.	Go to step 2.
2 CHECK AIRBAG MAIN HARNESS (FRONT SENSOR BUS LH). 1) Turn the ignition switch to OFF, disconnect the battery ground cable, and wait for 60 seconds or more. 2) Remove the instrument panel lower cover and column cover, and disconnect the connectors (AB7) and (AB2). 3) Remove the console front panel and disconnect the connector (AB9). 4) Disconnect the connectors (AB6, AB17, AB18) from airbag control module. 5) Connect the connector (1AG) in the test harness AG to the connectors (AB6, AB17, AB18). NOTE: Except for XV models, connect test harness AH between the connectors (AB6, AB17, AB18) and (1AG). 6) Disconnect the connector (AB13) from the front sub sensor (LH), and then connect the connector (1H) in the test harness H to connector (AB13). 7) Measure the resistance between connector (4AG) in the test harness AG and connector (3H) in the test harness H. Connector & terminal (4AG) No. 7 — (3H) No. 5: (4AG) No. 9 — (3H) No. 6:	Is the resistance less than 10 Ω ?	Go to step 3.	Replace the airbag main harness along with body harness.
3 CHECK AIRBAG MAIN HARNESS (FRONT SENSOR BUS LH). Measure the resistance between connector (4AG) in the test harness AG and chassis ground, and the resistance between connector (4AG) terminals in the test harness AG. Connector & terminal (4AG) No. 7 — Chassis ground: (4AG) No. 9 — Chassis ground: (4AG) No. 7 — (4AG) No. 9:	Is the resistance 1 M Ω or more?	Go to step 4.	Replace the airbag rear harness along with body harness.
4 CHECK AIRBAG MAIN HARNESS (FRONT SENSOR BUS RH). 1) Disconnect the connector (AB16) from the front sub sensor (RH), and then connect the connector (1H) in the test harness H to connector (AB16). 2) Measure the resistance between connector (4AG) in the test harness AG and connector (3H) in the test harness H. Connector & terminal (4AG) No. 14 — (3H) No. 5: (4AG) No. 12 — (3H) No. 6:	Is the resistance less than 10 Ω ?	Go to step 5.	Replace the airbag main harness along with body harness.

Diagnostic Chart with Trouble Code

AIRBAG SYSTEM (DIAGNOSTICS)

Step	Check	Yes	No
5 CHECK AIRBAG MAIN HARNESS (FRONT SENSOR BUS RH). Measure the resistance between connector (4AG) in the test harness AG and chassis ground, and the resistance between connector (4AG) terminals in the test harness AG. Connector & terminal (4AG) No. 12 — Chassis ground: (4AG) No. 14 — Chassis ground: (4AG) No. 12 — (4AG) No. 14:	Is the resistance 1 MΩ or more?	Go to step 6.	Replace the airbag rear harness along with body harness.
6 CHECK AIRBAG CONTROL MODULE. 1) Connect all connectors. 2) Clear the memory. 3) Perform the Inspection Mode. 4) Read the DTC. (Current malfunction)	Is the same DTC displayed?	Replace the front sub sensor (LH) and front sub sensor (RH). <Ref. to AB-81, REMOVAL, Front Sub Sensor.> Replace the airbag control module if not operating normally even after replacing the sensor. <Ref. to AB-77, REMOVAL, Airbag Control Module.>	Go to step 7.
7 CHECK FOR ANY OTHER DTC ON DISPLAY.	Is any other DTC displayed?	Check DTC using "List of Diagnostic Trouble Code". <Ref. to AB(diag)-34, List of Diagnostic Trouble Code (DTC).>	Finish the diagnosis.

Diagnostic Chart with Trouble Code

AIRBAG SYSTEM (DIAGNOSTICS)

BV:DTC B16F1 PASSENGER'S SEAT BELT WARNING FAILURE

DTC DETECTING CONDITION:

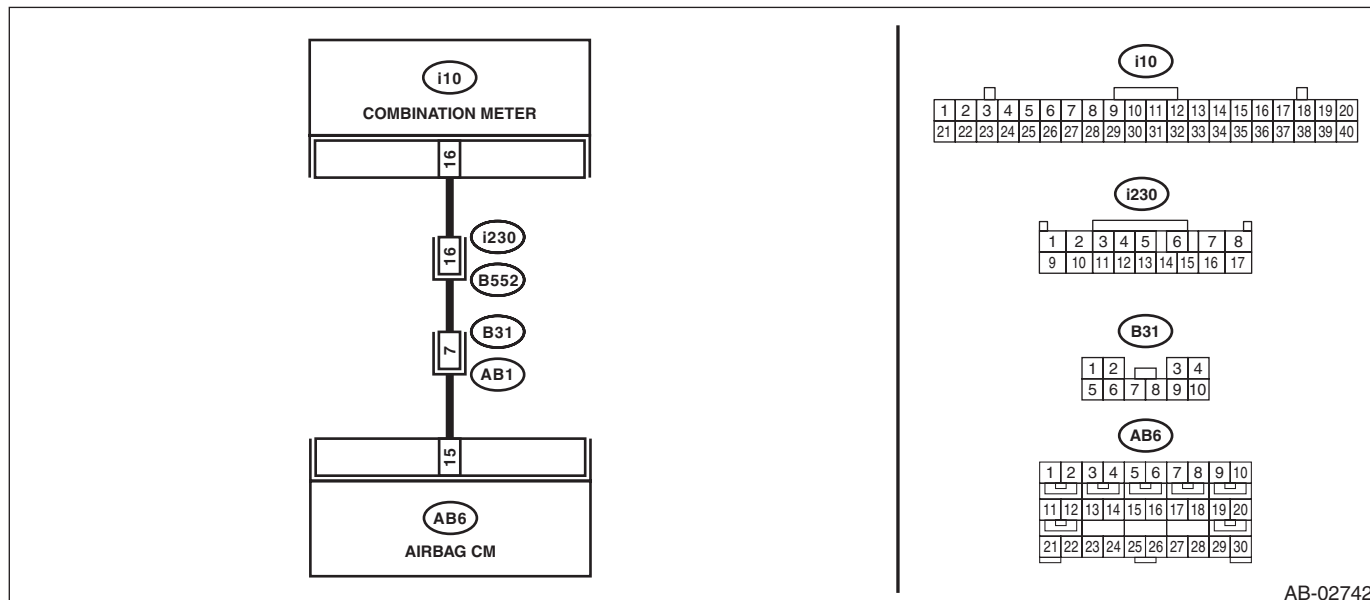
- Airbag control module is faulty.
- Meter is faulty.
- Harness circuits between meter and airbag control module are open, shorted or shorted to ground.

CAUTION:

Before performing diagnosis, refer to "CAUTION" in "General Description". <Ref. to AB(diag)-4, CAUTION, General Description.>

WIRING DIAGRAM:

Airbag system <Ref. to WI-30, WIRING DIAGRAM, Airbag System.>



AB-02742

Step	Check	Yes	No
1 CHECK AIRBAG HARNESS. 1) Turn the ignition switch to OFF, disconnect the battery ground cable, and wait for 60 seconds or more. 2) Disconnect the connectors (AB6, AB17, AB18) from airbag control module. 3) Connect the battery ground terminal and turn the ignition switch to ON.	Does the passenger's seat belt warning light blink for 6 seconds and go off?	Go to step 3.	Go to step 2.
2 CHECK AIRBAG HARNESS. 1) Turn the ignition switch to OFF. 2) Connect the connector (1AG) in the test harness AG to the connectors (AB6, AB17, AB18). NOTE: Except for XV models, connect test harness AH between the connectors (AB6, AB17, AB18) and (1AG). 3) Measure the resistance between connector (2AG) in the test harness AG and chassis ground. Connector & terminal (2AG) No. 10 — Chassis ground:	Is the resistance 1 MΩ or more?	Replace the meter. <Ref. to IDI-17, REMOVAL, Combination Meter.>	Repair the bulk-head harness and instrument panel harness. Or replace the airbag main harness along with body harness.

Diagnostic Chart with Trouble Code

AIRBAG SYSTEM (DIAGNOSTICS)

Step	Check	Yes	No
3 CHECK AIRBAG HARNESS. 1) Turn the ignition switch to OFF. 2) Connect the connector (1AG) in the test harness AG to the connectors (AB6, AB17, AB18). NOTE: Except for XV models, connect test harness AH between the connectors (AB6, AB17, AB18) and (1AG). 3) Connect the connectors (7AG) and (8AG) in the test harness AG. 4) Turn the ignition switch to ON.	Does the passenger's seat belt warning light blink for 6 seconds, then repeatedly light and go off?	Replace the airbag control module. <Ref. to AB-77, Airbag Control Module.>	Go to step 4.
4 CHECK AIRBAG HARNESS. 1) Turn the ignition switch to OFF. 2) Disconnect the connectors (7AG) and (8AG) in the test harness AG in the condition of step 3. 3) Disconnect the connector (i10) from meter. 4) Measure the resistance between connector (2AG) in the test harness AG and connector (i84). Connector & terminal (2AG) No. 10 — (i10) No. 16:	Is the resistance less than 10 Ω?	Replace the meter. <Ref. to IDI-17, REMOVAL, Combination Meter.>	Repair the bulkhead harness and instrument panel harness. Or replace the airbag main harness along with body harness.

BW:DTC B16F0 PASSENGER'S AIRBAG OFF INDICATOR FAILURE

NOTE:

For details on DTC B16F0, refer to DTC B1660. <Ref. to AB(diag)-77, DTC B1660 PASSENGER'S AIRBAG ON INDICATOR FAILURE, Diagnostic Chart with Trouble Code.>

BX:DTC B1760 SENSOR MAT ABNORMAL

NOTE:

Refer to "Occupant Detection System" for details on DTC B1760. <Ref. to OD(diag)-22, DTC B1760 SENSOR MAT ABNORMAL, Diagnostic Procedure with Diagnostic Trouble Code (DTC).>

BY:DTC B1761 SENSOR MAT LIQUID COATING ABNORMAL

NOTE:

Refer to "Occupant Detection System" for details on DTC B1761. <Ref. to OD(diag)-22, DTC B1761 SENSOR MAT LIQUID COATING ABNORMAL, Diagnostic Procedure with Diagnostic Trouble Code (DTC).>

BZ:DTC B1771 BUCKLE SWITCH ABNORMAL

NOTE:

Refer to "Occupant Detection System" for details on DTC B1771. <Ref. to OD(diag)-22, DTC B1771 BUCKLE SWITCH ABNORMAL, Diagnostic Procedure with Diagnostic Trouble Code (DTC).>

CA:DTC B1795 ECU INTERNAL CIRCUIT FAULT

NOTE:

Refer to "Occupant Detection System" for details on DTC B1795. <Ref. to OD(diag)-22, DTC B1795 ECU INTERNAL CIRCUIT FAULT, Diagnostic Procedure with Diagnostic Trouble Code (DTC).>

Diagnostic Chart with Trouble Code

AIRBAG SYSTEM (DIAGNOSTICS)

CB:DTC B1800 SHORT IN DRIVER'S AIRBAG

DTC DETECTING CONDITION:

- Airbag main harness circuit is shorted.
- Airbag module harness (driver's side) circuit is shorted.
- Roll connector circuit is shorted.
- Driver's airbag module is faulty.
- Airbag control module is faulty.

CAUTION:

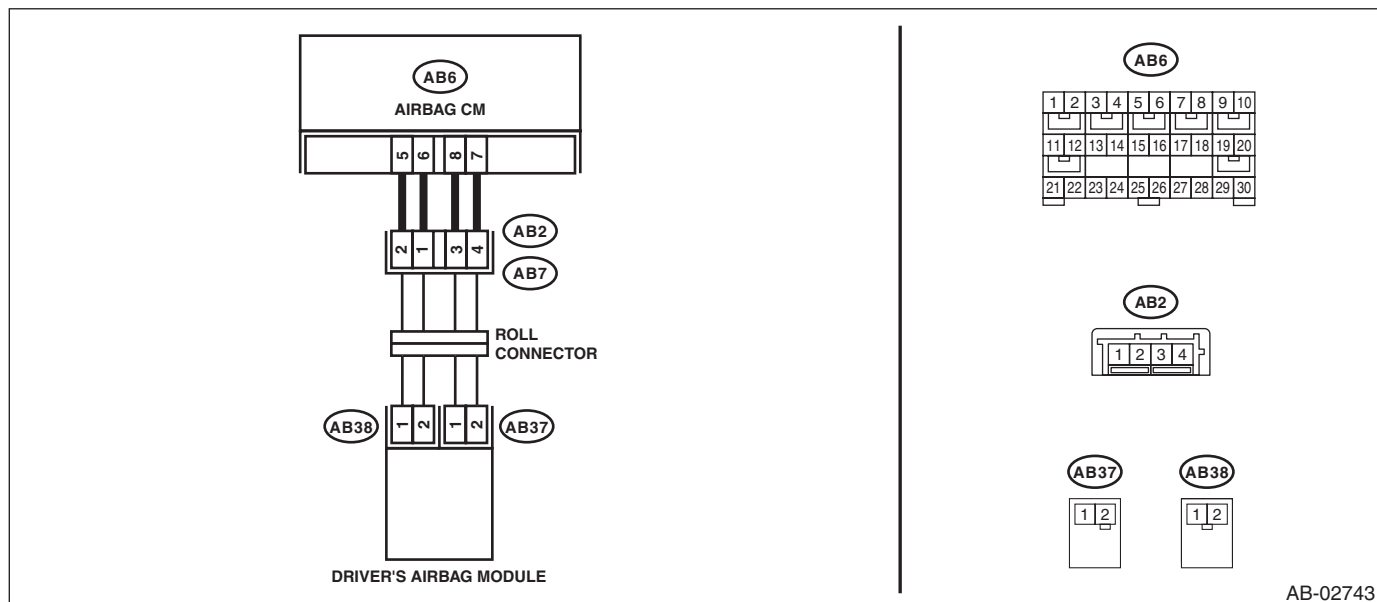
Before performing diagnosis, refer to "CAUTION" in "General Description". <Ref. to AB(diag)-4, CAUTION, General Description.>

NOTE:

Prior to starting work, prepare two AIRBAG RESISTORS (98299PA040).

WIRING DIAGRAM:

Airbag system <Ref. to WI-30, WIRING DIAGRAM, Airbag System.>



AB-02743

Step	Check	Yes	No
1 CHECK POOR CONTACT OF CONNECTORS. Check for poor contact of the connectors between the airbag control module and the driver's airbag module.	Is there poor contact?	Replace the airbag harness.	Go to step 2.
2 CHECK DRIVER'S AIRBAG MODULE. 1) Turn the ignition switch to OFF, disconnect the battery ground cable, and wait for 60 seconds or more. 2) Remove the driver's airbag module. 3) Connect the connector (1N) in the test harness N to the connector (AB38). 4) Connect the airbag resistor to the connector (2N) of test harness N. 5) Connect the connector (1Q) in the test harness Q to connector (AB37). 6) Connect the airbag resistor to the connector (2Q) in the test harness Q. 7) Connect the battery ground terminal and turn the ignition switch to ON.	Does the airbag warning light illuminate for six seconds and go off?	Replace the driver's airbag module. <Ref. to AB-42, Driver's Airbag Module.>	Go to step 3.

Diagnostic Chart with Trouble Code

AIRBAG SYSTEM (DIAGNOSTICS)

Step	Check	Yes	No
<p>3 CHECK ROLL CONNECTOR AND AIRBAG MAIN HARNESS (DRIVER'S AIRBAG HARNESS).</p> <p>1) Turn the ignition switch to OFF, disconnect the battery ground cable, and wait for 60 seconds or more.</p> <p>2) Remove the console front panel and disconnect the connector (AB9).</p> <p>3) Disconnect the driver's knee airbag module connector (AB66).</p> <p>4) Disconnect the airbag resistor from the connector (2N) in test harness N and from the connector (2Q) in test harness Q.</p> <p>5) Disconnect the connectors (AB6, AB17, AB18) from the airbag control module, and connect the connector (1AG) in the test harness AG.</p> <p>NOTE: Except for XV models, connect test harness AH between the connectors (AB6, AB17, AB18) and (1AG).</p> <p>6) Measure the resistance between connector (2Q) terminals in test harness Q.</p> <p>Connector & terminal (2Q) No. 1 — (2Q) No. 2:</p>	<p>Is the resistance 1 MΩ or more?</p>	<p>Go to step 5.</p>	<p>Go to step 4.</p>
<p>4 CHECK AIRBAG MAIN HARNESS (DRIVER'S AIRBAG HARNESS).</p> <p>1) Remove the instrument panel lower cover and column cover, and disconnect the connector (AB7) from (AB2).</p> <p>2) Measure the resistance between connector (3AG) terminals in test harness AG.</p> <p>Connector & terminal (3AG) No. 1 — (3AG) No. 3:</p>	<p>Is the resistance 1 MΩ or more?</p>	<p>Replace the roll connector. <Ref. to AB-104, Roll Connector.></p>	<p>Replace the airbag main harness along with body harness.</p>
<p>5 CHECK AIRBAG CONTROL MODULE.</p> <p>1) Connect all connectors.</p> <p>2) Clear the memory.</p> <p>3) Perform the Inspection Mode.</p> <p>4) Read the DTC. (Current malfunction)</p>	<p>Is the same DTC displayed?</p>	<p>Replace the airbag control module. <Ref. to AB-77, Airbag Control Module.></p>	<p>Go to step 6.</p>
<p>6 CHECK FOR ANY OTHER DTC ON DISPLAY.</p>	<p>Is any other DTC displayed?</p>	<p>Check DTC using "List of Diagnostic Trouble Code (DTC)". <Ref. to AB(diag)-34, List of Diagnostic Trouble Code (DTC).></p>	<p>Finish the diagnosis.</p>

Diagnostic Chart with Trouble Code

AIRBAG SYSTEM (DIAGNOSTICS)

CC:DTC B1801 OPEN IN DRIVER'S AIRBAG

DTC DETECTING CONDITION:

- Airbag main harness circuit is open.
- Airbag module harness (driver's side) circuit is open.
- Roll connector is open.
- Driver's airbag module is faulty.
- Airbag control module is faulty.

CAUTION:

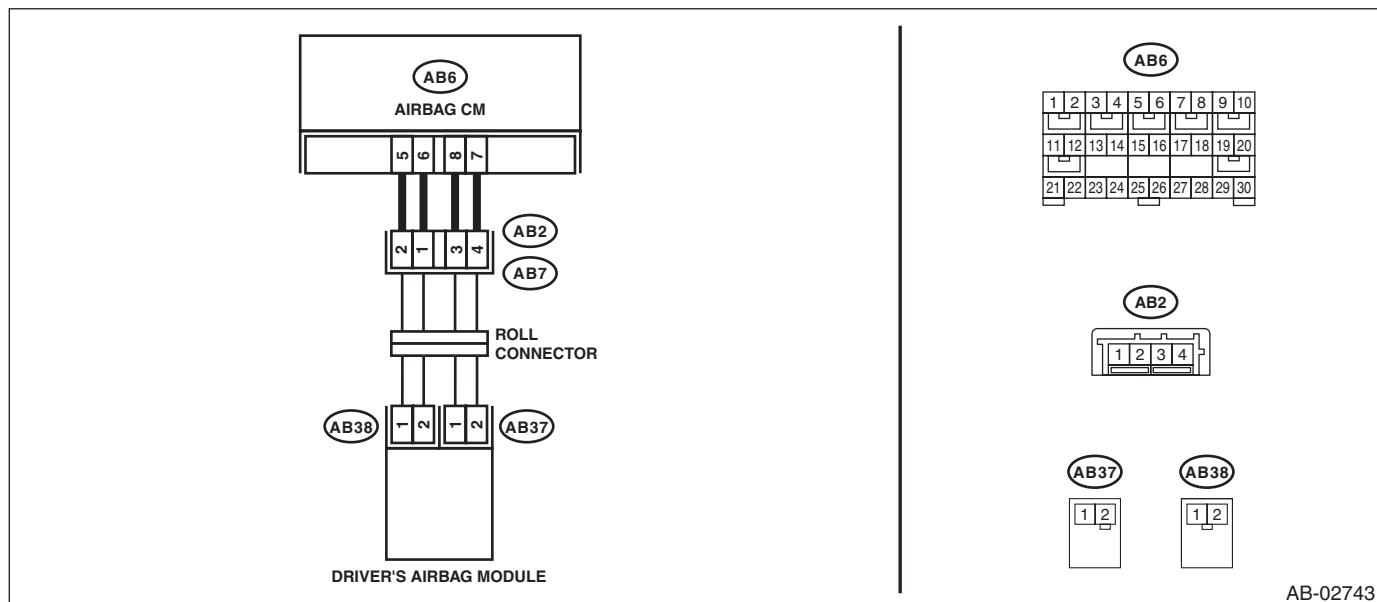
Before performing diagnosis, refer to "CAUTION" in "General Description". <Ref. to AB(diag)-4, CAUTION, General Description.>

NOTE:

Prior to starting work, prepare two AIRBAG RESISTORS (98299PA040).

WIRING DIAGRAM:

Airbag system <Ref. to WI-30, WIRING DIAGRAM, Airbag System.>



AB-02743

Step	Check	Yes	No
1 CHECK POOR CONTACT OF CONNECTORS. Check for poor contact of the connectors between the airbag control module and the driver's airbag module.	Is there poor contact?	Replace the airbag harness.	Go to step 2.
2 CHECK DRIVER'S AIRBAG MODULE. 1) Turn the ignition switch to OFF, disconnect the battery ground cable, and wait for 60 seconds or more. 2) Remove the driver's airbag module. 3) Connect the connector (1N) in the test harness N to the connector (AB38). 4) Connect the airbag resistor to the connector (2N) of test harness N. 5) Connect the connector (1Q) in the test harness Q to connector (AB37). 6) Connect the airbag resistor to the connector (2Q) in the test harness Q. 7) Connect the battery ground terminal and turn the ignition switch to ON.	Does the airbag warning light illuminate for six seconds and go off?	Replace the driver's airbag module. <Ref. to AB-42, Driver's Airbag Module.>	Go to step 3.

Diagnostic Chart with Trouble Code

AIRBAG SYSTEM (DIAGNOSTICS)

Step	Check	Yes	No
3 CHECK ROLL CONNECTOR AND AIRBAG MAIN HARNESS (DRIVER'S AIRBAG HARNESS). 1) Turn the ignition switch to OFF, disconnect the battery ground cable, and wait for 60 seconds or more. 2) Remove the console front panel and disconnect the connector (AB9). 3) Disconnect the driver's knee airbag module connector (AB66). 4) Disconnect the airbag resistor from the connector (2N) in test harness N. 5) Disconnect the airbag resistor from the connector (2Q) of test harness Q. 6) Disconnect the connectors (AB6, AB17, AB18) from airbag control module. 7) Measure the resistance between connector (2Q) terminals in test harness Q. Connector & terminal (2Q) No. 1 — (2Q) No. 2:	Is the resistance less than 10 Ω ?	Go to step 5.	Go to step 4.
4 CHECK ROLL CONNECTOR. 1) Remove the instrument panel lower cover and column cover, and disconnect the connector (AB7) from (AB2). 2) Measure the resistance between connector (2Q) terminals in test harness Q. Connector & terminal (2Q) No. 1 — (2Q) No. 2:	Is the resistance less than 10 Ω ?	Replace the airbag main harness along with body harness.	Replace the roll connector. <Ref. to AB-104, Roll Connector.>
5 CHECK AIRBAG CONTROL MODULE. 1) Connect all connectors. 2) Clear the memory. 3) Perform the Inspection Mode. 4) Read the DTC. (Current malfunction)	Is the same DTC displayed?	Replace the airbag control module. <Ref. to AB-77, Airbag Control Module.>	Go to step 6.
6 CHECK FOR ANY OTHER DTC ON DISPLAY.	Is any other DTC displayed?	Check DTC using "List of Diagnostic Trouble Code (DTC)". <Ref. to AB(diag)-34, List of Diagnostic Trouble Code (DTC).>	Finish the diagnosis.

Diagnostic Chart with Trouble Code

AIRBAG SYSTEM (DIAGNOSTICS)

CD:DTC B1802 SHORT IN DRIVER'S AIRBAG (TO GROUND)

DTC DETECTING CONDITION:

- Airbag main harness circuit is shorted to ground.
- Airbag module harness (driver's side) circuit is shorted to ground.
- Roll connector circuit is shorted to ground.
- Driver's airbag module is faulty.
- Airbag control module is faulty.

CAUTION:

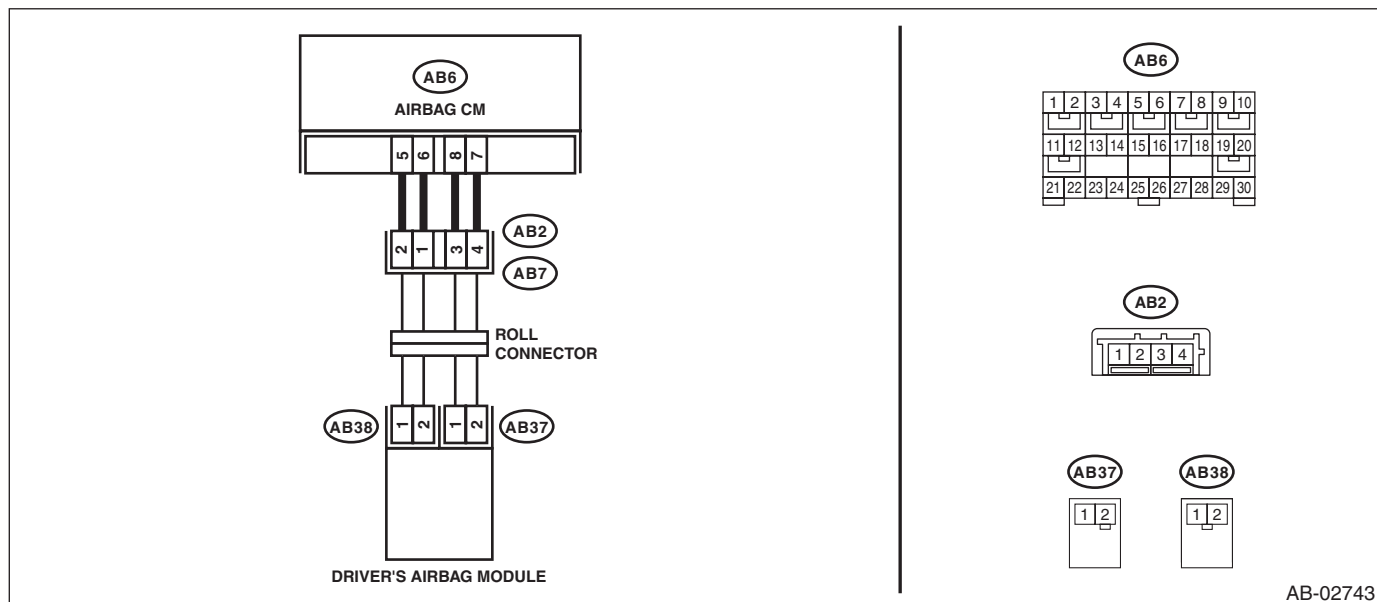
Before performing diagnosis, refer to "CAUTION" in "General Description". <Ref. to AB(diag)-4, CAUTION, General Description.>

NOTE:

Prior to starting work, prepare two AIRBAG RESISTORS (98299PA040).

WIRING DIAGRAM:

Airbag system <Ref. to WI-30, WIRING DIAGRAM, Airbag System.>



AB-02743

Step	Check	Yes	No
1 CHECK POOR CONTACT OF CONNECTORS. Check for poor contact of the connectors between the airbag control module and the driver's airbag module.	Is there poor contact?	Replace the airbag harness.	Go to step 2.
2 CHECK DRIVER'S AIRBAG MODULE. 1) Turn the ignition switch to OFF, disconnect the battery ground cable, and wait for 60 seconds or more. 2) Remove the driver's airbag module. 3) Connect the connector (1N) in the test harness N to the connector (AB38). 4) Connect the airbag resistor to the connector (2N) of test harness N. 5) Connect the connector (1Q) in the test harness Q to connector (AB37). 6) Connect the airbag resistor to the connector (2Q) in the test harness Q. 7) Connect the battery ground terminal and turn the ignition switch to ON.	Does the airbag warning light illuminate for six seconds and go off?	Replace the driver's airbag module. <Ref. to AB-42, Driver's Airbag Module.>	Go to step 3.

Diagnostic Chart with Trouble Code

AIRBAG SYSTEM (DIAGNOSTICS)

Step	Check	Yes	No
3 CHECK ROLL CONNECTOR. 1) Turn the ignition switch to OFF, disconnect the battery ground cable, and wait for 60 seconds or more. 2) Remove the instrument panel lower cover and column cover, and disconnect the connector (AB7) from (AB2). 3) Disconnect the driver's knee airbag module connector (AB66). 4) Disconnect the airbag resistor from the connector (2N) in test harness N and from the connector (2Q) in test harness Q. 5) Measure the resistance between connector (2Q) in the test harness Q and chassis ground. Connector & terminal (2Q) No. 1 — Chassis ground: (2Q) No. 2 — Chassis ground:	Is the resistance 1 MΩ or more?	Go to step 4.	Replace the roll connector. <Ref. to AB-104, Roll Connector.>
4 CHECK AIRBAG MAIN HARNESS (DRIVER'S AIRBAG HARNESS). 1) Disconnect the test harness N from connector (AB38). 2) Disconnect the test harness Q from connector (AB37). 3) Remove the console front panel and disconnect the connector (AB9). 4) Disconnect the connectors (AB6, AB17, AB18) from the airbag control module, and connect the connector (1AG) in the test harness AG. NOTE: Except for XV models, connect test harness AH between the connectors (AB6, AB17, AB18) and (1AG). 5) Measure the resistance between connector (3AG) in the test harness AG and chassis ground. Connector & terminal (3AG) No. 1 — Chassis ground: (3AG) No. 3 — Chassis ground:	Is the resistance 1 MΩ or more?	Go to step 5.	Replace the airbag main harness along with body harness.
5 CHECK AIRBAG CONTROL MODULE. 1) Connect all connectors. 2) Clear the memory. 3) Perform the Inspection Mode. 4) Read the DTC. (Current malfunction)	Is the same DTC displayed?	Replace the airbag control module. <Ref. to AB-77, Airbag Control Module.>	Go to step 6.
6 CHECK FOR ANY OTHER DTC ON DISPLAY.	Is any other DTC displayed?	Check DTC using "List of Diagnostic Trouble Code (DTC)". <Ref. to AB(diag)-34, List of Diagnostic Trouble Code (DTC).>	Finish the diagnosis.

Diagnostic Chart with Trouble Code

AIRBAG SYSTEM (DIAGNOSTICS)

CE:DTC B1803 SHORT IN DRIVER'S AIRBAG (TO +B)

DTC DETECTING CONDITION:

- Airbag main harness circuit is shorted to power supply.
- Airbag module harness (driver's side) circuit is shorted to power supply.
- Roll connector circuit is shorted to power supply.
- Driver's airbag module is faulty.
- Airbag control module is faulty.

CAUTION:

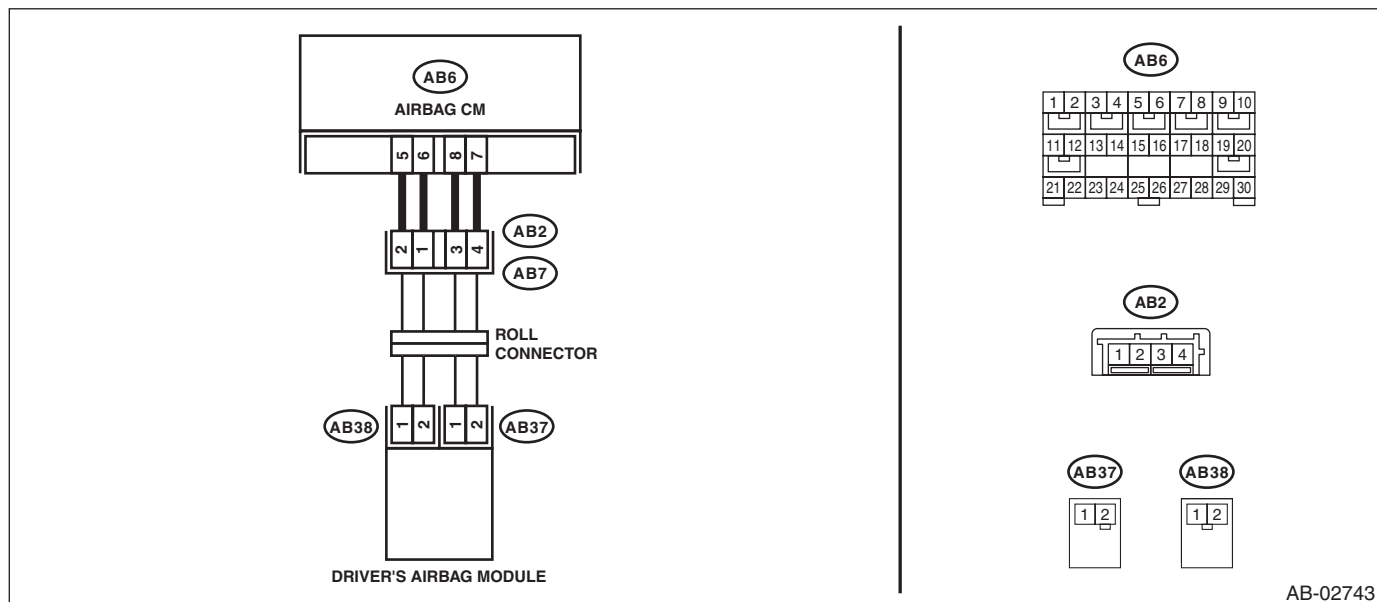
Before performing diagnosis, refer to "CAUTION" in "General Description". <Ref. to AB(diag)-4, CAUTION, General Description.>

NOTE:

Prior to starting work, prepare two AIRBAG RESISTORS (98299PA040).

WIRING DIAGRAM:

Airbag system <Ref. to WI-30, WIRING DIAGRAM, Airbag System.>



AB-02743

Step	Check	Yes	No
1 CHECK POOR CONTACT OF CONNECTORS. Check for poor contact of the connectors between the airbag control module and the driver's airbag module.	Is there poor contact?	Replace the airbag harness.	Go to step 2.
2 CHECK DRIVER'S AIRBAG MODULE. 1) Turn the ignition switch to OFF, disconnect the battery ground cable, and wait for 60 seconds or more. 2) Remove the driver's airbag module. 3) Connect the connector (1N) in the test harness N to the connector (AB38). 4) Connect the airbag resistor to the connector (2N) of test harness N. 5) Connect the connector (1Q) in the test harness Q to connector (AB37). 6) Connect the airbag resistor to the connector (2Q) in the test harness Q. 7) Connect the battery ground terminal and turn the ignition switch to ON.	Does the airbag warning light illuminate for six seconds and go off?	Replace the driver's airbag module. <Ref. to AB-42, Driver's Airbag Module.>	Go to step 3.

Diagnostic Chart with Trouble Code

AIRBAG SYSTEM (DIAGNOSTICS)

Step	Check	Yes	No
<p>3</p> <p>CHECK ROLL CONNECTOR.</p> <p>1) Turn the ignition switch to OFF, disconnect the battery ground cable, and wait for 60 seconds or more.</p> <p>2) Remove the instrument panel lower cover and column cover, and disconnect the connector (AB7) from (AB2).</p> <p>3) Disconnect the driver's knee airbag module connector (AB66).</p> <p>4) Disconnect the airbag resistor from the connector (2N) in test harness N and from the connector (2Q) in test harness Q.</p> <p>5) Measure the voltage between connector (2Q) in the test harness Q and chassis ground.</p> <p>Connector & terminal (2Q) No. 1 (+) — Chassis ground (-): (2Q) No. 2 (+) — Chassis ground (-):</p>	<p>Is the voltage less than 1 V?</p>	<p>Go to step 4.</p>	<p>Replace the roll connector. <Ref. to AB-104, Roll Connector.></p>
<p>4</p> <p>CHECK AIRBAG MAIN HARNESS (DRIVER'S AIRBAG HARNESS).</p> <p>1) Disconnect the test harness N from connector (AB38).</p> <p>2) Disconnect the test harness Q from connector (AB37).</p> <p>3) Remove the console front panel and disconnect the connector (AB9).</p> <p>4) Disconnect the connectors (AB6, AB17, AB18) from the airbag control module, and connect the connector (1AG) in the test harness AG.</p> <p>NOTE: Except for XV models, connect test harness AH between the connectors (AB6, AB17, AB18) and (1AG).</p> <p>5) Connect the battery ground terminal and turn the ignition switch to ON.</p> <p>6) Measure the voltage between connector (3AG) in the test harness AG and chassis ground.</p> <p>Connector & terminal (3AG) No. 1 (+) — Chassis ground (-): (3AG) No. 3 (+) — Chassis ground (-):</p>	<p>Is the voltage less than 1 V?</p>	<p>Go to step 5.</p>	<p>Replace the airbag main harness along with body harness.</p>
<p>5</p> <p>CHECK AIRBAG CONTROL MODULE.</p> <p>1) Connect all connectors.</p> <p>2) Clear the memory.</p> <p>3) Perform the Inspection Mode.</p> <p>4) Read the DTC. (Current malfunction)</p>	<p>Is the same DTC displayed?</p>	<p>Replace the airbag control module. <Ref. to AB-77, Airbag Control Module.></p>	<p>Go to step 6.</p>
<p>6</p> <p>CHECK FOR ANY OTHER DTC ON DISPLAY.</p>	<p>Is any other DTC displayed?</p>	<p>Check DTC using "List of Diagnostic Trouble Code (DTC)". <Ref. to AB(diag)-34, List of Diagnostic Trouble Code (DTC).></p>	<p>Finish the diagnosis.</p>

Diagnostic Chart with Trouble Code

AIRBAG SYSTEM (DIAGNOSTICS)

CF:DTC B1805 SHORT IN PASSENGER'S AIRBAG

DTC DETECTING CONDITION:

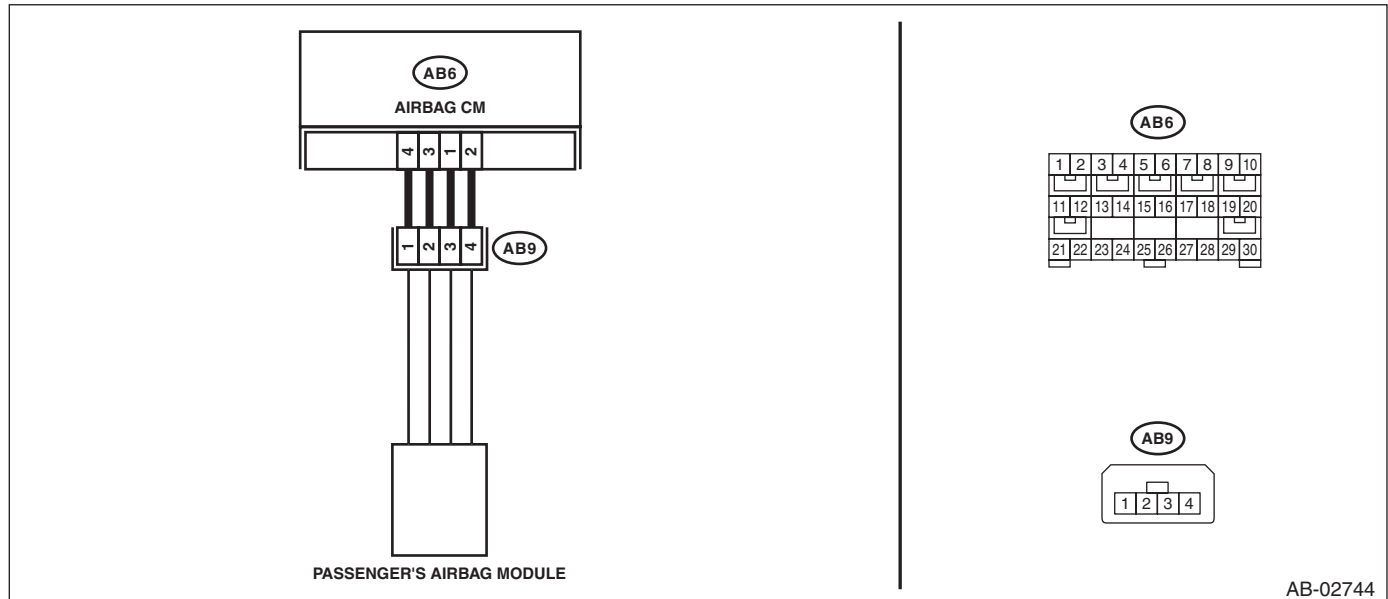
- Airbag main harness circuit is shorted.
- Airbag module harness circuit (passenger's side) is shorted.
- Passenger's airbag module is faulty.
- Airbag control module is faulty.

CAUTION:

Before performing diagnosis, refer to "CAUTION" in "General Description". <Ref. to AB(diag)-4, CAUTION, General Description.>

WIRING DIAGRAM:

Airbag system <Ref. to WI-30, WIRING DIAGRAM, Airbag System.>



	Step	Check	Yes	No
1	CHECK POOR CONTACT OF CONNECTORS. Check for poor contact of the connectors between the airbag control module and the passenger's airbag module.	Is there poor contact?	Replace the airbag harness.	Go to step 2.

Diagnostic Chart with Trouble Code

AIRBAG SYSTEM (DIAGNOSTICS)

Step	Check	Yes	No
<p>2 CHECK AIRBAG MAIN HARNESS (PASSENGER'S AIRBAG HARNESS).</p> <p>1) Turn the ignition switch to OFF, disconnect the battery ground cable, and wait for 60 seconds or more.</p> <p>2) Disconnect the connectors (AB7) and (AB2).</p> <p>3) Disconnect the connector (AB66) from the driver's knee airbag module.</p> <p>4) Disconnect the connectors (AB6, AB17, AB18) from the airbag control module, connect the connector (1AG) in the test harness AG, and release the short mechanism of the connectors (AB6, AB17, AB18).</p> <p>NOTE: Except for XV models, connect the connectors (AB6, AB17, AB18) and the connector (1AH) in the test harness AH.</p> <p>5) Disconnect the passenger's airbag module connector (AB9).</p> <p>6) Using a probe, measure the resistance between the terminals of connector (AB9). <Ref. to AB(diag)-16, HOW TO USE PROBE, PREPARATION TOOL, General Description.></p> <p>CAUTION: When measuring the resistance, make sure that the probe is inserted from the back side (harness side) of the connector. Also, do not insert the probe forcibly.</p> <p>Connector & terminal (AB9) No. 1 — (AB9) No. 2:</p>	<p>Is the resistance 1 MΩ or more?</p>	<p>Go to step 3.</p>	<p>Replace the airbag main harness along with body harness.</p>
<p>3 CHECK AIRBAG CONTROL MODULE.</p> <p>1) Disconnect the test harness AG or test harness AH from the connectors (AB6, AB17, AB18).</p> <p>2) Connect the connectors (AB6, AB17, AB18) and the airbag control module.</p> <p>3) Connect the connectors (AB7) and (AB2).</p> <p>4) Connect the connector (AB66) to the driver's knee airbag module.</p> <p>5) Connect the battery ground terminal and turn the ignition switch to ON.</p> <p>6) Perform the Inspection Mode.</p> <p>7) Read the DTC. (Current malfunction)</p>	<p>Is DTC B1805 displayed?</p>	<p>Replace the airbag control module. <Ref. to AB-77, REMOVAL, Airbag Control Module.></p>	<p>Go to step 4.</p>
<p>4 CHECK PASSENGER'S AIRBAG MODULE.</p> <p>1) Turn the ignition switch to OFF, disconnect the battery ground cable, and wait for 60 seconds or more.</p> <p>2) Connect the passenger's airbag module connector (AB9).</p> <p>3) Connect the battery ground terminal and turn the ignition switch to ON.</p> <p>4) Perform the Inspection Mode.</p> <p>5) Read the DTC. (Current malfunction)</p>	<p>Is DTC B1805 displayed?</p>	<p>Replace the passenger's airbag module. <Ref. to AB-47, REMOVAL, Passenger's Airbag Module.></p>	<p>Go to step 5.</p>
<p>5 CHECK FOR ANY OTHER DTC ON DISPLAY.</p>	<p>Is any other DTC displayed?</p>	<p>Check DTC using "List of Diagnostic Trouble Code (DTC)". <Ref. to AB(diag)-34, List of Diagnostic Trouble Code (DTC).></p>	<p>Finish the diagnosis.</p>

Diagnostic Chart with Trouble Code

AIRBAG SYSTEM (DIAGNOSTICS)

CG:DTC B1806 OPEN IN PASSENGER'S AIRBAG

DTC DETECTING CONDITION:

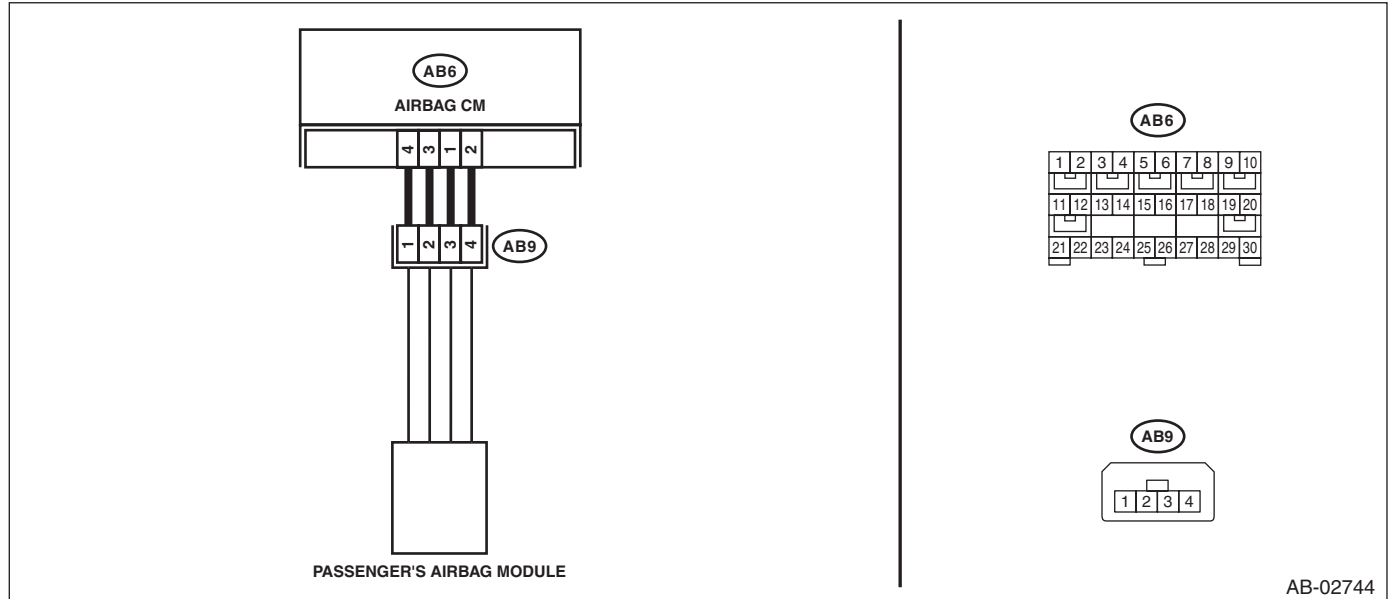
- Airbag main harness circuit is open.
- Airbag module harness (passenger's side) circuit is open.
- Passenger's airbag module is faulty.
- Airbag control module is faulty.

CAUTION:

Before performing diagnosis, refer to "CAUTION" in "General Description". <Ref. to AB(diag)-4, CAUTION, General Description.>

WIRING DIAGRAM:

Airbag system <Ref. to WI-30, WIRING DIAGRAM, Airbag System.>



Diagnostic Chart with Trouble Code

AIRBAG SYSTEM (DIAGNOSTICS)

Step	Check	Yes	No
<p>1 CHECK POOR CONTACT OF CONNECTORS. Check for poor contact of the connectors between the airbag control module and the passenger's airbag module.</p>	Is there poor contact?	Replace the airbag harness.	Go to step 2.
<p>2 CHECK AIRBAG MAIN HARNESS (PASSENGER'S AIRBAG HARNESS). 1) Turn the ignition switch to OFF, disconnect the battery ground cable, and wait for 60 seconds or more. 2) Disconnect the connectors (AB7) and (AB2). 3) Disconnect the connector (AB66) from the driver's knee airbag module. 4) Disconnect the connectors (AB6, AB17, AB18) from airbag control module. 5) Disconnect the passenger's airbag module connector (AB9). 6) Using a probe, measure the resistance between the terminals of connector (AB9). <Ref. to AB(diag)-16, HOW TO USE PROBE, PREPARATION TOOL, General Description.> CAUTION: When measuring the resistance, make sure that the probe is inserted from the back side (harness side) of the connector. Also, do not insert the probe forcibly. <i>Connector & terminal (AB9) No. 1 — (AB9) No. 2:</i></p>	Is the resistance less than 10 Ω?	Go to step 3.	Replace the airbag main harness along with body harness.
<p>3 CHECK AIRBAG CONTROL MODULE. 1) Connect the connectors (AB6, AB17, AB18) and the airbag control module. 2) Connect the connectors (AB7) and (AB2). 3) Connect the connector (AB66) to the driver's knee airbag module. 4) Using a probe, short the terminals No. 1 and No. 2 of connector (AB9). <Ref. to AB(diag)-16, HOW TO USE PROBE, PREPARATION TOOL, General Description.> CAUTION: When shorting the terminals, make sure that the probe is inserted from the back side (harness side) of the connector. Also, do not insert the probe forcibly. <i>Connector & terminal (AB9) No. 1 — (AB9) No. 2:</i> 5) Connect the battery ground terminal and turn the ignition switch to ON. 6) Perform the Inspection Mode. 7) Read the DTC. (Current malfunction)</p>	Is DTC B1806 displayed?	Replace the airbag control module. <Ref. to AB-77, REMOVAL, Airbag Control Module.>	Go to step 4.
<p>4 CHECK PASSENGER'S AIRBAG MODULE. 1) Turn the ignition switch to OFF, disconnect the battery ground cable, and wait for 60 seconds or more. 2) Connect the passenger's airbag module connector (AB9). 3) Connect the battery negative terminal, and clear the memory. 4) Perform the Inspection Mode. 5) Read the DTC. (Current malfunction)</p>	Is DTC B1806 displayed?	Replace the passenger's airbag module. <Ref. to AB-47, REMOVAL, Passenger's Airbag Module.>	Go to step 5.

Diagnostic Chart with Trouble Code

AIRBAG SYSTEM (DIAGNOSTICS)

Step	Check	Yes	No
5 CHECK FOR ANY OTHER DTC ON DISPLAY.	Is any other DTC displayed?	Check DTC using "List of Diagnostic Trouble Code (DTC)". <Ref. to AB(diag)-34, List of Diagnostic Trouble Code (DTC).>	Finish the diagnosis.

Diagnostic Chart with Trouble Code

AIRBAG SYSTEM (DIAGNOSTICS)

CH:DTC B1807 SHORT IN PASSENGER'S AIRBAG (TO GROUND)

DTC DETECTING CONDITION:

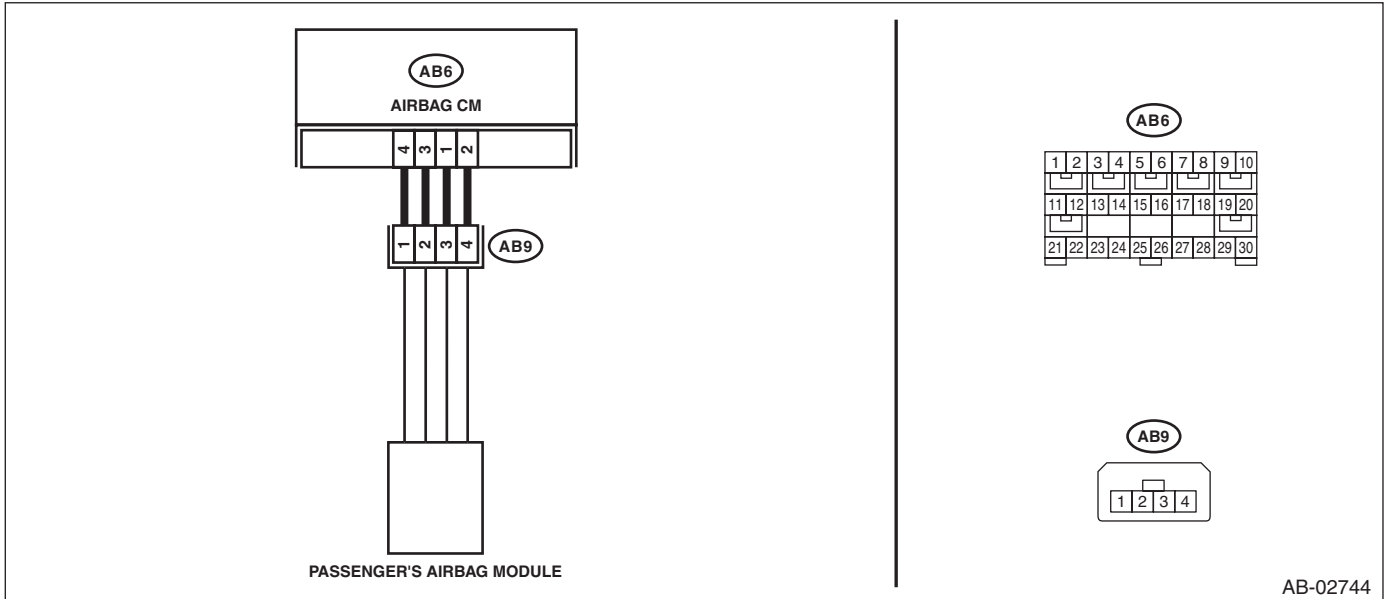
- Airbag main harness circuit is shorted to ground.
- Airbag module harness (passenger's side) circuit is shorted to ground.
- Passenger's airbag module is faulty.
- Airbag control module is faulty.

CAUTION:

Before performing diagnosis, refer to "CAUTION" in "General Description". <Ref. to AB(diag)-4, CAUTION, General Description.>

WIRING DIAGRAM:

Airbag system <Ref. to WI-30, WIRING DIAGRAM, Airbag System.>



Diagnostic Chart with Trouble Code

AIRBAG SYSTEM (DIAGNOSTICS)

Step	Check	Yes	No
1 CHECK POOR CONTACT OF CONNECTORS. Check for poor contact of the connectors between the airbag control module and the passenger's airbag module.	Is there poor contact?	Replace the airbag harness.	Go to step 2.
2 CHECK AIRBAG MAIN HARNESS (PASSENGER'S AIRBAG HARNESS). 1) Turn the ignition switch to OFF, disconnect the battery ground cable, and wait for 60 seconds or more. 2) Disconnect the connectors (AB7) and (AB2). 3) Disconnect the connector (AB66) from the driver's knee airbag module. 4) Disconnect the connectors (AB6, AB17, AB18) from airbag control module. 5) Disconnect the passenger's airbag module connector (AB9). 6) Using a probe, measure the resistance between the connector (AB9) and chassis ground. <Ref. to AB(diag)-16, HOW TO USE PROBE, PREPARATION TOOL, General Description.> CAUTION: When measuring the resistance, make sure that the probe is inserted from the back side (harness side) of the connector. Also, do not insert the probe forcibly. <i>Connector & terminal</i> (AB9) No. 1 — Chassis ground: (AB9) No. 2 — Chassis ground:	Is the resistance 1 MΩ or more?	Go to step 3.	Replace the airbag main harness along with body harness.
3 CHECK AIRBAG CONTROL MODULE. 1) Connect the connectors (AB6, AB17, AB18) and the airbag control module. 2) Using a probe, short the terminals No. 1 and No. 2 of connector (AB9). <Ref. to AB(diag)-16, HOW TO USE PROBE, PREPARATION TOOL, General Description.> CAUTION: When shorting the terminals, make sure that the probe is inserted from the back side (harness side) of the connector. Also, do not insert the probe forcibly. <i>Connector & terminal</i> (AB9) No. 1 — (AB9) No. 2: 3) Connect the battery ground terminal and turn the ignition switch to ON. 4) Perform the Inspection Mode. 5) Read the DTC. (Current malfunction)	Is DTC B1807 displayed?	Replace the airbag control module. <Ref. to AB-77, REMOVAL, Airbag Control Module.>	Go to step 4.

Diagnostic Chart with Trouble Code

AIRBAG SYSTEM (DIAGNOSTICS)

Step	Check	Yes	No
4 CHECK PASSENGER'S AIRBAG MODULE. 1) Turn the ignition switch to OFF, disconnect the battery ground cable, and wait for 60 seconds or more. 2) Release the short circuit of connector (AB9). 3) Connect the passenger's airbag module connector (AB9). 4) Connect the connectors (AB7) and (AB2). 5) Connect the connector (AB66) to the driver's knee airbag module. 6) Connect the battery ground terminal and turn the ignition switch to ON. 7) Perform the Inspection Mode. 8) Read the DTC. (Current malfunction)	Is DTC B1807 displayed?	Replace the passenger's airbag module. <Ref. to AB-47, REMOVAL, Passenger's Airbag Module.>	Go to step 5.
5 CHECK FOR ANY OTHER DTC ON DISPLAY.	Is any other DTC displayed?	Check DTC using "List of Diagnostic Trouble Code (DTC)". <Ref. to AB(diag)-34, List of Diagnostic Trouble Code (DTC).>	Finish the diagnosis.

Diagnostic Chart with Trouble Code

AIRBAG SYSTEM (DIAGNOSTICS)

CI: DTC B1808 SHORT IN PASSENGER'S AIRBAG (TO +B)

DTC DETECTING CONDITION:

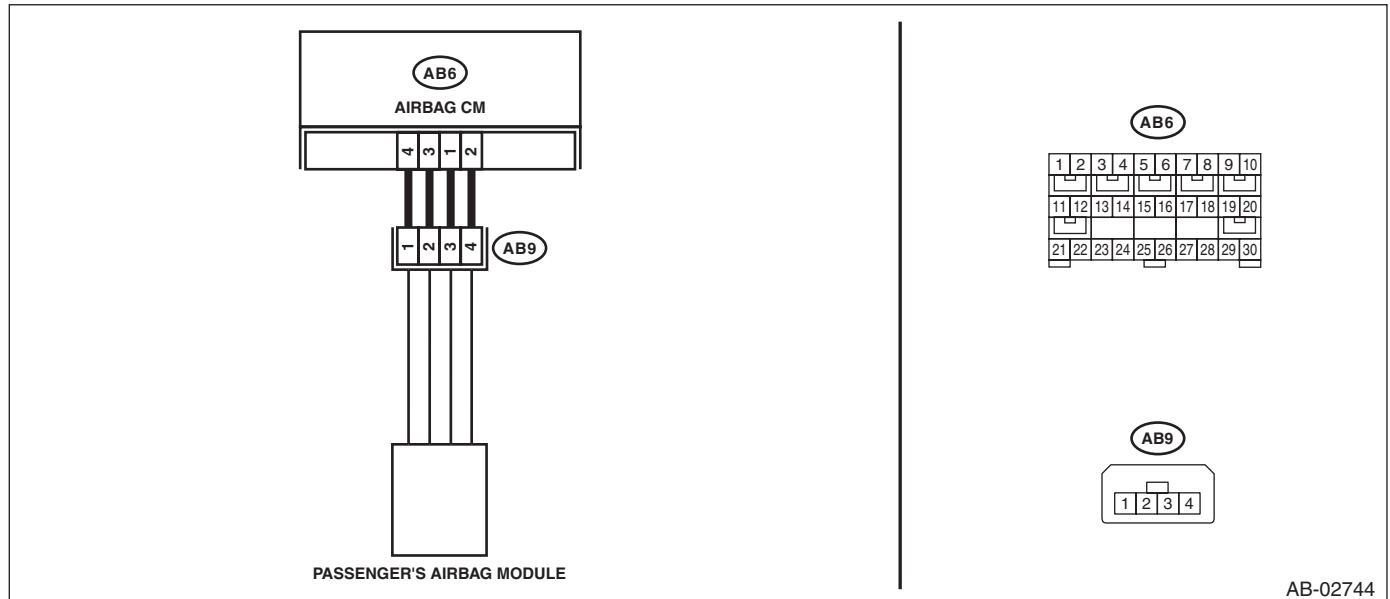
- Airbag main harness circuit is shorted to power supply.
- Airbag module harness (passenger's side) circuit is shorted to power supply.
- Passenger's airbag module is faulty.
- Airbag control module is faulty.

CAUTION:

Before performing diagnosis, refer to "CAUTION" in "General Description". <Ref. to AB(diag)-4, CAUTION, General Description.>

WIRING DIAGRAM:

Airbag system <Ref. to WI-30, WIRING DIAGRAM, Airbag System.>



Diagnostic Chart with Trouble Code

AIRBAG SYSTEM (DIAGNOSTICS)

Step	Check	Yes	No
<p>1 CHECK POOR CONTACT OF CONNECTORS. Check for poor contact of the connectors between the airbag control module and the passenger's airbag module.</p>	Is there poor contact?	Replace the airbag harness.	Go to step 2.
<p>2 CHECK AIRBAG MAIN HARNESS (PASSENGER'S AIRBAG HARNESS). 1) Turn the ignition switch to OFF, disconnect the battery ground cable, and wait for 60 seconds or more. 2) Disconnect the connectors (AB7) and (AB2). 3) Disconnect the connector (AB66) from the driver's knee airbag module. 4) Disconnect the connectors (AB6, AB17, AB18) from airbag control module. 5) Disconnect the passenger's airbag module connector (AB9). 6) Using a probe, measure the voltage between the connector (AB9) and chassis ground. <Ref. to AB(diag)-16, HOW TO USE PROBE, PREPARATION TOOL, General Description.> CAUTION: When measuring the voltage, make sure that the probe is inserted from the back side (harness side) of the connector. Also, do not insert the probe forcibly. <i>Connector & terminal</i> <i>(AB9) No. 1 (+) — Chassis ground (-):</i> <i>(AB9) No. 2 (+) — Chassis ground (-):</i></p>	Is the voltage less than 1 V?	Go to step 3.	Replace the airbag main harness along with body harness.
<p>3 CHECK AIRBAG CONTROL MODULE. 1) Turn the ignition switch to OFF, disconnect the battery ground cable, and wait for 60 seconds or more. 2) Connect the connectors (AB6, AB17, AB18) and the airbag control module. 3) Using a probe, short the terminals No. 1 and No. 2 of connector (AB9). <Ref. to AB(diag)-16, HOW TO USE PROBE, PREPARATION TOOL, General Description.> CAUTION: When shorting the terminals, make sure that the probe is inserted from the back side (harness side) of the connector. Also, do not insert the probe forcibly. <i>Connector & terminal</i> <i>(AB9) No. 1 — (AB9) No. 2:</i> 4) Connect the battery ground terminal and turn the ignition switch to ON. 5) Perform the Inspection Mode. 6) Read the DTC. (Current malfunction)</p>	Is DTC B1808 displayed?	Replace the airbag control module. <Ref. to AB-77, REMOVAL, Airbag Control Module.>	Go to step 4.

Diagnostic Chart with Trouble Code

AIRBAG SYSTEM (DIAGNOSTICS)

Step	Check	Yes	No
4 CHECK PASSENGER'S AIRBAG MODULE. 1) Turn the ignition switch to OFF, disconnect the battery ground cable, and wait for 60 seconds or more. 2) Release the short circuit of connector (AB9). 3) Connect the passenger's airbag module connector (AB9). 4) Connect the connectors (AB7) and (AB2). 5) Connect the connector (AB66) to the driver's knee airbag module. 6) Connect the battery ground terminal and turn the ignition switch to ON. 7) Perform the Inspection Mode. 8) Read the DTC. (Current malfunction)	Is DTC B1808 displayed?	Replace the passenger's airbag module. <Ref. to AB-47, REMOVAL, Passenger's Airbag Module.>	Go to step 5.
5 CHECK FOR ANY OTHER DTC ON DISPLAY.	Is any other DTC displayed?	Check DTC using "List of Diagnostic Trouble Code (DTC)". <Ref. to AB(diag)-34, List of Diagnostic Trouble Code (DTC).>	Finish the diagnosis.

Diagnostic Chart with Trouble Code

AIRBAG SYSTEM (DIAGNOSTICS)

CJ:DTC B1810 SHORT IN DRIVER'S AIRBAG DUAL STAGE - 2ND STEP

DTC DETECTING CONDITION:

- Airbag main harness circuit is shorted.
- Airbag module harness (driver's side) circuit is shorted.
- Roll connector circuit is shorted.
- Driver's airbag module is faulty.
- Airbag control module is faulty.

CAUTION:

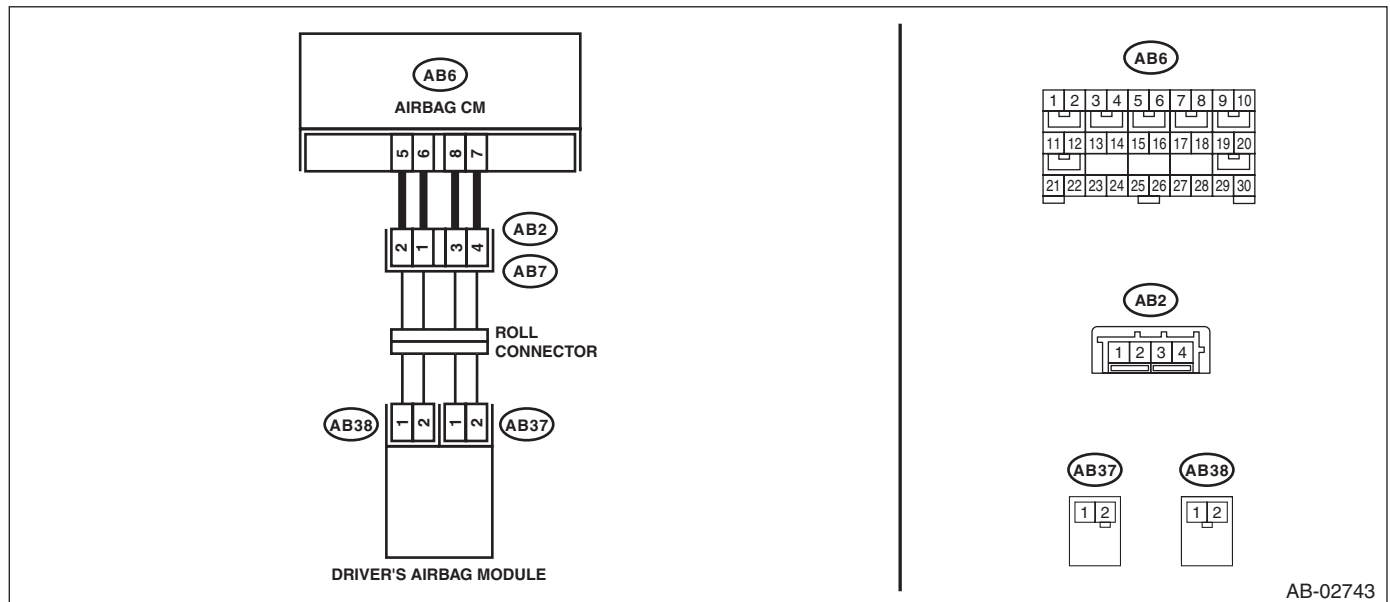
Before performing diagnosis, refer to "CAUTION" in "General Description". <Ref. to AB(diag)-4, CAUTION, General Description.>

NOTE:

Prior to starting work, prepare two AIRBAG RESISTORS (98299PA040).

WIRING DIAGRAM:

Airbag system <Ref. to WI-30, WIRING DIAGRAM, Airbag System.>



Step	Check	Yes	No
1 CHECK POOR CONTACT OF CONNECTORS. Check for poor contact of the connectors between the airbag control module and the driver's airbag module.	Is there poor contact?	Replace the airbag harness.	Go to step 2.
2 CHECK DRIVER'S AIRBAG MODULE. 1) Turn the ignition switch to OFF, disconnect the battery ground cable, and wait for 60 seconds or more. 2) Remove the driver's airbag module. 3) Connect the connector (1N) in the test harness N to the connector (AB38). 4) Connect the airbag resistor to the connector (2N) of test harness N. 5) Connect the connector (1Q) in the test harness Q to connector (AB37). 6) Connect the airbag resistor to the connector (2Q) in the test harness Q. 7) Connect the battery ground terminal and turn the ignition switch to ON.	Does the airbag warning light illuminate for six seconds and go off?	Replace the driver's airbag module. <Ref. to AB-42, Driver's Airbag Module.>	Go to step 3.

Diagnostic Chart with Trouble Code

AIRBAG SYSTEM (DIAGNOSTICS)

Step	Check	Yes	No
<p>3 CHECK ROLL CONNECTOR AND AIRBAG MAIN HARNESS (DRIVER'S AIRBAG HARNESS).</p> <p>1) Turn the ignition switch to OFF, disconnect the battery ground cable, and wait for 60 seconds or more.</p> <p>2) Remove the console front panel and disconnect the connector (AB9).</p> <p>3) Disconnect the connector (AB66) from the driver's knee airbag module.</p> <p>4) Disconnect the airbag resistor from the connector (2N) in test harness N and from the connector (2Q) in test harness Q.</p> <p>5) Disconnect the connectors (AB6, AB17, AB18) from the airbag control module, and connect the connector (1AG) in the test harness AG.</p> <p>NOTE: Except for XV models, connect test harness AH between the connectors (AB6, AB17, AB18) and (1AG).</p> <p>6) Measure the resistance between connector (2N) terminals in test harness N.</p> <p>Connector & terminal (2N) No. 1 — (2N) No. 2:</p>	Is the resistance 1 MΩ or more?	Go to step 5.	Go to step 4.
<p>4 CHECK AIRBAG MAIN HARNESS (DRIVER'S AIRBAG HARNESS).</p> <p>1) Remove the instrument panel lower cover and column cover, and disconnect the connector (AB7) from (AB2).</p> <p>2) Disconnect the test harness Q from connector (AB37).</p> <p>3) Measure the resistance between connector (3AG) terminals in test harness AG.</p> <p>Connector & terminal (3AG) No. 2 — (3AG) No. 4:</p>	Is the resistance 1 MΩ or more?	Replace the roll connector. <Ref. to AB-104, Roll Connector.>	Replace the airbag main harness along with body harness.
<p>5 CHECK AIRBAG CONTROL MODULE.</p> <p>1) Connect all connectors.</p> <p>2) Clear the memory.</p> <p>3) Perform the Inspection Mode.</p> <p>4) Read the DTC. (Current malfunction)</p>	Is the same DTC displayed?	Replace the airbag control module. <Ref. to AB-77, Airbag Control Module.>	Go to step 6.
<p>6 CHECK FOR ANY OTHER DTC ON DISPLAY.</p>	Is any other DTC displayed?	Check DTC using "List of Diagnostic Trouble Code (DTC)". <Ref. to AB(diag)-34, List of Diagnostic Trouble Code (DTC).>	Finish the diagnosis.

Diagnostic Chart with Trouble Code

AIRBAG SYSTEM (DIAGNOSTICS)

CK:DTC B1811 OPEN IN DRIVER'S AIRBAG DUAL STAGE - 2ND STEP

DTC DETECTING CONDITION:

- Airbag main harness circuit is open.
- Airbag module harness (driver's side) circuit is open.
- Roll connector circuit is open.
- Driver's airbag module is faulty.
- Airbag control module is faulty.

CAUTION:

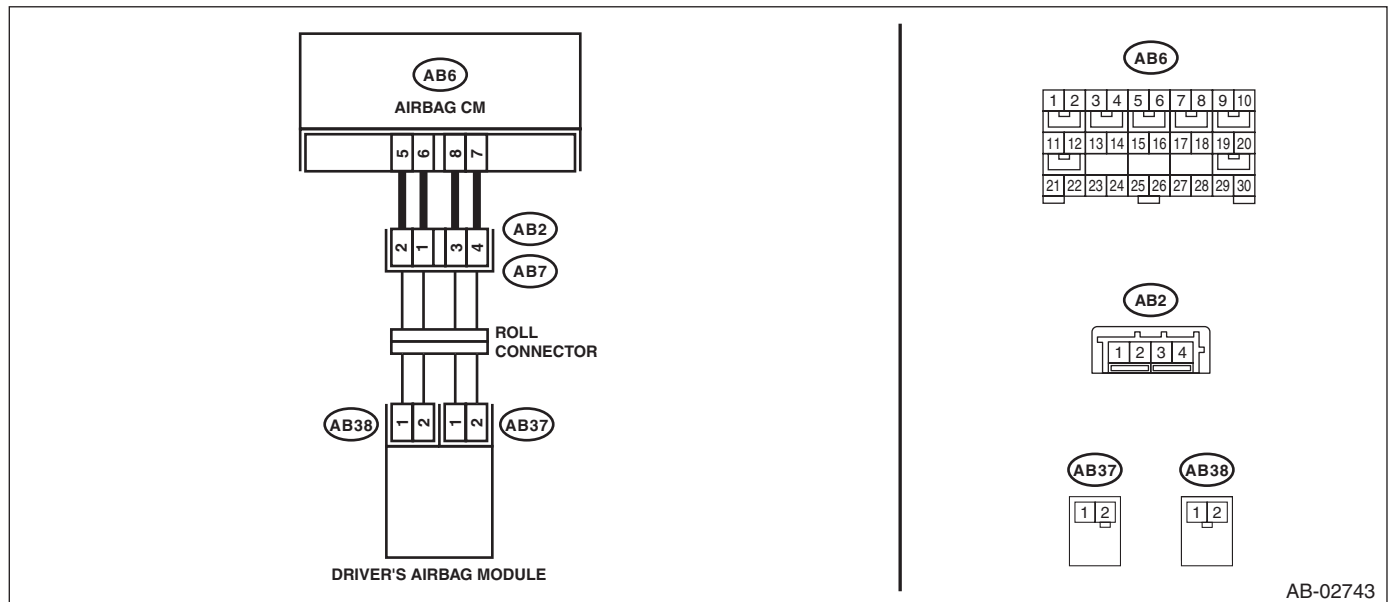
Before performing diagnosis, refer to "CAUTION" in "General Description". <Ref. to AB(diag)-4, CAUTION, General Description.>

NOTE:

Prior to starting work, prepare two AIRBAG RESISTORS (98299PA040).

WIRING DIAGRAM:

Airbag system <Ref. to WI-30, WIRING DIAGRAM, Airbag System.>



Step	Check	Yes	No
1 CHECK POOR CONTACT OF CONNECTORS. Check for poor contact of the connectors between the airbag control module and the driver's airbag module.	Is there poor contact?	Replace the airbag harness.	Go to step 2.
2 CHECK DRIVER'S AIRBAG MODULE. 1) Turn the ignition switch to OFF, disconnect the battery ground cable, and wait for 60 seconds or more. 2) Remove the driver's airbag module. 3) Connect the connector (1N) in the test harness N to the connector (AB38). 4) Connect the airbag resistor to the connector (2N) of test harness N. 5) Connect the connector (1Q) in the test harness Q to connector (AB37). 6) Connect the airbag resistor to the connector (2Q) in the test harness Q. 7) Connect the battery ground terminal and turn the ignition switch to ON.	Does the airbag warning light illuminate for six seconds and go off?	Replace the driver's airbag module. <Ref. to AB-42, Driver's Airbag Module.>	Go to step 3.

Diagnostic Chart with Trouble Code

AIRBAG SYSTEM (DIAGNOSTICS)

Step	Check	Yes	No
3 CHECK ROLL CONNECTOR AND AIRBAG MAIN HARNESS (DRIVER'S AIRBAG HARNESS). 1) Turn the ignition switch to OFF, disconnect the battery ground cable, and wait for 60 seconds or more. 2) Remove the console front panel and disconnect the connector (AB9). 3) Disconnect the connector (AB66) from the driver's knee airbag module. 4) Disconnect the airbag resistor from the connector (2N) in test harness N. 5) Disconnect the airbag resistor from the connector (2Q) of test harness Q. 6) Disconnect the connectors (AB6, AB17, AB18) from airbag control module. 7) Measure the resistance between connector (2N) terminals in test harness N. Connector & terminal (2N) No. 1 — (2N) No. 2:	Is the resistance less than 10 Ω ?	Go to step 5.	Go to step 4.
4 CHECK ROLL CONNECTOR. 1) Remove the instrument panel lower cover and column cover, and disconnect the connector (AB7) from (AB2). 2) Measure the resistance between connector (2N) terminals in test harness N. Connector & terminal (2N) No. 1 — (2N) No. 2:	Is the resistance less than 10 Ω ?	Replace the airbag main harness along with body harness.	Replace the roll connector. <Ref. to AB-104, Roll Connector.>
5 CHECK AIRBAG CONTROL MODULE. 1) Connect all connectors. 2) Clear the memory. 3) Perform the Inspection Mode. 4) Read the DTC. (Current malfunction)	Is the same DTC displayed?	Replace the airbag control module. <Ref. to AB-77, Airbag Control Module.>	Go to step 6.
6 CHECK FOR ANY OTHER DTC ON DISPLAY.	Is any other DTC displayed?	Check DTC using "List of Diagnostic Trouble Code (DTC)". <Ref. to AB(diag)-34, List of Diagnostic Trouble Code (DTC).>	Finish the diagnosis.

Diagnostic Chart with Trouble Code

AIRBAG SYSTEM (DIAGNOSTICS)

CL:DTC B1812 SHORT IN DRIVER'S AIRBAG DUAL STAGE - 2ND STEP (TO GROUND)

DTC DETECTING CONDITION:

- Airbag main harness circuit is shorted to ground.
- Airbag module harness (driver's side) circuit is shorted to ground.
- Roll connector circuit is shorted to ground.
- Driver's airbag module is faulty.
- Airbag control module is faulty.

CAUTION:

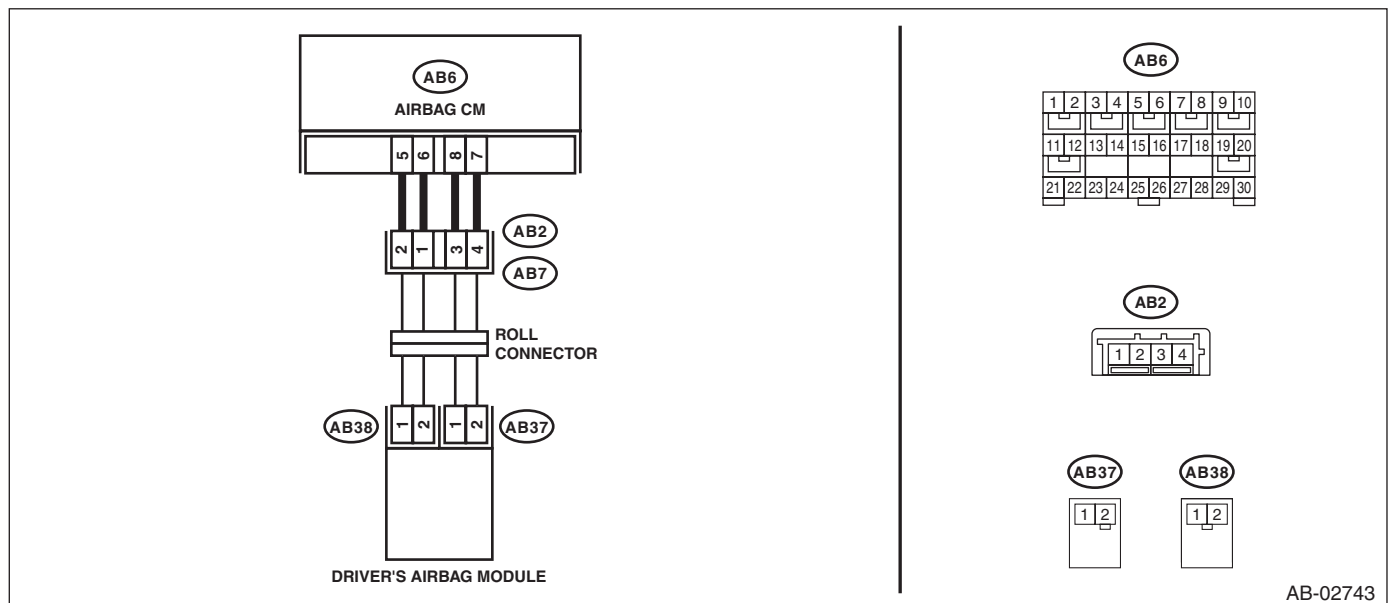
Before performing diagnosis, refer to "CAUTION" in "General Description". <Ref. to AB(diag)-4, CAUTION, General Description.>

NOTE:

Prior to starting work, prepare two AIRBAG RESISTORS (98299PA040).

WIRING DIAGRAM:

Airbag system <Ref. to WI-30, WIRING DIAGRAM, Airbag System.>



Step	Check	Yes	No
1 CHECK POOR CONTACT OF CONNECTORS. Check for poor contact of the connectors between the airbag control module and the driver's airbag module.	Is there poor contact?	Replace the airbag harness.	Go to step 2.
2 CHECK DRIVER'S AIRBAG MODULE. 1) Turn the ignition switch to OFF, disconnect the battery ground cable, and wait for 60 seconds or more. 2) Remove the driver's airbag module. 3) Connect the connector (1N) in the test harness N to the connector (AB38). 4) Connect the airbag resistor to the connector (2N) of test harness N. 5) Connect the connector (1Q) in the test harness Q to connector (AB37). 6) Connect the airbag resistor to the connector (2Q) in the test harness Q. 7) Connect the battery ground terminal and turn the ignition switch to ON.	Does the airbag warning light illuminate for six seconds and go off?	Replace the driver's airbag module. <Ref. to AB-42, Driver's Airbag Module.>	Go to step 3.

Diagnostic Chart with Trouble Code

AIRBAG SYSTEM (DIAGNOSTICS)

Step	Check	Yes	No
3 CHECK ROLL CONNECTOR. 1) Turn the ignition switch to OFF, disconnect the battery ground cable, and wait for 60 seconds or more. 2) Remove the instrument panel lower cover and column cover, and disconnect the connector (AB7) from (AB2). 3) Disconnect the connector (AB66) from the driver's knee airbag module. 4) Disconnect the airbag resistor from the connector (2N) in test harness N and from the connector (2Q) in test harness Q. 5) Measure the resistance between connector (2N) in the test harness N and chassis ground. Connector & terminal (2N) No. 1 — Chassis ground: (2N) No. 2 — Chassis ground:	Is the resistance 1 MΩ or more?	Go to step 4.	Replace the roll connector. <Ref. to AB-104, Roll Connector.>
4 CHECK AIRBAG MAIN HARNESS (DRIVER'S AIRBAG HARNESS). 1) Disconnect the test harness N from connector (AB38). 2) Disconnect the test harness Q from connector (AB37). 3) Remove the console front panel and disconnect the connector (AB9). 4) Disconnect the connectors (AB6, AB17, AB18) from the airbag control module, and connect the connector (1AG) in the test harness AG. NOTE: Except for XV models, connect test harness AH between the connectors (AB6, AB17, AB18) and (1AG). 5) Measure the resistance between connector (3AG) in the test harness AG and chassis ground. Connector & terminal (3AG) No. 2 — Chassis ground: (3AG) No. 4 — Chassis ground:	Is the resistance 1 MΩ or more?	Go to step 5.	Replace the airbag main harness along with body harness.
5 CHECK AIRBAG CONTROL MODULE. 1) Connect all connectors. 2) Clear the memory. 3) Perform the Inspection Mode. 4) Read the DTC. (Current malfunction)	Is the same DTC displayed?	Replace the airbag control module. <Ref. to AB-77, Airbag Control Module.>	Go to step 6.
6 CHECK FOR ANY OTHER DTC ON DISPLAY.	Is any other DTC displayed?	Check DTC using "List of Diagnostic Trouble Code (DTC)". <Ref. to AB(diag)-34, List of Diagnostic Trouble Code (DTC).>	Finish the diagnosis.

Diagnostic Chart with Trouble Code

AIRBAG SYSTEM (DIAGNOSTICS)

CM:DTC B1813 SHORT IN DRIVER'S AIRBAG DUAL STAGE - 2ND STEP CIRCUIT (TO +B)

DTC DETECTING CONDITION:

- Airbag main harness circuit is shorted to power supply.
- Airbag module harness (driver's side) circuit is shorted to power supply.
- Roll connector is shorted to power supply.
- Driver's airbag module is faulty.
- Airbag control module is faulty.

CAUTION:

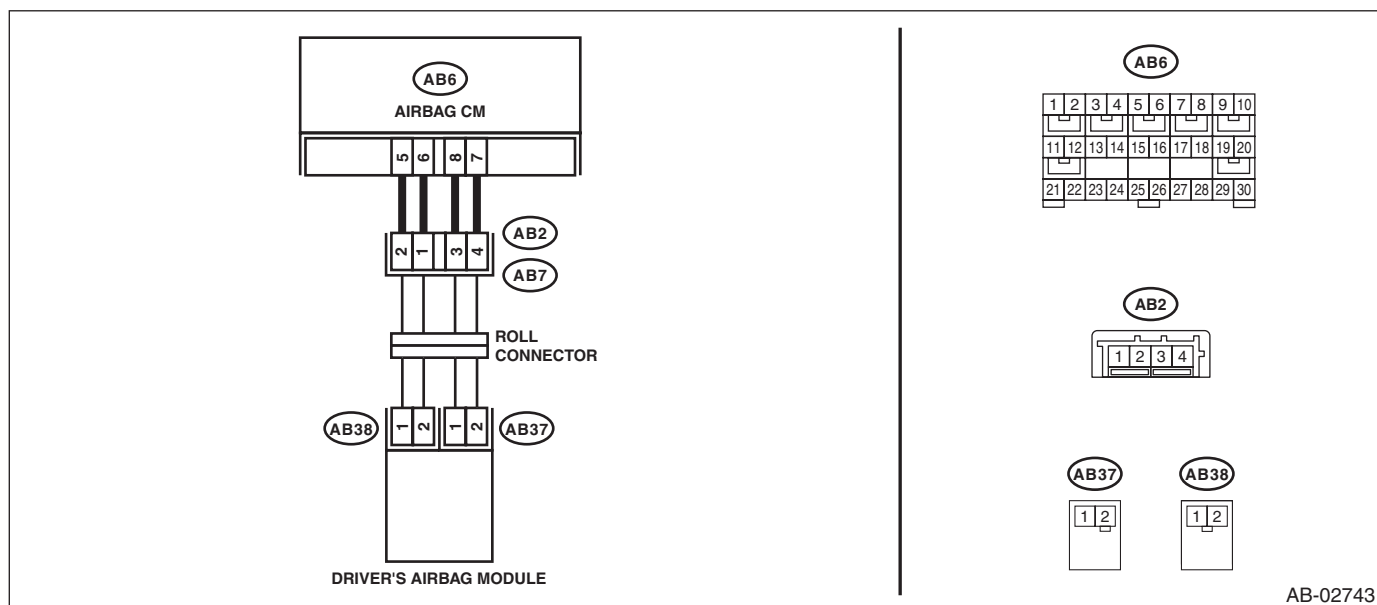
Before performing diagnosis, refer to "CAUTION" in "General Description". <Ref. to AB(diag)-4, CAUTION, General Description.>

NOTE:

Prior to starting work, prepare two AIRBAG RESISTORS (98299PA040).

WIRING DIAGRAM:

Airbag system <Ref. to WI-30, WIRING DIAGRAM, Airbag System.>



Step	Check	Yes	No
1 CHECK POOR CONTACT OF CONNECTORS. Check for poor contact of the connectors between the airbag control module and the driver's airbag module.	Is there poor contact?	Replace the airbag harness.	Go to step 2.
2 CHECK DRIVER'S AIRBAG MODULE. 1) Turn the ignition switch to OFF, disconnect the battery ground cable, and wait for 60 seconds or more. 2) Remove the driver's airbag module. 3) Connect the connector (1N) in the test harness N to the connector (AB38). 4) Connect the airbag resistor to the connector (2N) of test harness N. 5) Connect the connector (1Q) in the test harness Q to connector (AB37). 6) Connect the airbag resistor to the connector (2Q) in the test harness Q. 7) Connect the battery ground terminal and turn the ignition switch to ON.	Does the airbag warning light illuminate for six seconds and go off?	Replace the driver's airbag module. <Ref. to AB-42, Driver's Airbag Module.>	Go to step 3.

Diagnostic Chart with Trouble Code

AIRBAG SYSTEM (DIAGNOSTICS)

Step	Check	Yes	No
3 CHECK ROLL CONNECTOR. 1) Turn the ignition switch to OFF, disconnect the battery ground cable, and wait for 60 seconds or more. 2) Remove the instrument panel lower cover and column cover, and disconnect the connector (AB7) from (AB2). 3) Disconnect the connector (AB66) from the driver's knee airbag module. 4) Disconnect the airbag resistor from the connector (2N) in test harness N and from the connector (2Q) in test harness Q. 5) Measure the voltage between connector (2N) in the test harness N and chassis ground. Connector & terminal (2N) No. 1 (+) — Chassis ground (-): (2N) No. 2 (+) — Chassis ground (-):	Is the voltage less than 1 V?	Go to step 4.	Replace the roll connector. <Ref. to AB-104, Roll Connector.>
4 CHECK AIRBAG MAIN HARNESS (DRIVER'S AIRBAG HARNESS). 1) Disconnect the test harness N from connector (AB38). 2) Disconnect the test harness Q from connector (AB37). 3) Remove the console front panel and disconnect the connector (AB9). 4) Disconnect the connectors (AB6, AB17, AB18) from the airbag control module, and connect the connector (1AG) in the test harness AG. NOTE: Except for XV models, connect test harness AH between the connectors (AB6, AB17, AB18) and (1AG). 5) Measure the voltage between connector (3AG) in the test harness AG and chassis ground. Connector & terminal (3AG) No. 2 (+) — Chassis ground (-): (3AG) No. 4 (+) — Chassis ground (-):	Is the voltage less than 1 V?	Go to step 5.	Replace the airbag main harness along with body harness.
5 CHECK AIRBAG CONTROL MODULE. 1) Connect all connectors. 2) Clear the memory. 3) Perform the Inspection Mode. 4) Read the DTC. (Current malfunction)	Is the same DTC displayed?	Replace the airbag control module. <Ref. to AB-77, Airbag Control Module.>	Go to step 6.
6 CHECK FOR ANY OTHER DTC ON DISPLAY.	Is any other DTC displayed?	Check DTC using "List of Diagnostic Trouble Code (DTC)". <Ref. to AB(diag)-34, List of Diagnostic Trouble Code (DTC).>	Finish the diagnosis.

Diagnostic Chart with Trouble Code

AIRBAG SYSTEM (DIAGNOSTICS)

CN:DTC B1815 OPEN IN PASSENGER'S AIRBAG DUAL STAGE - 2ND STEP

DTC DETECTING CONDITION:

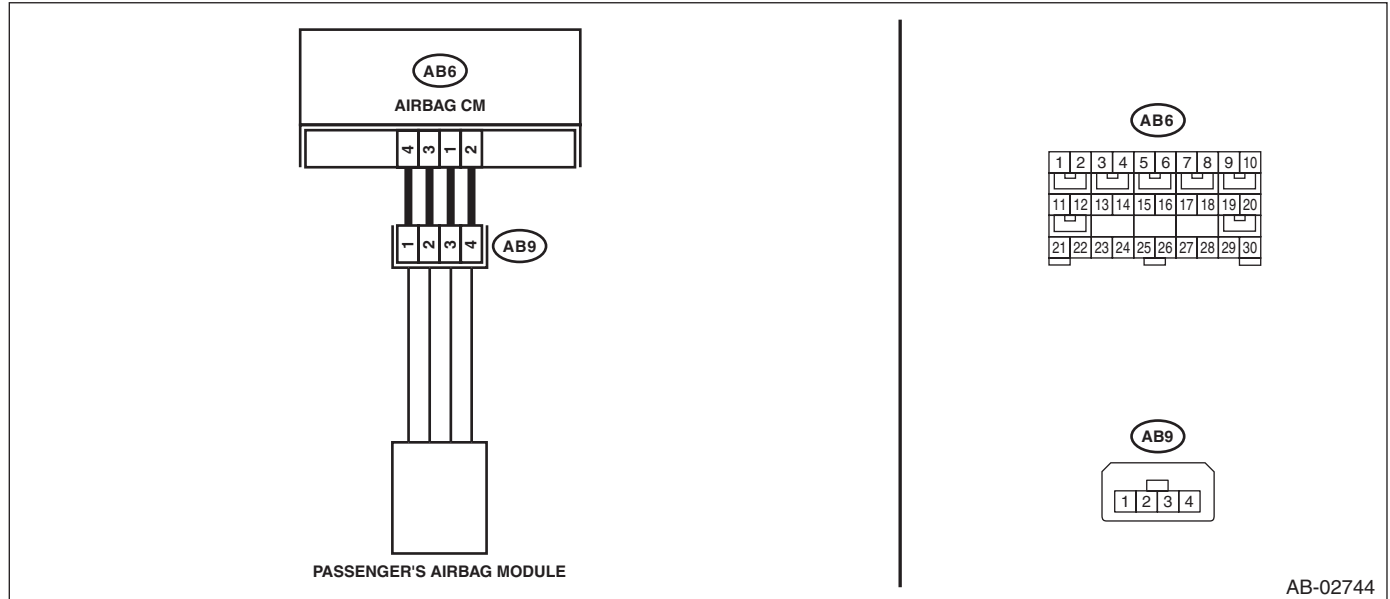
- Airbag main harness circuit is shorted.
- Airbag module harness circuit (passenger's side) is shorted.
- Passenger's airbag module is faulty.
- Airbag control module is faulty.

CAUTION:

Before performing diagnosis, refer to "CAUTION" in "General Description". <Ref. to AB(diag)-4, CAUTION, General Description.>

WIRING DIAGRAM:

Airbag system <Ref. to WI-30, WIRING DIAGRAM, Airbag System.>



AB-02744

Step	Check	Yes	No	
1	<p>CHECK POOR CONTACT OF CONNECTORS. Check for poor contact of the connectors between the airbag control module and the passenger's airbag module.</p>	Is there poor contact?	Replace the airbag harness.	Go to step 2.

Diagnostic Chart with Trouble Code

AIRBAG SYSTEM (DIAGNOSTICS)

Step	Check	Yes	No
<p>2 CHECK AIRBAG MAIN HARNESS (PASSENGER'S AIRBAG HARNESS).</p> <p>1) Turn the ignition switch to OFF, disconnect the battery ground cable, and wait for 60 seconds or more.</p> <p>2) Disconnect the connectors (AB7) and (AB2).</p> <p>3) Disconnect the connector (AB66) from the driver's knee airbag module.</p> <p>4) Disconnect the connectors (AB6, AB17, AB18) from the airbag control module, connect the connector (1AG) in the test harness AG, and release the short mechanism of the connectors (AB6, AB17, AB18).</p> <p>NOTE: Except for XV models, connect the connectors (AB6, AB17, AB18) and the connector (1AH) in the test harness AH.</p> <p>5) Disconnect the passenger's airbag module connector (AB9).</p> <p>6) Using a probe, measure the resistance between the terminals of connector (AB9). <Ref. to AB(diag)-16, HOW TO USE PROBE, PREPARATION TOOL, General Description.></p> <p>CAUTION: When measuring the resistance, make sure that the probe is inserted from the back side (harness side) of the connector. Also, do not insert the probe forcibly.</p> <p>Connector & terminal (AB9) No. 3 — (AB9) No. 4:</p>	Is the resistance 1 MΩ or more?	Go to step 3.	Replace the airbag main harness along with body harness.
<p>3 CHECK AIRBAG CONTROL MODULE.</p> <p>1) Disconnect the test harness AG and test harness AH from the connectors (AB6, AB17, AB18).</p> <p>2) Connect the connectors (AB6, AB17, AB18) and the airbag control module.</p> <p>3) Connect the connectors (AB7) and (AB2).</p> <p>4) Connect the connector (AB66) to the driver's knee airbag module.</p> <p>5) Connect the battery ground terminal and turn the ignition switch to ON.</p> <p>6) Perform the Inspection Mode.</p> <p>7) Read the DTC. (Current malfunction)</p>	Is DTC B1815 displayed?	Replace the airbag control module. <Ref. to AB-77, REMOVAL, Airbag Control Module.>	Go to step 4.
<p>4 CHECK PASSENGER'S AIRBAG MODULE.</p> <p>1) Turn the ignition switch to OFF, disconnect the battery ground cable, and wait for 60 seconds or more.</p> <p>2) Connect the passenger's airbag module connector (AB9).</p> <p>3) Connect the battery ground terminal and turn the ignition switch to ON.</p> <p>4) Perform the Inspection Mode.</p> <p>5) Read the DTC. (Current malfunction)</p>	Is DTC B1815 displayed?	Replace the passenger's airbag module. <Ref. to AB-47, REMOVAL, Passenger's Airbag Module.>	Go to step 5.
<p>5 CHECK FOR ANY OTHER DTC ON DISPLAY.</p>	Is any other DTC displayed?	Check DTC using "List of Diagnostic Trouble Code (DTC)". <Ref. to AB(diag)-34, List of Diagnostic Trouble Code (DTC).>	Finish the diagnosis.

Diagnostic Chart with Trouble Code

AIRBAG SYSTEM (DIAGNOSTICS)

CO:DTC B1816 OPEN IN PASSENGER'S AIRBAG DUAL STAGE - 2ND STEP

DTC DETECTING CONDITION:

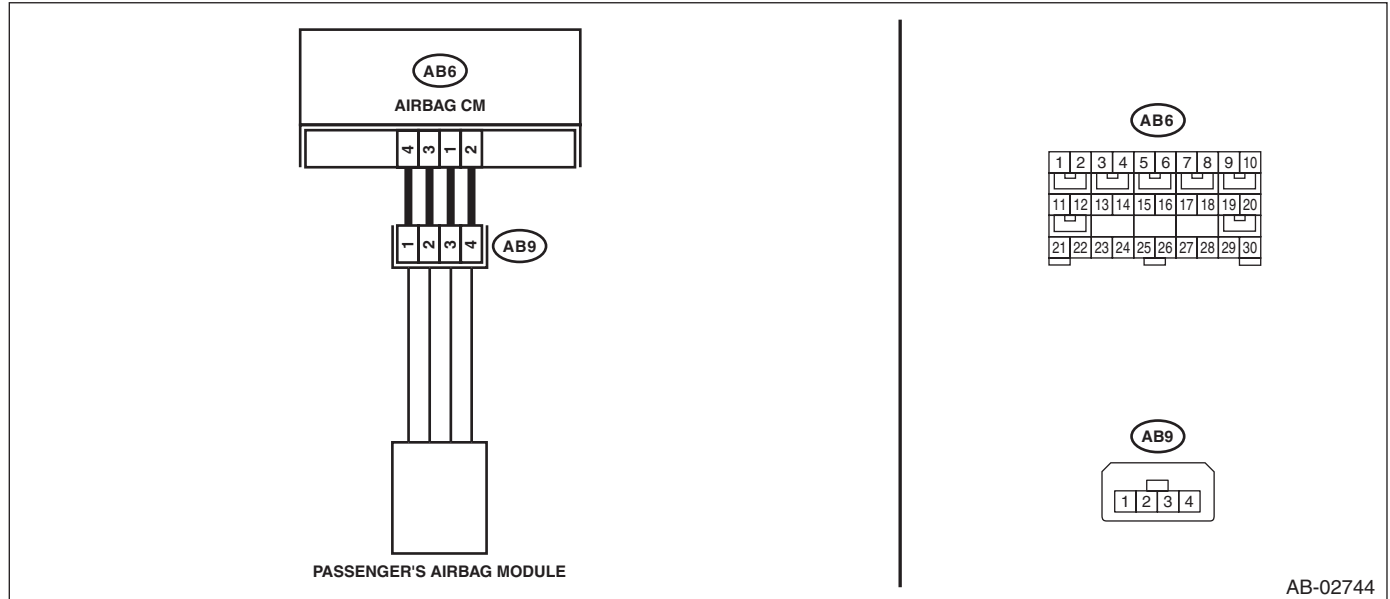
- Airbag main harness circuit is open.
- Airbag module harness (passenger's side) circuit is open.
- Passenger's airbag module is faulty.
- Airbag control module is faulty.

CAUTION:

Before performing diagnosis, refer to "CAUTION" in "General Description". <Ref. to AB(diag)-4, CAUTION, General Description.>

WIRING DIAGRAM:

Airbag system <Ref. to WI-30, WIRING DIAGRAM, Airbag System.>



Diagnostic Chart with Trouble Code

AIRBAG SYSTEM (DIAGNOSTICS)

Step	Check	Yes	No
1 CHECK POOR CONTACT OF CONNECTORS. Check for poor contact of the connectors between the airbag control module and the passenger's airbag module.	Is there poor contact?	Replace the airbag harness.	Go to step 2.
2 CHECK AIRBAG MAIN HARNESS (PASSENGER'S AIRBAG HARNESS). 1) Turn the ignition switch to OFF, disconnect the battery ground cable, and wait for 60 seconds or more. 2) Disconnect the connectors (AB7) and (AB2). 3) Disconnect the connector (AB66) from the driver's knee airbag module. 4) Disconnect the connectors (AB6, AB17, AB18) from airbag control module. 5) Disconnect the passenger's airbag module connector (AB9). 6) Using a probe, measure the resistance between the terminals of connector (AB9). <Ref. to AB(diag)-16, HOW TO USE PROBE, PREPARATION TOOL, General Description.> CAUTION: When measuring the resistance, make sure that the probe is inserted from the back side (harness side) of the connector. Also, do not insert the probe forcibly. <i>Connector & terminal</i> <i>(AB9) No. 3 — (AB9) No. 4:</i>	Is the resistance less than 10 Ω ?	Go to step 3.	Replace the airbag main harness along with body harness.
3 CHECK AIRBAG CONTROL MODULE. 1) Connect the connectors (AB6, AB17, AB18) and the airbag control module. 2) Connect the connectors (AB7) and (AB2). 3) Connect the connector (AB66) to the driver's knee airbag module. 4) Using a probe, short the terminals No. 3 and No. 4 of connector (AB9). <Ref. to AB(diag)-16, HOW TO USE PROBE, PREPARATION TOOL, General Description.> CAUTION: When shorting the terminals, make sure that the probe is inserted from the back side (harness side) of the connector. Also, do not insert the probe forcibly. <i>Connector & terminal</i> <i>(AB9) No. 3 — (AB9) No. 4:</i> 5) Connect the battery ground terminal and turn the ignition switch to ON. 6) Perform the Inspection Mode. 7) Read the DTC. (Current malfunction)	Is DTC B1816 displayed?	Replace the airbag control module. <Ref. to AB-77, REMOVAL, Airbag Control Module.>	Go to step 4.
4 CHECK PASSENGER'S AIRBAG MODULE. 1) Turn the ignition switch to OFF, disconnect the battery ground cable, and wait for 60 seconds or more. 2) Connect the passenger's airbag module connector (AB9). 3) Connect the battery ground terminal and turn the ignition switch to ON. 4) Perform the Inspection Mode. 5) Read the DTC. (Current malfunction)	Is DTC B1816 displayed?	Replace the passenger's airbag module. <Ref. to AB-47, REMOVAL, Passenger's Airbag Module.>	Go to step 5.

Diagnostic Chart with Trouble Code

AIRBAG SYSTEM (DIAGNOSTICS)

Step	Check	Yes	No
5 CHECK FOR ANY OTHER DTC ON DISPLAY.	Is any other DTC displayed?	Check DTC using "List of Diagnostic Trouble Code (DTC)". <Ref. to AB(diag)-34, List of Diagnostic Trouble Code (DTC).>	Finish the diagnosis.

Diagnostic Chart with Trouble Code

AIRBAG SYSTEM (DIAGNOSTICS)

CP:DTC B1817 SHORT IN PASSENGER'S AIRBAG DUAL STAGE - 2ND STEP (TO GROUND)

DTC DETECTING CONDITION:

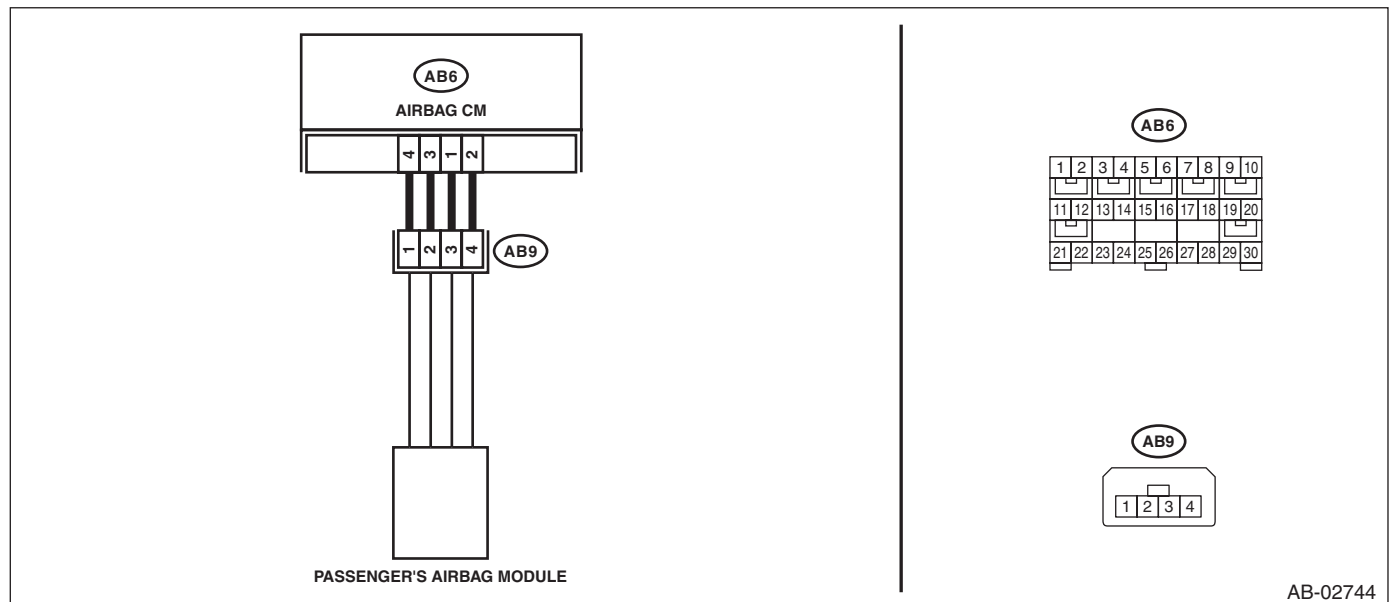
- Airbag main harness circuit is shorted to ground.
- Airbag module harness (passenger's side) circuit is shorted to ground.
- Passenger's airbag module is faulty.
- Airbag control module is faulty.

CAUTION:

Before performing diagnosis, refer to "CAUTION" in "General Description". <Ref. to AB(diag)-4, CAUTION, General Description.>

WIRING DIAGRAM:

Airbag system <Ref. to WI-30, WIRING DIAGRAM, Airbag System.>



Diagnostic Chart with Trouble Code

AIRBAG SYSTEM (DIAGNOSTICS)

Step	Check	Yes	No
<p>1 CHECK POOR CONTACT OF CONNECTORS. Check for poor contact of the connectors between the airbag control module and the passenger's airbag module.</p>	Is there poor contact?	Replace the airbag harness.	Go to step 2.
<p>2 CHECK AIRBAG MAIN HARNESS (PASSENGER'S AIRBAG HARNESS). 1) Turn the ignition switch to OFF, disconnect the battery ground cable, and wait for 60 seconds or more. 2) Disconnect the connectors (AB7) and (AB2). 3) Disconnect the connector (AB66) from the driver's knee airbag module. 4) Disconnect the connectors (AB6, AB17, AB18) from airbag control module. 5) Disconnect the passenger's airbag module connector (AB9). 6) Using a probe, measure the resistance between the connector (AB9) and chassis ground. <Ref. to AB(diag)-16, HOW TO USE PROBE, PREPARATION TOOL, General Description.> CAUTION: When measuring the resistance, make sure that the probe is inserted from the back side (harness side) of the connector. Also, do not insert the probe forcibly. <i>Connector & terminal</i> <i>(AB9) No. 3 — Chassis ground:</i> <i>(AB9) No. 4 — Chassis ground:</i></p>	Is the resistance 1 MΩ or more?	Go to step 3.	Replace the airbag main harness along with body harness.
<p>3 CHECK AIRBAG CONTROL MODULE. 1) Connect the connectors (AB6, AB17, AB18) and the airbag control module. 2) Using a probe, short the terminals No. 3 and No. 4 of connector (AB9). <Ref. to AB(diag)-16, HOW TO USE PROBE, PREPARATION TOOL, General Description.> CAUTION: When shorting the terminals, make sure that the probe is inserted from the back side (harness side) of the connector. Also, do not insert the probe forcibly. <i>Connector & terminal</i> <i>(AB9) No. 3 — (AB9) No. 4:</i> 3) Connect the battery ground terminal and turn the ignition switch to ON. 4) Perform the Inspection Mode. 5) Read the DTC. (Current malfunction)</p>	Is DTC B1817 displayed?	Replace the airbag control module. <Ref. to AB-77, REMOVAL, Airbag Control Module.>	Go to step 4.

Diagnostic Chart with Trouble Code

AIRBAG SYSTEM (DIAGNOSTICS)

Step	Check	Yes	No
4 CHECK PASSENGER'S AIRBAG MODULE. 1) Turn the ignition switch to OFF, disconnect the battery ground cable, and wait for 60 seconds or more. 2) Release the short circuit of connector (AB9). 3) Connect the passenger's airbag module connector (AB9). 4) Connect the connectors (AB7) and (AB2). 5) Connect the connector (AB66) to the driver's knee airbag module. 6) Connect the battery ground terminal and turn the ignition switch to ON. 7) Perform the Inspection Mode. 8) Read the DTC. (Current malfunction)	Is DTC B1817 displayed?	Replace the passenger's airbag module. <Ref. to AB-47, REMOVAL, Passenger's Airbag Module.>	Go to step 5.
5 CHECK FOR ANY OTHER DTC ON DISPLAY.	Is any other DTC displayed?	Check DTC using "List of Diagnostic Trouble Code (DTC)". <Ref. to AB(diag)-34, List of Diagnostic Trouble Code (DTC).>	Finish the diagnosis.

Diagnostic Chart with Trouble Code

AIRBAG SYSTEM (DIAGNOSTICS)

CQ:DTC B1818 SHORT IN PASSENGER'S AIRBAG DUAL STAGE - 2ND STEP CIRCUIT (TO +B)

DTC DETECTING CONDITION:

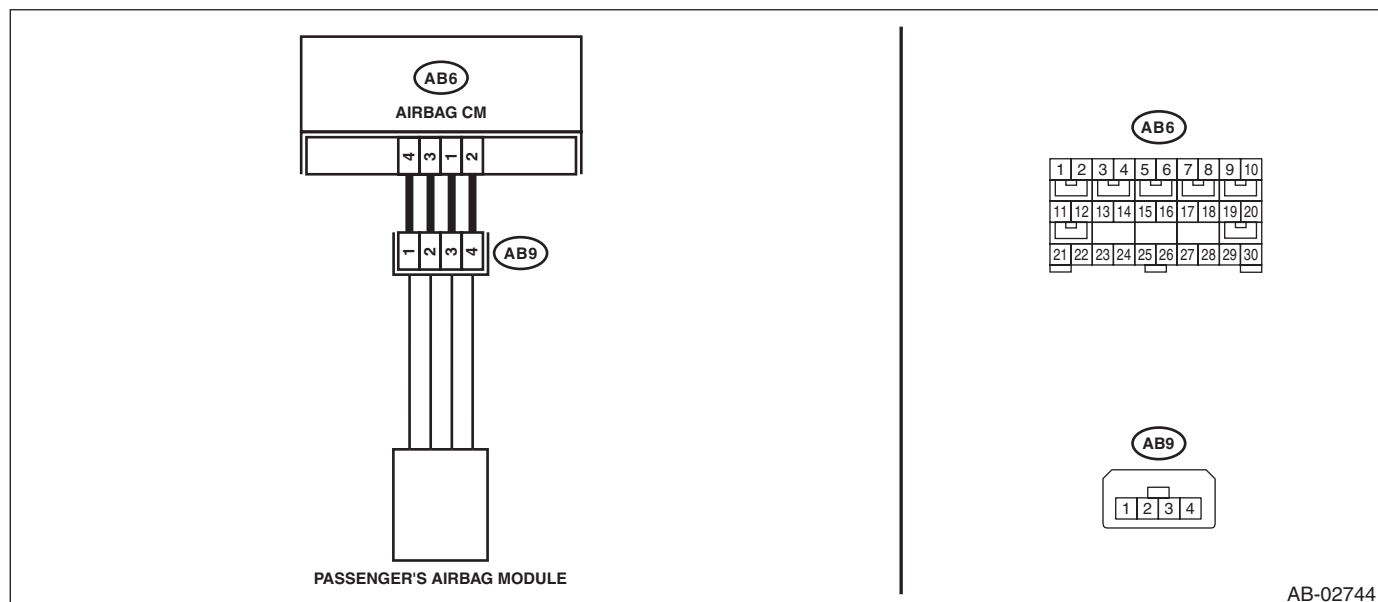
- Airbag main harness circuit is shorted to power supply.
- Airbag module harness (passenger's side) circuit is shorted to power supply.
- Passenger's airbag module is faulty.
- Airbag control module is faulty.

CAUTION:

Before performing diagnosis, refer to "CAUTION" in "General Description". <Ref. to AB(diag)-4, CAUTION, General Description.>

WIRING DIAGRAM:

Airbag system <Ref. to WI-30, WIRING DIAGRAM, Airbag System.>



Diagnostic Chart with Trouble Code

AIRBAG SYSTEM (DIAGNOSTICS)

Step	Check	Yes	No
1 CHECK POOR CONTACT OF CONNECTORS. Check for poor contact of the connectors between the airbag control module and the passenger's airbag module.	Is there poor contact?	Replace the airbag harness.	Go to step 2.
2 CHECK AIRBAG MAIN HARNESS (PASSENGER'S AIRBAG HARNESS). 1) Turn the ignition switch to OFF, disconnect the battery ground cable, and wait for 60 seconds or more. 2) Disconnect the connectors (AB7) and (AB2). 3) Disconnect the connector (AB66) from the driver's knee airbag module. 4) Disconnect the connectors (AB6, AB17, AB18) from airbag control module. 5) Disconnect the passenger's airbag module connector (AB9). 6) Using a probe, measure the voltage between the connector (AB9) and chassis ground. <Ref. to AB(diag)-16, HOW TO USE PROBE, PREPARATION TOOL, General Description.> CAUTION: When measuring the voltage, make sure that the probe is inserted from the back side (harness side) of the connector. Also, do not insert the probe forcibly. <i>Connector & terminal</i> (AB9) No. 3 (+) — Chassis ground (-): (AB9) No. 4 (+) — Chassis ground (-):	Is the voltage less than 1 V?	Go to step 3.	Replace the airbag main harness along with body harness.
3 CHECK AIRBAG CONTROL MODULE. 1) Turn the ignition switch to OFF, disconnect the battery ground cable, and wait for 60 seconds or more. 2) Connect the connectors (AB6, AB17, AB18) and the airbag control module. 3) Using a probe, short the terminals No. 3 and No. 4 of connector (AB9). <Ref. to AB(diag)-16, HOW TO USE PROBE, PREPARATION TOOL, General Description.> CAUTION: When shorting the terminals, make sure that the probe is inserted from the back side (harness side) of the connector. Also, do not insert the probe forcibly. <i>Connector & terminal</i> (AB9) No. 3 — (AB9) No. 4: 4) Connect the battery ground terminal and turn the ignition switch to ON. 5) Perform the Inspection Mode. 6) Read the DTC. (Current malfunction)	Is DTC B1818 displayed?	Replace the airbag control module. <Ref. to AB-77, REMOVAL, Airbag Control Module.>	Go to step 4.

Diagnostic Chart with Trouble Code

AIRBAG SYSTEM (DIAGNOSTICS)

Step	Check	Yes	No
4 CHECK PASSENGER'S AIRBAG MODULE. 1) Turn the ignition switch to OFF, disconnect the battery ground cable, and wait for 60 seconds or more. 2) Release the short circuit of connector (AB9). 3) Connect the passenger's airbag module connector (AB9). 4) Connect the connectors (AB7) and (AB2). 5) Connect the connector (AB66) to the driver's knee airbag module. 6) Connect the battery ground terminal and turn the ignition switch to ON. 7) Perform the Inspection Mode. 8) Read the DTC. (Current malfunction)	Is DTC B1818 displayed?	Replace the passenger's airbag module. <Ref. to AB-47, REMOVAL, Passenger's Airbag Module.>	Go to step 5.
5 CHECK FOR ANY OTHER DTC ON DISPLAY.	Is any other DTC displayed?	Check DTC using "List of Diagnostic Trouble Code (DTC)". <Ref. to AB(diag)-34, List of Diagnostic Trouble Code (DTC).>	Finish the diagnosis.

Diagnostic Chart with Trouble Code

AIRBAG SYSTEM (DIAGNOSTICS)

CR:DTC B1820 SHORT IN SIDE AIRBAG RH

DTC DETECTING CONDITION:

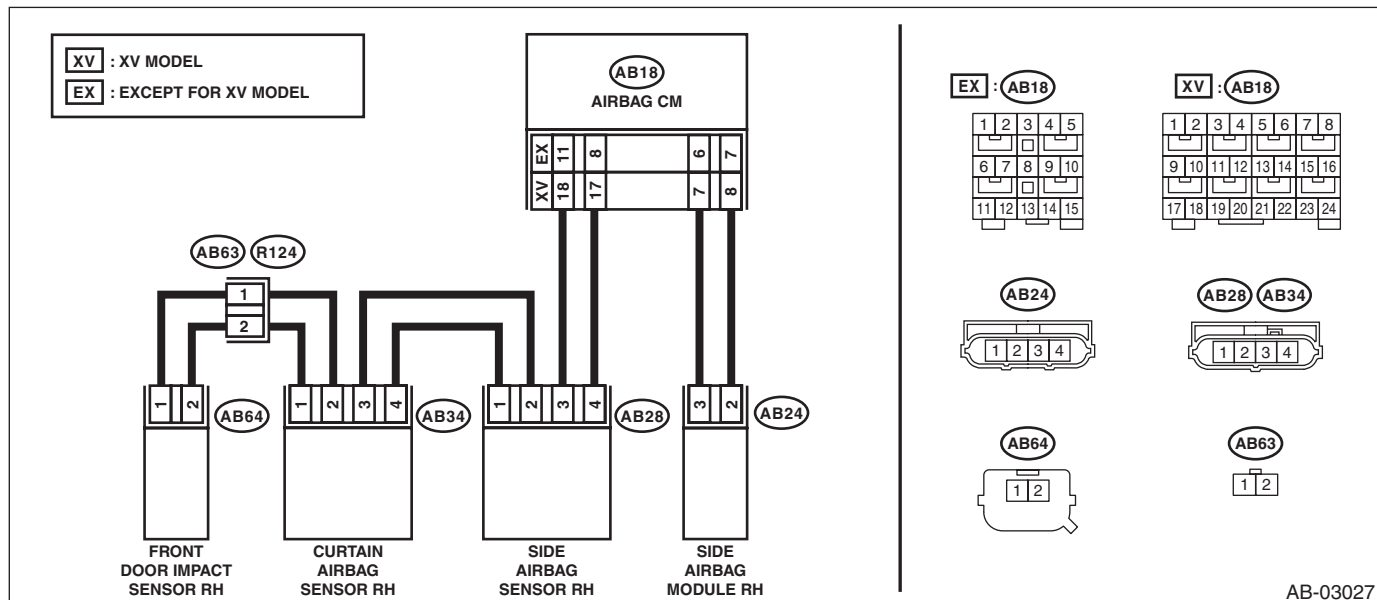
- Side airbag harness (RH) circuit is shorted.
- Side airbag module (RH) is faulty.
- Airbag control module is faulty.

CAUTION:

Before performing diagnosis, refer to “CAUTION” in “General Description”. <Ref. to AB(diag)-4, CAUTION, General Description.>

WIRING DIAGRAM:

Airbag system <Ref. to WI-30, WIRING DIAGRAM, Airbag System.>



Step	Check	Yes	No
1 CHECK POOR CONTACT OF CONNECTORS. Check for poor contact of the connectors between the airbag control module, side airbag module RH and the side airbag sensor RH.	Is there poor contact?	Replace the airbag rear harness along with body harness.	Go to step 2.
2 CHECK SIDE AIRBAG MODULE. 1) Turn the ignition switch to OFF, disconnect the battery ground cable, and wait for 60 seconds or more. 2) Disconnect the connector (AB24) from the side airbag module (RH), and connect the connector (1AJ) in the test harness AJ to connector (AB24). 3) Connect the airbag resistor to the test harness AJ connector (3AJ). 4) Connect the battery ground terminal and turn the ignition switch to ON.	Does the airbag warning light illuminate for 6 seconds and go off?	Replace the side airbag module (RH). <Ref. to AB-66, REMOVAL, Side Airbag Module.>	Go to step 3.

Diagnostic Chart with Trouble Code

AIRBAG SYSTEM (DIAGNOSTICS)

Step	Check	Yes	No
3 CHECK AIRBAG REAR HARNESS (SIDE AIRBAG MODULE HARNESS RH). 1) Turn the ignition switch to OFF, disconnect the battery ground cable, and wait for 60 seconds or more. 2) Disconnect the connector (AB26) from seat belt pretensioner (RH). 3) Disconnect the connector (AB33) from curtain airbag module (RH). 4) Disconnect the airbag resistor from test harness AJ. 5) Disconnect the connectors (AB6, AB17, AB18) from airbag control module. 6) Connect the connector (1AG) in the test harness AG to the connectors (AB6, AB17, AB18). NOTE: Except for XV models, connect test harness AH between the connectors (AB6, AB17, AB18) and (1AG). 7) Measure the resistance between connector (3AJ) in the test harness AJ and chassis ground. Connector & terminal (3AJ) No. 1 — (3AJ) No. 2:	Is the resistance 1 MΩ or more?	Go to step 4.	Replace the airbag rear harness along with body harness.
4 CHECK AIRBAG CONTROL MODULE. 1) Connect all connectors. 2) Clear the memory. 3) Perform the Inspection Mode. 4) Read the DTC. (Current malfunction)	Is the same DTC displayed?	Replace the airbag control module. <Ref. to AB-77, Airbag Control Module.>	Go to step 5.
5 CHECK FOR ANY OTHER DTC ON DISPLAY.	Is any other DTC displayed?	Check DTC using "List of Diagnostic Trouble Code (DTC)". <Ref. to AB(diag)-34, List of Diagnostic Trouble Code (DTC).>	Finish the diagnosis.

Diagnostic Chart with Trouble Code

AIRBAG SYSTEM (DIAGNOSTICS)

CS:DTC B1821 OPEN IN SIDE AIRBAG RH

DTC DETECTING CONDITION:

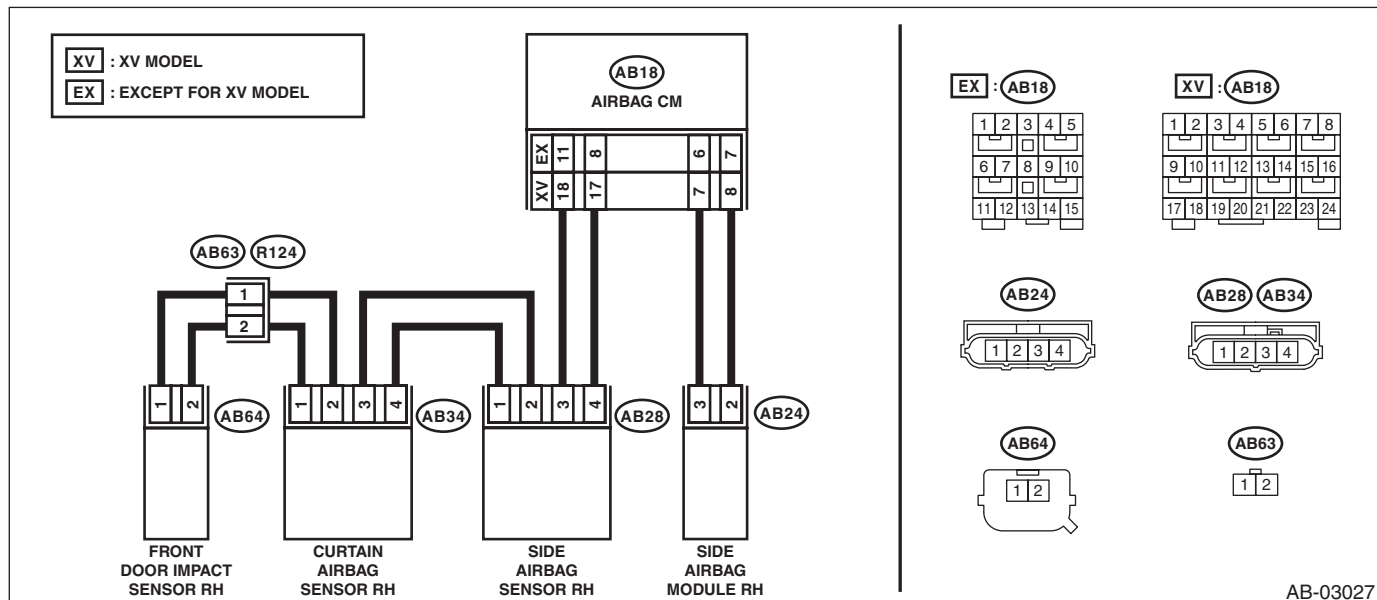
- Side airbag harness (RH) circuit is open.
- Side airbag module (RH) is faulty.
- Airbag control module is faulty.

CAUTION:

Before performing diagnosis, refer to “CAUTION” in “General Description”. <Ref. to AB(diag)-4, CAUTION, General Description.>

WIRING DIAGRAM:

Airbag system <Ref. to WI-30, WIRING DIAGRAM, Airbag System.>



Step	Check	Yes	No
1 CHECK POOR CONTACT OF CONNECTORS. Check for poor contact of the connectors between the airbag control module, side airbag module RH and the side airbag sensor RH.	Is there poor contact?	Replace the airbag rear harness along with body harness.	Go to step 2.
2 CHECK SIDE AIRBAG MODULE. 1) Turn the ignition switch to OFF, disconnect the battery ground cable, and wait for 60 seconds or more. 2) Disconnect the connector (AB24) from the side airbag module (RH), and connect the connector (1AJ) in the test harness AJ to connector (AB24). 3) Connect the airbag resistor to the test harness AJ connector (3AJ). 4) Connect the battery ground terminal and turn the ignition switch to ON.	Does the airbag warning light illuminate for 6 seconds and go off?	Replace the side airbag module (RH). <Ref. to AB-66, REMOVAL, Side Airbag Module.>	Go to step 3.

Diagnostic Chart with Trouble Code

AIRBAG SYSTEM (DIAGNOSTICS)

Step	Check	Yes	No
<p>3 CHECK AIRBAG REAR HARNESS (SIDE AIRBAG MODULE HARNESS RH).</p> <p>1) Turn the ignition switch to OFF, disconnect the battery ground cable, and wait for 60 seconds or more.</p> <p>2) Disconnect the connector (AB26) from seat belt pretensioner (RH).</p> <p>3) Disconnect the connector (AB33) from curtain airbag module (RH).</p> <p>4) Disconnect the airbag resistor from test harness AJ.</p> <p>5) Disconnect the connectors (AB6, AB17, AB18) from airbag control module.</p> <p>6) Connect the connector (1AG) in the test harness AG to the connectors (AB6, AB17, AB18).</p> <p>NOTE: Except for XV models, connect test harness AH between the connectors (AB6, AB17, AB18) and (1AG).</p> <p>7) Measure the resistance between connector in the test harness AG and connector in the test harness AJ.</p> <p>Connector & terminal XV model (5AG) No. 5 — (3AJ) No. 1: (5AG) No. 7 — (3AJ) No. 2: Except for XV model (4AG) No. 11 — (3AJ) No. 1: (4AG) No. 13 — (3AJ) No. 2:</p>	<p>Is the resistance less than 10 Ω?</p>	<p>Go to step 4.</p>	<p>Replace the airbag rear harness along with body harness.</p>
<p>4 CHECK AIRBAG CONTROL MODULE.</p> <p>1) Connect all connectors.</p> <p>2) Clear the memory.</p> <p>3) Perform the Inspection Mode.</p> <p>4) Read the DTC. (Current malfunction)</p>	<p>Is the same DTC displayed?</p>	<p>Replace the airbag control module. <Ref. to AB-77, Airbag Control Module.></p>	<p>Go to step 5.</p>
<p>5 CHECK FOR ANY OTHER DTC ON DISPLAY.</p>	<p>Is any other DTC displayed?</p>	<p>Check DTC using "List of Diagnostic Trouble Code (DTC)". <Ref. to AB(diag)-34, List of Diagnostic Trouble Code (DTC).></p>	<p>Finish the diagnosis.</p>

Diagnostic Chart with Trouble Code

AIRBAG SYSTEM (DIAGNOSTICS)

CT:DTC B1822 SHORT IN SIDE AIRBAG RH (TO GROUND)

DTC DETECTING CONDITION:

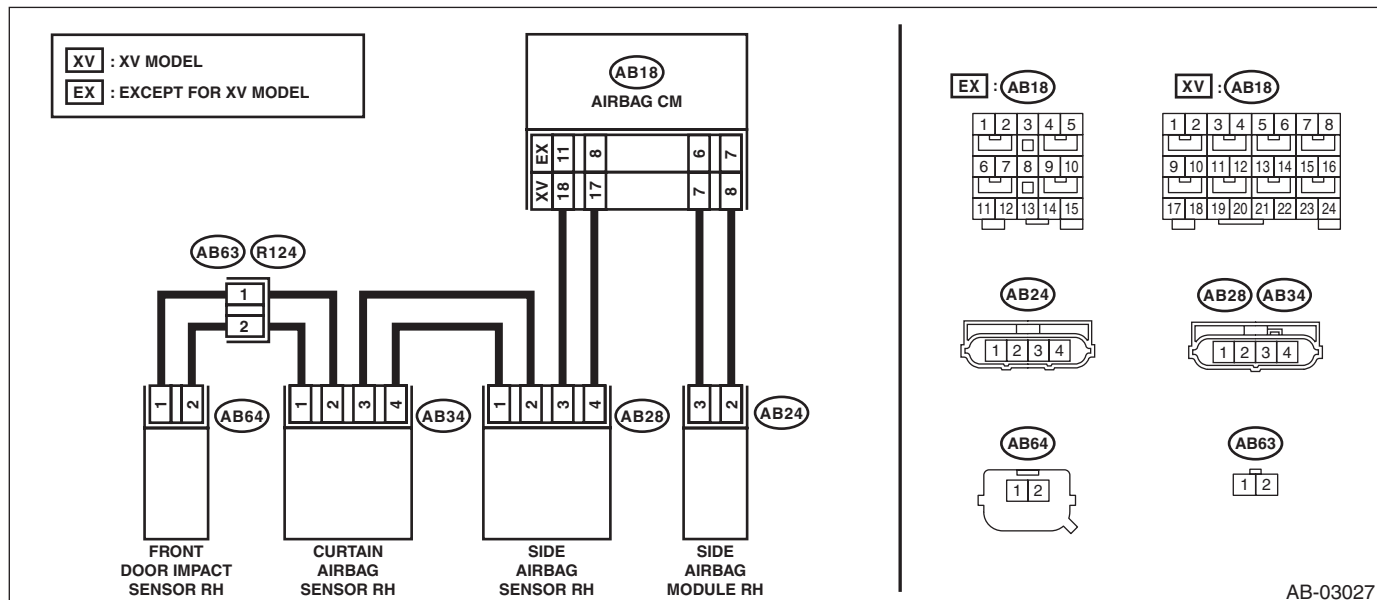
- Side airbag harness (RH) circuit is shorted to ground.
- Side airbag module (RH) is faulty.
- Airbag control module is faulty.

CAUTION:

Before performing diagnosis, refer to “CAUTION” in “General Description”. <Ref. to AB(diag)-4, CAUTION, General Description.>

WIRING DIAGRAM:

Airbag system <Ref. to WI-30, WIRING DIAGRAM, Airbag System.>



Step	Check	Yes	No
1 CHECK POOR CONTACT OF CONNECTORS. Check for poor contact of the connectors between the airbag control module, side airbag module RH and the side airbag sensor RH.	Is there poor contact?	Replace the airbag rear harness along with body harness.	Go to step 2.
2 CHECK SIDE AIRBAG MODULE. 1) Turn the ignition switch to OFF, disconnect the battery ground cable, and wait for 60 seconds or more. 2) Disconnect the connector (AB24), and connect the connector (1AJ) in test harness AJ to connector (AB24). 3) Connect the airbag resistor to the test harness AJ connector (3AJ). 4) Connect the battery ground terminal and turn the ignition switch to ON.	Does the airbag warning light illuminate for six seconds and go off?	Replace the side airbag module (RH). <Ref. to AB-66, REMOVAL, Side Airbag Module.>	Go to step 3.

Diagnostic Chart with Trouble Code

AIRBAG SYSTEM (DIAGNOSTICS)

Step	Check	Yes	No
3 CHECK AIRBAG REAR HARNESS (SIDE AIRBAG MODULE HARNESS RH). 1) Turn the ignition switch to OFF, disconnect the battery ground cable, and wait for 60 seconds or more. 2) Disconnect the connector (AB26) from seat belt pretensioner (RH). 3) Disconnect the connector (AB33) from curtain airbag module (RH). 4) Disconnect the airbag resistor from test harness AJ. 5) Disconnect the connectors (AB6, AB17, AB18) from airbag control module. 6) Connect the connector (1AG) in the test harness AG to the connectors (AB6, AB17, AB18). NOTE: Except for XV models, connect test harness AH between the connectors (AB6, AB17, AB18) and (1AG). 7) Measure the resistance between connector (3AJ) in the test harness AJ and chassis ground. <i>Connector & terminal</i> <i>(3AJ) No. 1 — Chassis ground:</i> <i>(3AJ) No. 2 — Chassis ground:</i>	Is the resistance 1 MΩ or more?	Go to step 4.	Replace the airbag rear harness along with body harness.
4 CHECK AIRBAG CONTROL MODULE. 1) Connect all connectors. 2) Clear the memory. 3) Perform the Inspection Mode. 4) Read the DTC. (Current malfunction)	Is the same DTC displayed?	Replace the airbag control module. <Ref. to AB-77, Airbag Control Module.>	Go to step 5.
5 CHECK FOR ANY OTHER DTC ON DISPLAY.	Is any other DTC displayed?	Check DTC using "List of Diagnostic Trouble Code (DTC)". <Ref. to AB(diag)-34, List of Diagnostic Trouble Code (DTC).>	Finish the diagnosis.

Diagnostic Chart with Trouble Code

AIRBAG SYSTEM (DIAGNOSTICS)

CU:DTC B1823 SHORT IN SIDE AIRBAG RH (TO +B)

DTC DETECTING CONDITION:

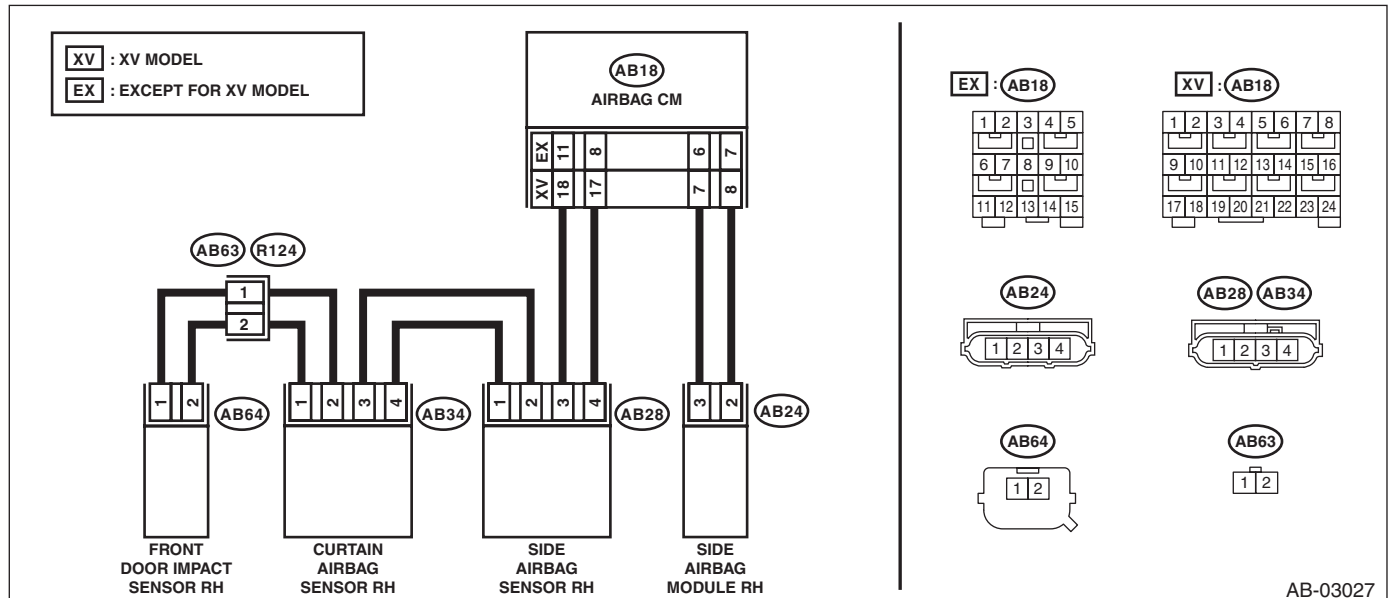
- Side airbag harness (RH) is shorted to power supply.
- Side airbag module (RH) is faulty.
- Airbag control module is faulty.

CAUTION:

Before performing diagnosis, refer to “CAUTION” in “General Description”. <Ref. to AB(diag)-4, CAUTION, General Description.>

WIRING DIAGRAM:

Airbag system <Ref. to WI-30, WIRING DIAGRAM, Airbag System.>



AB-03027

Step	Check	Yes	No
1 CHECK POOR CONTACT OF CONNECTORS. Check for poor contact of the connectors between the airbag control module, side airbag module RH and the side airbag sensor RH.	Is there poor contact?	Replace the airbag rear harness along with body harness.	Go to step 2.
2 CHECK SIDE AIRBAG MODULE. 1) Turn the ignition switch to OFF, disconnect the battery ground cable, and wait for 60 seconds or more. 2) Disconnect the connector (AB24), and connect the connector (1AJ) in test harness AJ to connector (AB24). 3) Connect the airbag resistor to the test harness AJ connector (3AJ). 4) Connect the battery ground terminal and turn the ignition switch to ON.	Does the airbag warning light illuminate for six seconds and go off?	Replace the side airbag module (RH). <Ref. to AB-66, REMOVAL, Side Airbag Module.>	Go to step 3.

Diagnostic Chart with Trouble Code

AIRBAG SYSTEM (DIAGNOSTICS)

Step	Check	Yes	No
3 CHECK AIRBAG REAR HARNESS (SIDE AIRBAG MODULE HARNESS RH). 1) Turn the ignition switch to OFF, disconnect the battery ground cable, and wait for 60 seconds or more. 2) Disconnect the connector (AB26) from seat belt pretensioner (RH). 3) Disconnect the connector (AB33) from curtain airbag module (RH). 4) Disconnect the airbag resistor from test harness. 5) Disconnect the connectors (AB6, AB17, AB18) from airbag control module. 6) Connect the connector (1AG) in the test harness AG to the connectors (AB6, AB17, AB18). NOTE: Except for XV models, connect test harness AH between the connectors (AB6, AB17, AB18) and (1AG). 7) Connect the battery ground terminal and turn the ignition switch to ON. 8) Measure the voltage between connector (3AJ) in the test harness AJ and chassis ground. Connector & terminal (3AJ) No. 1 (+) — Chassis ground (-): (3AJ) No. 2 (+) — Chassis ground (-):	Is the voltage less than 1 V?	Go to step 4.	Replace the airbag rear harness along with body harness.
4 CHECK AIRBAG CONTROL MODULE. 1) Connect all connectors. 2) Clear the memory. 3) Perform the Inspection Mode. 4) Read the DTC. (Current malfunction)	Is the same DTC displayed?	Replace the airbag control module. <Ref. to AB-77, Airbag Control Module.>	Go to step 5.
5 CHECK FOR ANY OTHER DTC ON DISPLAY.	Is any other DTC displayed?	Check DTC using "List of Diagnostic Trouble Code (DTC)". <Ref. to AB(diag)-34, List of Diagnostic Trouble Code (DTC).>	Finish the diagnosis.

Diagnostic Chart with Trouble Code

AIRBAG SYSTEM (DIAGNOSTICS)

CV:DTC B1825 SHORT IN SIDE AIRBAG LH

DTC DETECTING CONDITION:

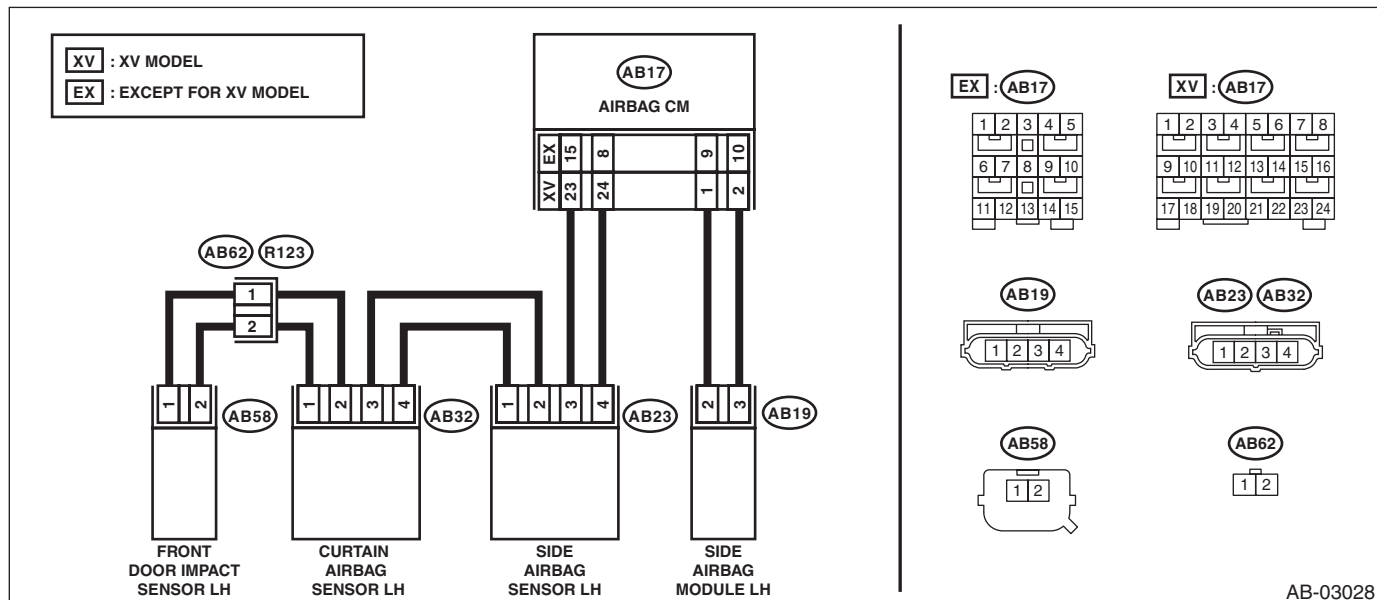
- Side airbag harness (LH) circuit is shorted.
- Side airbag module (LH) is faulty.
- Airbag control module is faulty.

CAUTION:

Before performing diagnosis, refer to “CAUTION” in “General Description”. <Ref. to AB(diag)-4, CAUTION, General Description.>

WIRING DIAGRAM:

Airbag system <Ref. to WI-30, WIRING DIAGRAM, Airbag System.>



Step	Check	Yes	No
1 CHECK POOR CONTACT OF CONNECTORS. Check for poor contact of the connectors between the airbag control module, side airbag module LH and the side airbag sensor LH.	Is there poor contact?	Replace the airbag rear harness along with body harness.	Go to step 2.
2 CHECK SIDE AIRBAG MODULE. 1) Turn the ignition switch to OFF, disconnect the battery ground cable, and wait for 60 seconds or more. 2) Disconnect the connector (AB19) from the side airbag module (LH), and connect the connector (1AJ) in test harness AJ to the connector (AB19). 3) Connect the airbag resistor to the test harness AJ connector (3AJ). 4) Connect the battery ground terminal and turn the ignition switch to ON.	Does the airbag warning light illuminate for 6 seconds and go off?	Replace the side airbag module (LH). <Ref. to AB-66, REMOVAL, Side Airbag Module.>	Go to step 3.

Diagnostic Chart with Trouble Code

AIRBAG SYSTEM (DIAGNOSTICS)

Step	Check	Yes	No
3 CHECK AIRBAG REAR HARNESS (SIDE AIRBAG MODULE HARNESS LH). 1) Turn the ignition switch to OFF, disconnect the battery ground cable, and wait for 60 seconds or more. 2) Disconnect the connector (AB21) from seat belt pretensioner (LH). 3) Disconnect the connector (AB31) from curtain airbag module (LH). 4) Disconnect the airbag resistor from test harness AJ. 5) Disconnect the connectors (AB6, AB17, AB18) from airbag control module. 6) Connect the connector (1AG) in the test harness AG to the connectors (AB6, AB17, AB18). NOTE: Except for XV models, connect test harness AH between the connectors (AB6, AB17, AB18) and (1AG). 7) Measure the resistance between connector (3AJ) terminals in test harness AJ. Connector & terminal (3AJ) No. 1 — (3AJ) No. 2:	Is the resistance 1 MΩ or more?	Go to step 4.	Replace the airbag rear harness along with body harness.
4 CHECK AIRBAG CONTROL MODULE. 1) Connect all connectors. 2) Clear the memory. 3) Perform the Inspection Mode. 4) Read the DTC. (Current malfunction)	Is the same DTC displayed?	Replace the airbag control module. <Ref. to AB-77, Airbag Control Module.>	Go to step 5.
5 CHECK FOR ANY OTHER DTC ON DISPLAY.	Is any other DTC displayed?	Check DTC using "List of Diagnostic Trouble Code (DTC)". <Ref. to AB(diag)-34, List of Diagnostic Trouble Code (DTC).>	Finish the diagnosis.

Diagnostic Chart with Trouble Code

AIRBAG SYSTEM (DIAGNOSTICS)

CW:DTC B1826 OPEN IN SIDE AIRBAG LH

DTC DETECTING CONDITION:

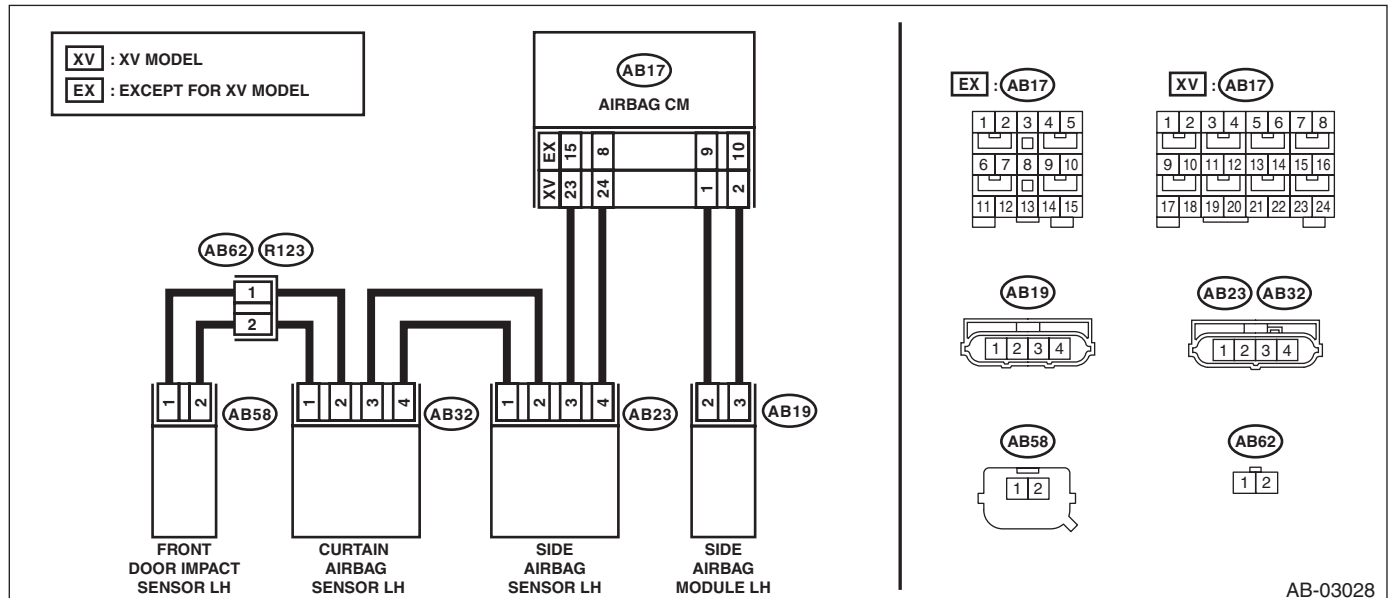
- Side airbag harness (LH) circuit is open.
- Side airbag module (LH) is faulty.
- Airbag control module is faulty.

CAUTION:

Before performing diagnosis, refer to “CAUTION” in “General Description”. <Ref. to AB(diag)-4, CAUTION, General Description.>

WIRING DIAGRAM:

Airbag system <Ref. to WI-30, WIRING DIAGRAM, Airbag System.>



AB-03028

Step	Check	Yes	No
1 CHECK POOR CONTACT OF CONNECTORS. Check for poor contact of the connectors between the airbag control module, side airbag module LH and the side airbag sensor LH.	Is there poor contact?	Replace the airbag rear harness along with body harness.	Go to step 2.
2 CHECK SIDE AIRBAG MODULE. 1) Turn the ignition switch to OFF, disconnect the battery ground cable, and wait for 60 seconds or more. 2) Disconnect the connector (AB19) from the side airbag module (LH), and connect the connector (1AJ) in test harness AJ to the connector (AB19). 3) Connect the airbag resistor to the test harness AJ connector (3AJ). 4) Connect the battery ground terminal and turn the ignition switch to ON.	Does the airbag warning light illuminate for 6 seconds and go off?	Replace the side airbag module (LH). <Ref. to AB-66, REMOVAL, Side Airbag Module.>	Go to step 3.

Diagnostic Chart with Trouble Code

AIRBAG SYSTEM (DIAGNOSTICS)

Step	Check	Yes	No
<p>3 CHECK AIRBAG REAR HARNESS (SIDE AIRBAG MODULE HARNESS LH).</p> <p>1) Turn the ignition switch to OFF, disconnect the battery ground cable, and wait for 60 seconds or more.</p> <p>2) Disconnect the connector (AB21) from seat belt pretensioner (LH).</p> <p>3) Disconnect the connector (AB31) from curtain airbag module (LH).</p> <p>4) Disconnect the airbag resistor from test harness AJ.</p> <p>5) Disconnect the connectors (AB6, AB17, AB18) from airbag control module.</p> <p>6) Connect the connector (1AG) in the test harness AG to the connectors (AB6, AB17, AB18).</p> <p>NOTE: Except for XV models, connect test harness AH between the connectors (AB6, AB17, AB18) and (1AG).</p> <p>7) Measure the resistance between connector (4AG) or (5AG) in the test harness AG and connector (3AJ) in the test harness AJ.</p> <p>Connector & terminal <i>XV model</i> (5AG) No. 1 — (3AJ) No. 2: (5AG) No. 3 — (3AJ) No. 1: <i>Except for XV model</i> (4AG) No. 8 — (3AJ) No. 2: (4AG) No. 10 — (3AJ) No. 1:</p>	<p>Is the resistance less than 10 Ω?</p>	<p>Go to step 4.</p>	<p>Replace the airbag rear harness along with body harness.</p>
<p>4 CHECK AIRBAG CONTROL MODULE.</p> <p>1) Connect all connectors.</p> <p>2) Clear the memory.</p> <p>3) Perform the Inspection Mode.</p> <p>4) Read the DTC. (Current malfunction)</p>	<p>Is the same DTC displayed?</p>	<p>Replace the airbag control module. <Ref. to AB-77, Airbag Control Module.></p>	<p>Go to step 5.</p>
<p>5 CHECK FOR ANY OTHER DTC ON DISPLAY.</p>	<p>Is any other DTC displayed?</p>	<p>Check DTC using "List of Diagnostic Trouble Code (DTC)". <Ref. to AB(diag)-34, List of Diagnostic Trouble Code (DTC).></p>	<p>Finish the diagnosis.</p>

Diagnostic Chart with Trouble Code

AIRBAG SYSTEM (DIAGNOSTICS)

CX:DTC B1827 SHORT IN SIDE AIRBAG LH (TO GROUND)

DTC DETECTING CONDITION:

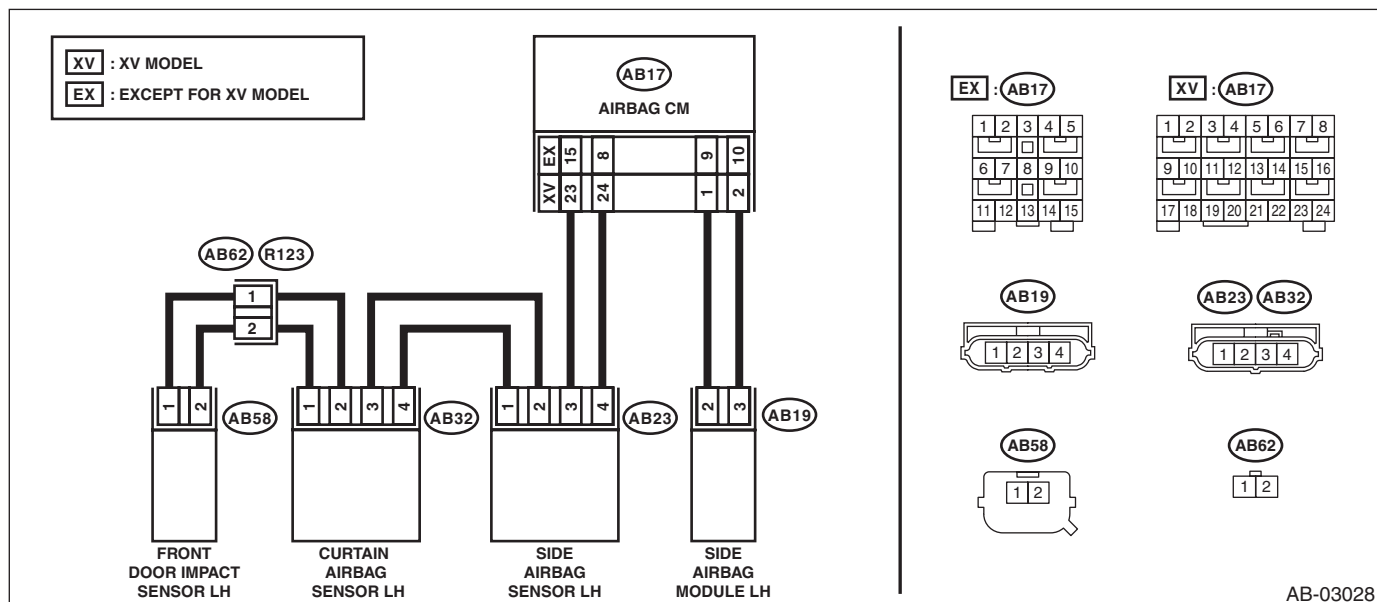
- Side airbag harness (LH) circuit is shorted to ground.
- Side airbag module (LH) is faulty.
- Airbag control module is faulty.

CAUTION:

Before performing diagnosis, refer to “CAUTION” in “General Description”. <Ref. to AB(diag)-4, CAUTION, General Description.>

WIRING DIAGRAM:

Airbag system <Ref. to WI-30, WIRING DIAGRAM, Airbag System.>



Step	Check	Yes	No
1 CHECK POOR CONTACT OF CONNECTORS. Check for poor contact of the connectors between the airbag control module, side airbag module LH and the side airbag sensor LH.	Is there poor contact?	Replace the airbag rear harness along with body harness.	Go to step 2.
2 CHECK SIDE AIRBAG MODULE. 1) Turn the ignition switch to OFF, disconnect the battery ground cable, and wait for 60 seconds or more. 2) Disconnect the connector (AB19), and connect the connector (1AJ) in test harness AJ to connector (AB19). 3) Connect the airbag resistor to the test harness AJ connector (3AJ). 4) Connect the battery ground terminal and turn the ignition switch to ON.	Does the airbag warning light illuminate for six seconds and go off?	Replace the side airbag module (LH). <Ref. to AB-66, REMOVAL, Side Airbag Module.>	Go to step 3.

Diagnostic Chart with Trouble Code

AIRBAG SYSTEM (DIAGNOSTICS)

Step	Check	Yes	No
3 CHECK AIRBAG REAR HARNESS (SIDE AIRBAG MODULE HARNESS LH). 1) Turn the ignition switch to OFF, disconnect the battery ground cable, and wait for 60 seconds or more. 2) Disconnect the connector (AB21) from seat belt pretensioner (LH). 3) Disconnect the connector (AB31) from curtain airbag module (LH). 4) Disconnect the airbag resistor from test harness. 5) Disconnect the connectors (AB6, AB17, AB18) from airbag control module. 6) Connect the connector (1AG) in the test harness AG to the connectors (AB6, AB17, AB18). NOTE: Except for XV models, connect test harness AH between the connectors (AB6, AB17, AB18) and (1AG). 7) Measure the resistance between connector (3AJ) in the test harness AJ and chassis ground. <i>Connector & terminal</i> <i>(3AJ) No. 1 — Chassis ground:</i> <i>(3AJ) No. 2 — Chassis ground:</i>	Is the resistance 1 MΩ or more?	Go to step 4.	Replace the airbag rear harness along with body harness.
4 CHECK AIRBAG CONTROL MODULE. 1) Connect all connectors. 2) Clear the memory. 3) Perform the Inspection Mode. 4) Read the DTC. (Current malfunction)	Is the same DTC displayed?	Replace the airbag control module. <Ref. to AB-77, Airbag Control Module.>	Go to step 5.
5 CHECK FOR ANY OTHER DTC ON DISPLAY.	Is any other DTC displayed?	Check DTC using "List of Diagnostic Trouble Code (DTC)". <Ref. to AB(diag)-34, List of Diagnostic Trouble Code (DTC).>	Finish the diagnosis.

Diagnostic Chart with Trouble Code

AIRBAG SYSTEM (DIAGNOSTICS)

CY:DTC B1828 SHORT IN SIDE AIRBAG LH (TO +B)

DTC DETECTING CONDITION:

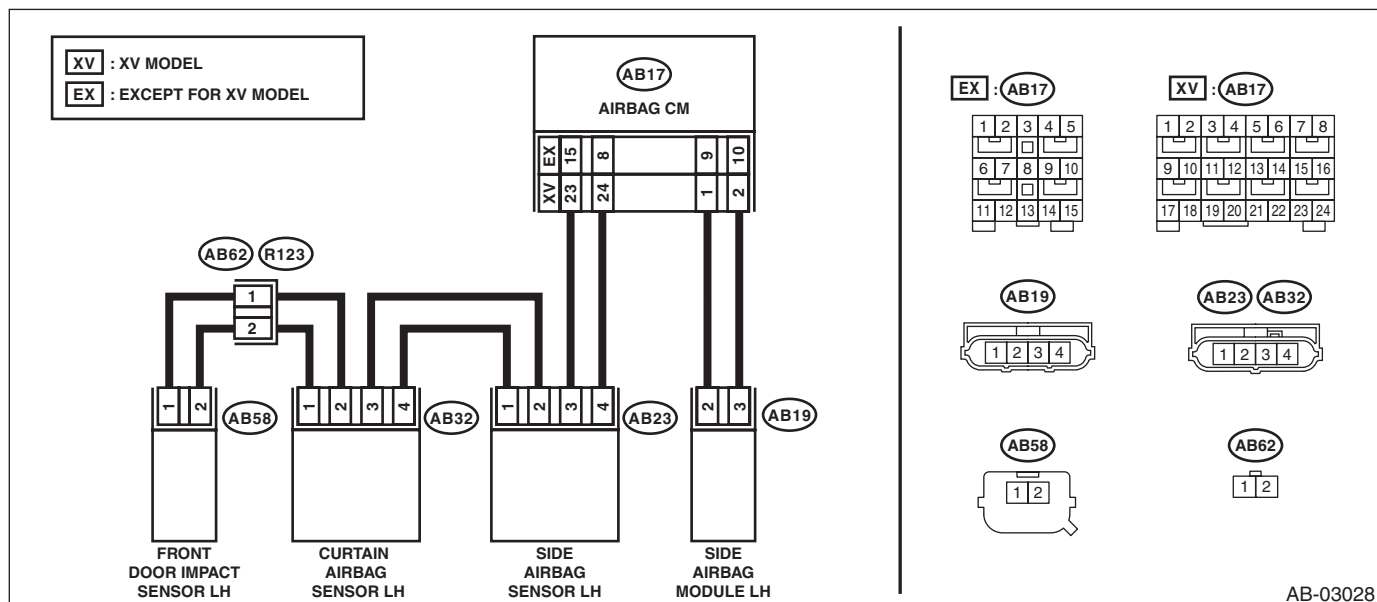
- Side airbag harness (LH) is shorted to power supply.
- Side airbag module (LH) is faulty.
- Airbag control module is faulty.

CAUTION:

Before performing diagnosis, refer to “CAUTION” in “General Description”. <Ref. to AB(diag)-4, CAUTION, General Description.>

WIRING DIAGRAM:

Airbag system <Ref. to WI-30, WIRING DIAGRAM, Airbag System.>



Step	Check	Yes	No
1 CHECK POOR CONTACT OF CONNECTORS. Check for poor contact of the connectors between the airbag control module, side airbag module LH and the side airbag sensor LH.	Is there poor contact?	Replace the airbag rear harness along with body harness.	Go to step 2.
2 CHECK SIDE AIRBAG MODULE. 1) Turn the ignition switch to OFF, disconnect the battery ground cable, and wait for 60 seconds or more. 2) Disconnect the connector (AB19), and connect the connector (1AJ) in test harness AJ to connector (AB19). 3) Connect the airbag resistor to the test harness AJ connector (3AJ). 4) Connect the battery ground terminal and turn the ignition switch to ON.	Does the airbag warning light illuminate for six seconds and go off?	Replace the side airbag module (LH). <Ref. to AB-66, REMOVAL, Side Airbag Module.>	Go to step 3.

Diagnostic Chart with Trouble Code

AIRBAG SYSTEM (DIAGNOSTICS)

Step	Check	Yes	No
3 CHECK AIRBAG REAR HARNESS (SIDE AIRBAG MODULE HARNESS LH). 1) Turn the ignition switch to OFF, disconnect the battery ground cable, and wait for 60 seconds or more. 2) Disconnect the connector (AB21) from seat belt pretensioner (LH). 3) Disconnect the connector (AB31) from curtain airbag module (LH). 4) Disconnect the airbag resistor from test harness. 5) Disconnect the connectors (AB6, AB17, AB18) from airbag control module. 6) Connect the connector (1AG) in the test harness AG to the connectors (AB6, AB17, AB18). NOTE: Except for XV models, connect test harness AH between the connectors (AB6, AB17, AB18) and (1AG). 7) Connect the battery ground terminal and turn the ignition switch to ON. 8) Measure the voltage between connector (3AJ) in the test harness AJ and chassis ground. Connector & terminal (3AJ) No. 1 (+) — Chassis ground (-): (3AJ) No. 2 (+) — Chassis ground (-):	Is the voltage less than 1 V?	Go to step 4.	Replace the airbag rear harness along with body harness.
4 CHECK AIRBAG CONTROL MODULE. 1) Connect all connectors. 2) Clear the memory. 3) Perform the Inspection Mode. 4) Read the DTC. (Current malfunction)	Is the same DTC displayed?	Replace the airbag control module. <Ref. to AB-77, Airbag Control Module.>	Go to step 5.
5 CHECK FOR ANY OTHER DTC ON DISPLAY.	Is any other DTC displayed?	Check DTC using "List of Diagnostic Trouble Code (DTC)". <Ref. to AB(diag)-34, List of Diagnostic Trouble Code (DTC).>	Finish the diagnosis.

Diagnostic Chart with Trouble Code

AIRBAG SYSTEM (DIAGNOSTICS)

CZ:DTC B1830 SHORT IN CURTAIN AIRBAG RH SQUIB CIRCUIT

DTC DETECTING CONDITION:

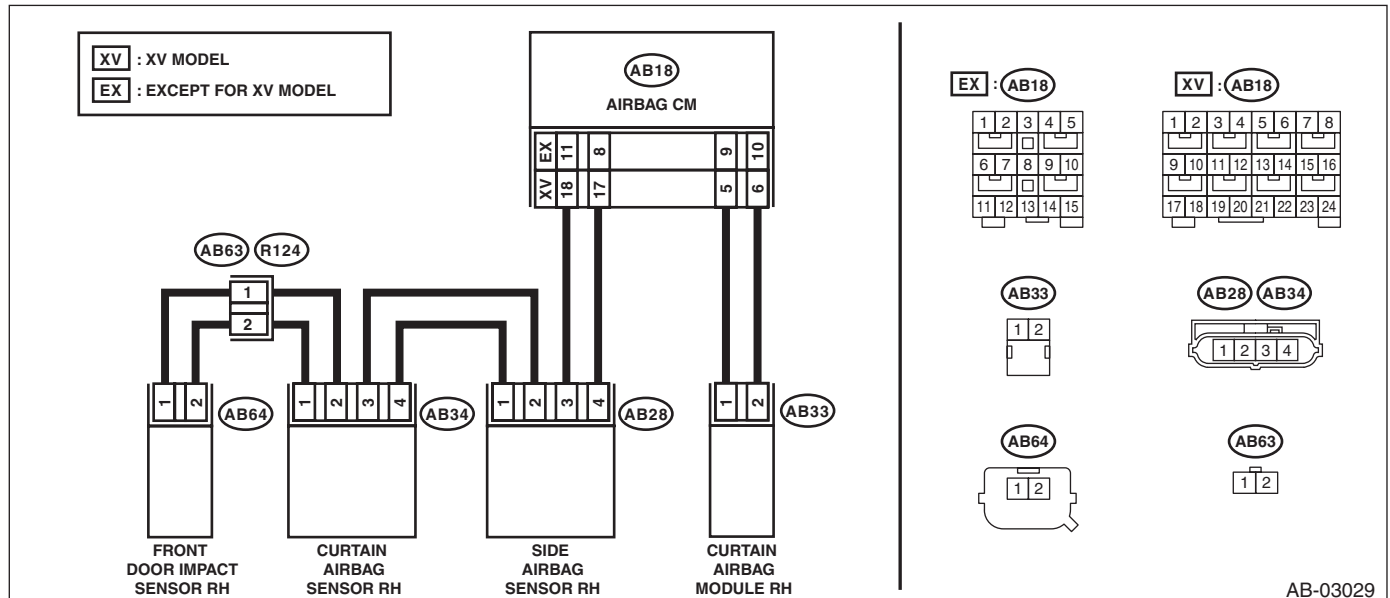
- Curtain airbag harness (RH) circuit is shorted.
- Curtain airbag module (RH) is faulty.
- Airbag control module is faulty.

CAUTION:

Before performing diagnosis, refer to “CAUTION” in “General Description”. <Ref. to AB(diag)-4, CAUTION, General Description.>

WIRING DIAGRAM:

Airbag system <Ref. to WI-30, WIRING DIAGRAM, Airbag System.>



Step	Check	Yes	No
1 CHECK POOR CONTACT OF CONNECTORS. Check for poor contact of the connectors between the airbag control module, curtain airbag module RH and the curtain airbag sensor RH.	Is there poor contact?	Replace the airbag rear harness along with body harness.	Go to step 2.
2 CHECK CURTAIN AIRBAG MODULE. 1) Turn the ignition switch to OFF, disconnect the battery ground cable, and wait for 60 seconds or more. 2) Disconnect the connector (AB33) from curtain airbag module (RH). 3) Connect the connector (1N) in the test harness N to the connector (AB33). 4) Connect the airbag resistor to the connector (2N) of test harness N. 5) Connect the battery ground terminal and turn the ignition switch to ON.	Does the airbag warning light illuminate for 6 seconds and go off?	Replace the curtain airbag module (RH). <Ref. to AB-74, Curtain Airbag Module.>	Go to step 3.

Diagnostic Chart with Trouble Code

AIRBAG SYSTEM (DIAGNOSTICS)

Step	Check	Yes	No
3 CHECK AIRBAG REAR HARNESS (CURTAIN AIRBAG MODULE HARNESS RH). 1) Turn the ignition switch to OFF, disconnect the battery ground cable, and wait for 60 seconds or more. 2) Disconnect the connector (AB26) from seat belt pretensioner (RH). 3) Disconnect connector (AB24) from side airbag module (RH). 4) Disconnect the airbag resistor from test harness N. 5) Disconnect the connectors (AB6, AB17, AB18) from airbag control module. 6) Connect the connector (1AG) in the test harness AG to the connectors (AB6, AB17, AB18). NOTE: Except for XV models, connect test harness AH between the connectors (AB6, AB17, AB18) and (1AG). 7) Measure the resistance between connector (2N) terminals in test harness N. Connector & terminal (2N) No. 1 — (2N) No. 2:	Is the resistance 1 MΩ or more?	Go to step 4.	Replace the airbag rear harness along with body harness.
4 CHECK AIRBAG CONTROL MODULE. 1) Connect all connectors. 2) Clear the memory. 3) Perform the Inspection Mode. 4) Read the DTC. (Current malfunction)	Is the same DTC displayed?	Replace the airbag control module. <Ref. to AB-77, Airbag Control Module.>	Go to step 5.
5 CHECK FOR ANY OTHER DTC ON DISPLAY.	Is any other DTC displayed?	Check DTC using "List of Diagnostic Trouble Code (DTC)". <Ref. to AB(diag)-34, List of Diagnostic Trouble Code (DTC).>	Finish the diagnosis.

Diagnostic Chart with Trouble Code

AIRBAG SYSTEM (DIAGNOSTICS)

DA:DTC B1831 OPEN IN CURTAIN AIRBAG RH SQUIB CIRCUIT

DTC DETECTING CONDITION:

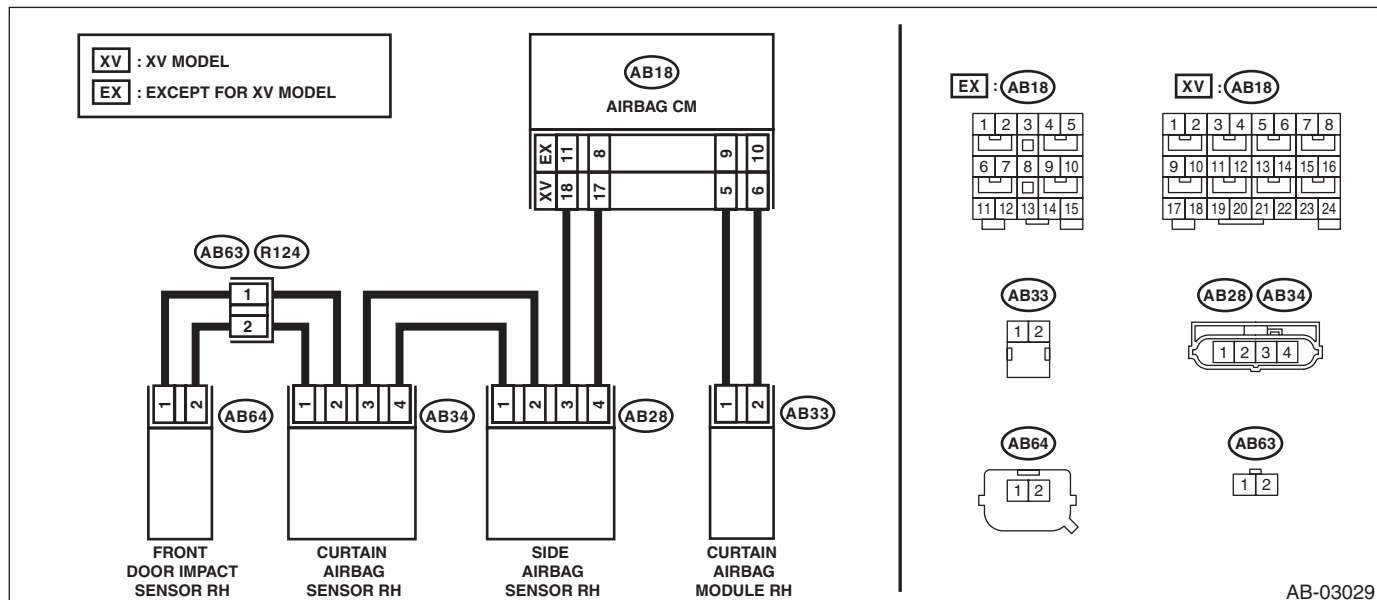
- Curtain airbag harness (RH) circuit is open.
- Curtain airbag module (RH) is faulty.
- Airbag control module is faulty.

CAUTION:

Before performing diagnosis, refer to “CAUTION” in “General Description”. <Ref. to AB(diag)-4, CAUTION, General Description.>

WIRING DIAGRAM:

Airbag system <Ref. to WI-30, WIRING DIAGRAM, Airbag System.>



Step	Check	Yes	No
1 CHECK POOR CONTACT OF CONNECTORS. Check for poor contact of the connectors between the airbag control module, curtain airbag module RH and the curtain airbag sensor RH.	Is there poor contact?	Replace the airbag rear harness along with body harness.	Go to step 2.
2 CHECK CURTAIN AIRBAG MODULE. 1) Turn the ignition switch to OFF, disconnect the battery ground cable, and wait for 60 seconds or more. 2) Disconnect the connector (AB33) from curtain airbag module (RH). 3) Connect the connector (1N) in the test harness N to the connector (AB33). 4) Connect the airbag resistor to the connector (2N) of test harness N. 5) Connect the battery ground terminal and turn the ignition switch to ON.	Does the airbag warning light illuminate for 6 seconds and go off?	Replace the curtain airbag module (RH). <Ref. to AB-74, Curtain Airbag Module.>	Go to step 3.

Diagnostic Chart with Trouble Code

AIRBAG SYSTEM (DIAGNOSTICS)

Step	Check	Yes	No
<p>3 CHECK AIRBAG REAR HARNESS (CURTAIN AIRBAG MODULE HARNESS RH).</p> <p>1) Turn the ignition switch to OFF, disconnect the battery ground cable, and wait for 60 seconds or more.</p> <p>2) Disconnect the connector (AB26) from seat belt pretensioner (RH).</p> <p>3) Disconnect connector (AB24) from side airbag module (RH).</p> <p>4) Disconnect the airbag resistor from test harness N.</p> <p>5) Disconnect the connectors (AB6, AB17, AB18) from airbag control module.</p> <p>6) Connect the connector (1AG) in the test harness AG to the connectors (AB6, AB17, AB18).</p> <p>NOTE: Except for XV models, connect test harness AH between the connectors (AB6, AB17, AB18) and (1AG).</p> <p>7) Measure the resistance between connector (5AG) or (6AG) in the test harness AG and connector (2N) in the test harness N.</p> <p>Connector & terminal <i>XV model</i> (6AG) No. 8 — (2N) No. 1: (6AG) No. 6 — (2N) No. 2: <i>Except for XV model</i> (5AG) No. 6 — (2N) No. 2: (5AG) No. 12 — (2N) No. 1:</p>	<p>Is the resistance less than 10 Ω?</p>	<p>Go to step 4.</p>	<p>Replace the airbag rear harness along with body harness.</p>
<p>4 CHECK AIRBAG CONTROL MODULE.</p> <p>1) Connect all connectors.</p> <p>2) Clear the memory.</p> <p>3) Perform the Inspection Mode.</p> <p>4) Read the DTC. (Current malfunction)</p>	<p>Is the same DTC displayed?</p>	<p>Replace the airbag control module. <Ref. to AB-77, Airbag Control Module.></p>	<p>Go to step 5.</p>
<p>5 CHECK FOR ANY OTHER DTC ON DISPLAY.</p>	<p>Is any other DTC displayed?</p>	<p>Check DTC using "List of Diagnostic Trouble Code (DTC)". <Ref. to AB(diag)-34, List of Diagnostic Trouble Code (DTC).></p>	<p>Finish the diagnosis.</p>

Diagnostic Chart with Trouble Code

AIRBAG SYSTEM (DIAGNOSTICS)

DB:DTC B1832 SHORT IN CURTAIN AIRBAG RH SQUIB CIRCUIT (TO GROUND)

DTC DETECTING CONDITION:

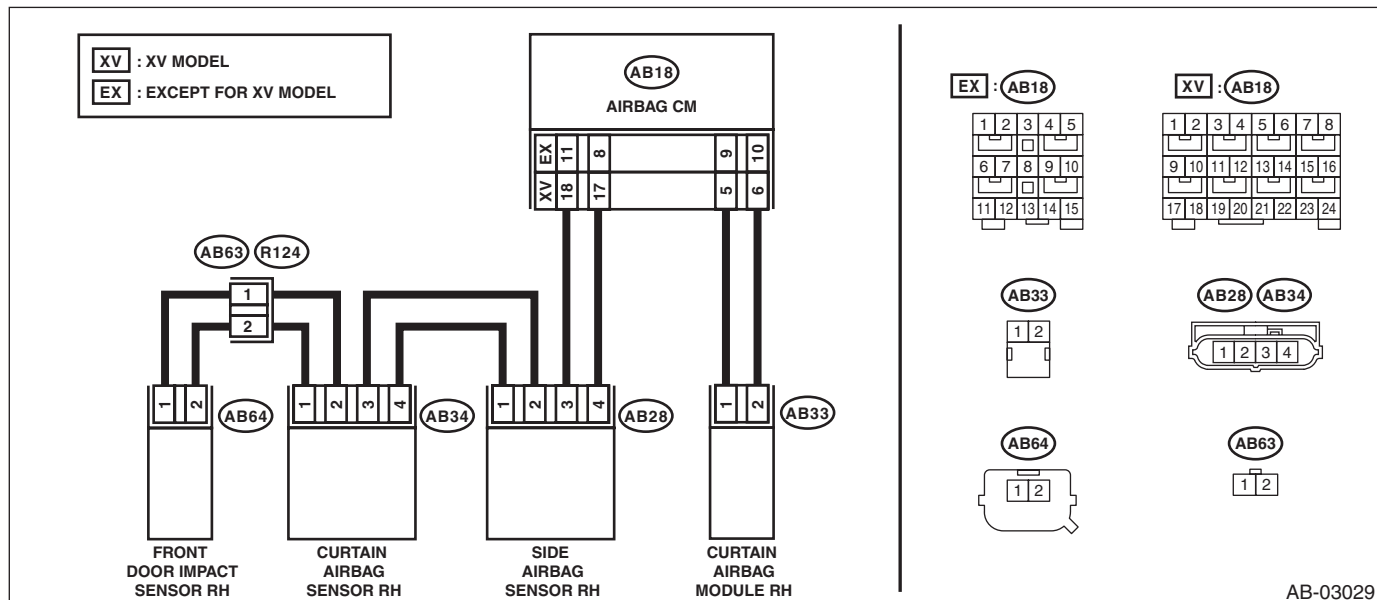
- Curtain airbag harness (RH) circuit is shorted to ground.
- Curtain airbag module (RH) is faulty.
- Airbag control module is faulty.

CAUTION:

Before performing diagnosis, refer to “CAUTION” in “General Description”. <Ref. to AB(diag)-4, CAUTION, General Description.>

WIRING DIAGRAM:

Airbag system <Ref. to WI-30, WIRING DIAGRAM, Airbag System.>



Step	Check	Yes	No
1 CHECK POOR CONTACT OF CONNECTORS. Check for poor contact of the connectors between the airbag control module, curtain airbag module RH and the curtain airbag sensor RH.	Is there poor contact?	Replace the airbag rear harness along with body harness.	Go to step 2.
2 CHECK CURTAIN AIRBAG MODULE. 1) Turn the ignition switch to OFF, disconnect the battery ground cable, and wait for 60 seconds or more. 2) Disconnect the connector (AB33), and connect the connector (1N) in test harness N to connector (AB33). 3) Connect the airbag resistor to the connector (2N) of test harness N. 4) Connect the battery ground terminal and turn the ignition switch to ON.	Does the airbag warning light illuminate for six seconds and go off?	Replace the curtain airbag module (RH). <Ref. to AB-74, Curtain Airbag Module.>	Go to step 3.

Diagnostic Chart with Trouble Code

AIRBAG SYSTEM (DIAGNOSTICS)

Step	Check	Yes	No
3 CHECK AIRBAG REAR HARNESS (CURTAIN AIRBAG MODULE HARNESS RH). 1) Turn the ignition switch to OFF, disconnect the battery ground cable, and wait for 60 seconds or more. 2) Disconnect the connector (AB26) from seat belt pretensioner (RH). 3) Disconnect connector (AB24) from side airbag module (RH). 4) Disconnect the airbag resistor from test harness N. 5) Disconnect the connectors (AB6, AB17, AB18) from airbag control module. 6) Connect the connector (1AG) in the test harness AG to the connectors (AB6, AB17, AB18). NOTE: For XV models, connect test harness AH between the connectors (AB6, AB17, AB18) and (1AG). 7) Measure the resistance between connector (2N) in the test harness N and chassis ground. Connector & terminal (2N) No. 1 — Chassis ground: (2N) No. 2 — Chassis ground:	Is the resistance 1 MΩ or more?	Go to step 4.	Replace the airbag rear harness along with body harness.
4 CHECK AIRBAG CONTROL MODULE. 1) Connect all connectors. 2) Clear the memory. 3) Perform the Inspection Mode. 4) Read the DTC. (Current malfunction)	Is the same DTC displayed?	Replace the airbag control module. <Ref. to AB-77, Airbag Control Module.>	Go to step 5.
5 CHECK FOR ANY OTHER DTC ON DISPLAY.	Is any other DTC displayed?	Check DTC using "List of Diagnostic Trouble Code (DTC)". <Ref. to AB(diag)-34, List of Diagnostic Trouble Code (DTC).>	Finish the diagnosis.

Diagnostic Chart with Trouble Code

AIRBAG SYSTEM (DIAGNOSTICS)

DC:DTC B1833 SHORT IN CURTAIN SHIELD AIRBAG RH SQUIB CIRCUIT (TO +B)

DTC DETECTING CONDITION:

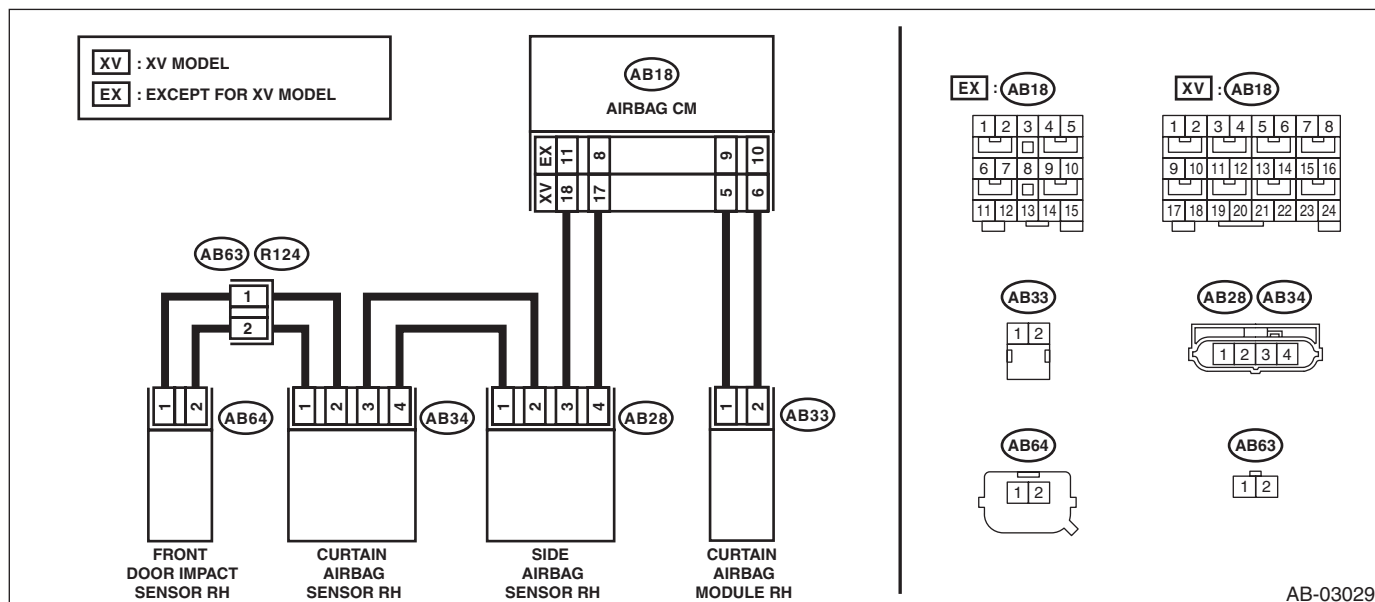
- Curtain airbag harness (RH) is shorted to power supply.
- Curtain airbag module (RH) is faulty.
- Airbag control module is faulty.

CAUTION:

Before performing diagnosis, refer to “CAUTION” in “General Description”. <Ref. to AB(diag)-4, CAUTION, General Description.>

WIRING DIAGRAM:

Airbag system <Ref. to WI-30, WIRING DIAGRAM, Airbag System.>



Step	Check	Yes	No
1 CHECK POOR CONTACT OF CONNECTORS. Check for poor contact of the connectors between the airbag control module, curtain airbag module RH and the curtain airbag sensor RH.	Is there poor contact?	Replace the airbag rear harness along with body harness.	Go to step 2.
2 CHECK CURTAIN AIRBAG MODULE. 1) Turn the ignition switch to OFF, disconnect the battery ground cable, and wait for 60 seconds or more. 2) Disconnect the connector (AB33), and connect the connector (1N) in test harness N to connector (AB33). 3) Connect the airbag resistor to the connector (2N) of test harness N. 4) Connect the battery ground terminal and turn the ignition switch to ON.	Does the airbag warning light illuminate for six seconds and go off?	Replace the curtain airbag module (RH). <Ref. to AB-74, Curtain Airbag Module.>	Go to step 3.

Diagnostic Chart with Trouble Code

AIRBAG SYSTEM (DIAGNOSTICS)

Step	Check	Yes	No
3 CHECK AIRBAG REAR HARNESS (CURTAIN AIRBAG MODULE HARNESS RH). 1) Turn the ignition switch to OFF, disconnect the battery ground cable, and wait for 60 seconds or more. 2) Disconnect the connector (AB26) from seat belt pretensioner (RH). 3) Disconnect connector (AB24) from side airbag module (RH). 4) Disconnect the airbag resistor from test harness N. 5) Disconnect the connectors (AB6, AB17, AB18) from airbag control module. 6) Connect the connector (1AG) in the test harness AG to the connectors (AB6, AB17, AB18). NOTE: Except for XV models, connect test harness AH between the connectors (AB6, AB17, AB18) and (1AG). 7) Connect the battery ground terminal and turn the ignition switch to ON. 8) Measure the voltage between connector (2N) in the test harness N and chassis ground. Connector & terminal <i>(2N) No. 1 (+) — Chassis ground (-):</i> <i>(2N) No. 2 (+) — Chassis ground (-):</i>	Is the voltage less than 1 V?	Go to step 4.	Replace the airbag rear harness along with body harness.
4 CHECK AIRBAG CONTROL MODULE. 1) Connect all connectors. 2) Clear the memory. 3) Perform the Inspection Mode. 4) Read the DTC. (Current malfunction)	Is the same DTC displayed?	Replace the airbag control module. <Ref. to AB-77, Airbag Control Module.>	Go to step 5.
5 CHECK FOR ANY OTHER DTC ON DISPLAY.	Is any other DTC displayed?	Check DTC using "List of Diagnostic Trouble Code (DTC)". <Ref. to AB(diag)-34, List of Diagnostic Trouble Code (DTC).>	Finish the diagnosis.

Diagnostic Chart with Trouble Code

AIRBAG SYSTEM (DIAGNOSTICS)

DD:DTC B1835 SHORT IN CURTAIN AIRBAG LH SQUIB CIRCUIT

DTC DETECTING CONDITION:

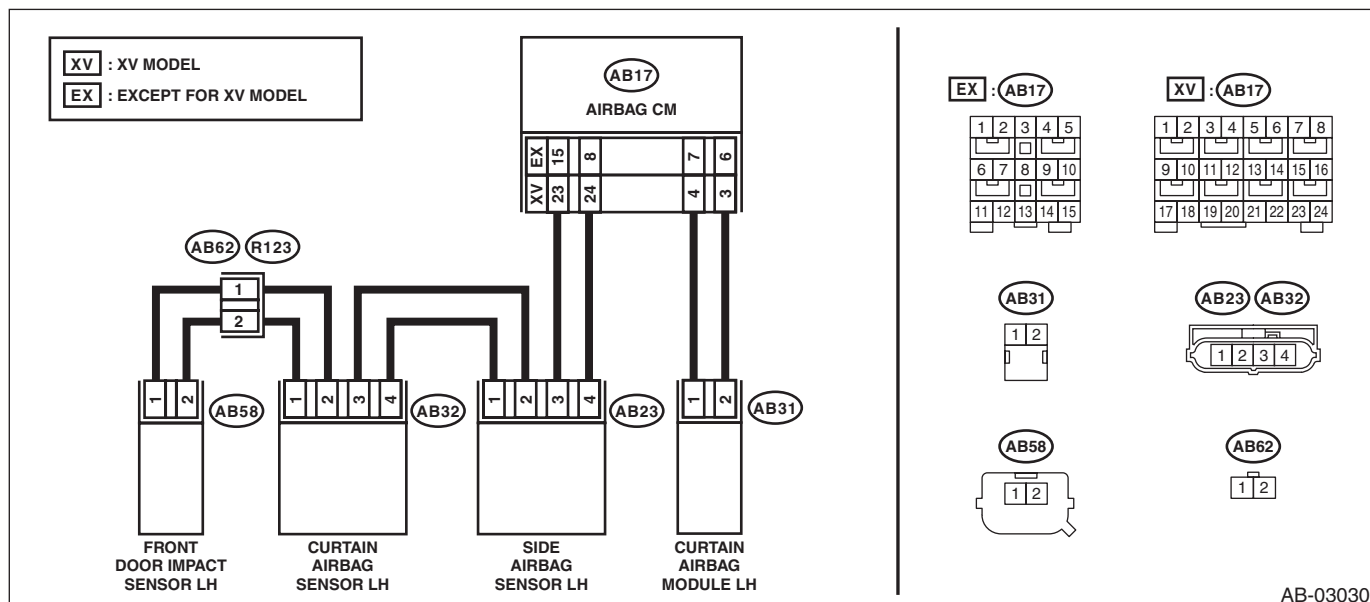
- Curtain airbag harness (LH) circuit is shorted.
- Curtain airbag module (LH) is faulty.
- Airbag control module is faulty.

CAUTION:

Before performing diagnosis, refer to “CAUTION” in “General Description”. <Ref. to AB(diag)-4, CAUTION, General Description.>

WIRING DIAGRAM:

Airbag system <Ref. to WI-30, WIRING DIAGRAM, Airbag System.>



Step	Check	Yes	No
1 CHECK POOR CONTACT OF CONNECTORS. Check for poor contact of the connectors between the airbag control module, curtain airbag module LH and the curtain airbag sensor LH.	Is there poor contact?	Replace the airbag rear harness along with body harness.	Go to step 2.
2 CHECK CURTAIN AIRBAG MODULE. 1) Turn the ignition switch to OFF, disconnect the battery ground cable, and wait for 60 seconds or more. 2) Disconnect the connector (AB31) from curtain airbag module (LH). 3) Connect the connector (1N) in the test harness N to the connector (AB31). 4) Connect the airbag resistor to the connector (2N) of test harness N. 5) Connect the battery ground terminal and turn the ignition switch to ON.	Does the airbag warning light illuminate for 6 seconds and go off?	Replace the curtain airbag module (LH). <Ref. to AB-74, Curtain Airbag Module.>	Go to step 3.

Diagnostic Chart with Trouble Code

AIRBAG SYSTEM (DIAGNOSTICS)

Step	Check	Yes	No
3 CHECK AIRBAG REAR HARNESS (CURTAIN AIRBAG MODULE HARNESS LH). 1) Turn the ignition switch to OFF, disconnect the battery ground cable, and wait for 60 seconds or more. 2) Disconnect the connector (AB21) from seat belt pretensioner (LH). 3) Disconnect connector (AB19) from side airbag module (LH). 4) Disconnect the airbag resistor from test harness N. 5) Disconnect the connectors (AB6, AB17, AB18) from airbag control module. 6) Connect the connector (1AG) in the test harness AG to the connectors (AB6, AB17, AB18). NOTE: Except for XV models, connect test harness AH between the connectors (AB6, AB17, AB18) and (1AG). 7) Measure the resistance between connector (2N) terminals in test harness N. Connector & terminal (2N) No. 1 — (2N) No. 2:	Is the resistance 1 MΩ or more?	Go to step 4.	Replace the airbag rear harness along with body harness.
4 CHECK AIRBAG CONTROL MODULE. 1) Connect all connectors. 2) Clear the memory. 3) Perform the Inspection Mode. 4) Read the DTC. (Current malfunction)	Is the same DTC displayed?	Replace the airbag control module. <Ref. to AB-77, Airbag Control Module.>	Go to step 5.
5 CHECK FOR ANY OTHER DTC ON DISPLAY.	Is any other DTC displayed?	Check DTC using "List of Diagnostic Trouble Code (DTC)". <Ref. to AB(diag)-34, List of Diagnostic Trouble Code (DTC).>	Finish the diagnosis.

Diagnostic Chart with Trouble Code

AIRBAG SYSTEM (DIAGNOSTICS)

DE:DTC B1836 OPEN IN CURTAIN AIRBAG LH SQUIB CIRCUIT

DTC DETECTING CONDITION:

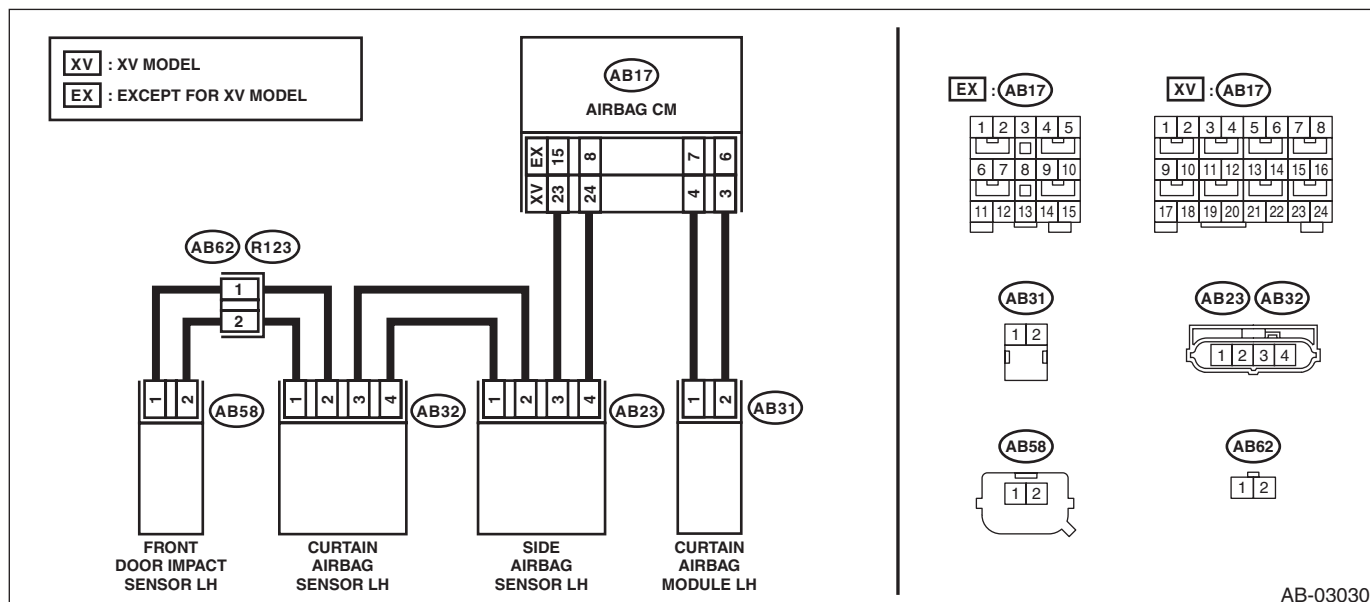
- Curtain airbag harness (LH) circuit is open.
- Curtain airbag module (LH) is faulty.
- Airbag control module is faulty.

CAUTION:

Before performing diagnosis, refer to “CAUTION” in “General Description”. <Ref. to AB(diag)-4, CAUTION, General Description.>

WIRING DIAGRAM:

Airbag system <Ref. to WI-30, WIRING DIAGRAM, Airbag System.>



Step	Check	Yes	No
1 CHECK POOR CONTACT OF CONNECTORS. Check for poor contact of the connectors between the airbag control module, curtain airbag module LH and the curtain airbag sensor LH.	Is there poor contact?	Replace the airbag rear harness along with body harness.	Go to step 2.
2 CHECK CURTAIN AIRBAG MODULE. 1) Turn the ignition switch to OFF, disconnect the battery ground cable, and wait for 60 seconds or more. 2) Disconnect the connector (AB31) from curtain airbag module (LH). 3) Connect the connector (1N) in the test harness N to the connector (AB31). 4) Connect the airbag resistor to the connector (2N) of test harness N. 5) Connect the battery ground terminal and turn the ignition switch to ON.	Does the airbag warning light illuminate for 6 seconds and go off?	Replace the curtain airbag module (LH). <Ref. to AB-74, Curtain Airbag Module.>	Go to step 3.

Diagnostic Chart with Trouble Code

AIRBAG SYSTEM (DIAGNOSTICS)

Step	Check	Yes	No
<p>3 CHECK AIRBAG REAR HARNESS (CURRENT AIRBAG MODULE HARNESS LH).</p> <p>1) Turn the ignition switch to OFF, disconnect the battery ground cable, and wait for 60 seconds or more.</p> <p>2) Disconnect the connector (AB21) from seat belt pretensioner (LH).</p> <p>3) Disconnect connector (AB19) from side airbag module (LH).</p> <p>4) Disconnect the airbag resistor from test harness N.</p> <p>5) Disconnect the connectors (AB6, AB17, AB18) from airbag control module.</p> <p>6) Connect the connector (1AG) in the test harness AG to the connectors (AB6, AB17, AB18).</p> <p>NOTE: Except for XV models, connect test harness AH between the connectors (AB6, AB17, AB18) and (1AG).</p> <p>7) Measure the resistance between connector (5AG) or (6AG) in the test harness AG and connector (2N) in the test harness N.</p> <p>Connector & terminal XV model (6AG) No. 1 — (2N) No. 2: (6AG) No. 3 — (2N) No. 1: Except for XV model (5AG) No. 2 — (2N) No. 2: (5AG) No. 4 — (2N) No. 1:</p>	<p>Is the resistance less than 10 Ω?</p>	<p>Go to step 4.</p>	<p>Replace the airbag rear harness along with body harness.</p>
<p>4 CHECK AIRBAG CONTROL MODULE.</p> <p>1) Connect all connectors.</p> <p>2) Clear the memory.</p> <p>3) Perform the Inspection Mode.</p> <p>4) Read the DTC. (Current malfunction)</p>	<p>Is the same DTC displayed?</p>	<p>Replace the airbag control module. <Ref. to AB-77, Airbag Control Module.></p>	<p>Go to step 5.</p>
<p>5 CHECK FOR ANY OTHER DTC ON DISPLAY.</p>	<p>Is any other DTC displayed?</p>	<p>Check DTC using "List of Diagnostic Trouble Code (DTC)". <Ref. to AB(diag)-34, List of Diagnostic Trouble Code (DTC).></p>	<p>Finish the diagnosis.</p>

Diagnostic Chart with Trouble Code

AIRBAG SYSTEM (DIAGNOSTICS)

DF:DTC B1837 SHORT IN CURTAIN AIRBAG LH SQUIB CIRCUIT (TO GROUND)

DTC DETECTING CONDITION:

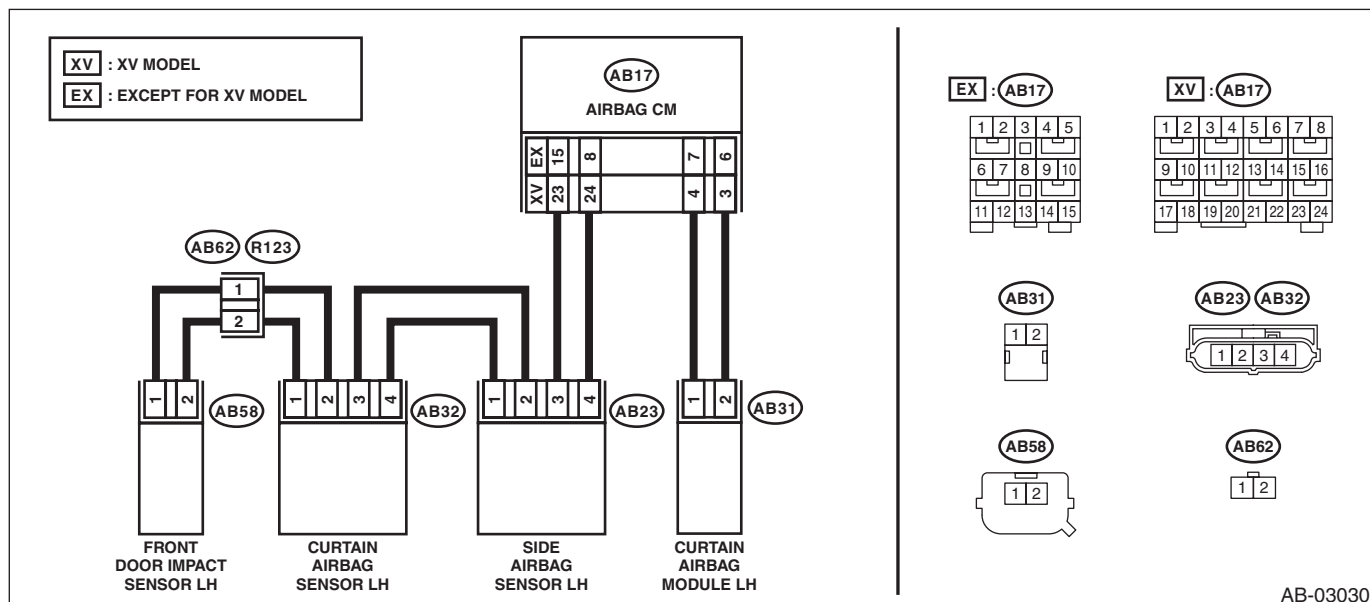
- Curtain airbag harness (LH) circuit is shorted to ground.
- Curtain airbag module (LH) is faulty.
- Airbag control module is faulty.

CAUTION:

Before performing diagnosis, refer to “CAUTION” in “General Description”. <Ref. to AB(diag)-4, CAUTION, General Description.>

WIRING DIAGRAM:

Airbag system <Ref. to WI-30, WIRING DIAGRAM, Airbag System.>



AB-03030

Step	Check	Yes	No
1 CHECK POOR CONTACT OF CONNECTORS. Check for poor contact of the connectors between the airbag control module, curtain airbag module LH and the curtain airbag sensor LH.	Is there poor contact?	Replace the airbag rear harness along with body harness.	Go to step 2.
2 CHECK CURTAIN AIRBAG MODULE. 1) Turn the ignition switch to OFF, disconnect the battery ground cable, and wait for 60 seconds or more. 2) Disconnect the connector (AB31), and connect the connector (1N) in test harness N to connector (AB31). 3) Connect the airbag resistor to the connector (2N) of test harness N. 4) Connect the battery ground terminal and turn the ignition switch to ON.	Does the airbag warning light illuminate for six seconds and go off?	Replace the curtain airbag module (LH). <Ref. to AB-74, Curtain Airbag Module.>	Go to step 3.

Diagnostic Chart with Trouble Code

AIRBAG SYSTEM (DIAGNOSTICS)

Step	Check	Yes	No
3 CHECK AIRBAG REAR HARNESS (CURTAIN AIRBAG MODULE HARNESS LH). 1) Turn the ignition switch to OFF, disconnect the battery ground cable, and wait for 60 seconds or more. 2) Disconnect the connector (AB21) from seat belt pretensioner (LH). 3) Disconnect connector (AB19) from side airbag module (LH). 4) Disconnect the airbag resistor from test harness N. 5) Disconnect the connectors (AB6, AB17, AB18) from airbag control module. 6) Connect the connector (1AG) in the test harness AG to the connectors (AB6, AB17, AB18). NOTE: Except for XV models, connect test harness AH between the connectors (AB6, AB17, AB18) and (1AG). 7) Measure the resistance between connector (2N) in the test harness N and chassis ground. Connector & terminal (2N) No. 1 — Chassis ground: (2N) No. 2 — Chassis ground:	Is the resistance 1 MΩ or more?	Go to step 4.	Replace the airbag rear harness along with body harness.
4 CHECK AIRBAG CONTROL MODULE. 1) Connect all connectors. 2) Clear the memory. 3) Perform the Inspection Mode. 4) Read the DTC. (Current malfunction)	Is the same DTC displayed?	Replace the airbag control module. <Ref. to AB-77, Airbag Control Module.>	Go to step 5.
5 CHECK FOR ANY OTHER DTC ON DISPLAY.	Is any other DTC displayed?	Check DTC using "List of Diagnostic Trouble Code (DTC)". <Ref. to AB(diag)-34, List of Diagnostic Trouble Code (DTC).>	Finish the diagnosis.

Diagnostic Chart with Trouble Code

AIRBAG SYSTEM (DIAGNOSTICS)

DG:DTC B1838 SHORT IN CURTAIN SHIELD AIRBAG LH SQUIB CIRCUIT (TO +B)

DTC DETECTING CONDITION:

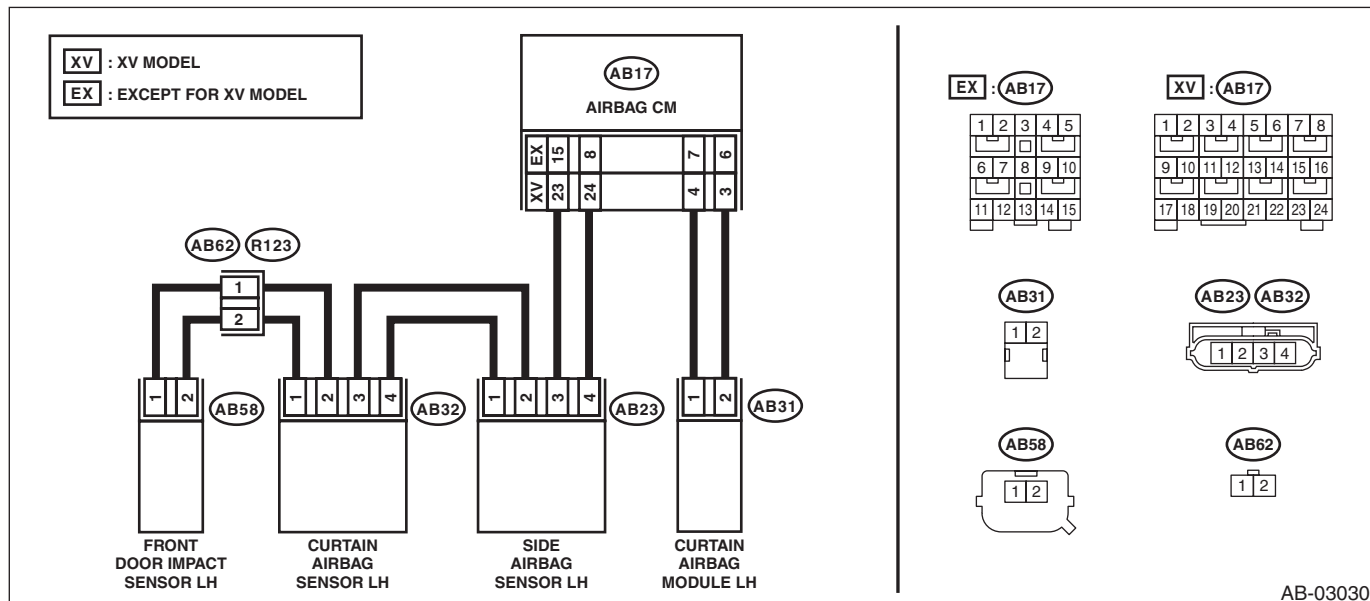
- Curtain airbag harness (LH) is shorted to power supply.
- Curtain airbag module (LH) is faulty.
- Airbag control module is faulty.

CAUTION:

Before performing diagnosis, refer to “CAUTION” in “General Description”. <Ref. to AB(diag)-4, CAUTION, General Description.>

WIRING DIAGRAM:

Airbag system <Ref. to WI-30, WIRING DIAGRAM, Airbag System.>



Step	Check	Yes	No
1 CHECK POOR CONTACT OF CONNECTORS. Check for poor contact of the connectors between the airbag control module, curtain airbag module LH and the curtain airbag sensor LH.	Is there poor contact?	Replace the airbag rear harness along with body harness.	Go to step 2.
2 CHECK CURTAIN AIRBAG MODULE. 1) Turn the ignition switch to OFF, disconnect the battery ground cable, and wait for 60 seconds or more. 2) Disconnect the connector (AB31), and connect the connector (1N) in test harness N to connector (AB31). 3) Connect the airbag resistor to the connector (2N) of test harness N. 4) Connect the battery ground terminal and turn the ignition switch to ON.	Does the airbag warning light illuminate for six seconds and go off?	Replace the curtain airbag module (LH). <Ref. to AB-74, Curtain Airbag Module.>	Go to step 3.

Diagnostic Chart with Trouble Code

AIRBAG SYSTEM (DIAGNOSTICS)

Step	Check	Yes	No
3 CHECK AIRBAG REAR HARNESS (CURTAIN AIRBAG MODULE HARNESS LH). 1) Turn the ignition switch to OFF, disconnect the battery ground cable, and wait for 60 seconds or more. 2) Disconnect the connector (AB21) from seat belt pretensioner (LH). 3) Disconnect connector (AB19) from side airbag module (LH). 4) Disconnect the airbag resistor from test harness N. 5) Disconnect the connectors (AB6, AB17, AB18) from airbag control module. 6) Connect the connector (1AG) in the test harness AG to the connectors (AB6, AB17, AB18). NOTE: Except for XV models, connect test harness AH between the connectors (AB6, AB17, AB18) and (1AG). 7) Connect the battery ground terminal and turn the ignition switch to ON. 8) Measure the voltage between connector (2N) in the test harness N and chassis ground. Connector & terminal <i>(2N) No. 1 (+) — Chassis ground (-):</i> <i>(2N) No. 2 (+) — Chassis ground (-):</i>	Is the voltage less than 1 V?	Go to step 4.	Replace the airbag rear harness along with body harness.
4 CHECK AIRBAG CONTROL MODULE. 1) Connect all connectors. 2) Clear the memory. 3) Perform the Inspection Mode. 4) Read the DTC. (Current malfunction)	Is the same DTC displayed?	Replace the airbag control module. <Ref. to AB-77, Airbag Control Module.>	Go to step 5.
5 CHECK FOR ANY OTHER DTC ON DISPLAY.	Is any other DTC displayed?	Check DTC using "List of Diagnostic Trouble Code (DTC)". <Ref. to AB(diag)-34, List of Diagnostic Trouble Code (DTC).>	Finish the diagnosis.

Diagnostic Chart with Trouble Code

AIRBAG SYSTEM (DIAGNOSTICS)

DH:DTC B1860 SHORT IN DRIVER'S KNEE AIRBAG

DTC DETECTING CONDITION:

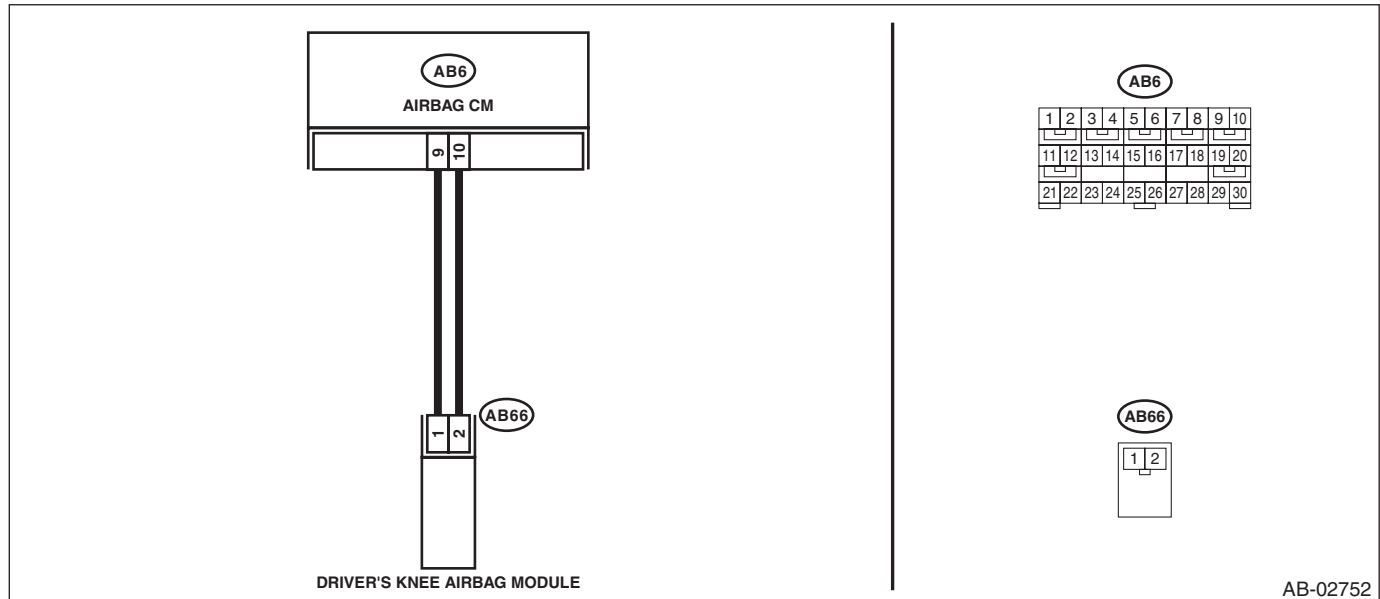
- Airbag main harness circuit is shorted.
- Knee airbag module harness circuit is shorted.
- Knee airbag module is faulty.
- Airbag control module is faulty.

CAUTION:

Before performing diagnosis, refer to “CAUTION” in “General Description”. <Ref. to AB(diag)-4, CAUTION, General Description.>

WIRING DIAGRAM:

Airbag system <Ref. to WI-30, WIRING DIAGRAM, Airbag System.>



Step	Check	Yes	No
1	<p>CHECK POOR CONTACT OF CONNECTORS. Check for poor contact of the connectors between the airbag control module and the knee airbag module.</p>	Is there poor contact?	Replace the airbag harness. Go to step 2.
2	<p>CHECK KNEE AIRBAG MODULE. 1) Turn the ignition switch to OFF, disconnect the battery ground cable, and wait for 60 seconds or more. 2) Disconnect the connector (AB66) from knee airbag module. 3) Connect the connector (1N) in the test harness N to the connector (AB66). 4) Connect the airbag resistor to the connector (2N) of test harness N. 5) Connect the battery ground terminal and turn the ignition switch to ON.</p>	Does the airbag warning light illuminate for six seconds and go off?	Replace the knee airbag module. <Ref. to AB-44, REMOVAL, Knee Airbag Module.> Go to step 3.

Diagnostic Chart with Trouble Code

AIRBAG SYSTEM (DIAGNOSTICS)

Step	Check	Yes	No
3 CHECK AIRBAG MAIN HARNESS (KNEE AIRBAG HARNESS). 1) Turn the ignition switch to OFF, disconnect the battery ground cable, and wait for 60 seconds or more. 2) Disconnect the airbag resistor from test harness N. 3) Remove the instrument panel lower cover and column cover, and disconnect the connector (AB7) from (AB2). 4) Remove the console front panel and disconnect the connector (AB9). 5) Disconnect the connectors (AB6, AB17, AB18) from the airbag control module, and connect the connector (1AG) in the test harness AG to connectors (AB6, AB17, AB18). NOTE: Except for XV models, connect test harness AH between the connectors (AB6, AB17, AB18) and (1AG). 6) Measure the resistance between connector (3AG) terminals in test harness AG. Connector & terminal (3AG) No. 14 — (3AG) No. 16:	Is the resistance 1 M Ω or more?	Go to step 4.	Replace the airbag main harness along with body harness.
4 CHECK AIRBAG CONTROL MODULE. 1) Connect all connectors. 2) Clear the memory. 3) Perform the Inspection Mode. 4) Read the DTC. (Current malfunction)	Is the same DTC displayed?	Replace the airbag control module. <Ref. to AB-77, Airbag Control Module.>	Go to step 5.
5 CHECK FOR ANY OTHER DTC ON DISPLAY.	Is any other DTC displayed?	Check DTC using "List of Diagnostic Trouble Code (DTC)". <Ref. to AB(diag)-34, List of Diagnostic Trouble Code (DTC).>	Finish the diagnosis.

Diagnostic Chart with Trouble Code

AIRBAG SYSTEM (DIAGNOSTICS)

DI: DTC B1861 OPEN IN DRIVER'S KNEE AIRBAG

DTC DETECTING CONDITION:

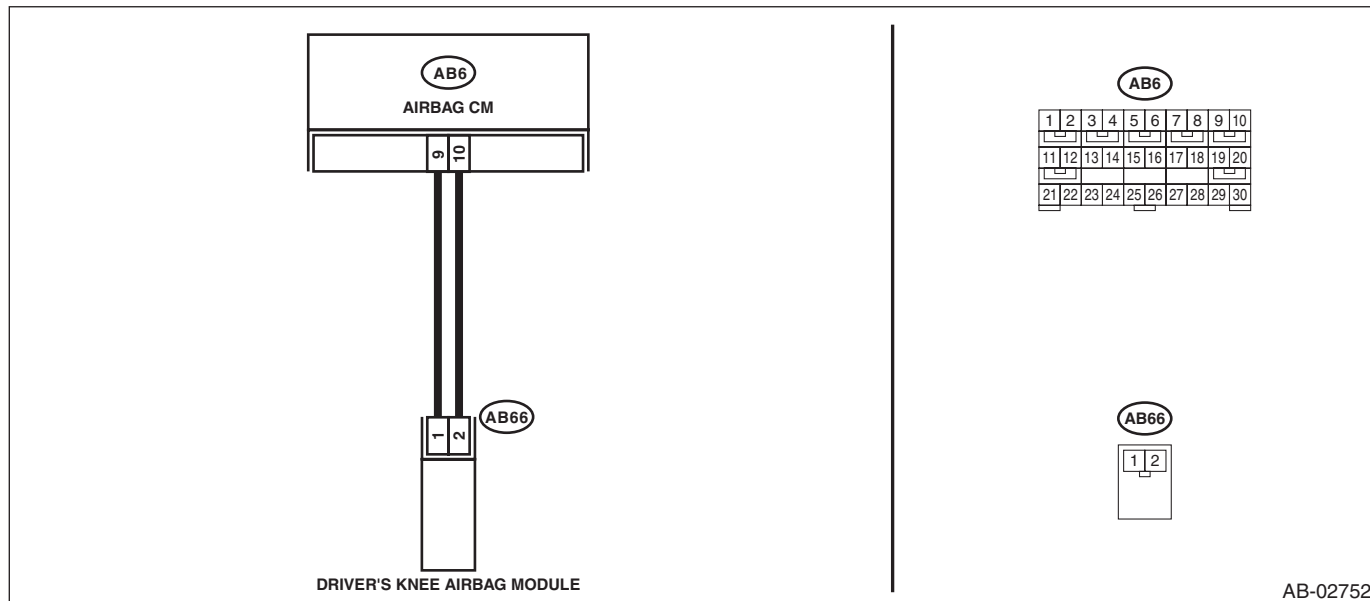
- Airbag main harness circuit is open.
- Knee airbag module harness circuit is open.
- Knee airbag module is faulty.
- Airbag control module is faulty.

CAUTION:

Before performing diagnosis, refer to “CAUTION” in “General Description”. <Ref. to AB(diag)-4, CAUTION, General Description.>

WIRING DIAGRAM:

Airbag system <Ref. to WI-30, WIRING DIAGRAM, Airbag System.>



Step	Check	Yes	No
1 CHECK POOR CONTACT OF CONNECTORS. Check for poor contact of the connectors between the airbag control module and the knee airbag module.	Is there poor contact?	Replace the airbag harness.	Go to step 2.
2 CHECK KNEE AIRBAG MODULE. 1) Turn the ignition switch to OFF, disconnect the battery ground cable, and wait for 60 seconds or more. 2) Disconnect the connector (AB66) from knee airbag module. 3) Connect the connector (1N) in the test harness N to the connector (AB66). 4) Connect the airbag resistor to the connector (2N) of test harness N. 5) Connect the battery ground terminal and turn the ignition switch to ON.	Does the airbag warning light illuminate for six seconds and go off?	Replace the knee airbag module. <Ref. to AB-44, REMOVAL, Knee Airbag Module.>	Go to step 3.

Diagnostic Chart with Trouble Code

AIRBAG SYSTEM (DIAGNOSTICS)

Step	Check	Yes	No
3 CHECK AIRBAG MAIN HARNESS (KNEE AIRBAG HARNESS). 1) Turn the ignition switch to OFF, disconnect the battery ground cable, and wait for 60 seconds or more. 2) Disconnect the airbag resistor from test harness N. 3) Remove the instrument panel lower cover and column cover, and disconnect the connector (AB7) from (AB2). 4) Remove the console front panel and disconnect the connector (AB9). 5) Disconnect the connectors (AB6, AB17, AB18) from the airbag control module, and connect the connector (1AG) in the test harness AG to connectors (AB6, AB17, AB18). NOTE: Except for XV models, connect test harness AH between the connectors (AB6, AB17, AB18) and (1AG). 6) Measure the resistance between connector (3AG) in the test harness AG and connector (2N) in the test harness N. Connector & terminal (3AG) No. 14 — (2N) No. 2: (3AG) No. 16 — (2N) No. 1:	Is the resistance less than 10 Ω ?	Go to step 4.	Replace the airbag main harness along with body harness.
4 CHECK AIRBAG CONTROL MODULE. 1) Connect all connectors. 2) Clear the memory. 3) Perform the Inspection Mode. 4) Read the DTC. (Current malfunction)	Is the same DTC displayed?	Replace the airbag control module. <Ref. to AB-77, Airbag Control Module.>	Go to step 5.
5 CHECK FOR ANY OTHER DTC ON DISPLAY.	Is any other DTC displayed?	Check DTC using "List of Diagnostic Trouble Code (DTC)". <Ref. to AB(diag)-34, List of Diagnostic Trouble Code (DTC).>	Finish the diagnosis.

Diagnostic Chart with Trouble Code

AIRBAG SYSTEM (DIAGNOSTICS)

DJ:DTC B1862 SHORT IN DRIVER'S KNEE AIRBAG (TO GROUND)

DTC DETECTING CONDITION:

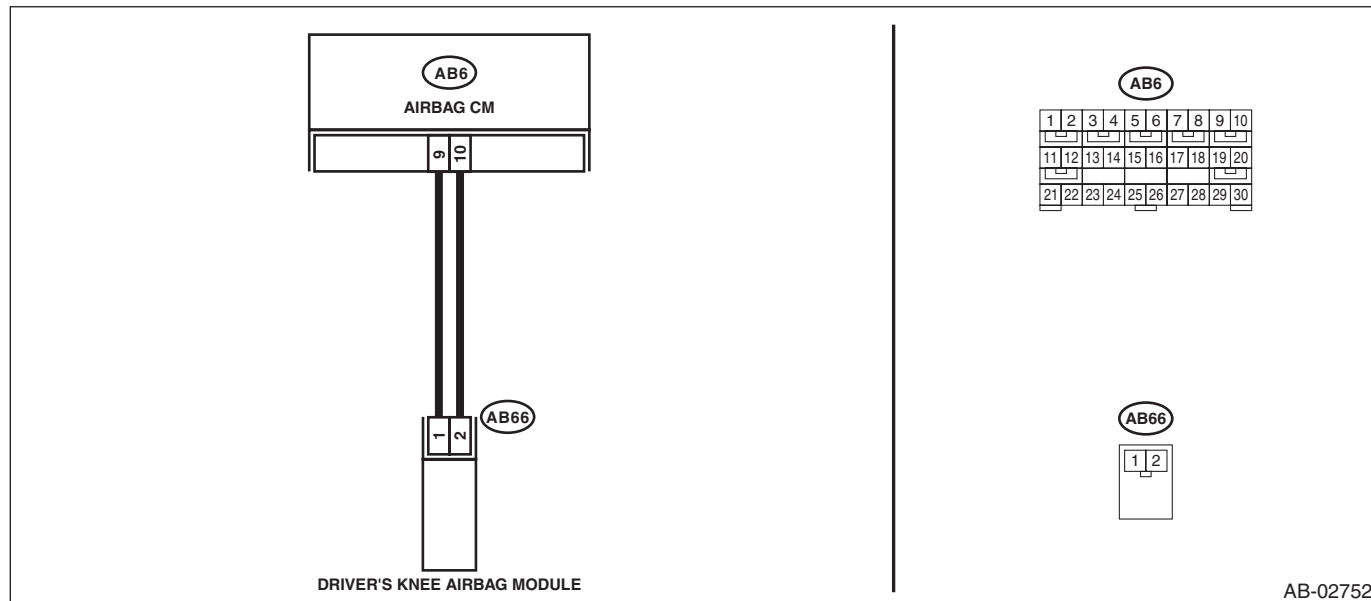
- Airbag main harness circuit is shorted to ground.
- Knee airbag module harness circuit is shorted to ground.
- Knee airbag module is faulty.
- Airbag control module is faulty.

CAUTION:

Before performing diagnosis, refer to "CAUTION" in "General Description". <Ref. to AB(diag)-4, CAUTION, General Description.>

WIRING DIAGRAM:

Airbag system <Ref. to WI-30, WIRING DIAGRAM, Airbag System.>



Step	Check	Yes	No
1	<p>CHECK POOR CONTACT OF CONNECTORS. Check for poor contact of the connectors between the airbag control module and the knee airbag module.</p>	Is there poor contact?	Replace the airbag harness. Go to step 2.
2	<p>CHECK KNEE AIRBAG MODULE. 1) Turn the ignition switch to OFF, disconnect the battery ground cable, and wait for 60 seconds or more. 2) Disconnect the connector (AB66) from knee airbag module. 3) Connect the connector (1N) in the test harness N to the connector (AB66). 4) Connect the airbag resistor to the connector (2N) of test harness N. 5) Connect the battery ground terminal and turn the ignition switch to ON.</p>	Does the airbag warning light illuminate for six seconds and go off?	Replace the knee airbag module. <Ref. to AB-44, REMOVAL, Knee Airbag Module.> Go to step 3.

Diagnostic Chart with Trouble Code

AIRBAG SYSTEM (DIAGNOSTICS)

Step	Check	Yes	No
3 CHECK AIRBAG MAIN HARNESS (KNEE AIRBAG HARNESS). 1) Turn the ignition switch to OFF, disconnect the battery ground cable, and wait for 60 seconds or more. 2) Disconnect the airbag resistor from test harness N. 3) Remove the instrument panel lower cover and column cover, and disconnect the connector (AB7) from (AB2). 4) Remove the console front panel and disconnect the connector (AB9). 5) Disconnect the connectors (AB6, AB17, AB18) from the airbag control module, and connect the connector (1AG) in the test harness AG to connectors (AB6, AB17, AB18). NOTE: Except for XV models, connect test harness AH between the connectors (AB6, AB17, AB18) and (1AG). 6) Measure the resistance between connector (3AG) in the test harness AG and chassis ground. Connector & terminal (3AG) No. 14 — Chassis ground: (3AG) No. 16 — Chassis ground:	Is the resistance 1 MΩ or more?	Go to step 4.	Replace the airbag main harness along with body harness.
4 CHECK AIRBAG CONTROL MODULE. 1) Connect all connectors. 2) Clear the memory. 3) Perform the Inspection Mode. 4) Read the DTC. (Current malfunction)	Is the same DTC displayed?	Replace the airbag control module. <Ref. to AB-77, Airbag Control Module.>	Go to step 5.
5 CHECK FOR ANY OTHER DTC ON DISPLAY.	Is any other DTC displayed?	Check DTC using "List of Diagnostic Trouble Code (DTC)". <Ref. to AB(diag)-34, List of Diagnostic Trouble Code (DTC).>	Finish the diagnosis.

Diagnostic Chart with Trouble Code

AIRBAG SYSTEM (DIAGNOSTICS)

DK:DTC B1863 SHORT IN DRIVER'S KNEE AIRBAG (TO +B)

DTC DETECTING CONDITION:

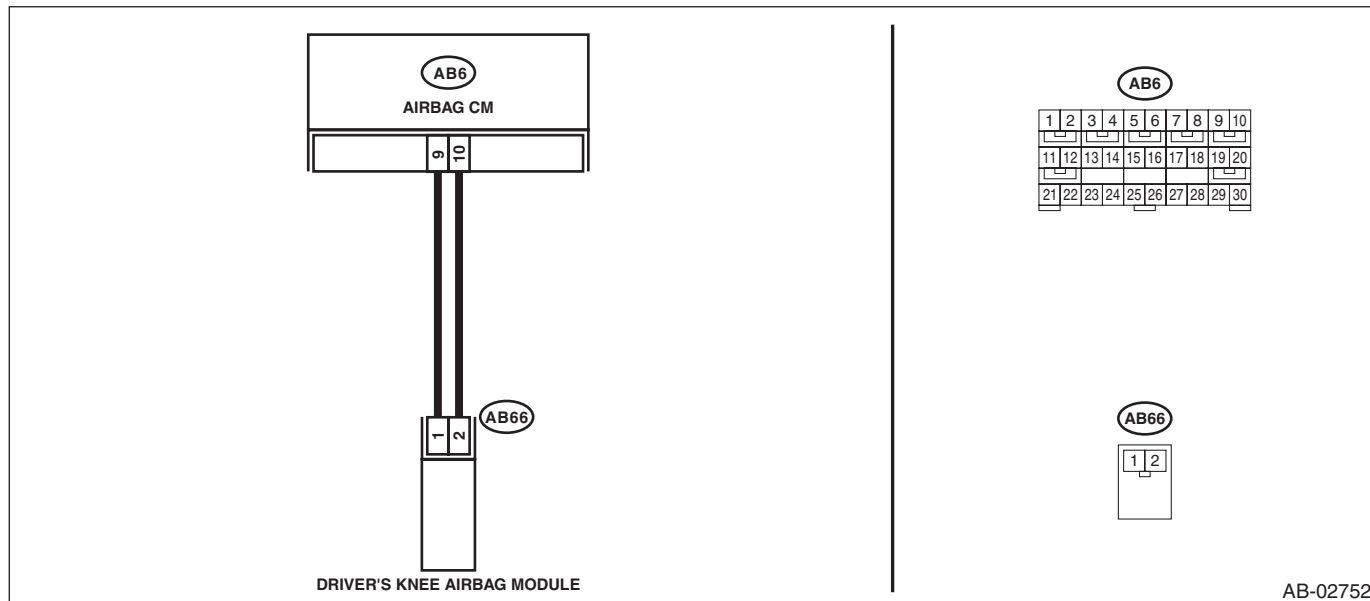
- Airbag main harness circuit is shorted to power supply.
- Knee airbag module harness circuit is shorted to power supply.
- Knee airbag module is faulty.
- Airbag control module is faulty.

CAUTION:

Before performing diagnosis, refer to “CAUTION” in “General Description”. <Ref. to AB(diag)-4, CAUTION, General Description.>

WIRING DIAGRAM:

Airbag system <Ref. to WI-30, WIRING DIAGRAM, Airbag System.>



Step	Check	Yes	No
1	<p>CHECK POOR CONTACT OF CONNECTORS. Check for poor contact of the connectors between the airbag control module and the knee airbag module.</p>	Replace the airbag harness.	Go to step 2.
2	<p>CHECK KNEE AIRBAG MODULE. 1) Turn the ignition switch to OFF, disconnect the battery ground cable, and wait for 60 seconds or more. 2) Disconnect the connector (AB66) from knee airbag module. 3) Connect the connector (1N) in the test harness N to the connector (AB66). 4) Connect the airbag resistor to the connector (2N) of test harness N. 5) Connect the battery ground terminal and turn the ignition switch to ON.</p>	Replace the knee airbag module. <Ref. to AB-44, REMOVAL, Knee Airbag Module.>	Go to step 3.

Diagnostic Chart with Trouble Code

AIRBAG SYSTEM (DIAGNOSTICS)

Step	Check	Yes	No
3 CHECK AIRBAG MAIN HARNESS (KNEE AIRBAG HARNESS). 1) Turn the ignition switch to OFF, disconnect the battery ground cable, and wait for 60 seconds or more. 2) Disconnect the airbag resistor from test harness N. 3) Remove the instrument panel lower cover and column cover, and disconnect the connector (AB7) from (AB2). 4) Remove the console front panel and disconnect the connector (AB9). 5) Disconnect the connectors (AB6, AB17, AB18) from the airbag control module, and connect the connector (1AG) in the test harness AG. NOTE: Except for XV models, connect test harness AH between the connectors (AB6, AB17, AB18) and (1AG). 6) Connect the battery ground terminal and turn the ignition switch to ON. 7) Measure the voltage between connector (3AG) in the test harness AG and chassis ground. Connector & terminal (3AG) No. 14 (+) — Chassis ground (-): (3AG) No. 16 (+) — Chassis ground (-):	Is the voltage less than 1 V?	Go to step 4.	Replace the airbag main harness along with body harness.
4 CHECK AIRBAG CONTROL MODULE. 1) Connect all connectors. 2) Clear the memory. 3) Perform the Inspection Mode. 4) Read the DTC. (Current malfunction)	Is the same DTC displayed?	Replace the airbag control module. <Ref. to AB-77, Airbag Control Module.>	Go to step 5.
5 CHECK FOR ANY OTHER DTC ON DISPLAY.	Is any other DTC displayed?	Check DTC using "List of Diagnostic Trouble Code (DTC)". <Ref. to AB(diag)-34, List of Diagnostic Trouble Code (DTC).>	Finish the diagnosis.

Diagnostic Chart with Trouble Code

AIRBAG SYSTEM (DIAGNOSTICS)

DL:DTC B1900 SHORT IN FRONT P/T RH

DTC DETECTING CONDITION:

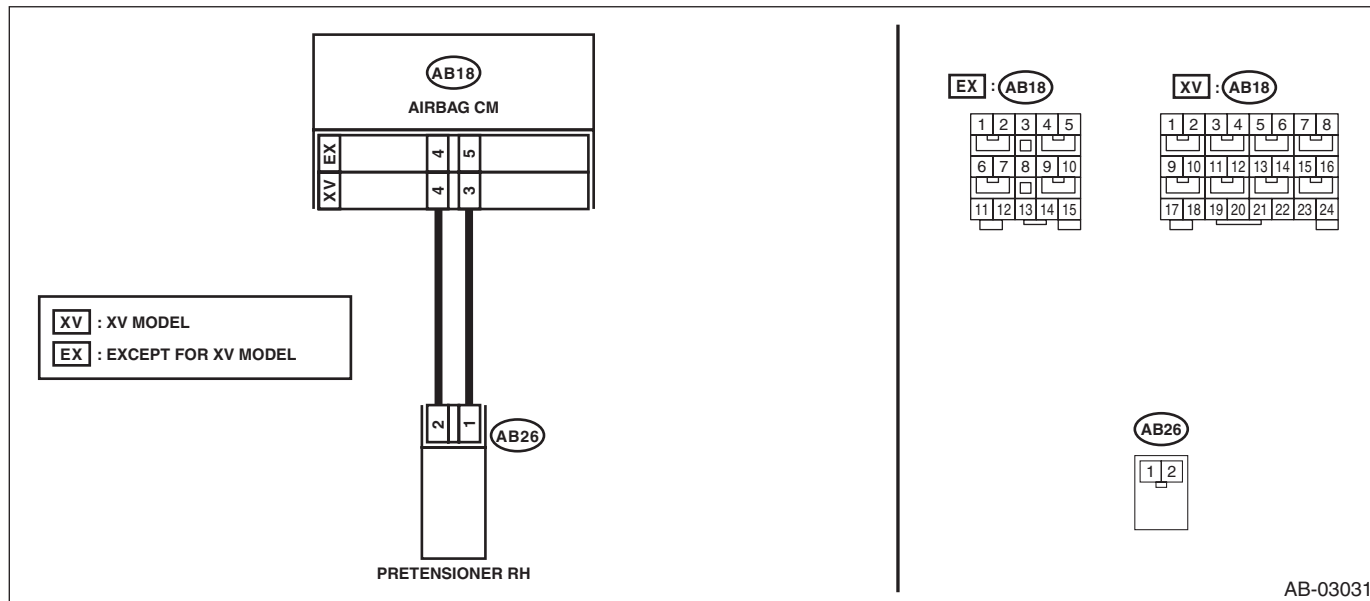
- Seat belt pretensioner (RH) circuit is shorted.
- Pretensioner (RH) is faulty.
- Pretensioner harness (RH) is faulty.
- Airbag control module is faulty.

CAUTION:

Before performing diagnosis, refer to “CAUTION” in “General Description”. <Ref. to AB(diag)-4, CAUTION, General Description.>

WIRING DIAGRAM:

Airbag system <Ref. to WI-30, WIRING DIAGRAM, Airbag System.>



AB-03031

Step	Check	Yes	No
1 CHECK POOR CONTACT OF CONNECTORS. Check for poor contact of the connectors between the airbag control module and the seat belt pretensioner RH.	Is there poor contact?	Replace the airbag rear harness along with body harness.	Go to step 2.
2 CHECK SEAT BELT PRETENSIONER. 1) Turn the ignition switch to OFF, disconnect the battery ground cable, and wait for 60 seconds or more. 2) Disconnect the connector (AB26) from seat belt pretensioner (RH). 3) Connect the connector (1N) in the test harness N to the connector (AB26). 4) Connect the airbag resistor to the connector (2N) of test harness N. 5) Connect the battery ground terminal and turn the ignition switch to ON.	Does the airbag warning light illuminate for 6 seconds and go off?	Replace the seat belt pretensioner (RH). <Ref. to SB-16, Front Seat Belt.>	Go to step 3.

Diagnostic Chart with Trouble Code

AIRBAG SYSTEM (DIAGNOSTICS)

Step	Check	Yes	No
3 CHECK AIRBAG REAR HARNESS (PRE-TENSIONER HARNESS RH). 1) Turn the ignition switch to OFF, disconnect the battery ground cable, and wait for 60 seconds or more. 2) Disconnect the airbag resistor from test harness N. 3) Disconnect connector (AB24) from side airbag module (RH). 4) Disconnect the connector (AB33) from curtain airbag module (RH). 5) Disconnect the connectors (AB6, AB17, AB18) from airbag control module. 6) Connect the connector (1AG) in the test harness AG to the connectors (AB6, AB17, AB18). NOTE: Except for XV models, connect test harness AH between the connectors (AB6, AB17, AB18) and (1AG). 7) Measure the resistance between connector (3AG) terminals in test harness AG. Connector & terminal (3AG) No. 18 — (3AG) No. 20:	Is the resistance 1 MΩ or more?	Go to step 4.	Replace the airbag rear harness along with body harness.
4 CHECK AIRBAG CONTROL MODULE. 1) Connect all connectors. 2) Clear the memory. 3) Perform the Inspection Mode. 4) Read the DTC. (Current malfunction)	Is the same DTC displayed?	Replace the airbag control module. <Ref. to AB-77, Airbag Control Module.>	Go to step 5.
5 CHECK FOR ANY OTHER DTC ON DISPLAY.	Is any other DTC displayed?	Check DTC using "List of Diagnostic Trouble Code (DTC)". <Ref. to AB(diag)-34, List of Diagnostic Trouble Code (DTC).>	Finish the diagnosis.

Diagnostic Chart with Trouble Code

AIRBAG SYSTEM (DIAGNOSTICS)

DM:DTC B1901 OPEN IN FRONT P/T RH

DTC DETECTING CONDITION:

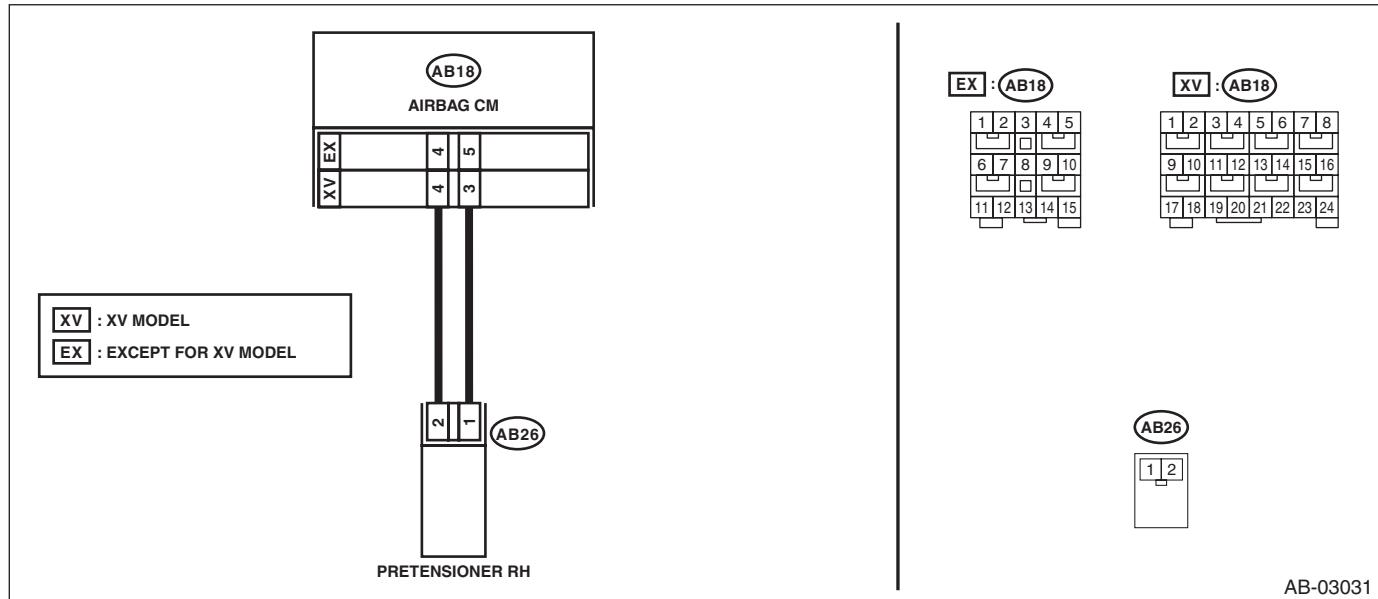
- Seat belt pretensioner (RH) circuit is open.
- Pretensioner (RH) is faulty.
- Pretensioner harness (RH) is faulty.
- Airbag control module is faulty.

CAUTION:

Before performing diagnosis, refer to “CAUTION” in “General Description”. <Ref. to AB(diag)-4, CAUTION, General Description.>

WIRING DIAGRAM:

Airbag system <Ref. to WI-30, WIRING DIAGRAM, Airbag System.>



AB-03031

Step	Check	Yes	No
1 CHECK POOR CONTACT OF CONNECTORS. Check for poor contact of the connectors between the airbag control module and the seat belt pretensioner RH.	Is there poor contact?	Replace the airbag rear harness along with body harness.	Go to step 2.
2 CHECK SEAT BELT PRETENSIONER. 1) Turn the ignition switch to OFF, disconnect the battery ground cable, and wait for 60 seconds or more. 2) Disconnect the connector (AB26) from seat belt pretensioner (RH). 3) Connect the connector (1N) in the test harness N to the connector (AB26). 4) Connect the airbag resistor to the connector (2N) of test harness N. 5) Connect the battery ground terminal and turn the ignition switch to ON.	Does the airbag warning light illuminate for 6 seconds and go off?	Replace the seat belt pretensioner (RH). <Ref. to SB-16, Front Seat Belt.>	Go to step 3.

Diagnostic Chart with Trouble Code

AIRBAG SYSTEM (DIAGNOSTICS)

Step	Check	Yes	No
3 CHECK AIRBAG REAR HARNESS (PRE-TENSIONER HARNESS RH). 1) Turn the ignition switch to OFF, disconnect the battery ground cable, and wait for 60 seconds or more. 2) Disconnect the airbag resistor from the connector (2N) of test harness N. 3) Disconnect connector (AB24) from side airbag module (RH). 4) Disconnect the connector (AB33) from curtain airbag module (RH). 5) Disconnect the connectors (AB6, AB17, AB18) from airbag control module. 6) Connect the connector (1AG) in the test harness AG to the connectors (AB6, AB17, AB18). NOTE: Except for XV models, connect test harness AH between the connectors (AB6, AB17, AB18) and (1AG). 7) Measure the resistance between connector (3AG) in the test harness AG and connector (2N) in the test harness N. Connector & terminal (3AG) No. 18 — (2N) No. 2: (3AG) No. 20 — (2N) No. 1:	Is the resistance less than 10 Ω ?	Go to step 4.	Replace the airbag rear harness along with body harness.
4 CHECK AIRBAG CONTROL MODULE. 1) Connect all connectors. 2) Clear the memory. 3) Perform the Inspection Mode. 4) Read the DTC. (Current malfunction)	Is the same DTC displayed?	Replace the airbag control module. <Ref. to AB-77, Airbag Control Module.>	Go to step 5.
5 CHECK FOR ANY OTHER DTC ON DISPLAY.	Is any other DTC displayed?	Check DTC using "List of Diagnostic Trouble Code (DTC)". <Ref. to AB(diag)-34, List of Diagnostic Trouble Code (DTC).>	Finish the diagnosis.

Diagnostic Chart with Trouble Code

AIRBAG SYSTEM (DIAGNOSTICS)

DN:DTC B1902 SHORT IN FRONT P/T RH (TO GROUND)

DTC DETECTING CONDITION:

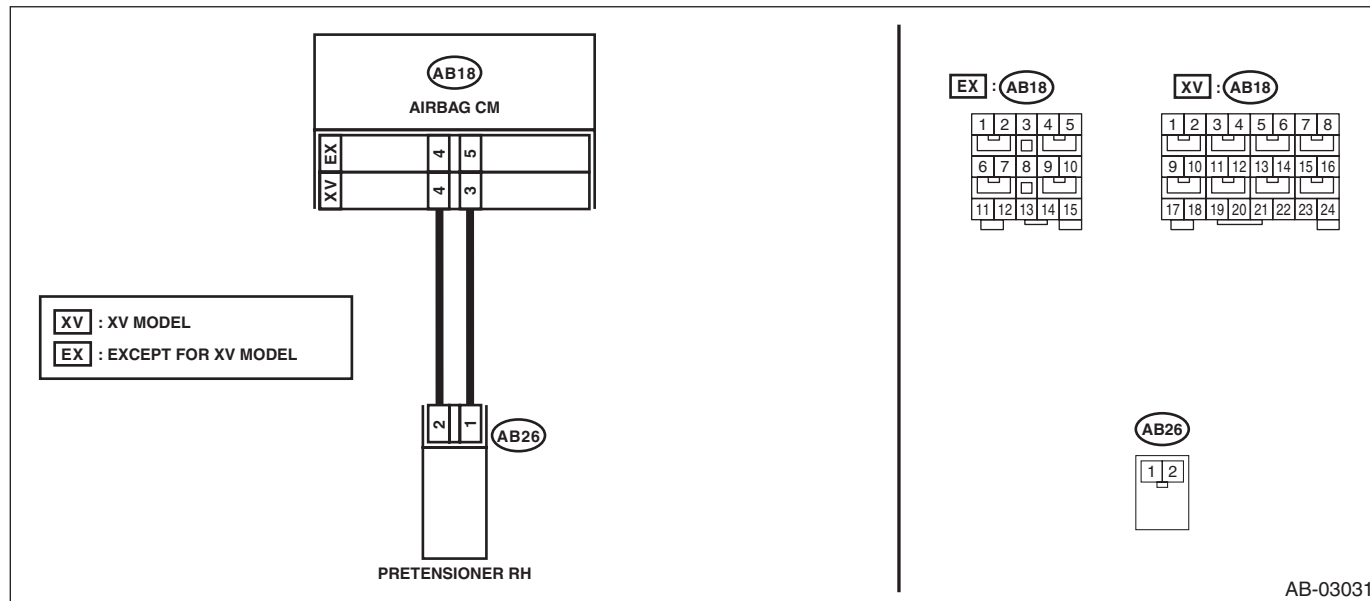
- Seat belt pretensioner (RH) circuit is shorted to ground.
- Pretensioner (RH) is faulty.
- Pretensioner harness (RH) is faulty.
- Airbag control module is faulty.

CAUTION:

Before performing diagnosis, refer to “CAUTION” in “General Description”. <Ref. to AB(diag)-4, CAUTION, General Description.>

WIRING DIAGRAM:

Airbag system <Ref. to WI-30, WIRING DIAGRAM, Airbag System.>



AB-03031

Step	Check	Yes	No
1 CHECK POOR CONTACT OF CONNECTORS. Check for poor contact of the connectors between the airbag control module and the seat belt pretensioner RH.	Is there poor contact?	Replace the airbag rear harness along with body harness.	Go to step 2.
2 CHECK SEAT BELT PRETENSIONER. 1) Turn the ignition switch to OFF, disconnect the battery ground cable, and wait for 60 seconds or more. 2) Disconnect the connector (AB26) from seat belt pretensioner (RH). 3) Connect the connector (1N) in the test harness N to the connector (AB26). 4) Connect the airbag resistor to the connector (2N) of test harness N. 5) Connect the battery ground terminal and turn the ignition switch to ON.	Does the airbag warning light illuminate for six seconds and go off?	Replace the seat belt pretensioner (RH). <Ref. to SB-16, Front Seat Belt.>	Go to step 3.

Diagnostic Chart with Trouble Code

AIRBAG SYSTEM (DIAGNOSTICS)

Step	Check	Yes	No
3 CHECK AIRBAG REAR HARNESS (PRE-TENSIONER HARNESS RH). 1) Turn the ignition switch to OFF, disconnect the battery ground cable, and wait for 60 seconds or more. 2) Disconnect the airbag resistor from the connector (2N) of test harness N. 3) Disconnect connector (AB24) from side airbag module (RH). 4) Disconnect the connector (AB33) from curtain airbag module (RH). 5) Disconnect the connectors (AB6, AB17, AB18) from airbag control module. 6) Connect the connector (1AG) in the test harness AG to the connectors (AB6, AB17, AB18). NOTE: Except for XV models, connect test harness AH between the connectors (AB6, AB17, AB18) and (1AG). 7) Measure the resistance between connector (3AG) in the test harness AG and chassis ground. <i>Connector & terminal</i> <i>(3AG) No. 18 — Chassis ground:</i> <i>(3AG) No. 20 — Chassis ground:</i>	Is the resistance 1 MΩ or more?	Go to step 4.	Replace the airbag rear harness along with body harness.
4 CHECK AIRBAG CONTROL MODULE. 1) Connect all connectors. 2) Clear the memory. 3) Perform the Inspection Mode. 4) Read the DTC. (Current malfunction)	Is the same DTC displayed?	Replace the airbag control module. <Ref. to AB-77, Airbag Control Module.>	Go to step 5.
5 CHECK FOR ANY OTHER DTC ON DISPLAY.	Is any other DTC displayed?	Check DTC using "List of Diagnostic Trouble Code (DTC)". <Ref. to AB(diag)-34, List of Diagnostic Trouble Code (DTC).>	Finish the diagnosis.

Diagnostic Chart with Trouble Code

AIRBAG SYSTEM (DIAGNOSTICS)

DO:DTC B1903 SHORT IN FRONT P/T RH (TO +B)

DTC DETECTING CONDITION:

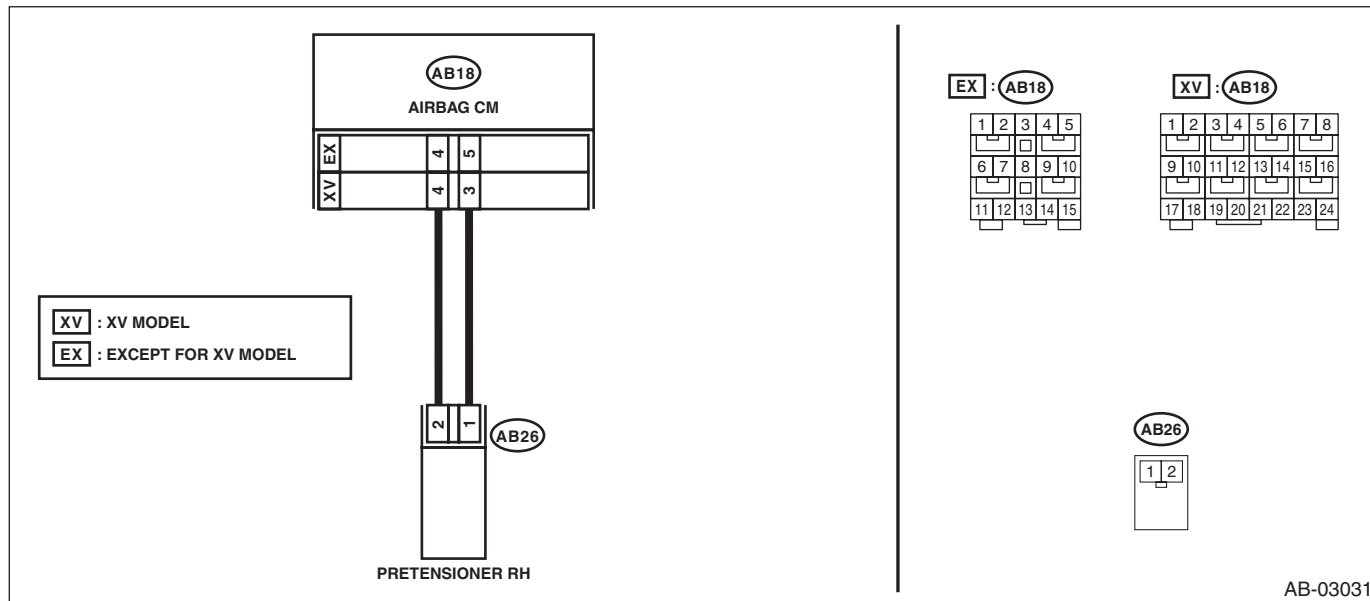
- Seat belt pretensioner (RH) circuit is shorted to power supply.
- Pretensioner (RH) is faulty.
- Pretensioner harness (RH) is faulty.
- Airbag control module is faulty.

CAUTION:

Before performing diagnosis, refer to “CAUTION” in “General Description”. <Ref. to AB(diag)-4, CAUTION, General Description.>

WIRING DIAGRAM:

Airbag system <Ref. to WI-30, WIRING DIAGRAM, Airbag System.>



AB-03031

Step	Check	Yes	No
1 CHECK POOR CONTACT OF CONNECTORS. Check for poor contact of the connectors between the airbag control module and the seat belt pretensioner RH.	Is there poor contact?	Replace the airbag rear harness along with body harness.	Go to step 2.
2 CHECK SEAT BELT PRETENSIONER. 1) Turn the ignition switch to OFF, disconnect the battery ground cable, and wait for 60 seconds or more. 2) Disconnect the connector (AB26) from seat belt pretensioner (RH). 3) Connect the connector (1N) in the test harness N to the connector (AB26). 4) Connect the airbag resistor to the connector (2N) of test harness N. 5) Connect the battery ground terminal and turn the ignition switch to ON.	Does the airbag warning light illuminate for six seconds and go off?	Replace the seat belt pretensioner (RH). <Ref. to SB-16, Front Seat Belt.>	Go to step 3.

Diagnostic Chart with Trouble Code

AIRBAG SYSTEM (DIAGNOSTICS)

Step	Check	Yes	No
3 CHECK AIRBAG REAR HARNESS (PRE-TENSIONER HARNESS RH). 1) Turn the ignition switch to OFF, disconnect the battery ground cable, and wait for 60 seconds or more. 2) Disconnect the airbag resistor from the connector (2N) of test harness N. 3) Disconnect connector (AB24) from side airbag module (RH). 4) Disconnect the connector (AB33) from curtain airbag module (RH). 5) Disconnect the connectors (AB6, AB17, AB18) from airbag control module. 6) Connect the connector (1AG) in the test harness AG to the connectors (AB6, AB17, AB18). NOTE: Except for XV models, connect test harness AH between the connectors (AB6, AB17, AB18) and (1AG). 7) Connect the battery ground terminal and turn the ignition switch to ON. 8) Measure the voltage between connector (3AG) in the test harness AG and chassis ground. Connector & terminal (3AG) No. 20 (+) — Chassis ground (-): (3AG) No. 18 (+) — Chassis ground (-):	Is the voltage less than 1 V?	Go to step 4.	Replace the airbag rear harness along with body harness.
4 CHECK AIRBAG CONTROL MODULE. 1) Connect all connectors. 2) Clear the memory. 3) Perform the Inspection Mode. 4) Read the DTC. (Current malfunction)	Is the same DTC displayed?	Replace the airbag control module. <Ref. to AB-77, Airbag Control Module.>	Go to step 5.
5 CHECK FOR ANY OTHER DTC ON DISPLAY.	Is any other DTC displayed?	Check DTC using "List of Diagnostic Trouble Code (DTC)". <Ref. to AB(diag)-34, List of Diagnostic Trouble Code (DTC).>	Finish the diagnosis.

Diagnostic Chart with Trouble Code

AIRBAG SYSTEM (DIAGNOSTICS)

DP:DTC B1905 SHORT IN FRONT P/T LH

DTC DETECTING CONDITION:

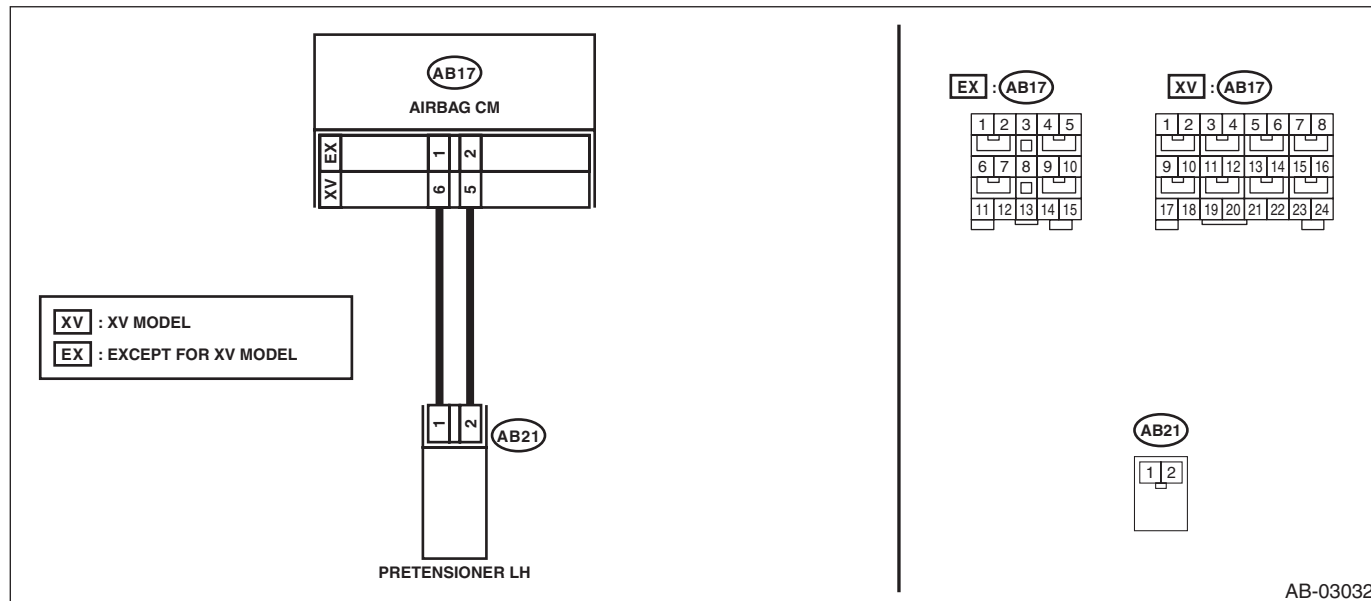
- Seat belt pretensioner (LH) circuit is shorted.
- Pretensioner (LH) is faulty.
- Pretensioner harness (LH) is faulty.
- Airbag control module is faulty.

CAUTION:

Before performing diagnosis, refer to “CAUTION” in “General Description”. <Ref. to AB(diag)-4, CAUTION, General Description.>

WIRING DIAGRAM:

Airbag system <Ref. to WI-30, WIRING DIAGRAM, Airbag System.>



AB-03032

Step	Check	Yes	No
1 CHECK POOR CONTACT OF CONNECTORS. Check for poor contact of the connectors between the airbag control module and the seat belt pretensioner LH.	Is there poor contact?	Replace the airbag rear harness along with body harness.	Go to step 2.
2 CHECK SEAT BELT PRETENSIONER. 1) Turn the ignition switch to OFF, disconnect the battery ground cable, and wait for 60 seconds or more. 2) Disconnect the connector (AB21) from seat belt pretensioner (LH). 3) Connect the connector (1N) in the test harness N to the connector (AB21). 4) Connect the airbag resistor to the connector (2N) of test harness N. 5) Connect the battery ground terminal and turn the ignition switch to ON.	Does the airbag warning light illuminate for 6 seconds and go off?	Replace the seat belt pretensioner (LH). <Ref. to SB-16, Front Seat Belt.>	Go to step 3.

Diagnostic Chart with Trouble Code

AIRBAG SYSTEM (DIAGNOSTICS)

Step	Check	Yes	No
3 CHECK AIRBAG REAR HARNESS (PRE-TENSIONER HARNESS LH). 1) Turn the ignition switch to OFF, disconnect the battery ground cable, and wait for 60 seconds or more. 2) Disconnect the airbag resistor from the connector (2N) of test harness N. 3) Disconnect connector (AB19) from side airbag module (LH). 4) Disconnect the connector (AB31) from curtain airbag module (LH). 5) Disconnect the connectors (AB6, AB17, AB18) from airbag control module. 6) Connect the connector (1AG) in the test harness AG to the connectors (AB6, AB17, AB18). NOTE: Except for XV models, connect test harness AH between the connectors (AB6, AB17, AB18) and (1AG). 7) Measure the resistance between connector (3AG) terminals in test harness AG. Connector & terminal (3AG) No. 10 — (3AG) No. 12:	Is the resistance 1 MΩ or more?	Go to step 4.	Replace the airbag rear harness along with body harness.
4 CHECK AIRBAG CONTROL MODULE. 1) Connect all connectors. 2) Clear the memory. 3) Perform the Inspection Mode. 4) Read the DTC. (Current malfunction)	Is the same DTC displayed?	Replace the airbag control module. <Ref. to AB-77, Airbag Control Module.>	Go to step 5.
5 CHECK FOR ANY OTHER DTC ON DISPLAY.	Is any other DTC displayed?	Check DTC using "List of Diagnostic Trouble Code (DTC)". <Ref. to AB(diag)-34, List of Diagnostic Trouble Code (DTC).>	Finish the diagnosis.

Diagnostic Chart with Trouble Code

AIRBAG SYSTEM (DIAGNOSTICS)

DQ:DTC B1906 OPEN IN FRONT P/T LH

DTC DETECTING CONDITION:

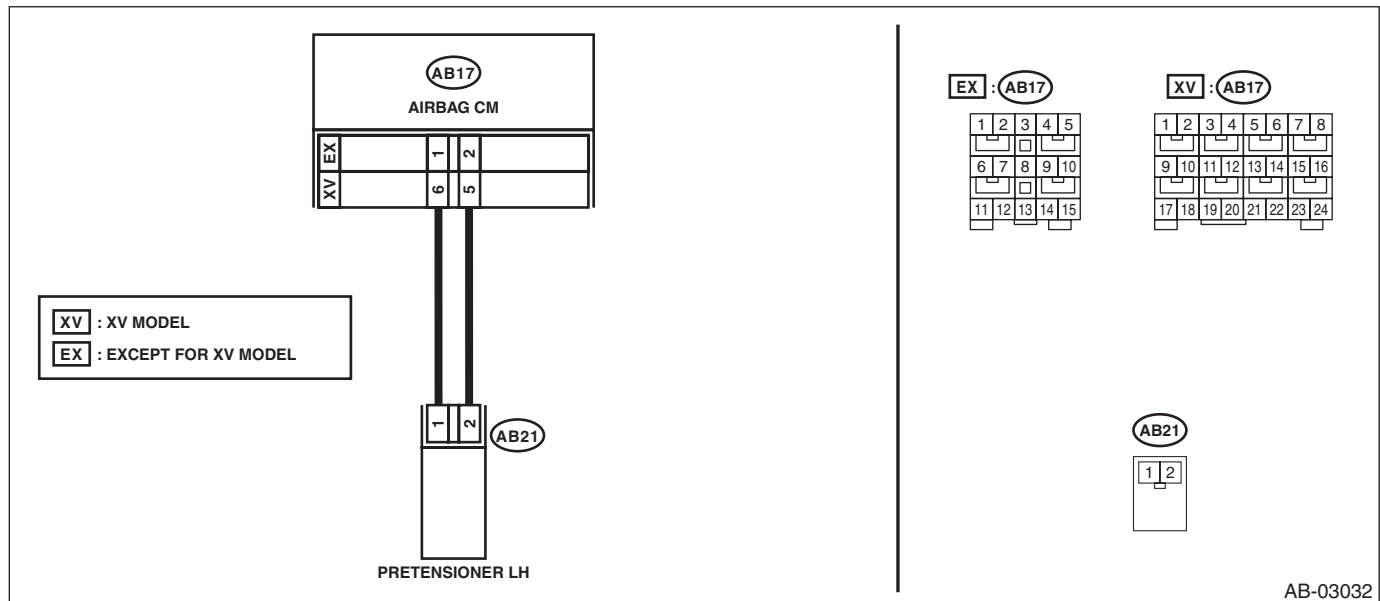
- Seat belt pretensioner (LH) circuit is open.
- Pretensioner (LH) is faulty.
- Pretensioner harness (LH) is faulty.
- Airbag control module is faulty.

CAUTION:

Before performing diagnosis, refer to “CAUTION” in “General Description”. <Ref. to AB(diag)-4, CAUTION, General Description.>

WIRING DIAGRAM:

Airbag system <Ref. to WI-30, WIRING DIAGRAM, Airbag System.>



AB-03032

Step	Check	Yes	No
1 CHECK POOR CONTACT OF CONNECTORS. Check for poor contact of the connectors between the airbag control module and the seat belt pretensioner LH.	Is there poor contact?	Replace the airbag rear harness along with body harness.	Go to step 2.
2 CHECK SEAT BELT PRETENSIONER. 1) Turn the ignition switch to OFF, disconnect the battery ground cable, and wait for 60 seconds or more. 2) Disconnect the connector (AB21) from seat belt pretensioner (LH). 3) Connect the connector (1N) in the test harness N to the connector (AB21). 4) Connect the airbag resistor to the connector (2N) of test harness N. 5) Connect the battery ground terminal and turn the ignition switch to ON.	Does the airbag warning light illuminate for 6 seconds and go off?	Replace the seat belt pretensioner (LH). <Ref. to SB-16, Front Seat Belt.>	Go to step 3.

Diagnostic Chart with Trouble Code

AIRBAG SYSTEM (DIAGNOSTICS)

Step	Check	Yes	No
3 CHECK AIRBAG REAR HARNESS (PRE-TENSIONER HARNESS LH). 1) Turn the ignition switch to OFF, disconnect the battery ground cable, and wait for 60 seconds or more. 2) Disconnect the airbag resistor from the connector (2N) of test harness N. 3) Disconnect connector (AB19) from side airbag module (LH). 4) Disconnect the connector (AB31) from curtain airbag module (LH). 5) Disconnect the connectors (AB6, AB17, AB18) from airbag control module. 6) Connect the connector (1AG) in the test harness AG to the connectors (AB6, AB17, AB18). NOTE: Except for XV models, connect test harness AH between the connectors (AB6, AB17, AB18) and (1AG). 7) Measure the resistance between connector (3AG) in the test harness AG and connector (2N) in the test harness N. Connector & terminal (3AG) No. 10 — (2N) No. 1: (3AG) No. 12 — (2N) No. 2:	Is the resistance less than 10 Ω ?	Go to step 4.	Replace the airbag rear harness along with body harness.
4 CHECK AIRBAG CONTROL MODULE. 1) Connect all connectors. 2) Clear the memory. 3) Perform the Inspection Mode. 4) Read the DTC. (Current malfunction)	Is the same DTC displayed?	Replace the airbag control module. <Ref. to AB-77, Airbag Control Module.>	Go to step 5.
5 CHECK FOR ANY OTHER DTC ON DISPLAY.	Is any other DTC displayed?	Check DTC using "List of Diagnostic Trouble Code (DTC)". <Ref. to AB(diag)-34, List of Diagnostic Trouble Code (DTC).>	Finish the diagnosis.

Diagnostic Chart with Trouble Code

AIRBAG SYSTEM (DIAGNOSTICS)

DR:DTC B1907 SHORT IN FRONT P/T LH (TO GROUND)

DTC DETECTING CONDITION:

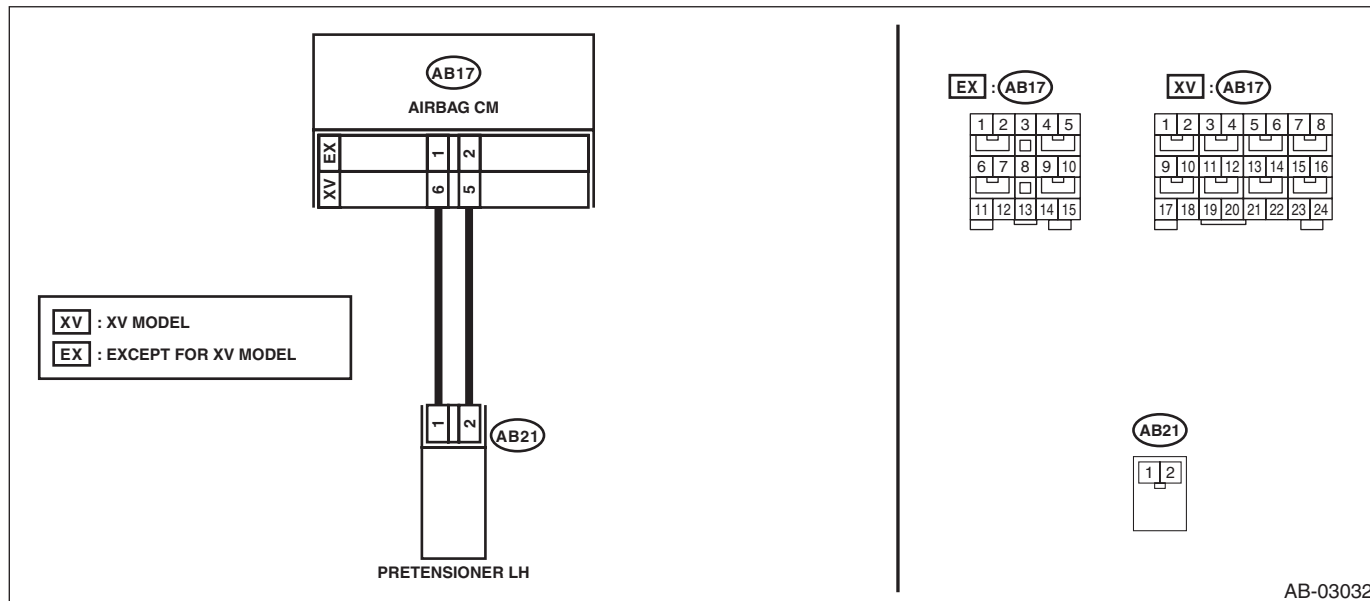
- Seat belt pretensioner (LH) circuit is shorted to ground.
- Pretensioner (LH) is faulty.
- Pretensioner harness (LH) is faulty.
- Airbag control module is faulty.

CAUTION:

Before performing diagnosis, refer to “CAUTION” in “General Description”. <Ref. to AB(diag)-4, CAUTION, General Description.>

WIRING DIAGRAM:

Airbag system <Ref. to WI-30, WIRING DIAGRAM, Airbag System.>



AB-03032

Step	Check	Yes	No
1 CHECK POOR CONTACT OF CONNECTORS. Check for poor contact of the connectors between the airbag control module and the seat belt pretensioner LH.	Is there poor contact?	Replace the airbag rear harness along with body harness.	Go to step 2.
2 CHECK SEAT BELT PRETENSIONER. 1) Turn the ignition switch to OFF, disconnect the battery ground cable, and wait for 60 seconds or more. 2) Disconnect the connector (AB21) from seat belt pretensioner (LH). 3) Connect the connector (1N) in the test harness N to the connector (AB21). 4) Connect the airbag resistor to the connector (2N) of test harness N. 5) Connect the battery ground terminal and turn the ignition switch to ON.	Does the airbag warning light illuminate for six seconds and go off?	Replace the seat belt pretensioner (LH). <Ref. to SB-16, Front Seat Belt.>	Go to step 3.

Diagnostic Chart with Trouble Code

AIRBAG SYSTEM (DIAGNOSTICS)

Step	Check	Yes	No
3 CHECK AIRBAG REAR HARNESS (PRE-TENSIONER HARNESS LH). 1) Turn the ignition switch to OFF, disconnect the battery ground cable, and wait for 60 seconds or more. 2) Disconnect the airbag resistor from the connector (2N) of test harness N. 3) Disconnect connector (AB19) from side airbag module (LH). 4) Disconnect the connector (AB31) from curtain airbag module (LH). 5) Disconnect the connectors (AB6, AB17, AB18) from airbag control module. 6) Connect the connector (1AG) in the test harness AG to the connectors (AB6, AB17, AB18). NOTE: Except for XV models, connect test harness AH between the connectors (AB6, AB17, AB18) and (1AG). 7) Measure the resistance between connector (3AG) in the test harness AG and chassis ground. <i>Connector & terminal</i> <i>(3AG) No. 10 — Chassis ground:</i> <i>(3AG) No. 12 — Chassis ground:</i>	Is the resistance 1 MΩ or more?	Go to step 4.	Replace the airbag rear harness along with body harness.
4 CHECK AIRBAG CONTROL MODULE. 1) Connect all connectors. 2) Clear the memory. 3) Perform the Inspection Mode. 4) Read the DTC. (Current malfunction)	Is the same DTC displayed?	Replace the airbag control module. <Ref. to AB-77, Airbag Control Module.>	Go to step 5.
5 CHECK FOR ANY OTHER DTC ON DISPLAY.	Is any other DTC displayed?	Check DTC using "List of Diagnostic Trouble Code (DTC)". <Ref. to AB(diag)-34, List of Diagnostic Trouble Code (DTC).>	Finish the diagnosis.

Diagnostic Chart with Trouble Code

AIRBAG SYSTEM (DIAGNOSTICS)

DS:DTC B1908 SHORT IN FRONT P/T LH (TO +B)

DTC DETECTING CONDITION:

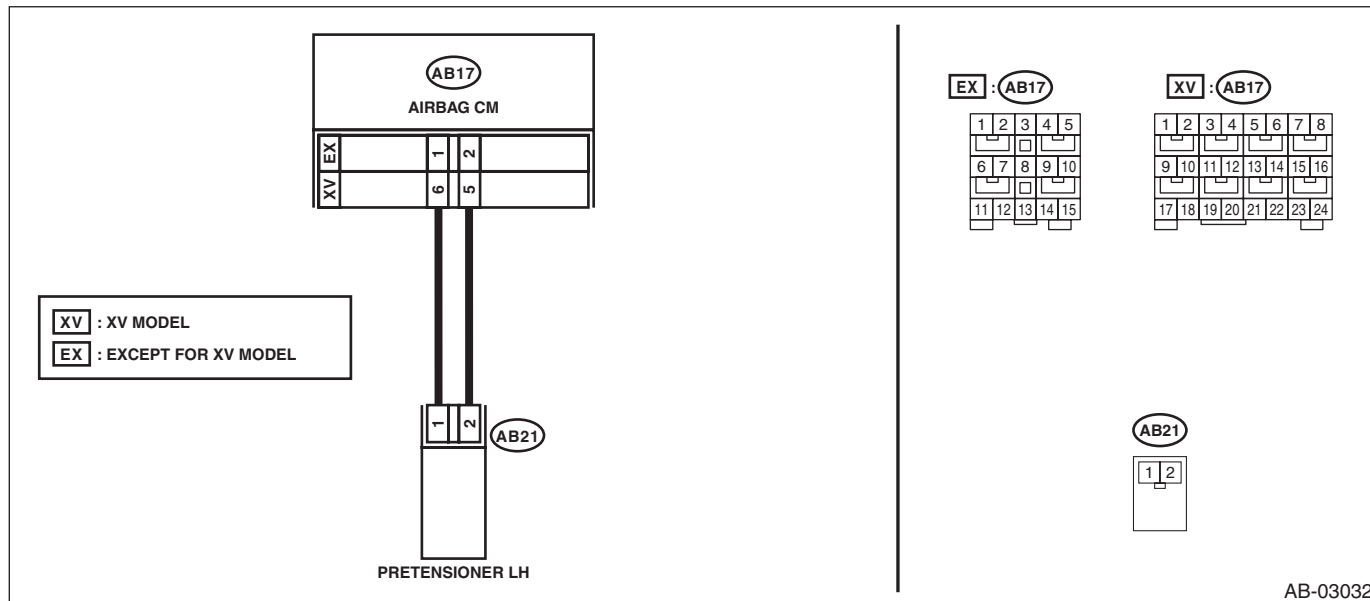
- Seat belt pretensioner (LH) circuit is shorted to power supply.
- Pretensioner (LH) is faulty.
- Pretensioner harness (LH) is faulty.
- Airbag control module is faulty.

CAUTION:

Before performing diagnosis, refer to “CAUTION” in “General Description”. <Ref. to AB(diag)-4, CAUTION, General Description.>

WIRING DIAGRAM:

Airbag system <Ref. to WI-30, WIRING DIAGRAM, Airbag System.>



AB-03032

Step	Check	Yes	No
1 CHECK POOR CONTACT OF CONNECTORS. Check for poor contact of the connectors between the airbag control module and the seat belt pretensioner LH.	Is there poor contact?	Replace the airbag rear harness along with body harness.	Go to step 2.
2 CHECK SEAT BELT PRETENSIONER. 1) Turn the ignition switch to OFF, disconnect the battery ground cable, and wait for 60 seconds or more. 2) Disconnect the connector (AB21) from seat belt pretensioner (LH). 3) Connect the connector (1N) in the test harness N to the connector (AB21). 4) Connect the airbag resistor to the connector (2N) of test harness N. 5) Connect the battery ground terminal and turn the ignition switch to ON.	Does the airbag warning light illuminate for six seconds and go off?	Replace the seat belt pretensioner (LH). <Ref. to SB-16, Front Seat Belt.>	Go to step 3.

Diagnostic Chart with Trouble Code

AIRBAG SYSTEM (DIAGNOSTICS)

Step	Check	Yes	No
3 CHECK AIRBAG REAR HARNESS (PRE-TENSIONER HARNESS LH). 1) Turn the ignition switch to OFF, disconnect the battery ground cable, and wait for 60 seconds or more. 2) Disconnect the airbag resistor from the connector (2N) of test harness N. 3) Disconnect connector (AB19) from side airbag module (LH). 4) Disconnect the connector (AB31) from curtain airbag module (LH). 5) Disconnect the connectors (AB6, AB17, AB18) from airbag control module. 6) Connect the connector (1AG) in the test harness AG to the connectors (AB6, AB17, AB18). NOTE: Except for XV models, connect test harness AH between the connectors (AB6, AB17, AB18) and (1AG). 7) Connect the battery ground terminal and turn the ignition switch to ON. 8) Measure the voltage between connector (3AG) in the test harness AG and chassis ground. Connector & terminal (3AG) No. 10 (+) — Chassis ground (-): (3AG) No. 12 (+) — Chassis ground (-):	Is the voltage less than 1 V?	Go to step 4.	Replace the airbag rear harness along with body harness.
4 CHECK AIRBAG CONTROL MODULE. 1) Connect all connectors. 2) Clear the memory. 3) Perform the Inspection Mode. 4) Read the DTC. (Current malfunction)	Is the same DTC displayed?	Replace the airbag control module. <Ref. to AB-77, Airbag Control Module.>	Go to step 5.
5 CHECK FOR ANY OTHER DTC ON DISPLAY.	Is any other DTC displayed?	Check DTC using "List of Diagnostic Trouble Code (DTC)". <Ref. to AB(diag)-34, List of Diagnostic Trouble Code (DTC).>	Finish the diagnosis.

Diagnostic Chart with Trouble Code

AIRBAG SYSTEM (DIAGNOSTICS)

DT:DTC B19F0 SHORT IN FRONT P/T 2 RH

DTC DETECTING CONDITION:

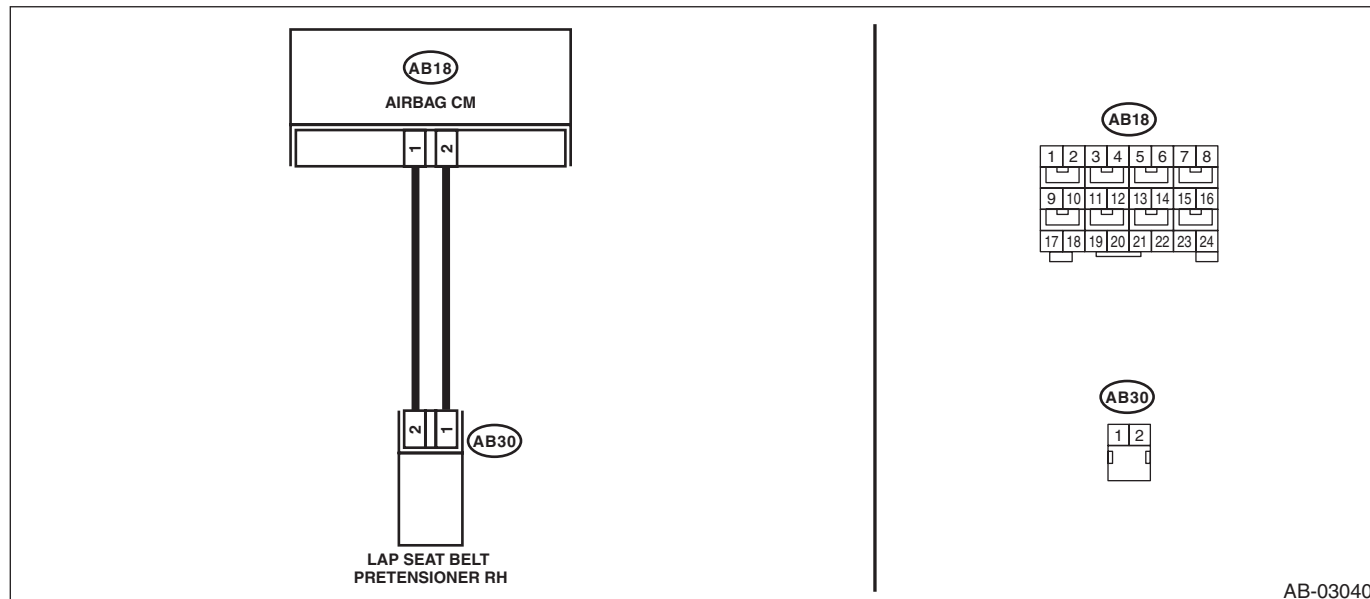
- Lap seat belt pretensioner (RH) circuit is shorted.
- Lap seat belt pretensioner (RH) is faulty.
- Lap seat belt pretensioner harness (RH) is shorted.
- Airbag control module is faulty.

CAUTION:

Before performing diagnosis, refer to “CAUTION” in “General Description”. <Ref. to AB(diag)-4, CAUTION, General Description.>

WIRING DIAGRAM:

Airbag system <Ref. to WI-30, WIRING DIAGRAM, Airbag System.>



Step	Check	Yes	No
1 CHECK POOR CONTACT OF CONNECTORS. Check for poor contact of the connectors between the airbag control module and the lap seat belt pretensioner (RH).	Is there poor contact?	Replace the airbag rear harness along with body harness.	Go to step 2.
2 CHECK LAP SEAT BELT PRETENSIONER. 1) Turn the ignition switch to OFF, disconnect the battery ground cable, and wait for 60 seconds or more. 2) Disconnect the connector (AB30) from lap seat belt pretensioner (RH). 3) Connect the connector (1N) in the test harness N to the connector (AB30). 4) Connect the airbag resistor to the connector (2N) of test harness N. 5) Connect the battery ground terminal and turn the ignition switch to ON.	Does the airbag warning light illuminate for 6 seconds and go off?	Replace the lap seat belt pretensioner (RH). <Ref. to SB-20, SEAT BELT INNER - FRONT, REMOVAL, Front Seat Belt.>	Go to step 3.

Diagnostic Chart with Trouble Code

AIRBAG SYSTEM (DIAGNOSTICS)

Step	Check	Yes	No
3 CHECK AIRBAG REAR HARNESS (LAP SEAT BELT PRETENSIONER HARNESS RH). 1) Turn the ignition switch to OFF, disconnect the battery ground cable, and wait for 60 seconds or more. 2) Disconnect the airbag resistor from test harness N. 3) Disconnect the connector (AB33) from curtain airbag module (RH). 4) Disconnect connector (AB24) from side airbag module (RH). 5) Disconnect the connector (AB26) from seat belt pretensioner. 6) Disconnect the connectors (AB6, AB17, AB18) from airbag control module. 7) Connect the connector (1AG) in the test harness AG to the connectors (AB6, AB17, AB18). 8) Measure the resistance between connector (3AG) terminals in test harness AG. Connector & terminal (3AG) No. 17 — (3AG) No. 19:	Is the resistance less than 10 Ω ?	Go to step 4.	Replace the airbag rear harness along with body harness.
4 CHECK AIRBAG CONTROL MODULE. 1) Connect all connectors. 2) Clear the memory. 3) Perform the Inspection Mode. 4) Read the DTC. (Current malfunction)	Is the same DTC displayed?	Replace the airbag control module. <Ref. to AB-77, Airbag Control Module.>	Go to step 5.
5 CHECK FOR ANY OTHER DTC ON DISPLAY.	Is any other DTC displayed?	Check DTC using "List of Diagnostic Trouble Code (DTC)". <Ref. to AB(diag)-34, List of Diagnostic Trouble Code (DTC).>	Finish the diagnosis.

Diagnostic Chart with Trouble Code

AIRBAG SYSTEM (DIAGNOSTICS)

DU:DTC B19F1 OPEN IN FRONT P/T 2 RH

DTC DETECTING CONDITION:

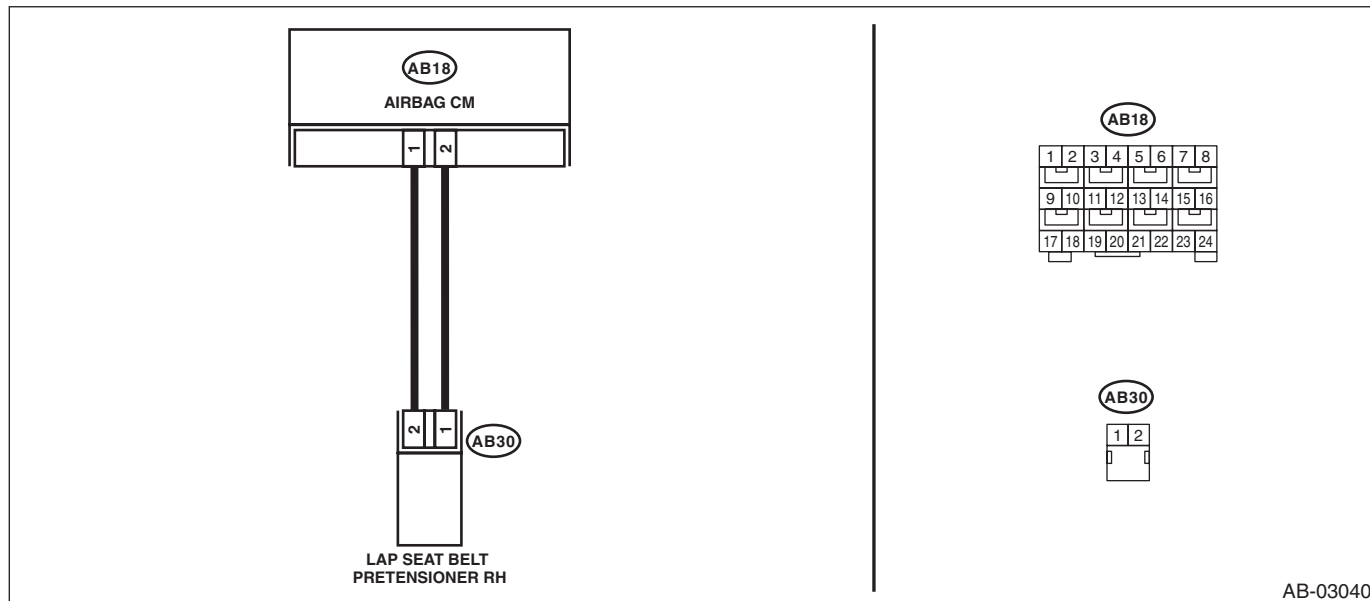
- Lap seat belt pretensioner (RH) circuit is open.
- Lap seat belt pretensioner (RH) is faulty.
- Lap seat belt pretensioner harness (RH) is open.
- Airbag control module is faulty.

CAUTION:

Before performing diagnosis, refer to “CAUTION” in “General Description”. <Ref. to AB(diag)-4, CAUTION, General Description.>

WIRING DIAGRAM:

Airbag system <Ref. to WI-30, WIRING DIAGRAM, Airbag System.>



AB-03040

Step	Check	Yes	No
1 CHECK POOR CONTACT OF CONNECTORS. Check for poor contact of the connectors between the airbag control module and the lap seat belt pretensioner (RH).	Is there poor contact?	Replace the airbag rear harness along with body harness.	Go to step 2.
2 CHECK LAP SEAT BELT PRETENSIONER. 1) Turn the ignition switch to OFF, disconnect the battery ground cable, and wait for 60 seconds or more. 2) Disconnect the connector (AB30) from lap seat belt pretensioner (RH). 3) Connect the connector (1N) in the test harness N to the connector (AB30). 4) Connect the airbag resistor to the connector (2N) of test harness N. 5) Connect the battery ground terminal and turn the ignition switch to ON.	Does the airbag warning light illuminate for 6 seconds and go off?	Replace the lap seat belt pretensioner (RH). <Ref. to SB-20, SEAT BELT INNER - FRONT, REMOVAL, Front Seat Belt.>	Go to step 3.

Diagnostic Chart with Trouble Code

AIRBAG SYSTEM (DIAGNOSTICS)

Step	Check	Yes	No
3 CHECK AIRBAG REAR HARNESS (SIDE AIRBAG HARNESS RH). 1) Turn the ignition switch to OFF, disconnect the battery ground cable, and wait for 60 seconds or more. 2) Disconnect the airbag resistor from test harness N. 3) Disconnect the connector (AB33) from curtain airbag module (RH). 4) Disconnect connector (AB24) from side airbag module (RH). 5) Disconnect the connector (AB26) from seat belt pretensioner. 6) Disconnect the connectors (AB6, AB17, AB18) from airbag control module. 7) Connect the connector (1AG) in the test harness AG to the connectors (AB6, AB17, AB18). 8) Measure the resistance between connector (3AG) in the test harness AG and connector (2N) in the test harness N. Connector & terminal (3AG) No. 17 — (2N) No. 2: (3AG) No. 19 — (2N) No. 1:	Is the resistance less than 10 Ω ?	Go to step 4.	Replace the airbag rear harness along with body harness.
4 CHECK AIRBAG CONTROL MODULE. 1) Connect all connectors. 2) Clear the memory. 3) Perform the Inspection Mode. 4) Read the DTC. (Current malfunction)	Is the same DTC displayed?	Replace the airbag control module. <Ref. to AB-77, Airbag Control Module.>	Go to step 5.
5 CHECK FOR ANY OTHER DTC ON DISPLAY.	Is any other DTC displayed?	Check DTC using "List of Diagnostic Trouble Code (DTC)". <Ref. to AB(diag)-34, List of Diagnostic Trouble Code (DTC).>	Finish the diagnosis.

Diagnostic Chart with Trouble Code

AIRBAG SYSTEM (DIAGNOSTICS)

DV:DTC B19F2 SHORT IN FRONT P/T 2 RH (TO GROUND)

DTC DETECTING CONDITION:

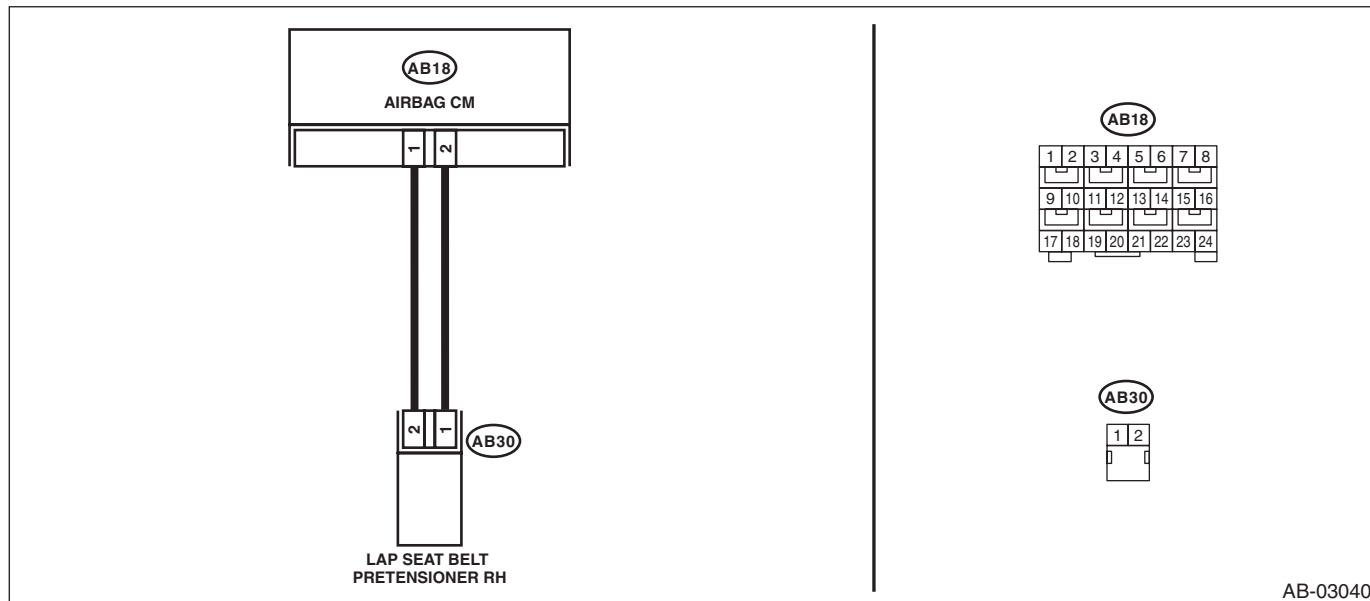
- Lap seat belt pretensioner (RH) circuit is shorted to ground.
- Lap seat belt pretensioner (RH) is faulty.
- Lap seat belt pretensioner harness (RH) is shorted to ground.
- Airbag control module is faulty.

CAUTION:

Before performing diagnosis, refer to “CAUTION” in “General Description”. <Ref. to AB(diag)-4, CAUTION, General Description.>

WIRING DIAGRAM:

Airbag system <Ref. to WI-30, WIRING DIAGRAM, Airbag System.>



Step	Check	Yes	No
1 CHECK POOR CONTACT OF CONNECTORS. Check for poor contact of the connectors between the airbag control module and the lap seat belt pretensioner (RH).	Is there poor contact?	Replace the airbag rear harness along with body harness.	Go to step 2.
2 CHECK LAP SEAT BELT PRETENSIONER. 1) Turn the ignition switch to OFF, disconnect the battery ground cable, and wait for 60 seconds or more. 2) Disconnect the connector (AB30) from lap seat belt pretensioner (RH). 3) Connect the connector (1N) in the test harness N to the connector (AB30). 4) Connect the airbag resistor to the connector (2N) of test harness N. 5) Connect the battery ground terminal and turn the ignition switch to ON.	Does the airbag warning light illuminate for 6 seconds and go off?	Replace the lap seat belt pretensioner (RH). <Ref. to SB-20, SEAT BELT INNER - FRONT, REMOVAL, Front Seat Belt.>	Go to step 3.

Diagnostic Chart with Trouble Code

AIRBAG SYSTEM (DIAGNOSTICS)

Step	Check	Yes	No
3 CHECK AIRBAG REAR HARNESS (LAP SEAT BELT PRETENSIONER HARNESS RH). 1) Turn the ignition switch to OFF, disconnect the battery ground cable, and wait for 60 seconds or more. 2) Disconnect the airbag resistor from test harness N. 3) Disconnect the connector (AB33) from curtain airbag module (RH). 4) Disconnect connector (AB24) from side airbag module (RH). 5) Disconnect the connector (AB26) from seat belt pretensioner. 6) Disconnect the connectors (AB6, AB17, AB18) from airbag control module. 7) Connect the connector (1AG) in the test harness AG to the connectors (AB6, AB17, AB18). 8) Measure the resistance between connector (3AG) in the test harness AG and chassis ground. <i>Connector & terminal</i> <i>(3AG) No. 17 — Chassis ground:</i> <i>(3AG) No. 19 — Chassis ground:</i>	Is the resistance 1 MΩ or more?	Go to step 4.	Replace the airbag rear harness along with body harness.
4 CHECK AIRBAG CONTROL MODULE. 1) Connect all connectors. 2) Clear the memory. 3) Perform the Inspection Mode. 4) Read the DTC. (Current malfunction)	Is the same DTC displayed?	Replace the airbag control module. <Ref. to AB-77, Airbag Control Module.>	Go to step 5.
5 CHECK FOR ANY OTHER DTC ON DISPLAY.	Is any other DTC displayed?	Check DTC using “List of Diagnostic Trouble Code (DTC)”. <Ref. to AB(diag)-34, List of Diagnostic Trouble Code (DTC).>	Finish the diagnosis.

Diagnostic Chart with Trouble Code

AIRBAG SYSTEM (DIAGNOSTICS)

DW:DTC B19F3 SHORT IN FRONT P/T 2 RH (TO +B)

DTC DETECTING CONDITION:

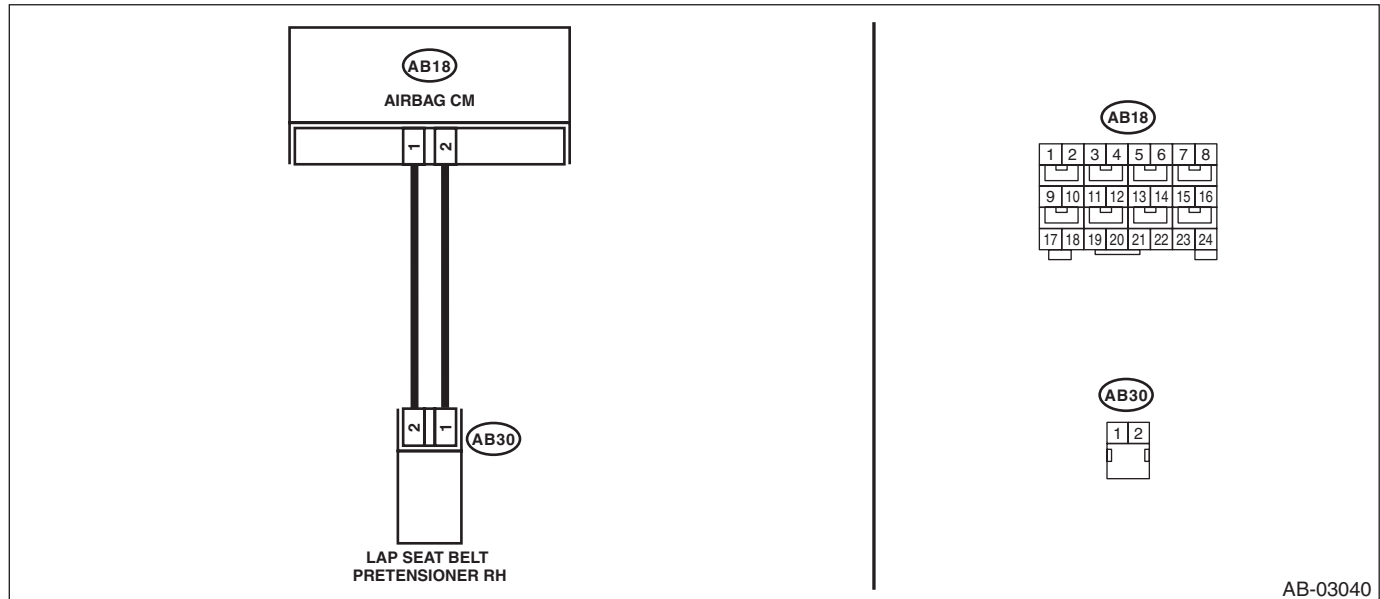
- Lap seat belt pretensioner (RH) circuit is shorted to power supply.
- Lap seat belt pretensioner (RH) is faulty.
- Lap seat belt pretensioner harness (RH) is shorted to power supply.
- Airbag control module is faulty.

CAUTION:

Before performing diagnosis, refer to “CAUTION” in “General Description”. <Ref. to AB(diag)-4, CAUTION, General Description.>

WIRING DIAGRAM:

Airbag system <Ref. to WI-30, WIRING DIAGRAM, Airbag System.>



Step	Check	Yes	No
1 CHECK POOR CONTACT OF CONNECTORS. Check for poor contact of the connectors between the airbag control module and the lap seat belt pretensioner (RH).	Is there poor contact?	Replace the airbag rear harness along with body harness.	Go to step 2.
2 CHECK LAP SEAT BELT PRETENSIONER. 1) Turn the ignition switch to OFF, disconnect the battery ground cable, and wait for 60 seconds or more. 2) Disconnect the connector (AB30) from lap seat belt pretensioner (RH). 3) Connect the connector (1N) in the test harness N to the connector (AB30). 4) Connect the airbag resistor to the connector (2N) of test harness N. 5) Connect the battery ground terminal and turn the ignition switch to ON.	Does the airbag warning light illuminate for 6 seconds and go off?	Replace the lap seat belt pretensioner (RH). <Ref. to SB-20, SEAT BELT INNER - FRONT, REMOVAL, Front Seat Belt.>	Go to step 3.

Diagnostic Chart with Trouble Code

AIRBAG SYSTEM (DIAGNOSTICS)

Step	Check	Yes	No
3 CHECK AIRBAG REAR HARNESS (LAP SEAT BELT PRETENSIONER HARNESS RH). 1) Turn the ignition switch to OFF, disconnect the battery ground cable, and wait for 60 seconds or more. 2) Disconnect the airbag resistor from test harness N. 3) Disconnect the connector (AB33) from curtain airbag module (RH). 4) Disconnect connector (AB24) from side airbag module (RH). 5) Disconnect the connector (AB26) from seat belt pretensioner. 6) Disconnect the connectors (AB6, AB17, AB18) from airbag control module. 7) Connect the connector (1AG) in the test harness AG to the connectors (AB6, AB17, AB18). 8) Connect the battery ground terminal and turn the ignition switch to ON. 9) Measure the voltage between connector (3AG) in the test harness AG and chassis ground. <i>Connector & terminal</i> <i>(3AG) No. 17 (+) — Chassis ground (-):</i> <i>(3AG) No. 19 (+) — Chassis ground (-):</i>	Is the voltage less than 1 V?	Go to step 4.	Replace the airbag rear harness along with body harness.
4 CHECK AIRBAG CONTROL MODULE. 1) Connect all connectors. 2) Clear the memory. 3) Perform the Inspection Mode. 4) Read the DTC. (Current malfunction)	Is the same DTC displayed?	Replace the airbag control module. <Ref. to AB-77, Airbag Control Module.>	Go to step 5.
5 CHECK FOR ANY OTHER DTC ON DISPLAY.	Is any other DTC displayed?	Check DTC using "List of Diagnostic Trouble Code (DTC)". <Ref. to AB(diag)-34, List of Diagnostic Trouble Code (DTC).>	Finish the diagnosis.

Diagnostic Chart with Trouble Code

AIRBAG SYSTEM (DIAGNOSTICS)

OCCUPANT DETECTION SYSTEM (DIAGNOSTICS)

OD(diag)

	Page
1. Basic Diagnostic Procedure	2
2. Check List for Interview	3
3. General Description	4
4. Electrical Component Location	8
5. Airbag Connector	9
6. Control Module I/O Signal	10
7. Subaru Select Monitor	11
8. Read Diagnostic Trouble Code (DTC)	12
9. Inspection Mode	13
10. Clear Memory Mode	14
11. Display of Status Information	15
12. Airbag Warning Light Illumination Pattern	16
13. Passenger's Airbag ON/OFF Indicator Light Illumination Pattern	17
14. List of Diagnostic Trouble Code (DTC)	18
15. Diagnostic Procedure with Diagnostic Trouble Code (DTC)	19