

4. ENGINE ELECTRICAL
MPFI-Non-TURBO

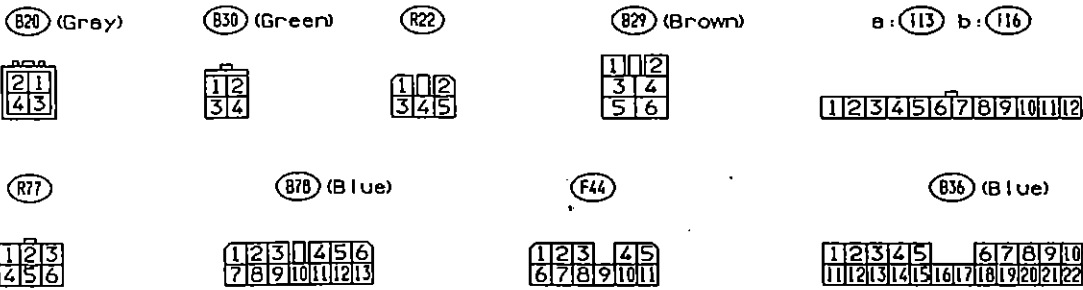
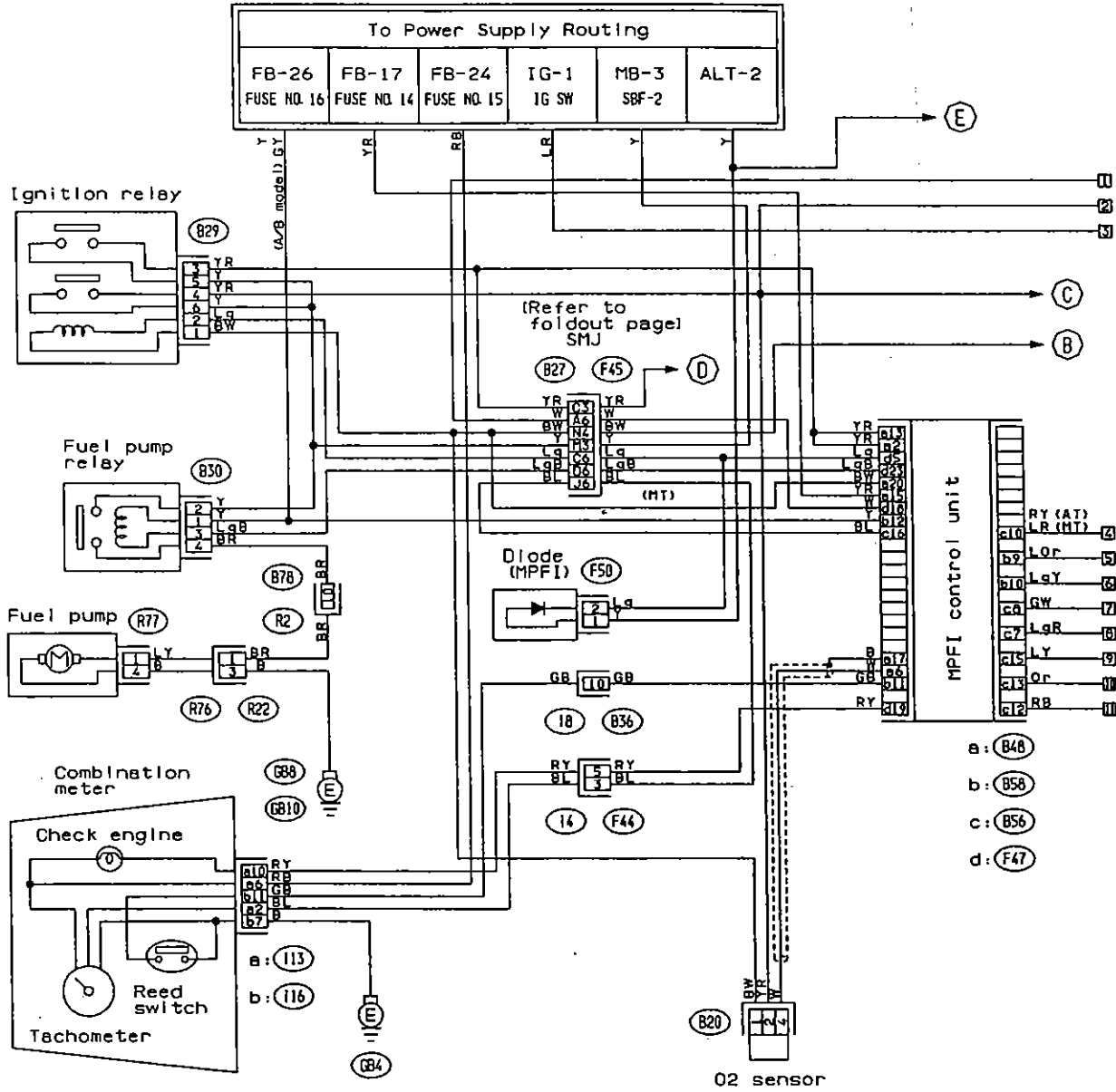
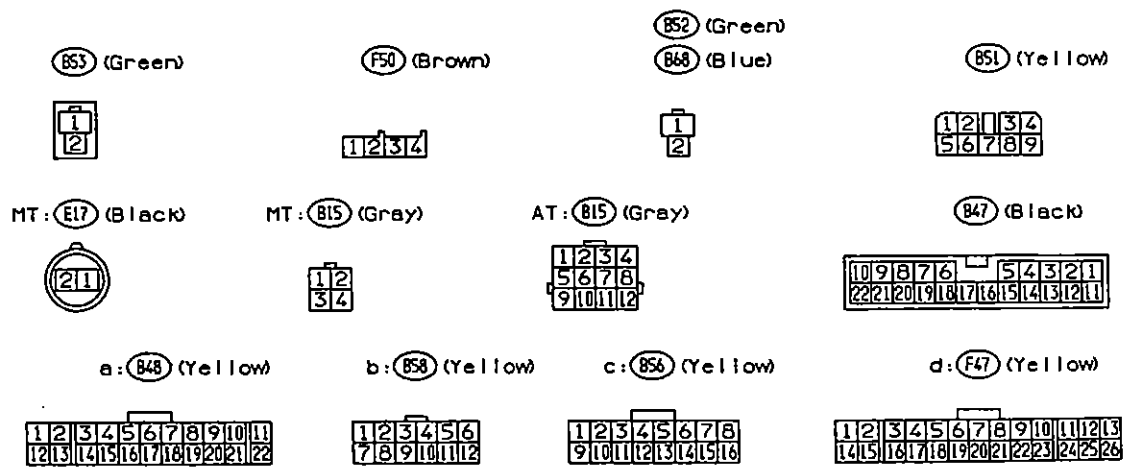
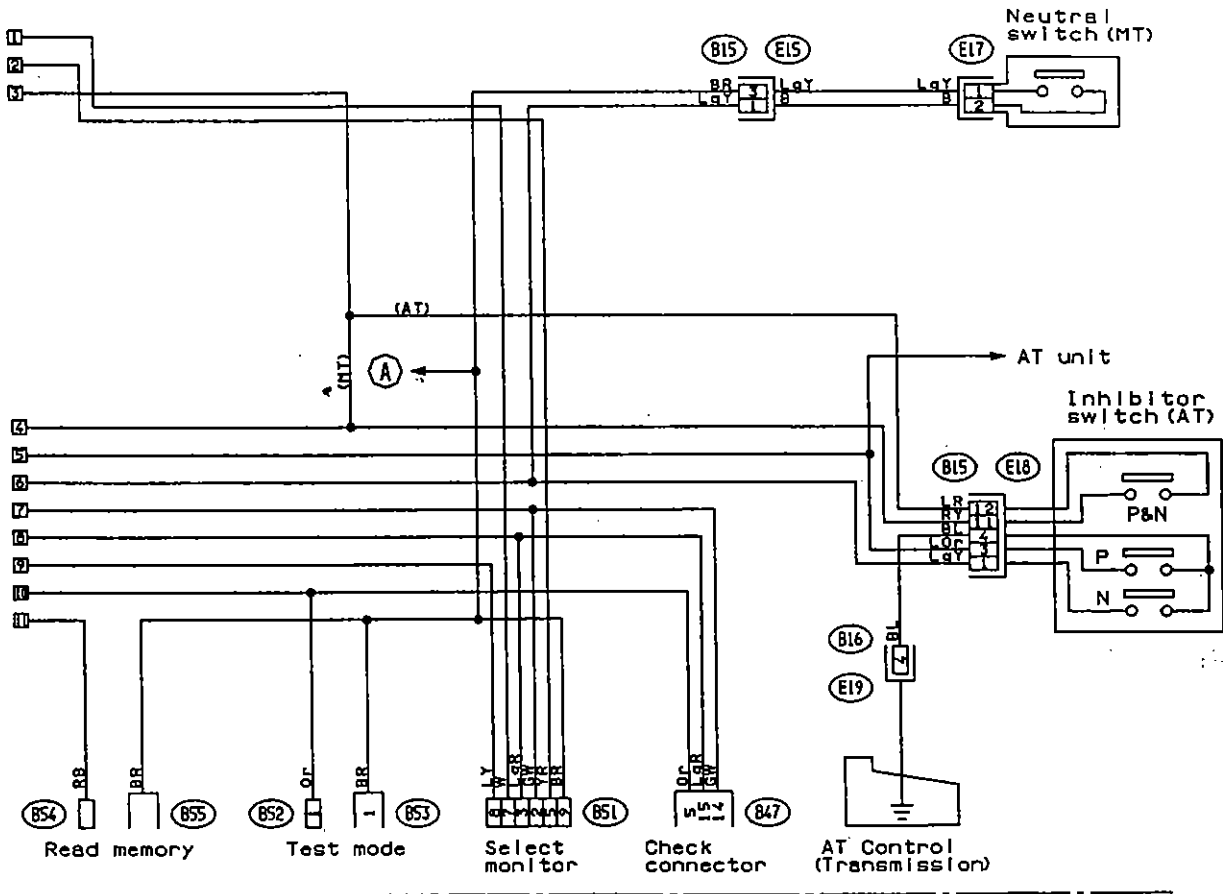


Fig. 28-1

BU10-04A



BU10-04B

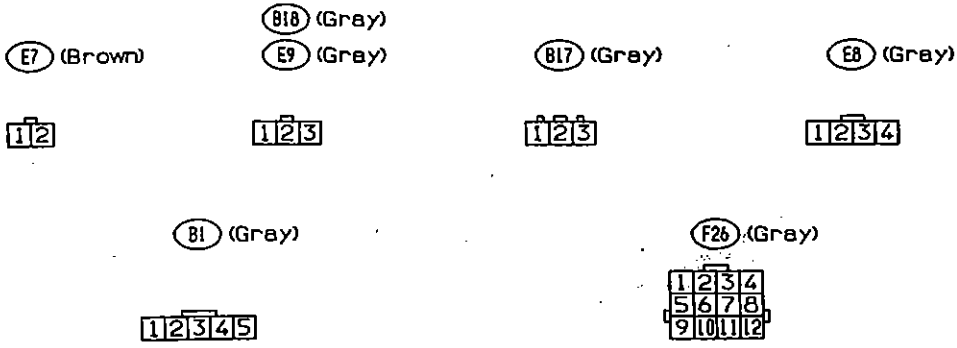
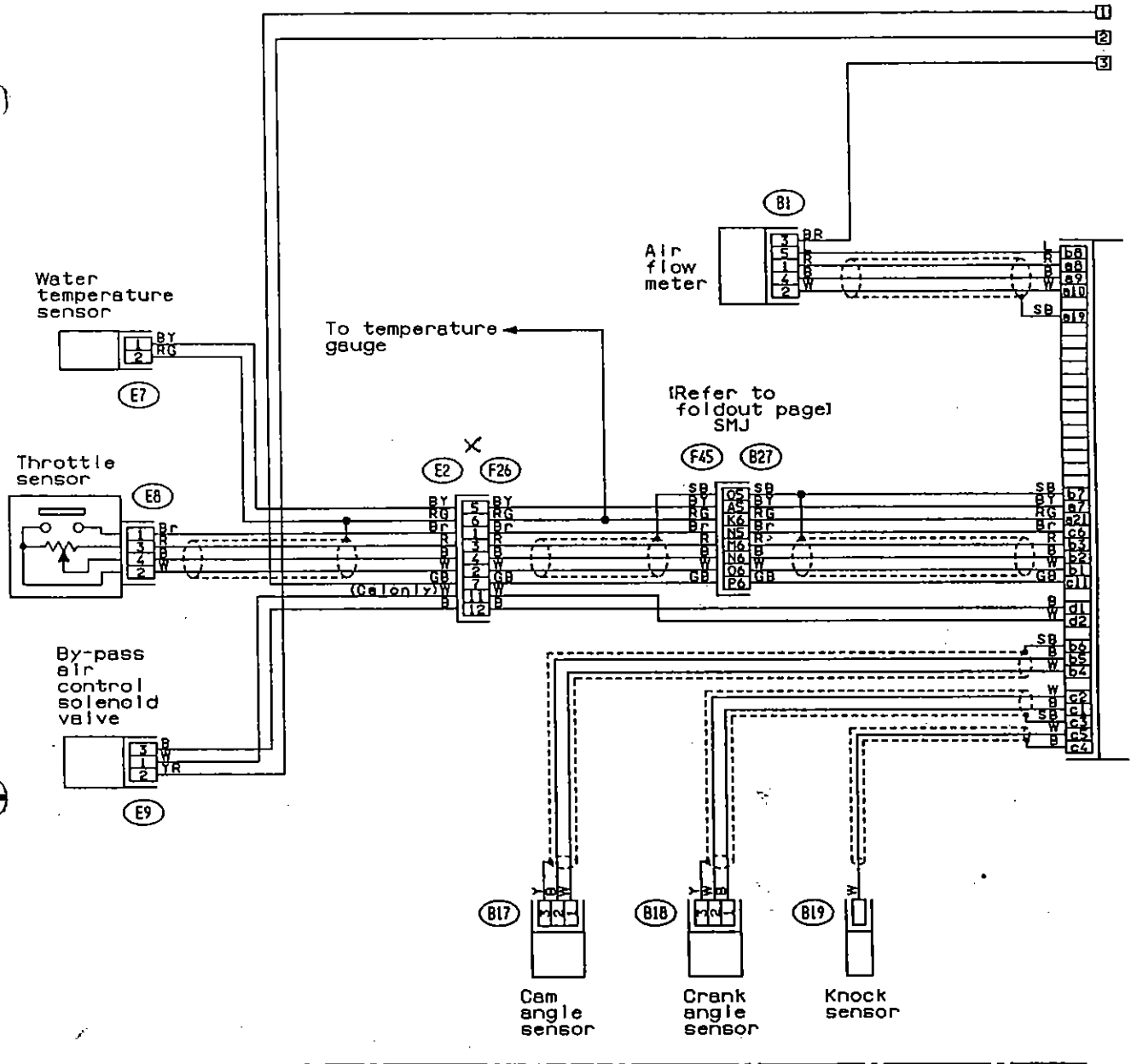
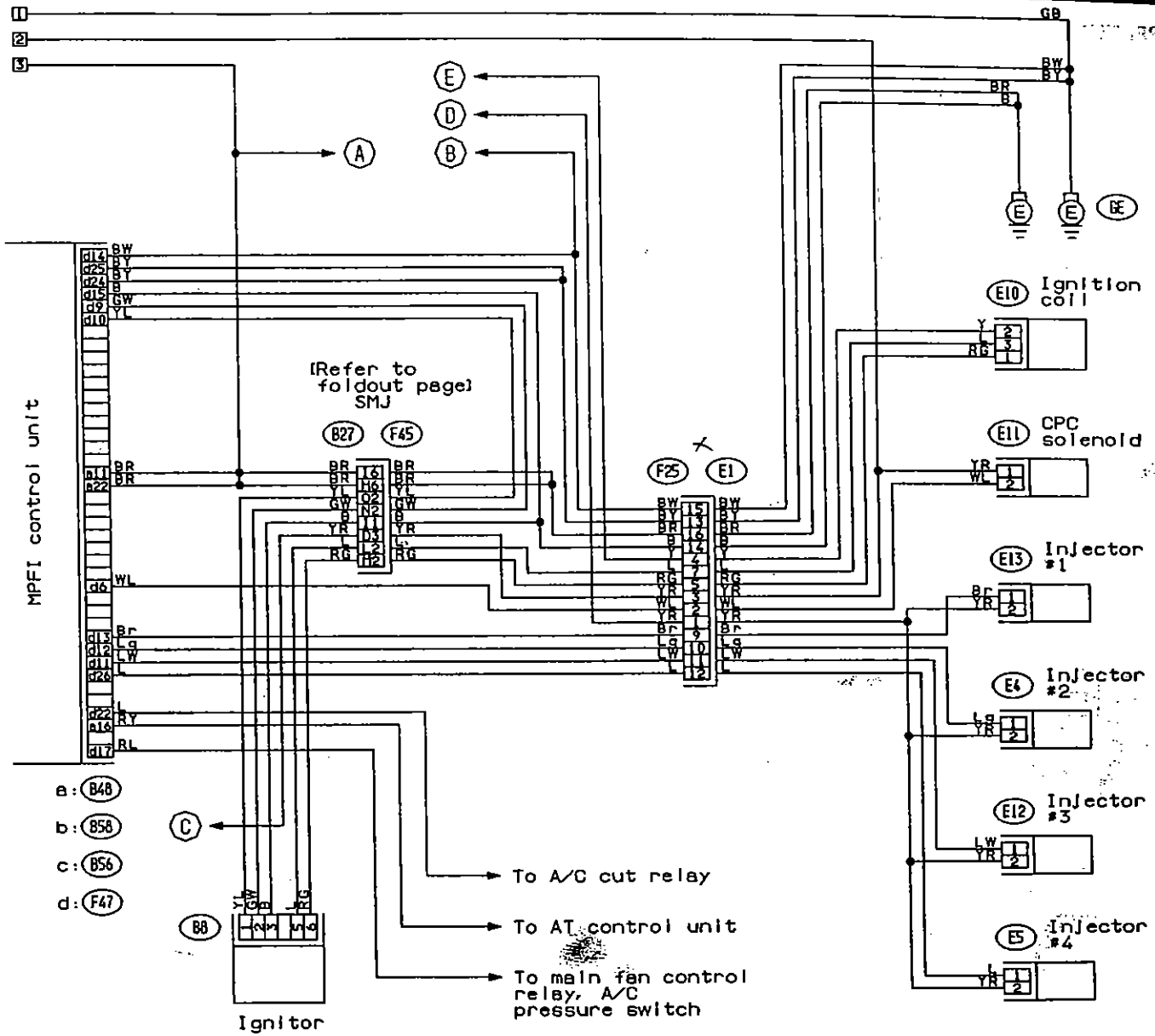


Fig. 28-2

BU10-04C

WIRING DIAGRAM AND TROUBLESHOOTING

[0504] 6-3



- (E4) (Gray) (E11) (Blue)
 (E5) (Gray) (E12) (Gray) (E13) (Gray) (E10) (Gray) (B8) (Gray) (F25) (Gray)

