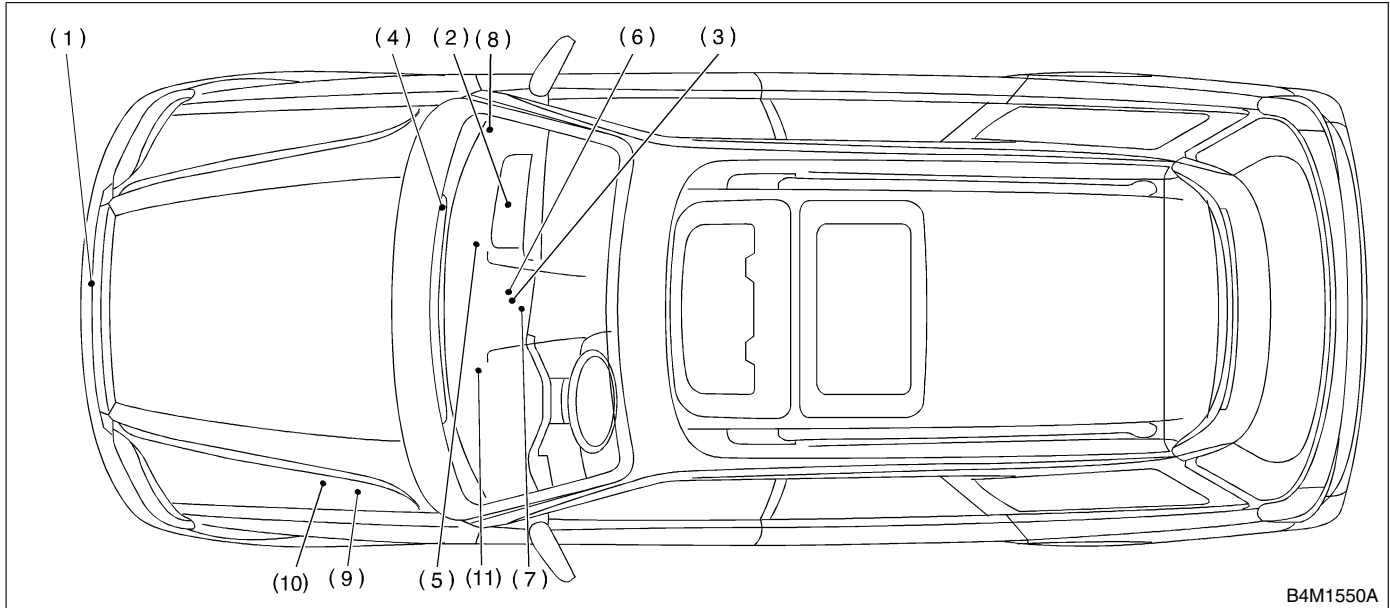


ELECTRICAL COMPONENTS LOCATION

HVAC System (Auto A/C) (DIAGNOSTICS)

3. Electrical Components Location S001507

A: LOCATION S001507A13



B4M1550A

- | | | |
|-----------------------|-----------------------------|----------------------|
| (1) Ambient sensor | (5) Evaporator sensor | (9) A/C relay |
| (2) Power transistor | (6) Auto A/C control module | (10) A/C fuse |
| (3) In-vehicle sensor | (7) Air mix door motor | (11) Mode door motor |
| (4) Sunload sensor | (8) Intake door motor | |