

# REFRIGERANT RECOVERY PROCEDURE

HVAC System (Heater, Ventilator and A/C)

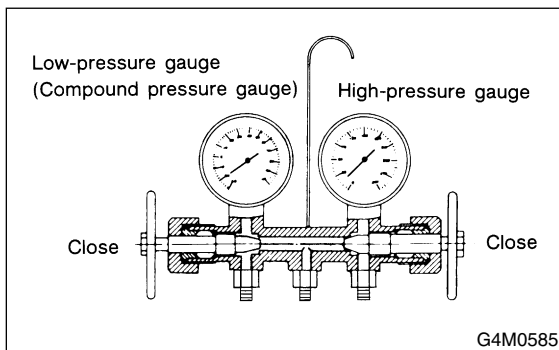
## 3. Refrigerant Recovery Procedure S701291

### A: OPERATION S701291A16

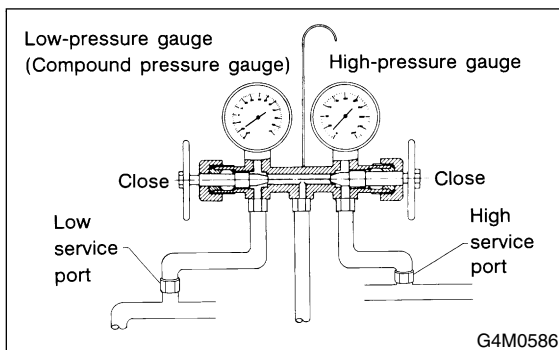
#### CAUTION:

- During operation, be sure to wear safety goggles and protective gloves.
- Connect the refrigerant recovery system with the manifold gauge set to discharge the refrigerant from the A/C system and reuse it.
- When reusing the discharged refrigerant, keep service cans on hand. Because the discharge rate with the recovery system is approx. 90%, service cans are necessary to charge the refrigerant.
- Follow the detailed operation procedure described in the operation manual attached to the refrigerant recovery system.

- 1) Perform the compressor oil return operation.  
<Ref. to AC-24, OPERATION, Compressor Oil.>
- 2) Stop the engine.
- 3) Close the valves on the low-/high-pressure sides of the manifold gauge set.



- 4) Install the low-/high-pressure hoses to the service ports on the low-/high-pressure sides of the vehicle respectively.



- 5) Connect the center hose to the refrigerant recovery system.
- 6) Follow the operation manual to activate the refrigerant recovery system.