

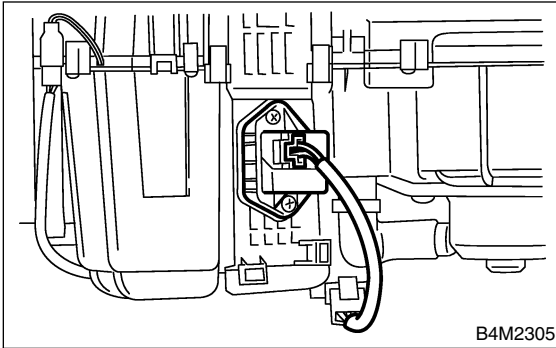
POWER TRANSISTOR (HEATER BLOWER RESISTOR)

HVAC System (Heater, Ventilator and A/C)

9. Power Transistor (Heater Blower Resistor) S701553

A: REMOVAL S701553A18

- 1) Remove glove box. <Ref. to EI-34, REMOVAL, Glove Box.>
- 2) Disconnect power transistor connector.
- 3) Loosen 2 screws to remove power transistor.



B: INSTALLATION S701553A11

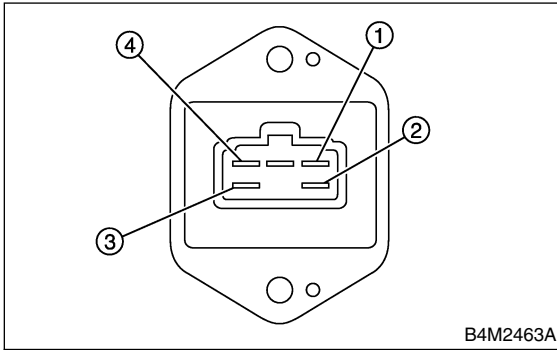
Install in the reverse order of removal.

POWER TRANSISTOR (HEATER BLOWER RESISTOR)

HVAC System (Heater, Ventilator and A/C)

C: INSPECTION S701553A10

1. MANUAL A/C S701553A1002



Measure switch resistance.

Terminal No.	Condition	Standard
4 and 3	Constant	Approx. 0.46 Ω
3 and 2	Constant	Approx. 0.85 Ω
2 and 1	Constant	Approx. 1.77 Ω

If NG, replace the blower resistor.