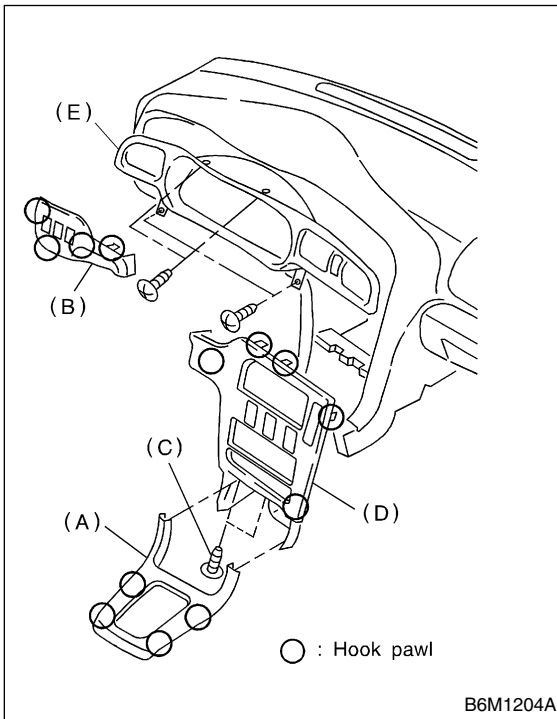


## 22. Air Vent Grille S701284

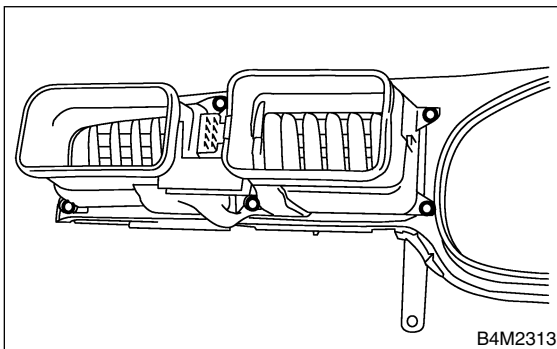
### A: REMOVAL S701284A18

#### 1. AIR VENT GRILLE DRIVER SIDE S701284A1801

- 1) Disconnect ground cable from battery.
- 2) Set tilt steering to the lowest position.
- 3) Disconnect each electrical connector to remove front cover (A) and switch panel (B).
- 4) Loosen screw (C) to remove center panel (D).
- 5) Remove meter visor (E).

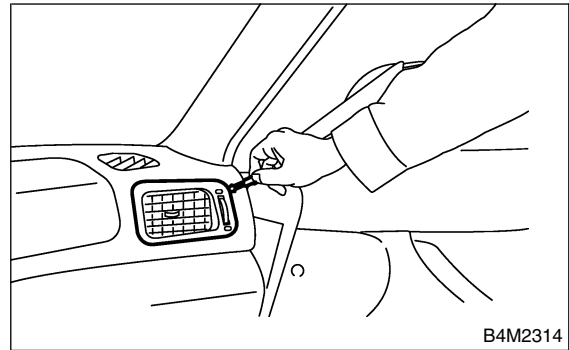


- 6) Loosen screws to remove grille.



### 2. AIR VENT GRILLE PASSENGER SIDE S701284A1802

- 1) Remove grille using slot-type screwdriver.



**CAUTION:**  
Wrap screwdriver with vinyl tape to prevent damage to interior parts.

### B: INSTALLATION S701284A11

Install in the reverse order of removal.

### C: INSPECTION S701284A10

The direction and amount of air should be adjusted smoothly.  
The adjustment should be kept in each position.