

BASIC DIAGNOSTICS PROCEDURE

WIRING SYSTEM

1. Basic Diagnostics Procedure

A: BASIC PROCEDURES

1. GENERAL

The most important purpose of diagnostics is to determine which part is malfunctioning quickly, to save time and labor.

2. IDENTIFICATION OF TROUBLE SYMPTOM

Determine what the problem is based on the symptom.

3. PROBABLE CAUSE OF TROUBLE

Look at the wiring diagram and check the system's circuit. Then check the switch, relay, fuse, ground, etc.

4. LOCATION AND REPAIR OF TROUBLE

- 1) Using the diagnostics narrow down the causes.
- 2) If necessary, use a voltmeter, ohmmeter, etc.
- 3) Before replacing certain component parts (switch, relay, etc.), check the power supply, ground, for open wiring harness, poor connectors, etc. If no problems are encountered, check the component parts.

5. CONFIRMATION OF SYSTEM OPERATION

After repairing, ensure that the system operates properly.

B: BASIC INSPECTION

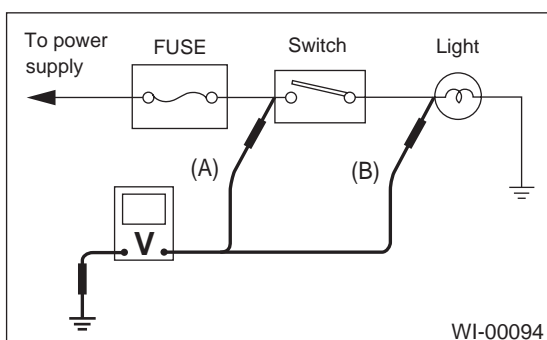
1. VOLTAGE MEASUREMENT

1) Using a voltmeter, connect the negative lead to a good ground point or negative battery terminal and the positive lead to the connector or component terminal.

2) Contact the positive probe of the voltmeter on connector (A).

The voltmeter will indicate a voltage.

3) Shift the positive probe to connector (B). The voltmeter will indicate no voltage.



4) With test set-up held as it is, turn switch ON. The voltmeter will indicate a voltage and, at the same time, the light will come on.

5) The circuit is in good order. If a problem such as a lamp failing to light occurs, use the procedures outlined above to track down the malfunction.

2. CIRCUIT CONTINUITY CHECKS

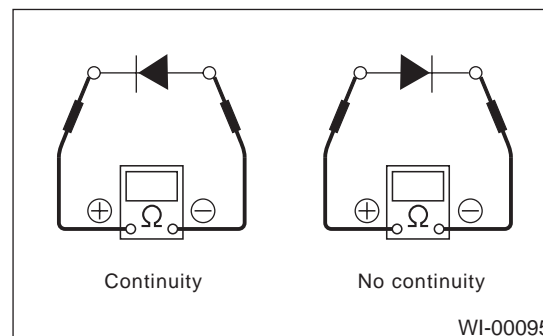
1) Disconnect the battery terminal or connector so there is no voltage between the check points.

Contact the two leads of an ohmmeter to each of the check points.

If the circuit has diodes, reverse the two leads and check again.

2) Use an ohmmeter to check for diode continuity. When contacting the negative lead to the diode positive side and the positive lead to the negative side, there should be continuity.

When contacting the two leads in reverse, there should be no continuity.



3) Symbol "○—○" indicates that continuity exists between two points or terminals. For example, when a switch position is "3", continuity exists among terminals 1, 3 and 6, as shown in table below.

Terminal Switch Position	1	2	3	4	5	6
OFF						
1	○—○				○—○	
2	○—○			○—○		○—○
3	○—○		○—○			○—○
4	○—○	○—○				○—○

WI-00096

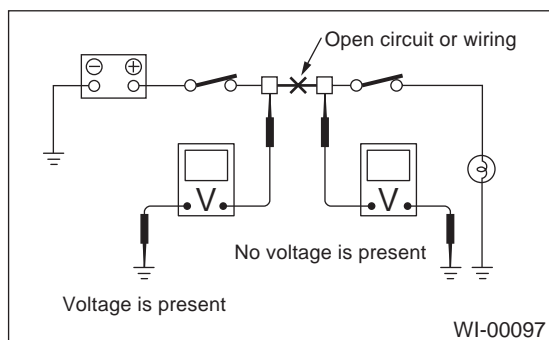
BASIC DIAGNOSTICS PROCEDURE

WIRING SYSTEM

3. HOW TO DETERMINE AN OPEN CIRCUIT

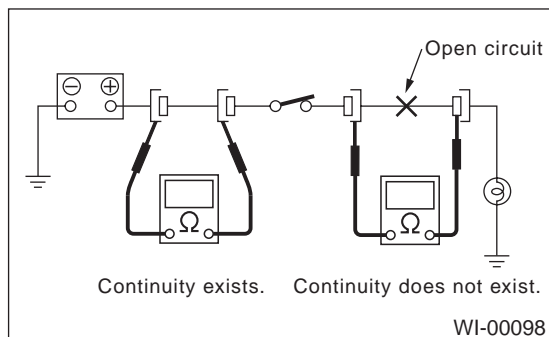
1) Voltmeter Method:

An open circuit is determined by measuring the voltage between respective connectors and ground using a voltmeter, starting with the connector closest to the power supply. The power supply must be turned ON so that current flows in the circuit. If voltage is not present between a particular connector and ground, the circuit between that connector and the previous connector is open.



2) Ohmmeter method:

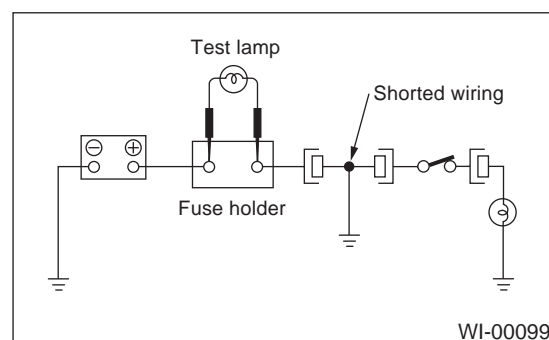
Disconnect all connectors affected, and check continuity in the wiring between adjacent connectors. When the ohmmeter indicates "infinite", the wiring is open.



4. HOW TO DETERMINE A SHORT CIRCUIT

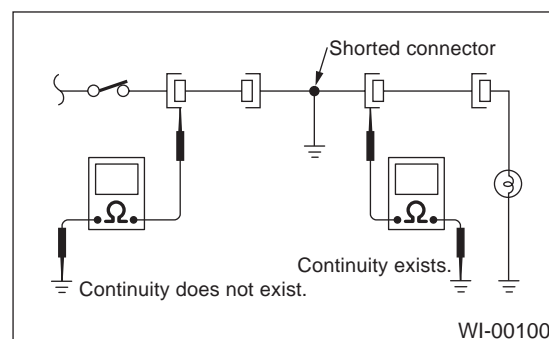
1) Test lamp method:

Connect a test lamp (rated at approximately 3 watts) in place of the blown fuse and allow current to flow through the circuit. Disconnect one connector at a time from the circuit, starting with the one located farthest from the power supply. If the test lamp goes out when a connector is disconnected, the wiring between that connection and the next connector (farther from the power supply) is shorted.



2) Ohmmeter method:

Disconnect all affected connectors, and check continuity between each connector and ground. When ohmmeter indicates continuity between a particular connector and ground, that connector is shorted.



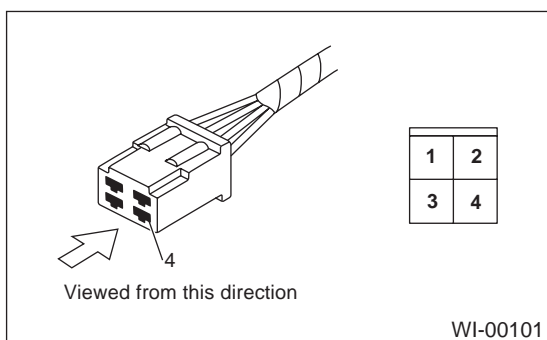
C: HOW TO READ WIRING DIAGRAMS

1. WIRING DIAGRAM

The wiring diagram of each system is illustrated so that you can understand path through which electric current flows from battery.

Sketches and codes are used in the diagrams. They should read as follows:

- Each connector and its terminal position are indicated by a sketch of the connector in a disconnected state which is viewed from front.



- The number of poles or pins, presence of a lock, and pin number of each terminal are indicated in sketch of each connector. In sketch, the highest pole number refers to number of poles which connector has. For example, the sketch of the connector shown in figure indicates connector has 9 poles.

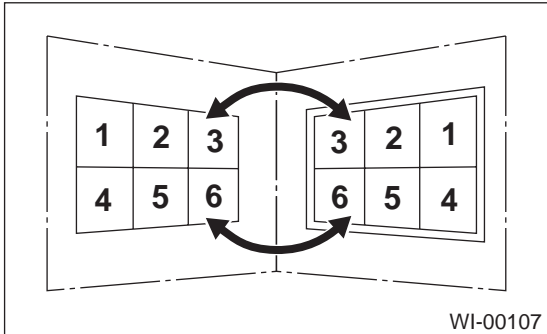
Connector used in vehicle	Connector shown in wiring diagram		
	Sketch	Symbol	Number of poles
	<p>Double frames</p> <p>Indicates a lock is included.</p> <p>Indicates the number of poles.</p>		Numbered in order from upper right to lower left.
	<p>Indicates a lock is included.</p> <p>Single frame</p>		Numbered in order from upper left to lower right

WI-00102

BASIC DIAGNOSTICS PROCEDURE

WIRING SYSTEM

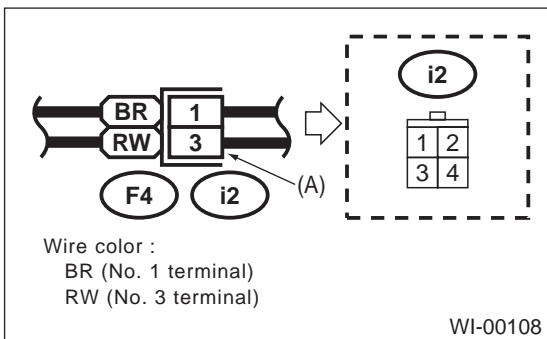
- When one set of connectors is viewed from the front side, the pole numbers of one connector are symmetrical to those of the other. When these two connectors are connected as a unit, the poles which have the same number are joined.



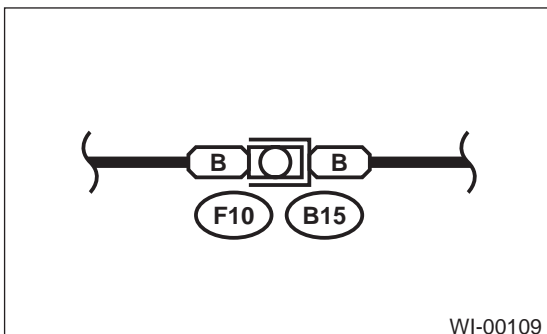
- Electrical wiring harness:
The connectors are numbered along with the number of poles, external colors, and mating connections in the accompanying list.
- The sketch of each connector in the wiring diagram usually shows the (A) side of the connector. The relationship between the wire color, terminal number and connector is described in figure.

NOTE:

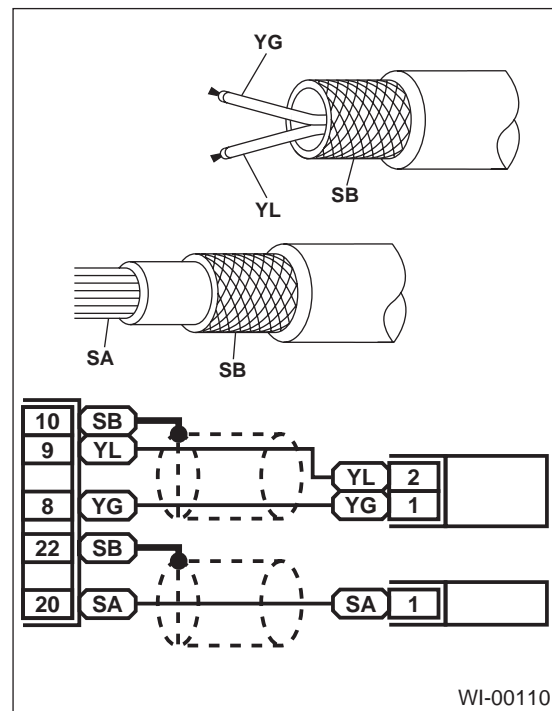
A wire which runs in one direction from a connector terminal sometimes may have a different color from that which runs in the other direction from that terminal.



- In wiring diagram, connectors which have no terminal number refer to one-pole types. Sketches of these connectors are omitted intentionally.

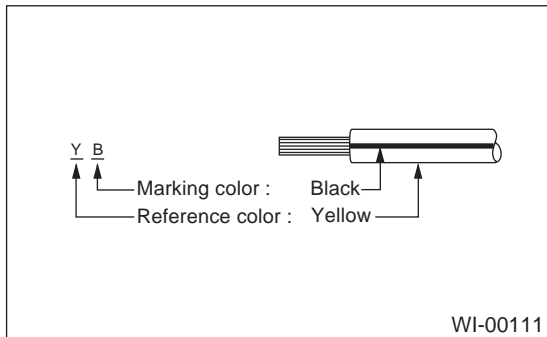


- The following color codes are used to indicate the colors of the wires used.



BASIC DIAGNOSTICS PROCEDURE

- The wire color code, which consists of two letters (or three letters including Br or Lg), indicates the standard color (base color of the wire covering) by its first letter and the stripe marking by its second letter.



- The table lists the nominal sectional areas and allowable currents of the wires.

CAUTION:

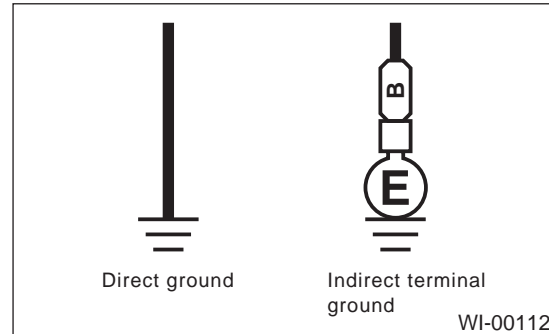
When replacing or repairing a wire, be sure to use the same size and type of the wire which was originally used.

NOTE:

- The allowable current in the table indicates the tolerable amperage of each wire at an ambient temperature of 40°C (104°F).
- The allowable current changes with ambient temperature. Also, it changes if a bundle of more than two wires is used.

Nominal sectional area mm ²	No. of strands/ strand diameter	Outside diameter of finished wiring mm	Allowable current Amps/ 40°C (104°F)
0.3	7/0.26	1.8	7
0.5	7/0.32	2.2 (or 2.0)	12
0.75	30/0.18	2.6 (or 2.4)	16
0.85	11/0.32	2.4 (or 2.2)	16
1.25	16/0.32	2.7 (or 2.5)	21
2	26/0.32	3.1 (or 2.9)	28
3	41/0.32	3.8 (or 3.6)	38
5	65/0.32	4.6 (or 4.4)	51
8	50/0.45	5.5	67

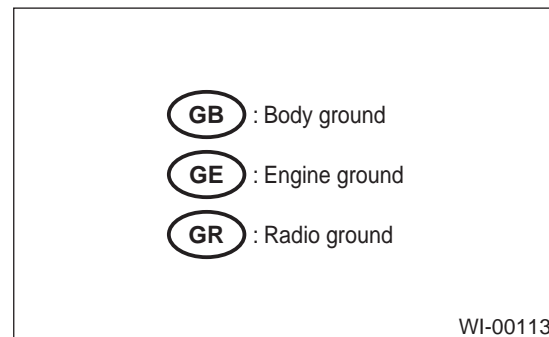
- Each unit is directly grounded to the body or indirectly grounds through a harness ground terminal. Different symbols are used in the wiring diagram to identify the two grounding systems.



- The ground points shown in the wiring diagram refer to the following:

NOTE:

All wiring harnesses are provided with a ground point which should be securely connected.

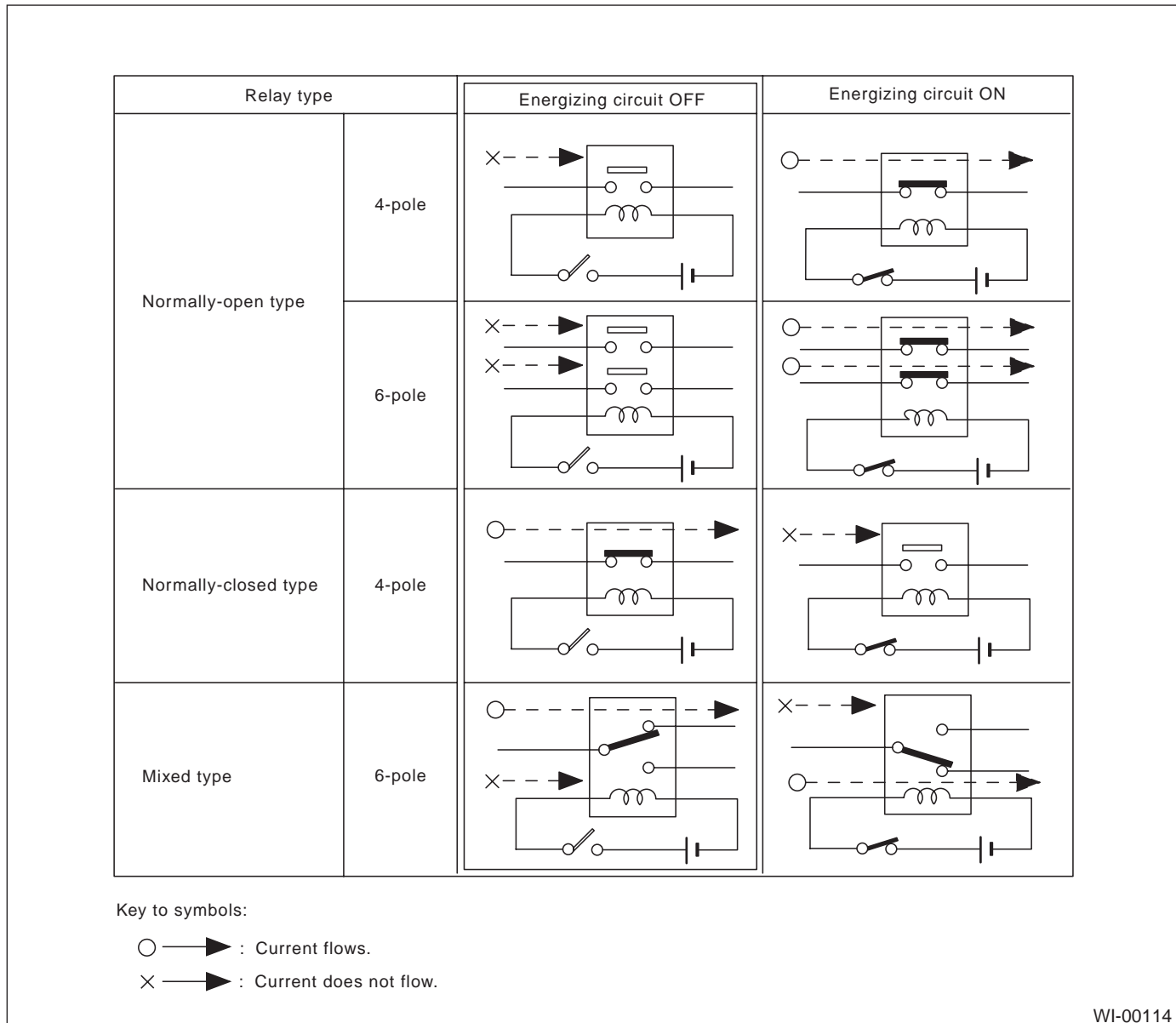


BASIC DIAGNOSTICS PROCEDURE

WIRING SYSTEM

- Relays are classified as normally-open or normally-closed. The normally-closed relay has one or more contacts.

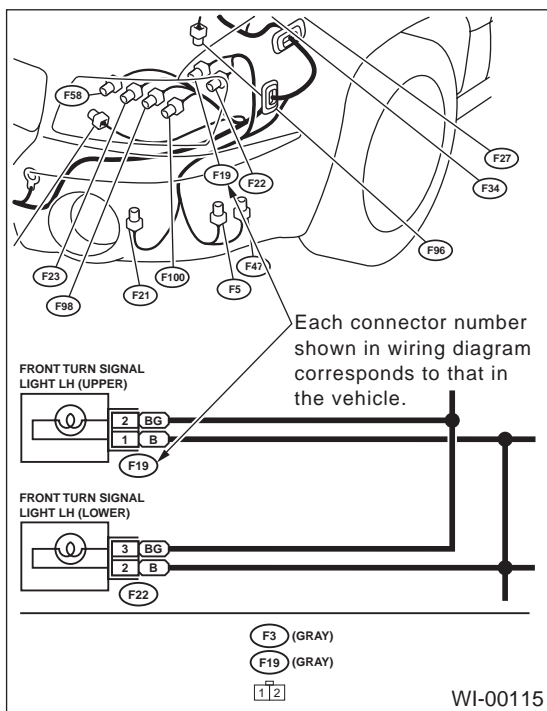
The wiring diagram shows the relay mode when the energizing circuit is OFF.



BASIC DIAGNOSTICS PROCEDURE

- Each connector number shown in the wiring diagram corresponds to that in the wiring harness. The location of each connector in the actual vehicle is determined by reading the first character of the connector (for example, a "F" for F8, "i" for i16, etc.) and the type of wiring harness. The first character of each connector number refers to the area or system of the vehicle.

Symbol	Wiring harness and cord
F	Front wiring harness
B	Bulkhead wiring harness
E	Engine wiring harness
T	Transmission cord, Rear oxygen sensor cord
D	Door cord LH & RH, Rear door cord LH & RH, Rear gate cord
i	Instrument panel wiring harness
R	Rear wiring harness, Fuel tank cord, Roof cord, On refueling vapor recovery cord

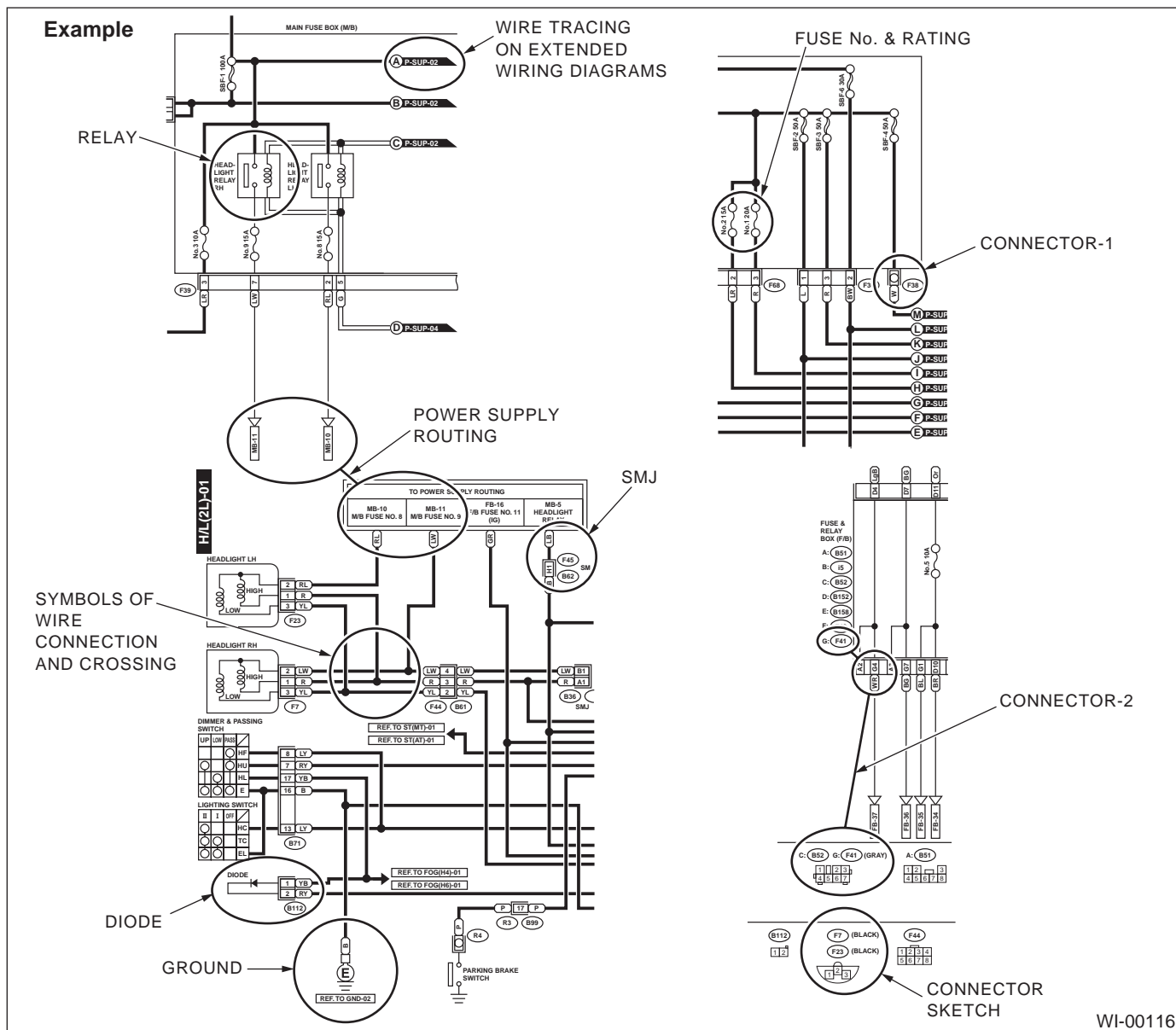


BASIC DIAGNOSTICS PROCEDURE

WIRING SYSTEM

D: SYMBOLS IN WIRING DIAGRAMS

A number of symbols are used in each wiring diagram to easily identify parts or circuits.



1. RELAY

A symbol used to indicate a relay.

2. CONNECTOR-1

The sketch of the connector indicates the one-pole types.

3. WIRING CONNECTION

Some wiring diagrams are indicated in foldouts for convenience. Wiring destinations are indicated where necessary by corresponding symbols (as when two pages are needed for clear indication).

4. FUSE NO. & RATING

The "FUSE No. & RATING" corresponds with that used in the fuse box (main fuse box, fuse and joint box).

5. CONNECTOR-2

- Each connector is indicated by a symbol.
- Each terminal number is indicated in the corresponding wiring diagram in an abbreviated form.
- For example, terminal number "C2" refers to No. 2 terminal of connector (C: F41) shown in the connector sketch.

6. CONNECTOR SKETCH

- Each connector sketch clearly identifies the shape and color of a connector as well as terminal locations. Non-colored connectors are indicated in natural color.
- When more than two types of connector number are indicated in a connector sketch, it means that the same type connectors are used.

7. GROUND

Each grounding point can be located easily by referring to the corresponding wiring harness.

8. DIODE

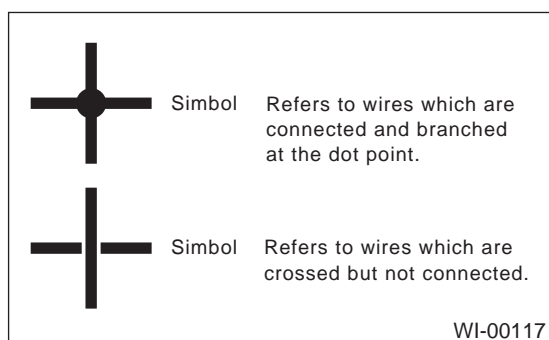
A symbol is used to indicate a diode.

9. WIRE TRACING ON EXTENDED WIRING DIAGRAMS

For a wiring diagram extending over at least two pages, a symbol (consisting of the same characters with arrows), facilitates wire tracing from one page to the next.

A ↔ A, B ↔ B

10. SYMBOLS OF WIRE CONNECTION AND CROSSING



11. POWER SUPPLY ROUTING

A symbol is used to indicate the power supply in each wiring diagram.

“MB-5”, “MB-6”, etc., which are used as power-supply symbols throughout the text, correspond with those shown in the POWER SUPPLY ROUTING in the wiring diagram.

Accordingly, using the POWER SUPPLY ROUTING and wiring diagrams permits service personnel to understand the entire electrical arrangement of a system.

12. CLASSIFICATION BY SPECIFICATION

When wiring diagrams differ according to vehicle specifications, the specification difference is described by using abbreviations.

E: ABBREVIATION IN WIRING DIAGRAMS

Abbr.	Full name
ABS	Antilock Brake System
ACC	Accessory
A/C	Air Conditioning
AD	Auto Down
A/S	Air suspension
AT	Automatic Transmission
AU	Auto Up
A/B	Air Bag
A/F	Air Fuel
ATF	Automatic Transmission Fluid
AWD	All Wheel Drive
B	Battery
D	Drive Range
DN	Down
E	Ground
ELR	Emergency Locking Retractor
F/B	Fuse & Joint Box
FL1.5	Fusible link 1.5 mm ²
FPC	Fuel pump control module
H/L	Head Light
I/F	Interface
IG	Ignition
Illumi.	Illumination
INT	Intermittent
L/C	Low Clutch
LCD	Liquid Crystal Display
LH	Left Hand
Lo	Low
M	Motor
M/B	Main Fuse Box
MG	Magnet
Mi	Middle
MT	Manual Transmission
N	Neutral Range
OP	Optional Parts
P	Parking range
PASS	Passing
R	Reverse Range
RH	Right Hand
SBF	Slow Blow Fuse
ST	Starter
SW	Switch
UP	Up
WASH	Washer

WORKING PRECAUTIONS

WIRING SYSTEM

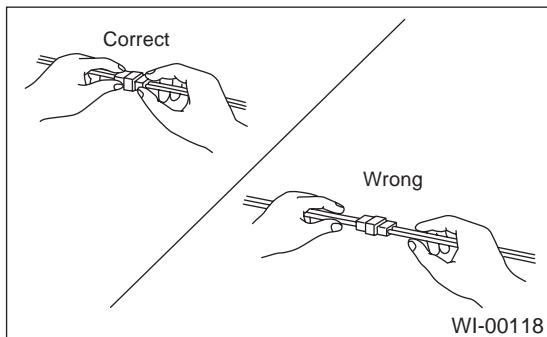
2. Working Precautions

A: PRECAUTIONS WHEN WORKING WITH THE PARTS MOUNTED ON THE VEHICLE

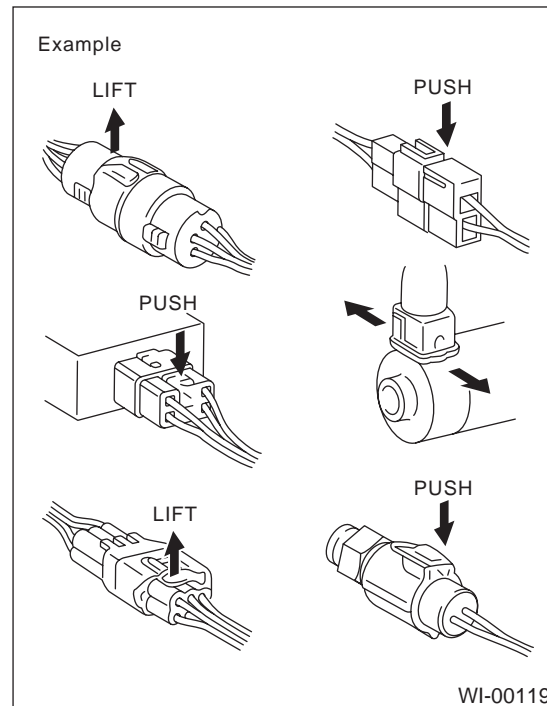
- 1) When working under a vehicle which is jacked-up, always be sure to use safety stands.
- 2) The parking brake must always be applied during working. Also, in automatic transmission vehicles, keep the select lever set to the P (Parking) range.
- 3) Be sure the workshop is properly ventilated when running the engine. Further, be careful not to touch the belt or fan while the engine is operating.
- 4) Be careful not to touch hot metal parts, especially the radiator and exhaust system immediately after the engine has been shut off.

B: PRECAUTIONS IN TROUBLE DIAGNOSIS AND REPAIR OF ELECTRIC PARTS

- 1) The battery cable must be disconnected from the battery's (-) terminal, and the ignition switch must be set to the OFF position, unless otherwise required by the diagnostics.
- 2) Securely fasten the wiring harness with clamps and slips so that the harness does not interfere with the body end parts or edges and bolts or screws.
- 3) When installing parts, be careful not to catch them on the wiring harness.
- 4) When disconnecting a connector, do not pull the wires, but pull while holding the connector body.

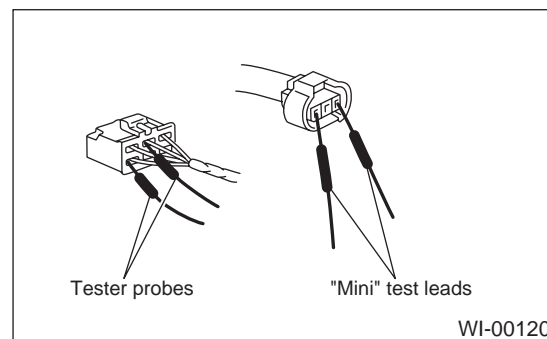


- 5) Some connectors are provided with a lock. One type of such a connector is disconnected by pushing the lock, and the other, by moving the lock up. In either type the lock shape must be identified before attempting to disconnect the connector. To connect, insert the connector until it snaps and confirm that it is tightly connected.



- 6) When checking continuity between connector terminals, or measuring voltage across the terminal and ground, always contact tester probe(s) on terminals from the wiring connection side. If the probe is too thick to gain access to the terminal, use "mini" test leads.

To check water-proof connectors (which are not accessible from the wiring side), contact test probes on the terminal side being careful not to bend or damage the terminals.



- 7) Sensors, relays, electrical unit, etc., are sensitive to strong impacts. Handle them with care so that they are not dropped or mishandled.

SUPER MULTIPLE JUNCTION (SMJ)

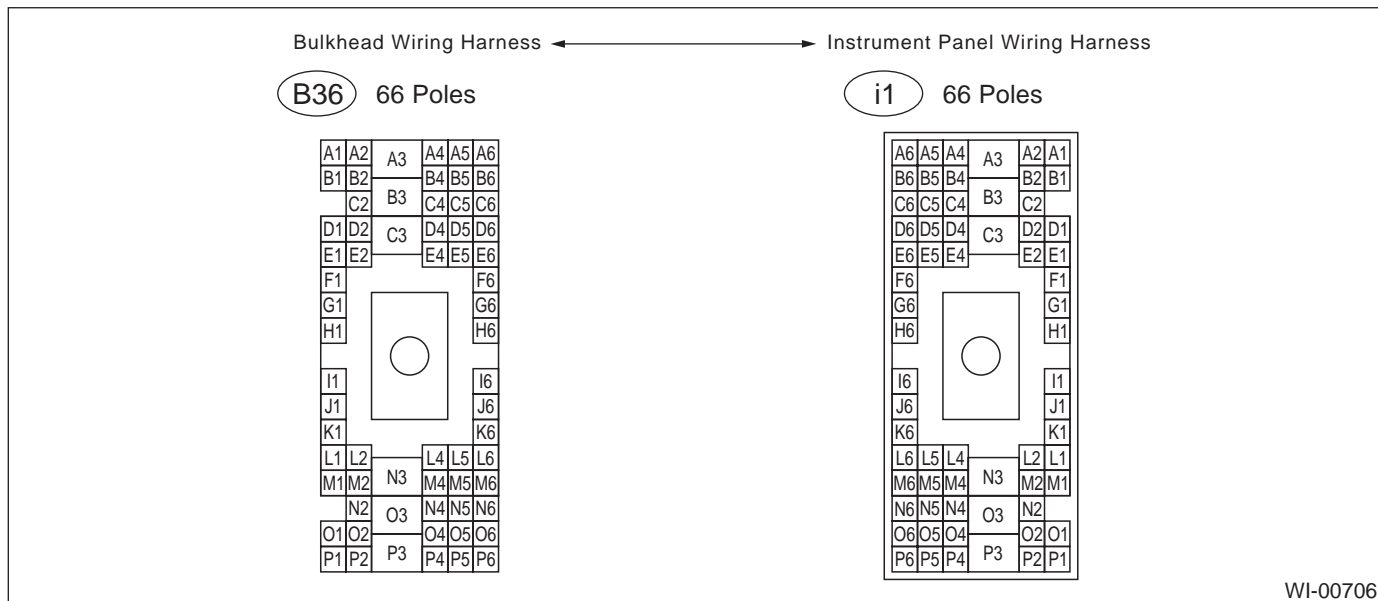
WIRING SYSTEM

3. Super Multiple Junction (SMJ)

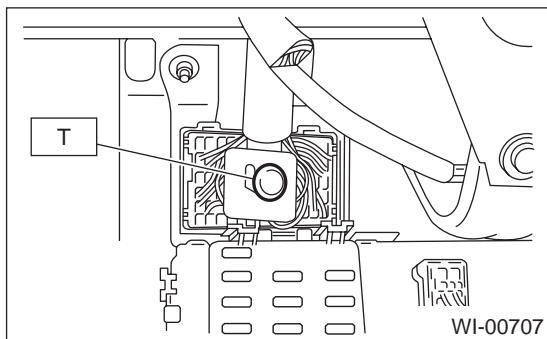
A: HOW TO USE SUPER MULTIPLE JUNCTION (SMJ)

The "SMJ" indicated in wiring diagrams is shown in a simplified form.

B: TERMINAL ARRANGEMENT



C: INSTALLATION



Tightening torque:

T: 4.4 N·m (0.45 kgf·m, 3.3 ft·lb)

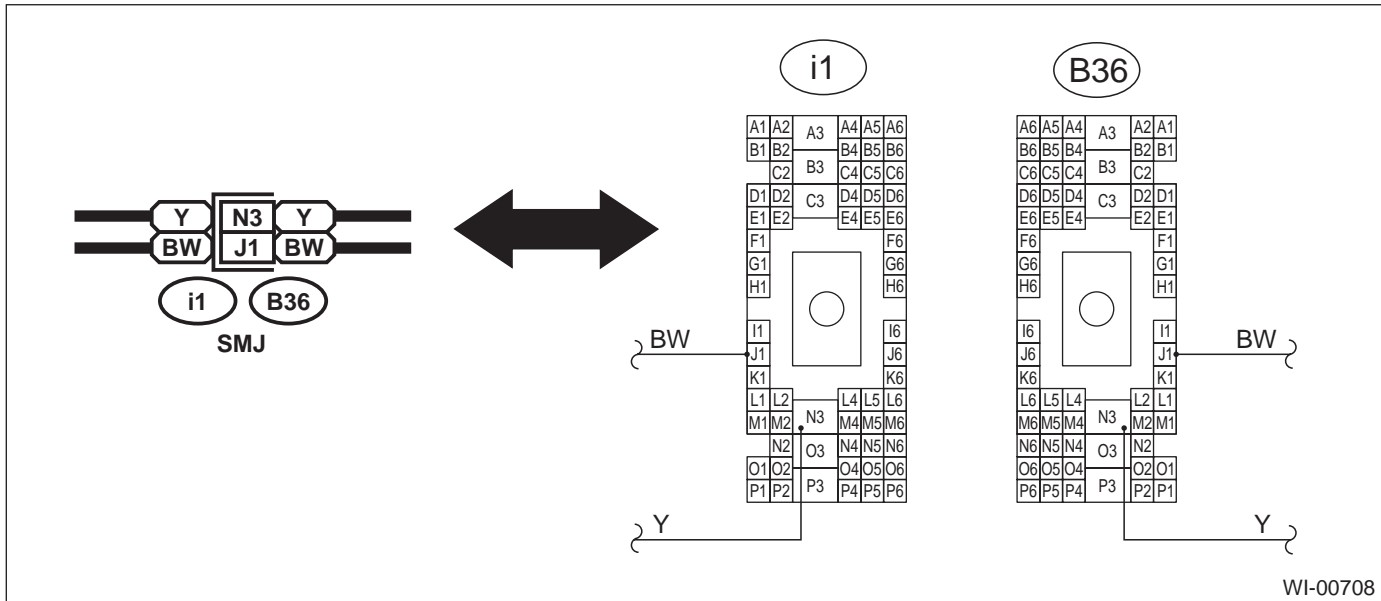
NOTE:

- Align the cutout portion of one connector with that of other before tightening the connecting bolt.
- Do not tighten the bolt excessively since this may deform the connectors.

SUPER MULTIPLE JUNCTION (SMJ)

WIRING SYSTEM

D: EXPLANATION OF SMJ SHOWN IN THE WIRING DIAGRAM



SUPER MULTIPLE JUNCTION (SMJ)

WIRING SYSTEM

MEMO:

POWER SUPPLY ROUTING

WIRING SYSTEM

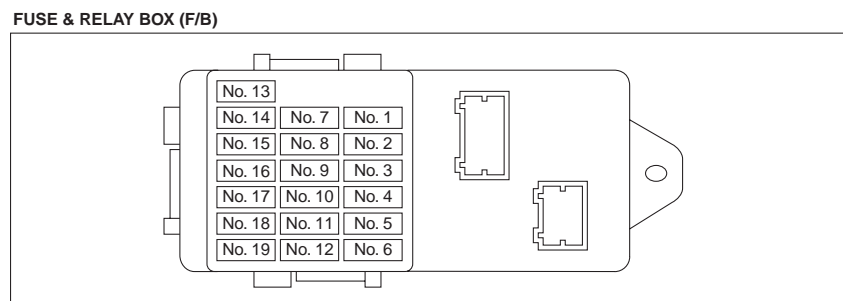
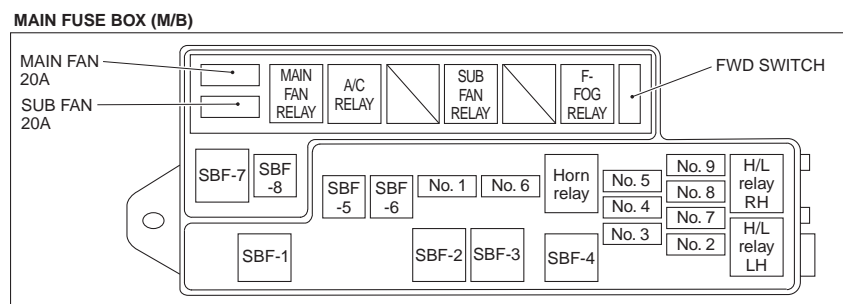
4. Power Supply Routing

A: SCHEMATIC

1. 4-CYLINDER ENGINE MODEL

P-SUP(H4)-01

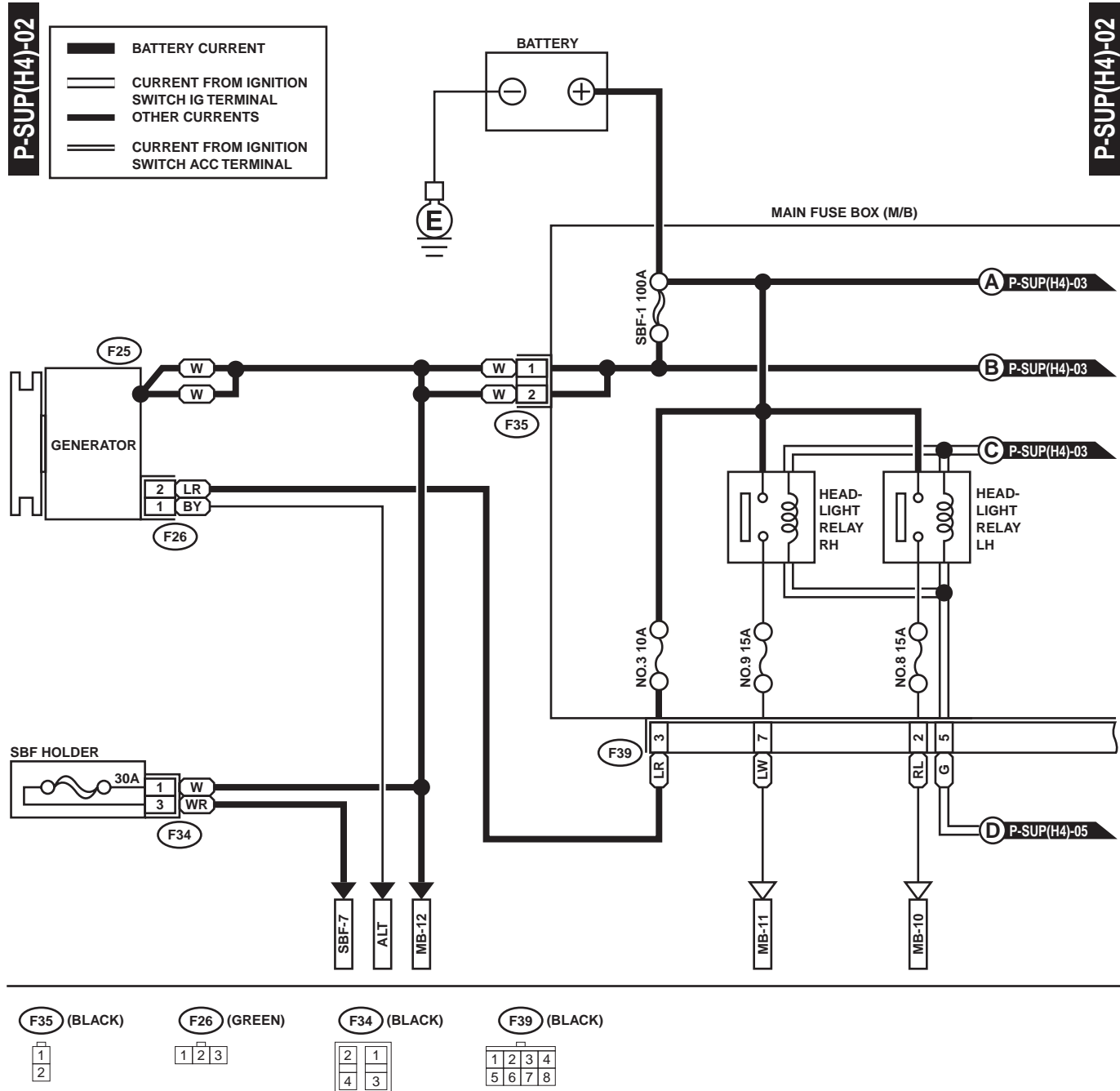
P-SUP(H4)-01



WI-00504

POWER SUPPLY ROUTING

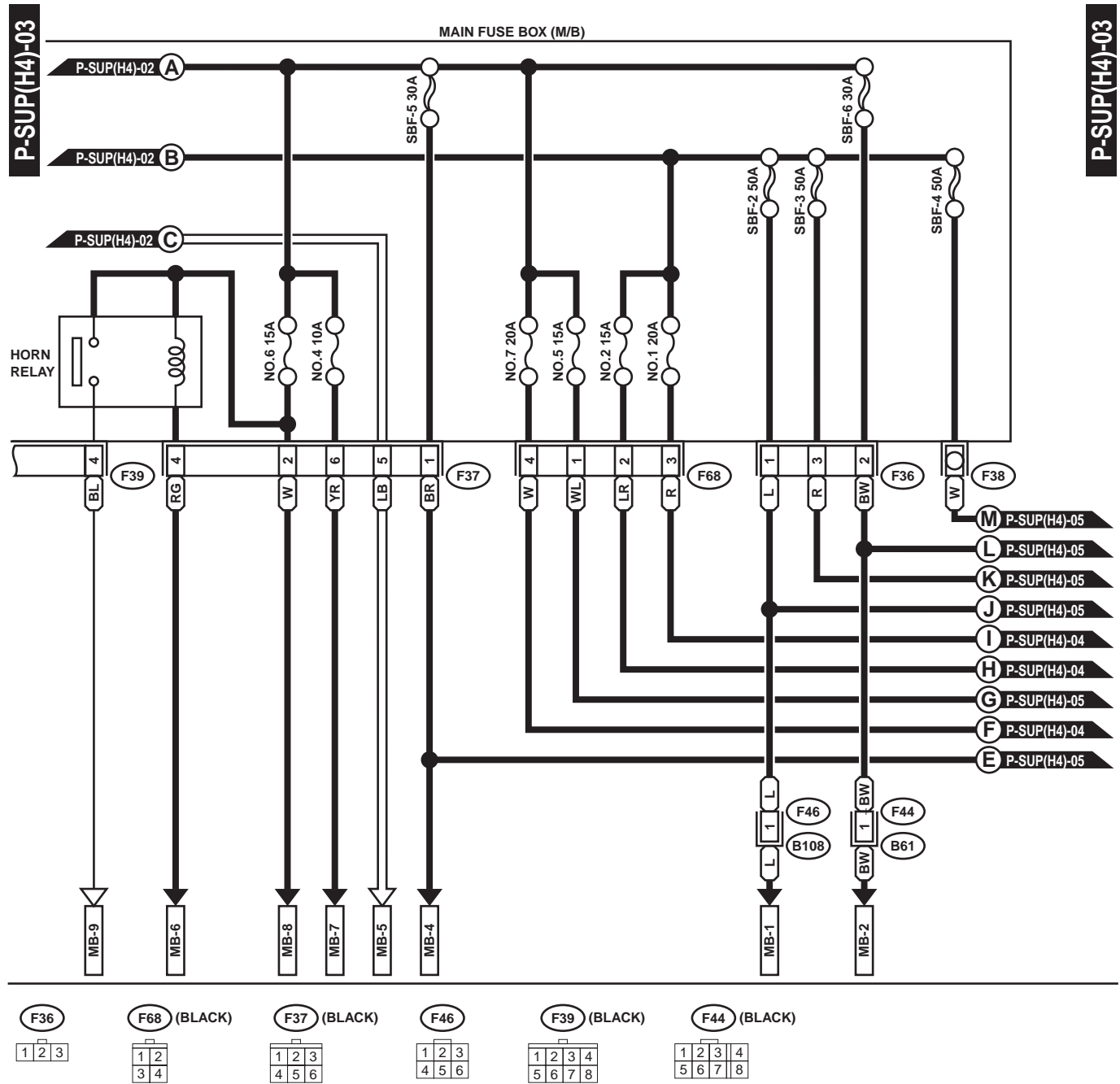
WIRING SYSTEM



WI-01055

POWER SUPPLY ROUTING

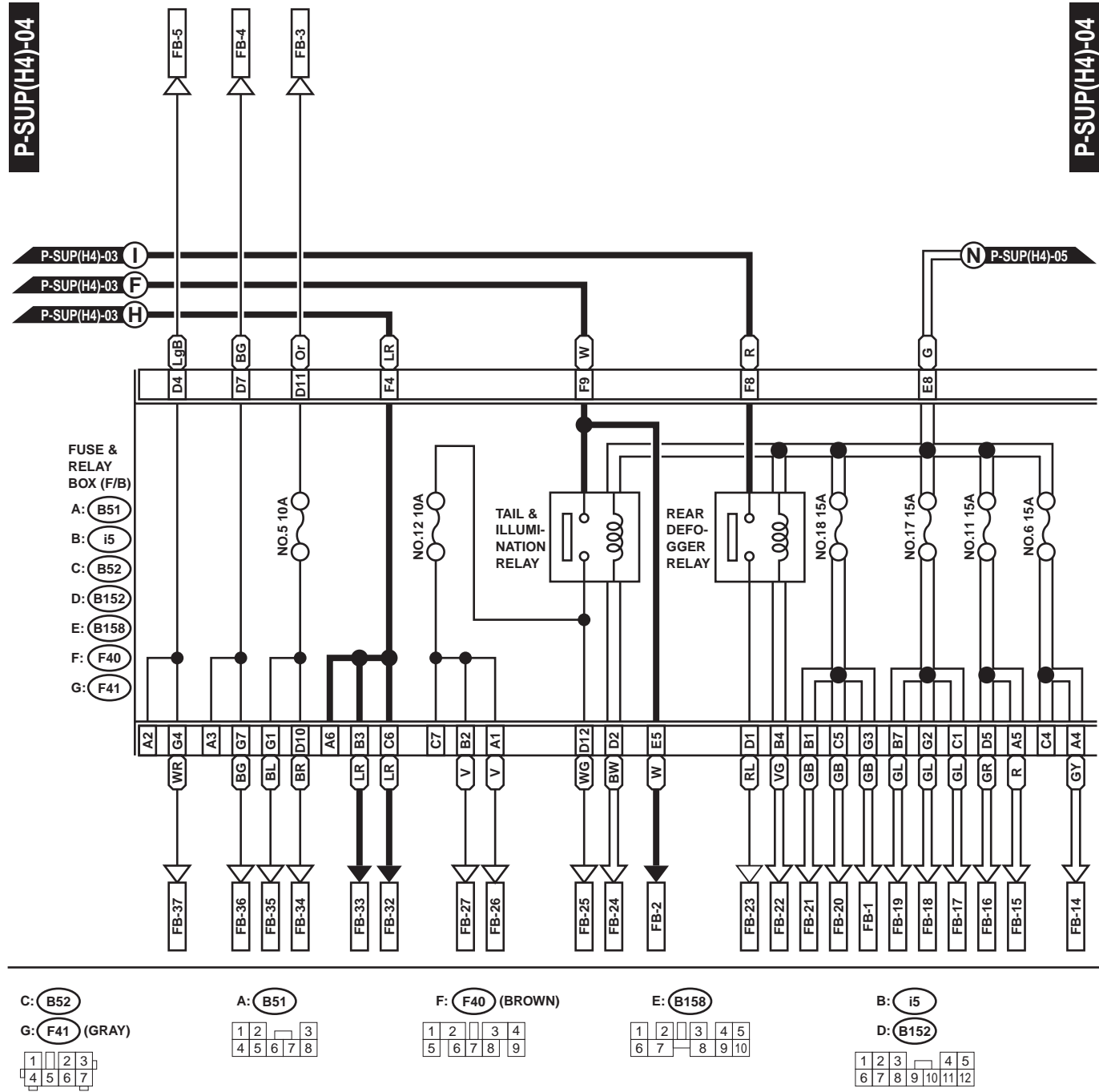
WIRING SYSTEM



WI-00506

POWER SUPPLY ROUTING

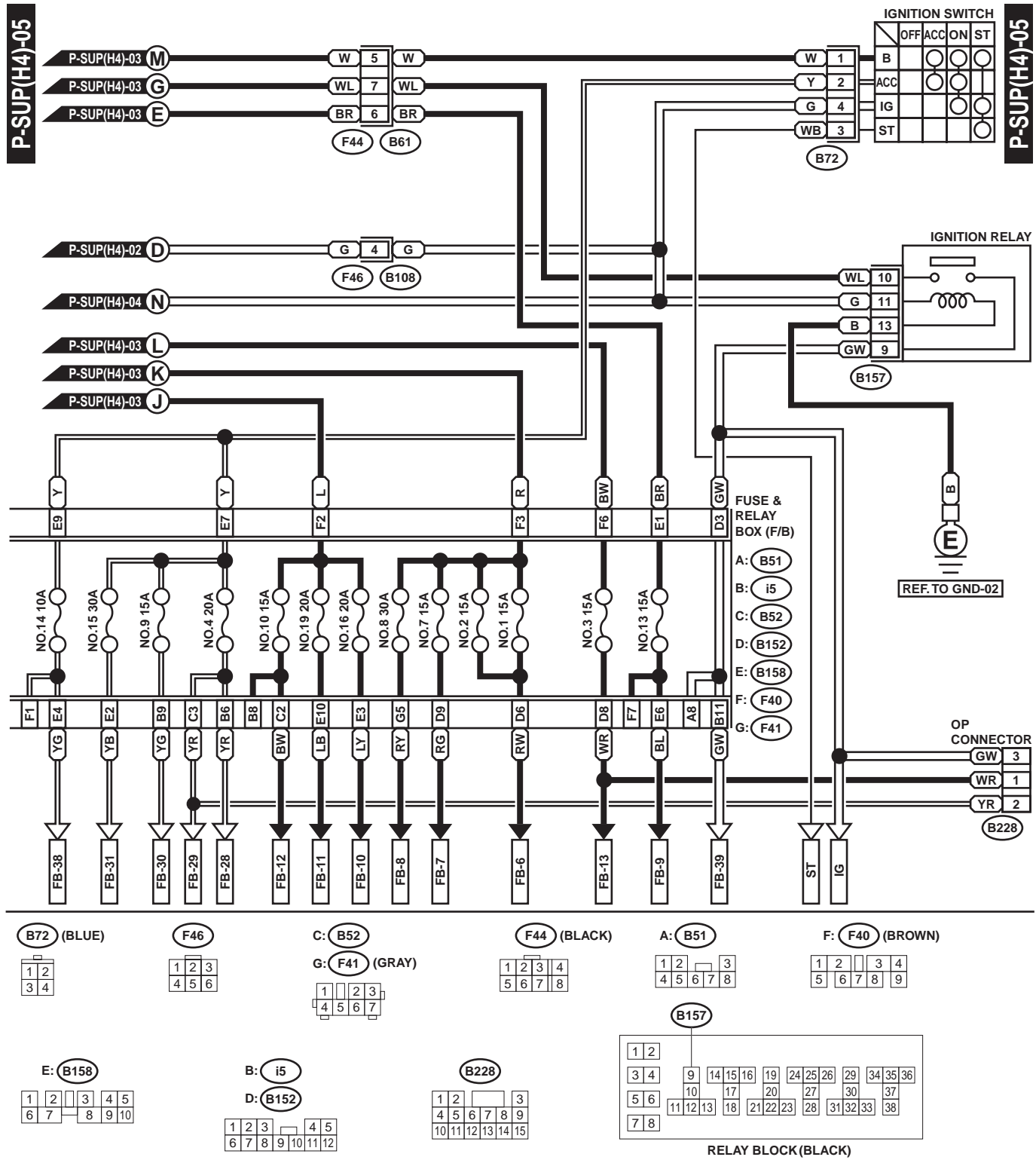
WIRING SYSTEM



WI-00507

POWER SUPPLY ROUTING

WIRING SYSTEM



WI-00508

POWER SUPPLY ROUTING

WIRING SYSTEM

No.	Load
MB-1	Cargo Light Fuse (Seat heater/rear accessory power supply relay)
MB-2	Power window circuit breaker
MB-4	Data link connector Engine control module Main relay
MB-5	Cruise control sub switch Day time running light control module OP connector
MB-6	Horn switch Keyless entry control module Security horn relay Sports shift switch
MB-7	Transmission control module (AT)
MB-8	Hazard switch Keyless entry control module Key warning switch Stop & turn module (Pick-up)
MB-9	Horn
MB-10	Headlight LH
MB-11	Combination meter Headlight RH
MB-12	A/C relay holder SBF holder
SBF-7	ABS control module
ALT	Combination meter OP connector
IG	Check connector Ignition relay-2 Keyless entry control module OP connector Security control module Vehicle speed sensor (MT)
ST	Cruise control module Engine control module (AT) Inhibitor switch (AT) Interrupt relay Starter interlock relay
FB-1	ABS control module Main fan relay
FB-2	Parking switch Security control module
FB-3	Parking switch Security control module
FB-4	Combination meter Combination switch (Lighting) Hazard switch Keyless entry control module Rear combination light Stop & turn module (Pick-up) Trailer connector (Wagon)

No.	Load
FB-5	Combination meter Combination switch (Lighting) Hazard switch Keyless entry control module Rear combination light Stop & turn module (Pick-up) Trailer connector (Wagon)
FB-6	Blower motor relay
FB-7	Front fog light relay
FB-8	ABS control module
FB-9	Fuel pump relay
FB-10	Stop light switch
FB-11	Baja light relay (Pick-up) Wiper deicer relay
FB-12	Trailer connector (Wagon) (Pick-up)
FB-13	Integrated module Keyless buzzer Keyless entry control module OP connector
FB-14	Airbag control module
FB-15	Airbag control module
FB-16	Daytime running light control module Daytime running light relay Engine control module Fuel pump relay Ignition coil and ignitor Integrated module Transmission control module
FB-17	A/C pressure switch Blower motor relay
FB-18	A/C relay Sub fan relay
FB-19	Auto A/C control module Manual A/C control module
FB-20	Back-up light switch (MT) Cruise control module Inhibitor switch (AT) Power window relay Wiper deicer relay
FB-21	Cruise control main switch
FB-22	Auto A/C control module Engine control module Manual A/C control module
FB-23	Choke coil Rear defogger Rear defogger condenser
FB-24	Combination switch (Lighting) Engine control module OP connector
FB-25	Parking switch
FB-26	AT select lever illumination light Integrated module OP connector Power window main switch Seat heater switch

POWER SUPPLY ROUTING

WIRING SYSTEM

No.	Load
FB-27	Audio Auto A/C control module Ashtray illumination light Baja light switch CD illumination light Cigar lighter illumination light Combination meter Cruise control main switch Front fog switch Globe box light Hazard switch Manual A/C control module VDC off switch Wiper deicer switch
FB-28	Auto A/C control module Front accessory power supply socket Multiple power socket relay (Option)
FB-29	Compass mirror Integrated module Mirror heater LH Mirror heater RH OP connector Rear accessory power supply relay Remote control rearview mirror switch Vanity mirror illumination light
FB-30	Audio
FB-31	Combination switch (Washer) Front washer motor Front wiper motor
FB-32	Combination meter Integrated module Key illumination light Key warning and step light diode Luggage room light Room light Security control module Security horn relay Stop light Step light Trunk room light
FB-33	Audio Auto A/C control module Combination meter
FB-34	License plate light LH License plate light RH Rear combination light LH Rear combination light RH Rear finisher light LH Rear finisher light RH Trailer connector (Wagon) (Pick-up)
FB-35	Front clearance light LH Front clearance light RH
FB-36	Front turn signal light LH (Up, Lo)
FB-37	Front turn signal light RH (Up, Lo)
FB-38	Rear washer motor Rear wiper intermittent module Rear wiper motor
FB-39	Combination meter Hazard switch

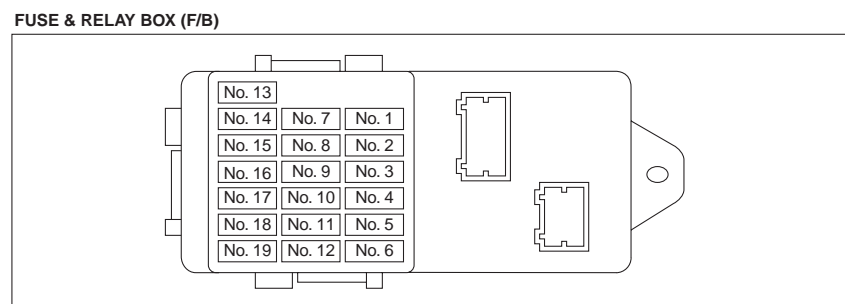
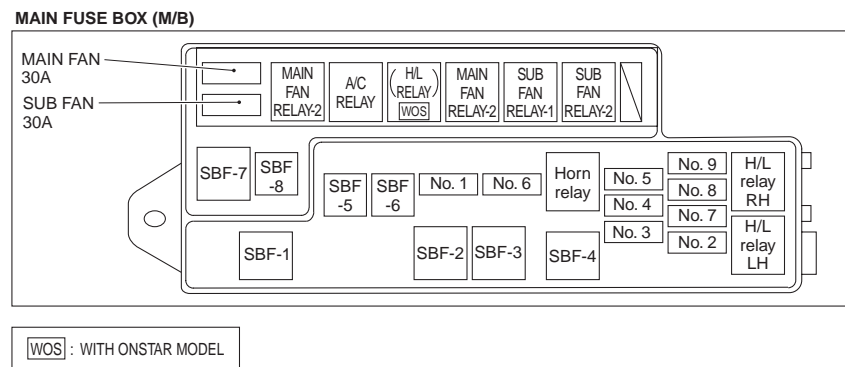
POWER SUPPLY ROUTING

WIRING SYSTEM

2. 6-CYLINDER ENGINE MODEL

P-SUP(H6)-01

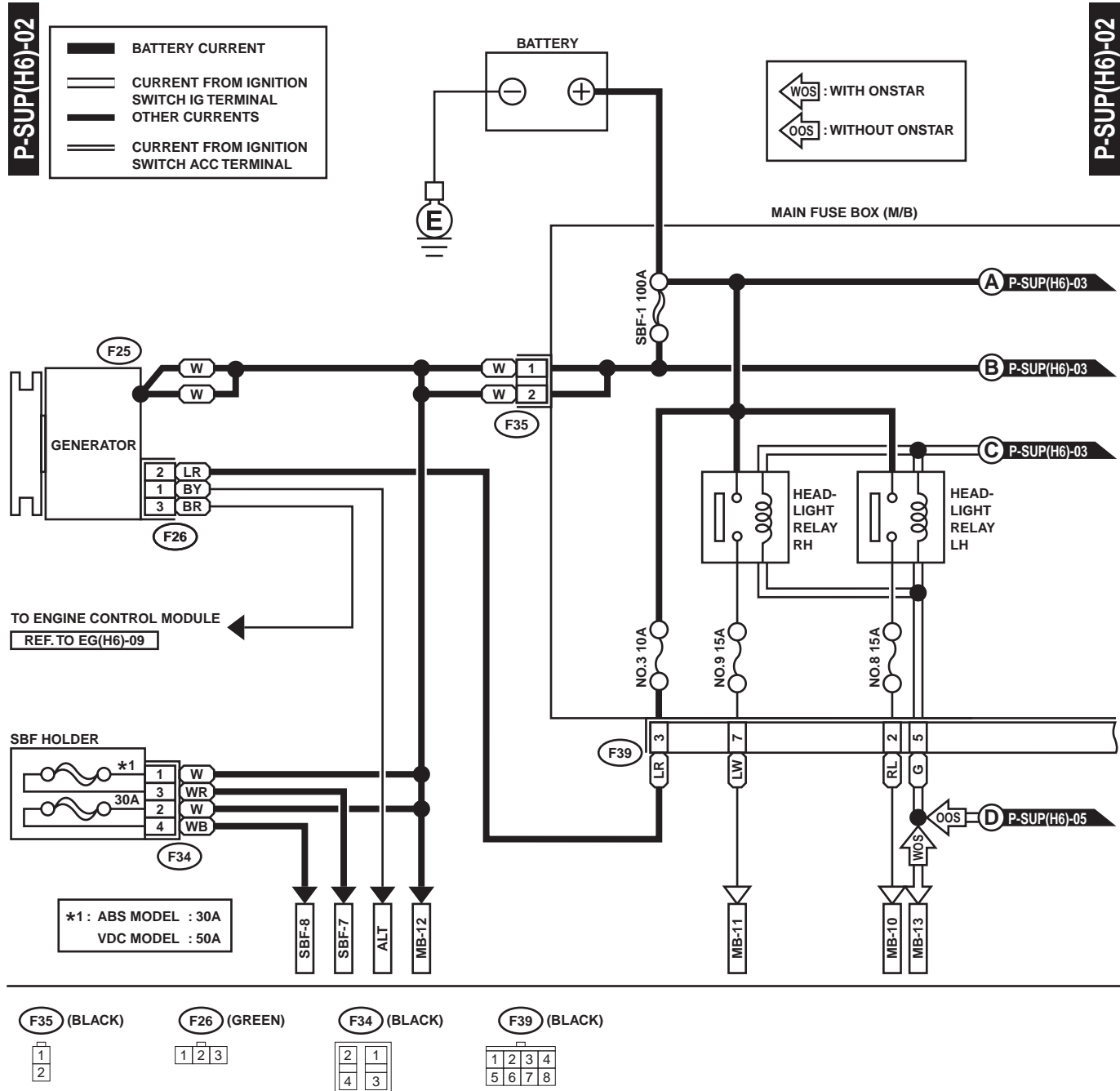
P-SUP(H6)-01



WI-00509

POWER SUPPLY ROUTING

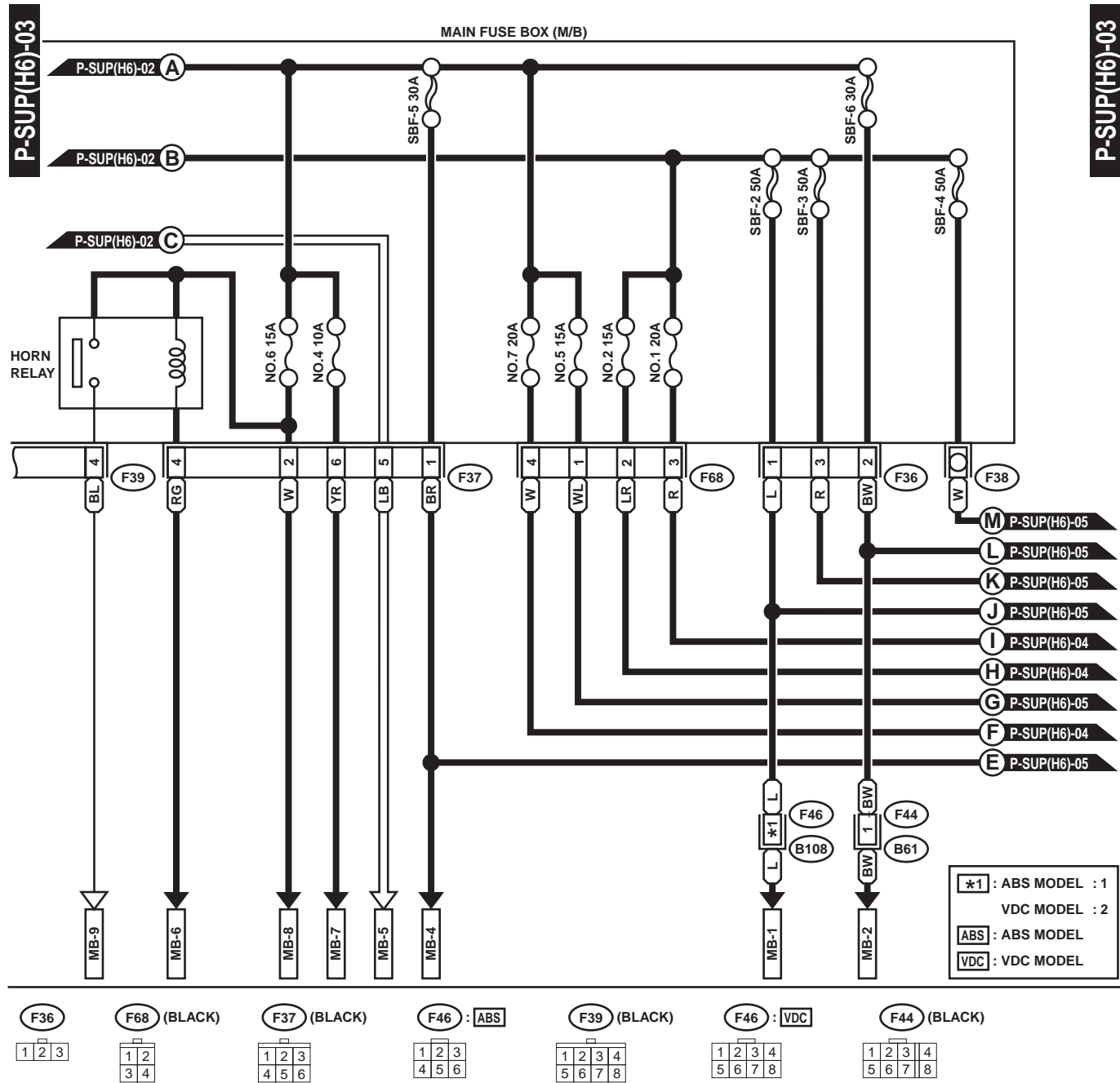
WIRING SYSTEM



WI-00510

POWER SUPPLY ROUTING

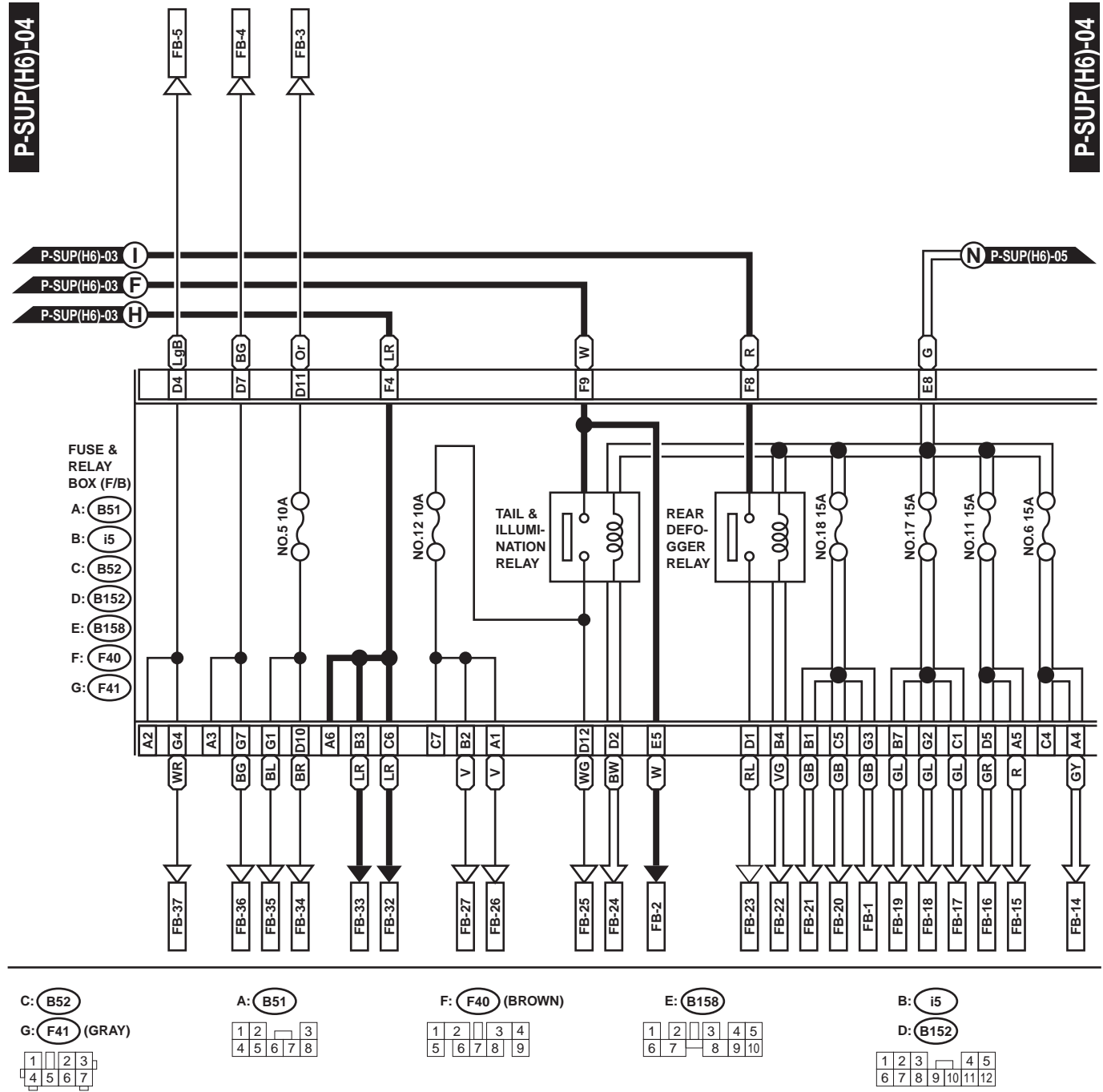
WIRING SYSTEM



WI-00511

POWER SUPPLY ROUTING

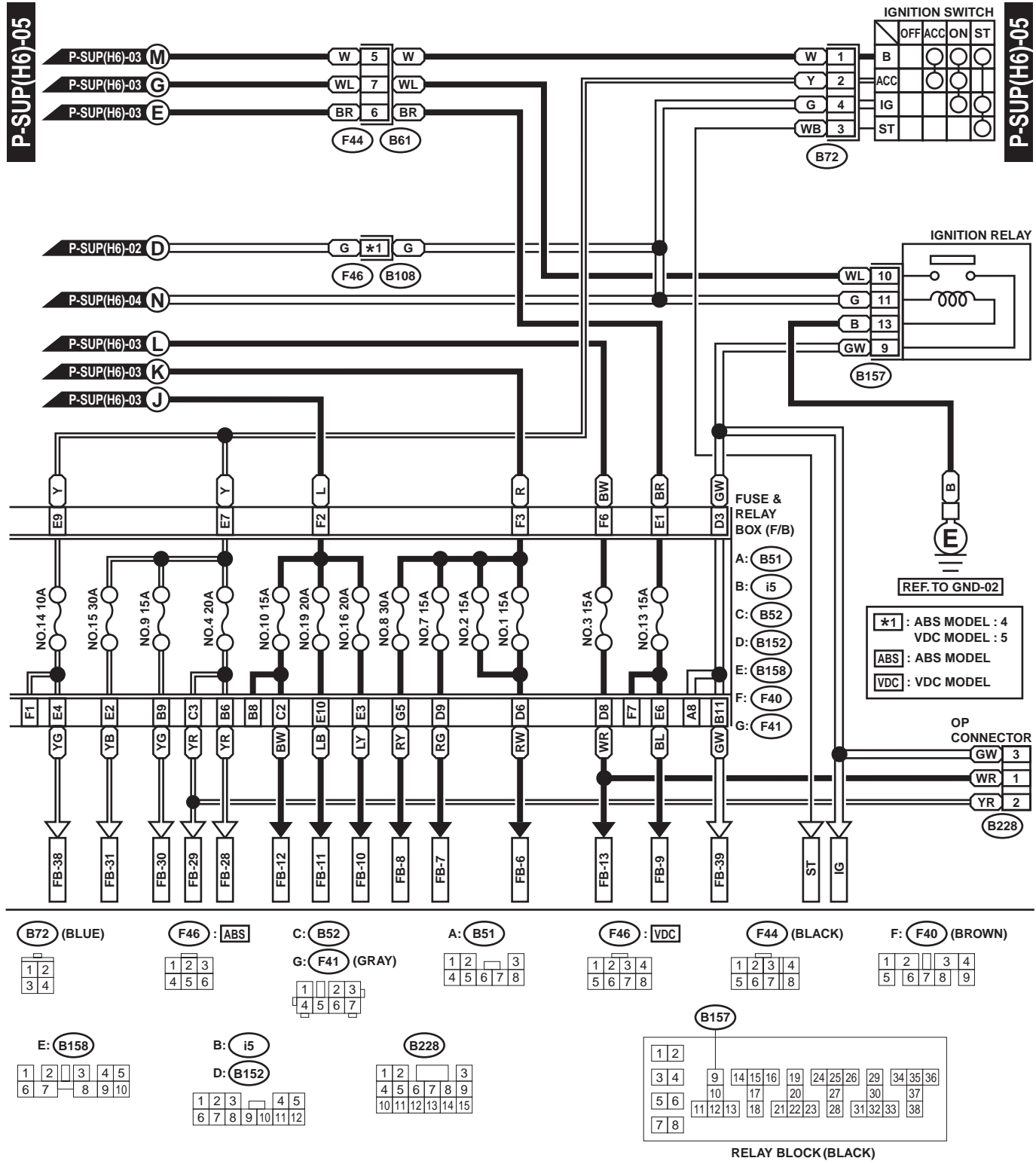
WIRING SYSTEM



WI-00512

POWER SUPPLY ROUTING

WIRING SYSTEM



WI-00513

POWER SUPPLY ROUTING

WIRING SYSTEM

No.	Load
MB-1	Relay box
MB-2	Power window circuit breaker
MB-4	Data link connector Engine control module Main relay
MB-5	Daytime running light control module Daytime running light diode OP connector
MB-6	Horn switch Keyless entry control module Security horn relay Vehicle interface module
MB-7	Transmission control module
MB-8	Hazard switch Keyless entry control module Key warning switch
MB-9	Horn
MB-10	Headlight LH
MB-11	Combination meter Headlight RH
MB-12	A/C relay holder SBF holder
MB-13	Onstar relay-2
SBF-7	ABS control module
SBF-8	Relay box (VDC)
ALT	Combination meter
IG	Check connector Ignition relay-2 Keyless entry control module Security control module
ST	Cruise control module Engine control module Inhibitor switch (AT) Interrupt relay (Onstar) Key switch
FB-1	ABS control module Main fan relay-1 Main fan relay-2 VDC module
FB-2	Parking switch Security control module
FB-3	Parking switch Security control module
FB-4	Combination meter Combination switch (Lighting) Hazard switch Keyless entry control module Rear combination light LH Trailer connector (Wagon)
FB-5	Combination meter Combination switch (Lighting) Hazard switch Keyless entry control module Rear combination light RH Trailer connector (Wagon)
FB-6	Blower motor relay
FB-7	Front fog light relay

No.	Load
FB-8	ABS control module Relay box (VDC)
FB-9	Fuel pump relay Main fan relay-1
FB-10	Stop light switch
FB-11	Wiper deicer relay
FB-12	Trailer connector (Wagon)
FB-13	Integrated module Keyless buzzer Keyless entry control module OP connector
FB-14	Airbag control module
FB-15	Airbag control module
FB-16	Daytime running light control module Daytime running light relay Engine control module Fuel pump relay Ignition coil No. 1— 6 Integrated module Transmission control module
FB-17	A/C pressure switch Blower motor relay Fan relay
FB-18	A/C pressure switch Sub fan relay-1 Sub fan relay-2
FB-19	Auto A/C control module Manual A/C control module Vehicle interface module
FB-20	Cruise control module Inhibitor switch (AT) Power window relay Wiper deicer relay
FB-21	Cruise control main switch
FB-22	Auto A/C control module Engine control module
FB-23	Rear defogger Rear defogger condenser
FB-24	Combination switch (Lighting) Engine control module OP connector
FB-25	Parking switch
FB-26	AT select lever illumination light Integrated module Seat heater switch OP connector Power window main switch

POWER SUPPLY ROUTING

WIRING SYSTEM

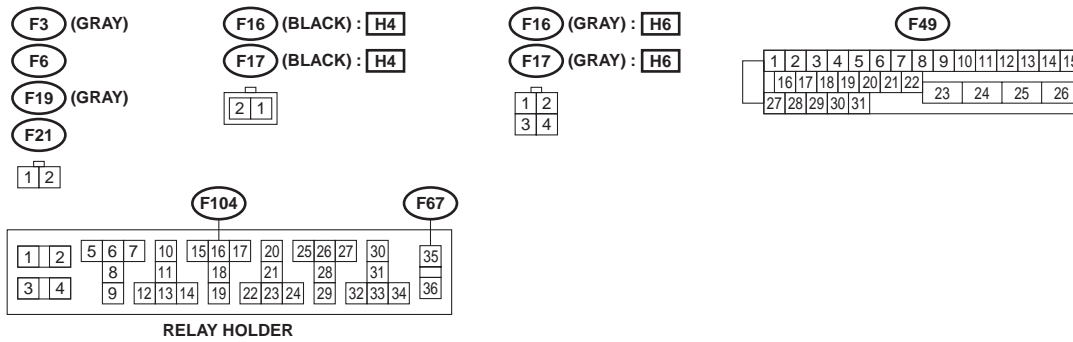
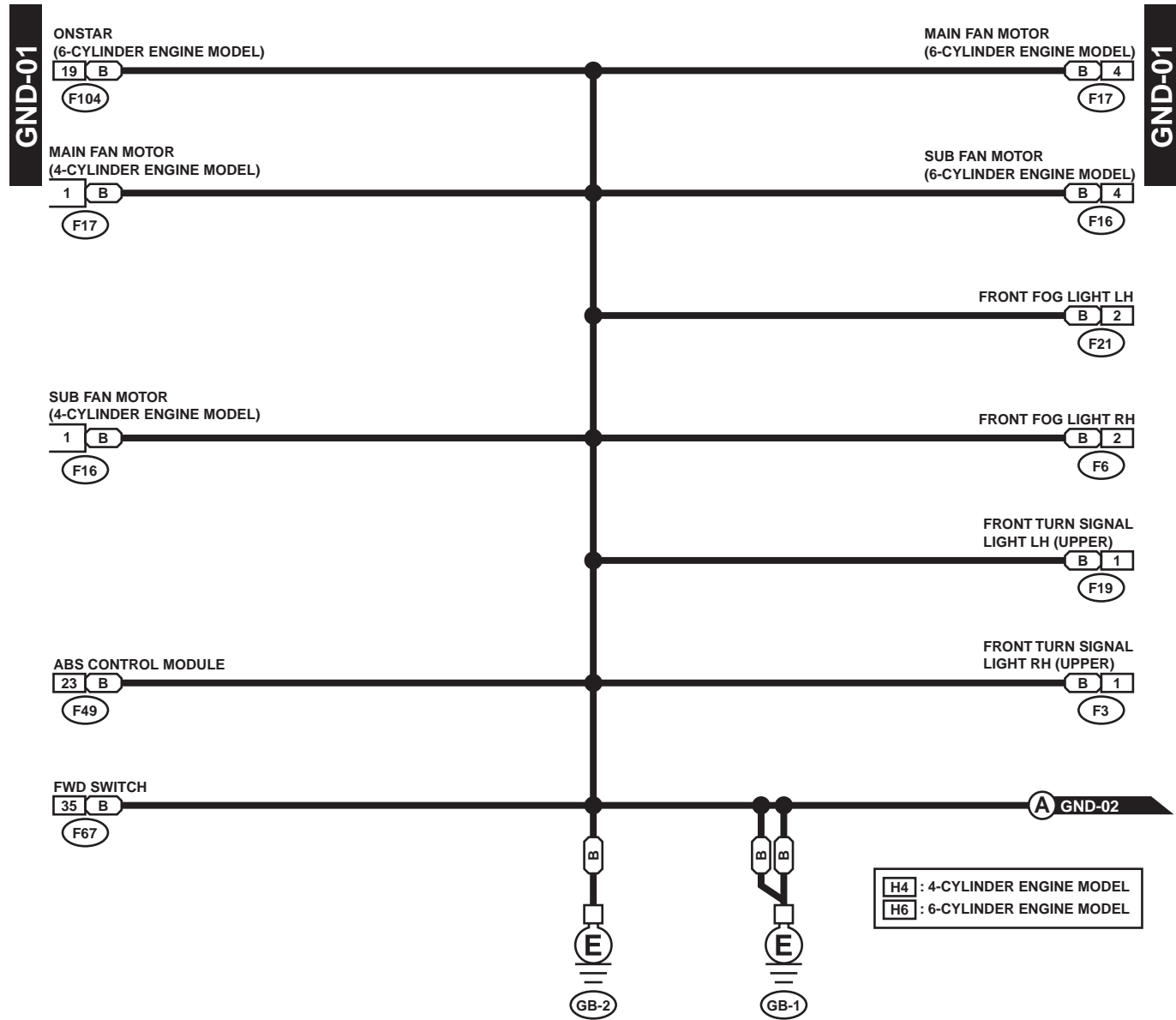
No.	Load
FB-27	Audio Auto A/C control module Ashtray illumination light CD illumination light Cigar lighter illumination light Combination meter Cruise control main switch Front fog light switch Glove box light Hazard switch Manual A/C control module Wiper deicer switch
FB-28	Auto A/C control module Front accessory power supply relay Multiple power socket relay (Option)
FB-29	Compass mirror Integrated module Mirror heater LH Mirror heater RH Remote control rearview mirror switch Rear accessory power supply relay Vanity mirror illumination light
FB-30	Audio Vehicle interface module
FB-31	Combination switch (Wiper) Front washer motor Front wiper motor
FB-32	Auto A/C control module Combination meter Key switch illumination light Integrated module Luggage room light Onstar relay Room light Security control module Security horn relay Spot light Step light Trunk room light
FB-33	Audio Auto A/C control module Combination meter Vehicle interface module
FB-34	License plate light LH License plate light RH Rear finisher light LH Rear finisher light RH Rear combination light LH Rear combination light RH Trailer connector (Wagon)
FB-35	Front clearance light LH Front clearance light RH
FB-36	Front turn signal light LH (Up, Lo)
FB-37	Front turn signal light RH (Up, Lo)
FB-38	Rear washer motor Rear wiper intermittent module Rear wiper motor
FB-39	Combination meter Hazard switch

GROUND DISTRIBUTION

WIRING SYSTEM

5. Ground Distribution

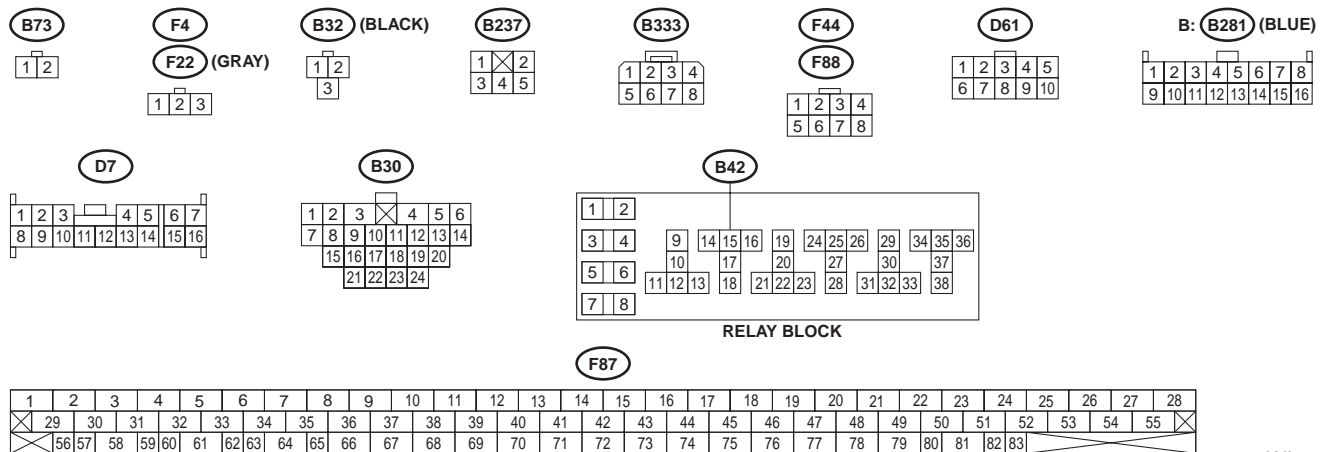
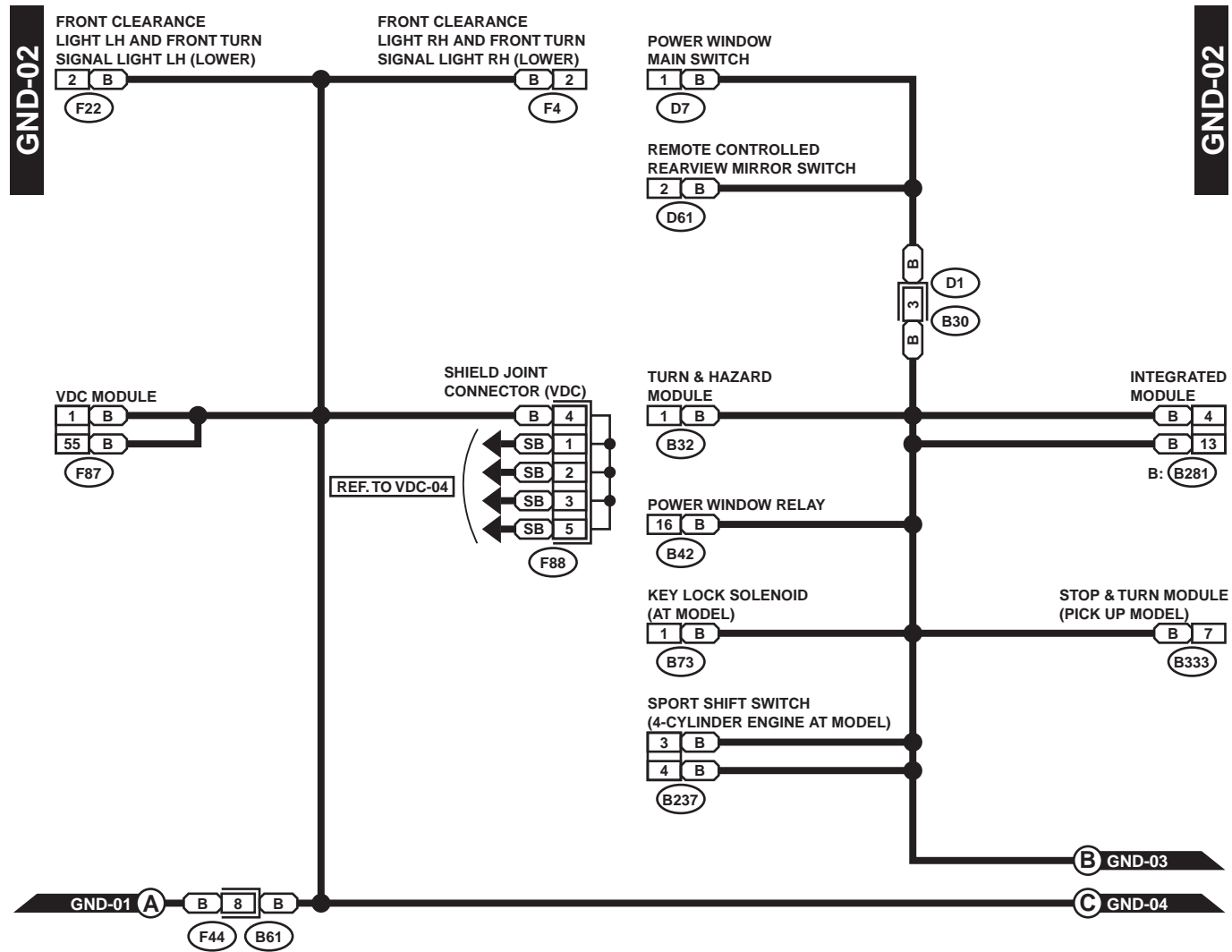
A: SCHEMATIC



WI-00514

GROUND DISTRIBUTION

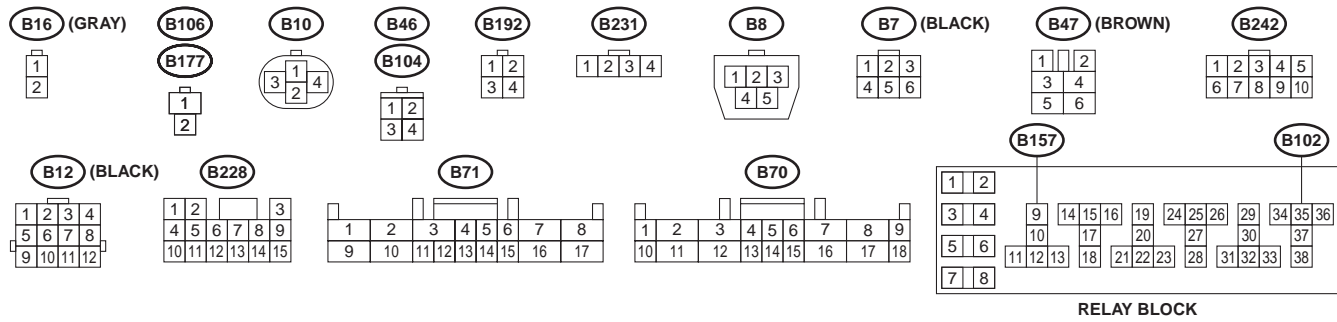
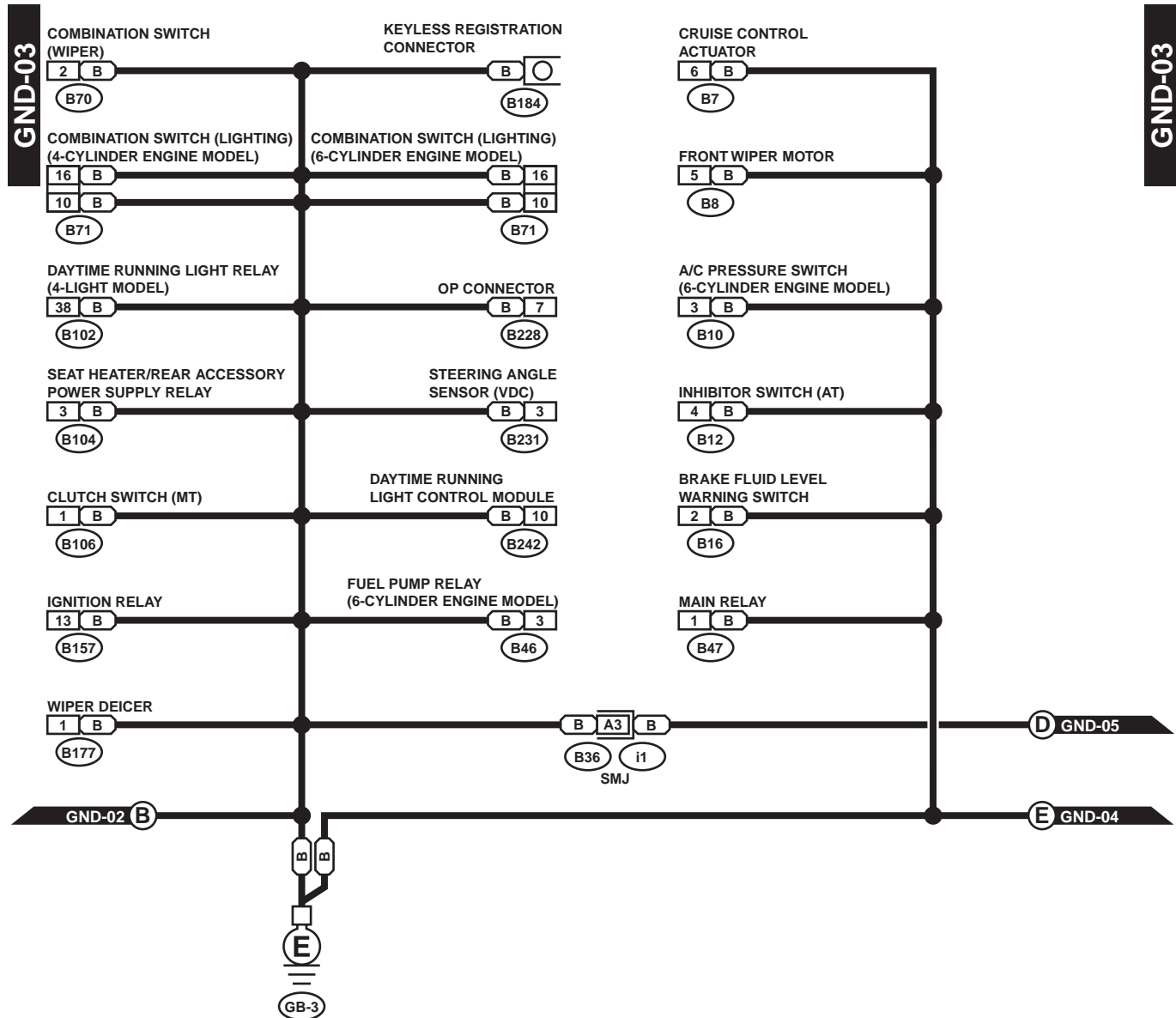
WIRING SYSTEM



WI-00515

GROUND DISTRIBUTION

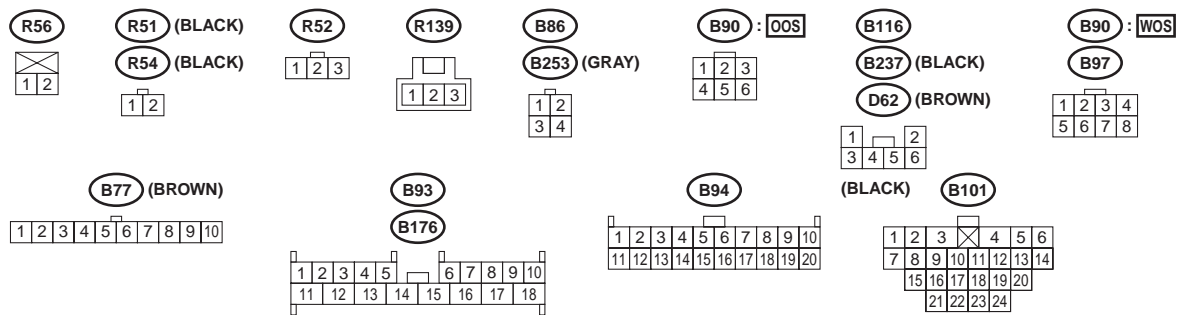
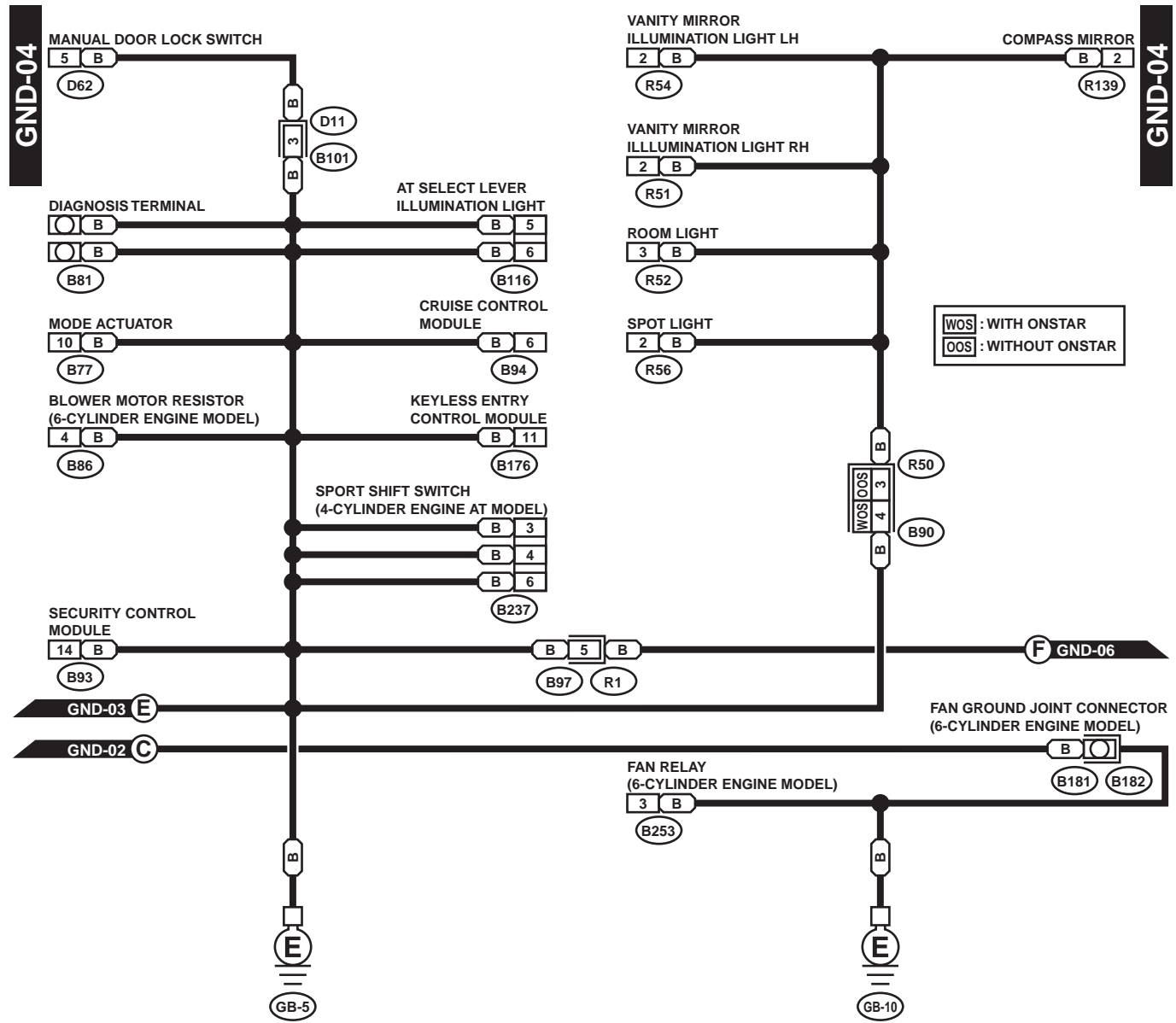
WIRING SYSTEM



WI-00516

GROUND DISTRIBUTION

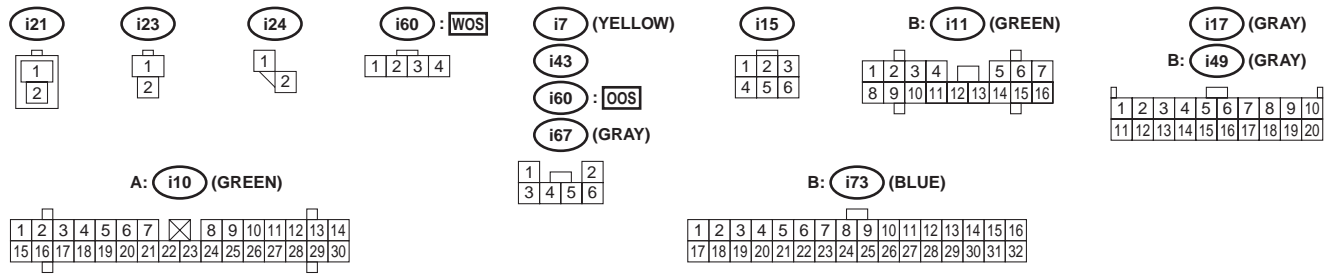
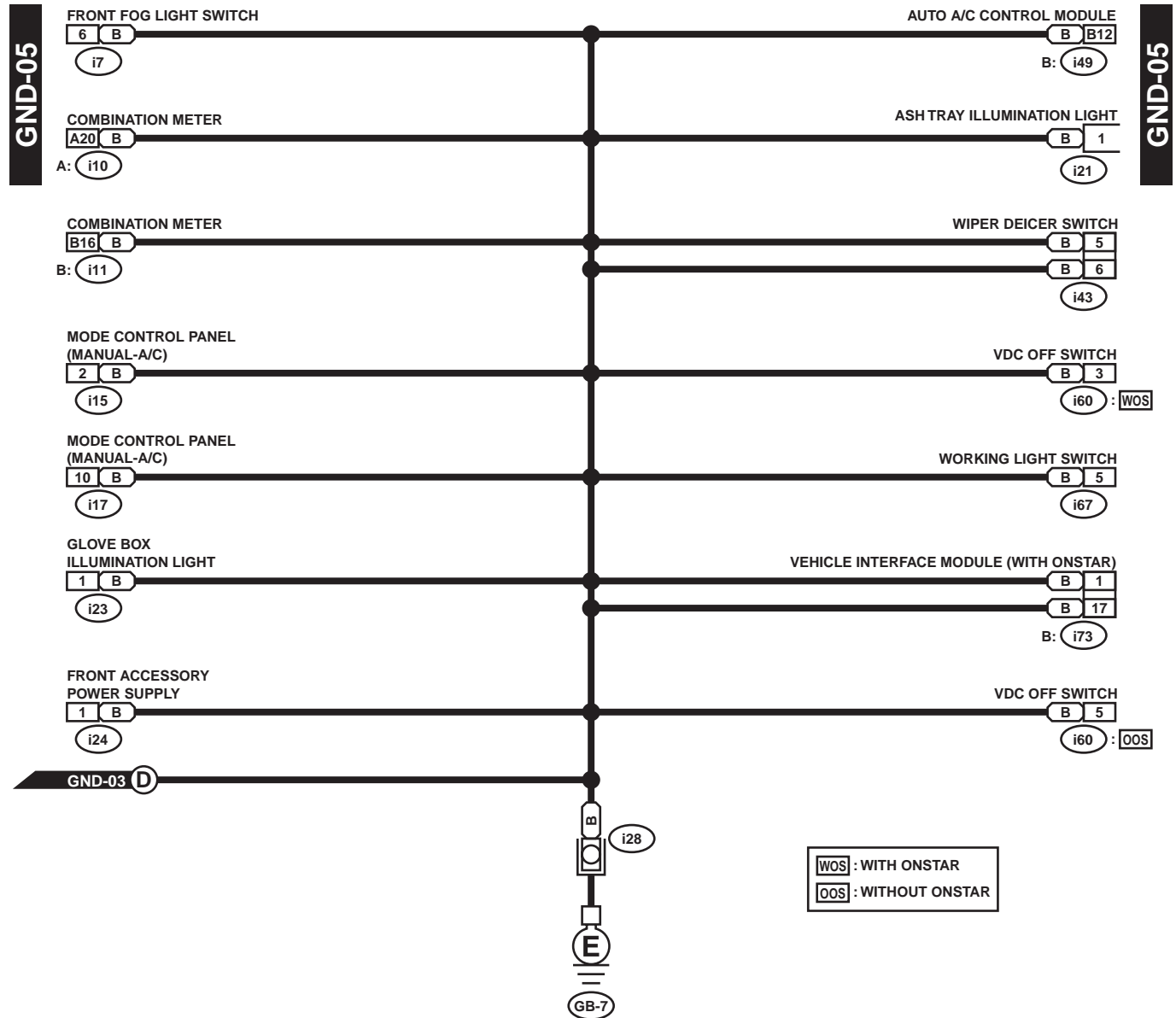
WIRING SYSTEM



WI-00517

GROUND DISTRIBUTION

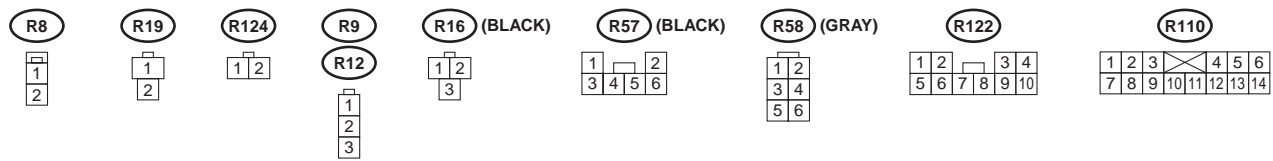
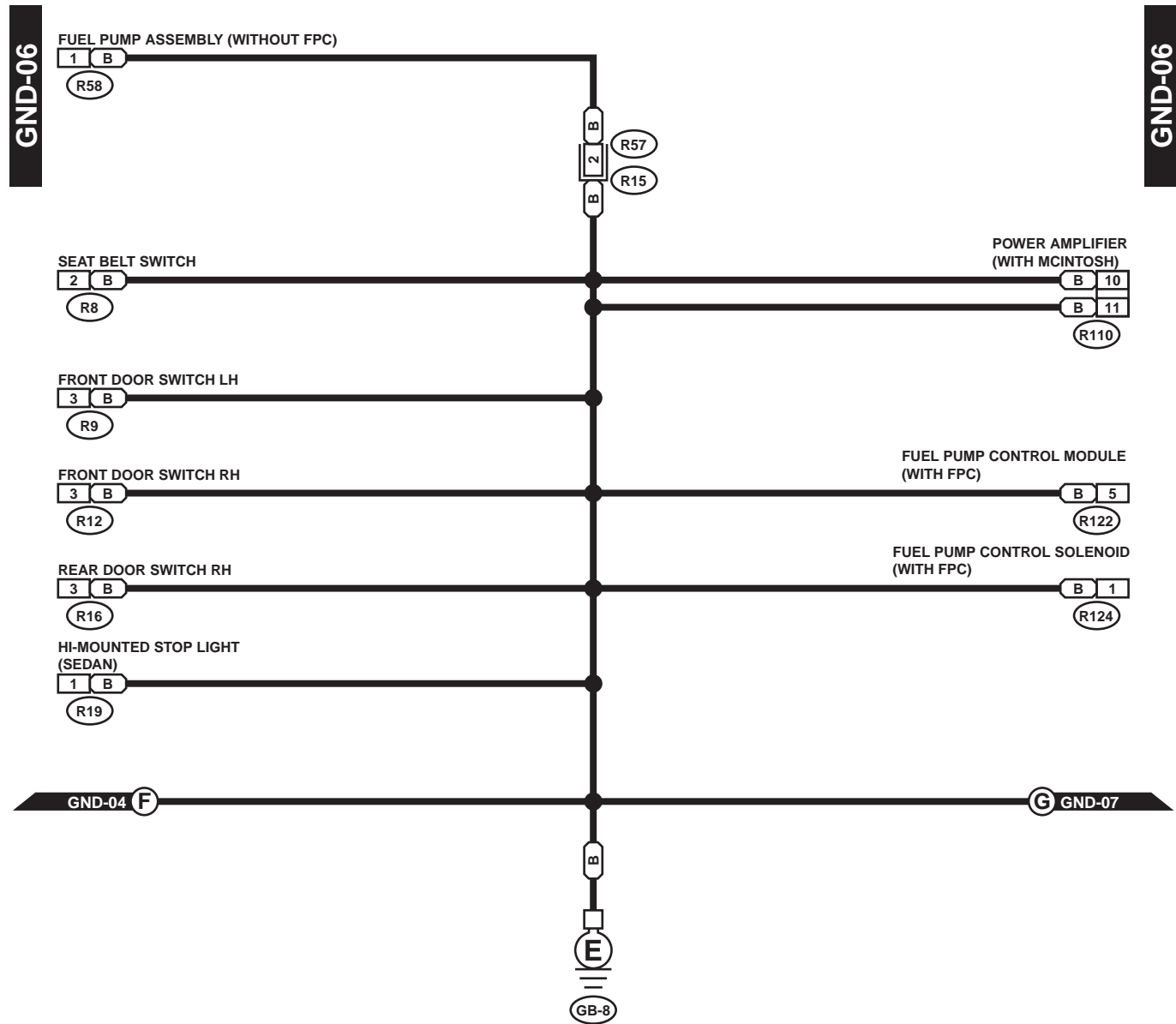
WIRING SYSTEM



WI-00518

GROUND DISTRIBUTION

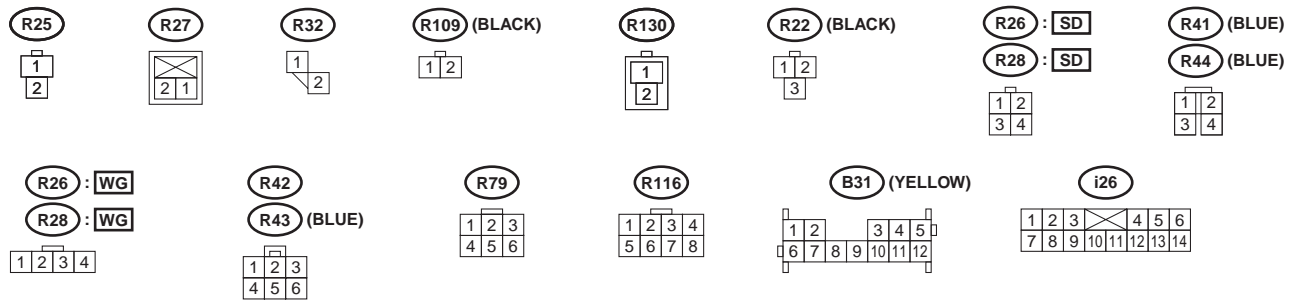
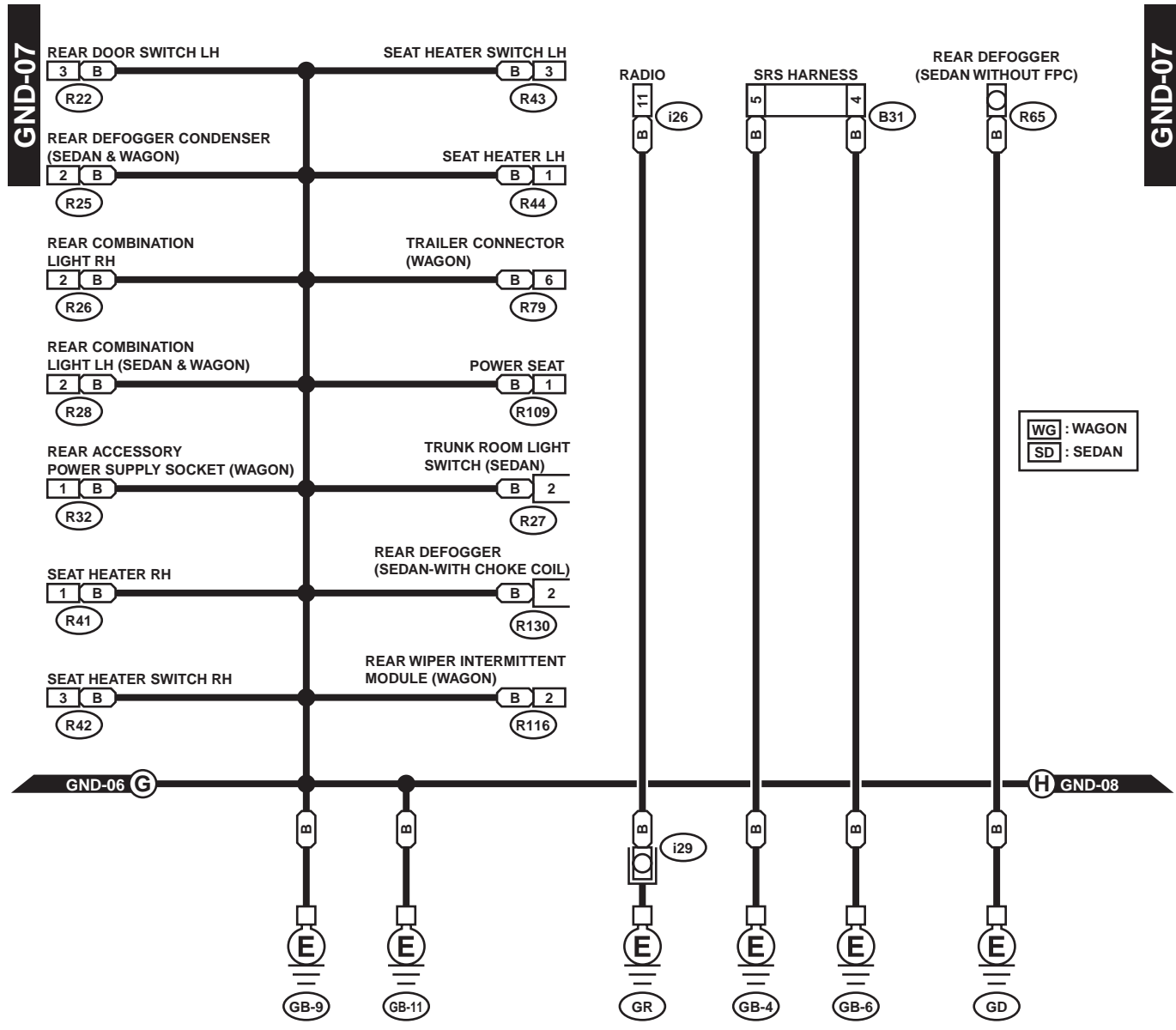
WIRING SYSTEM



WI-00519

GROUND DISTRIBUTION

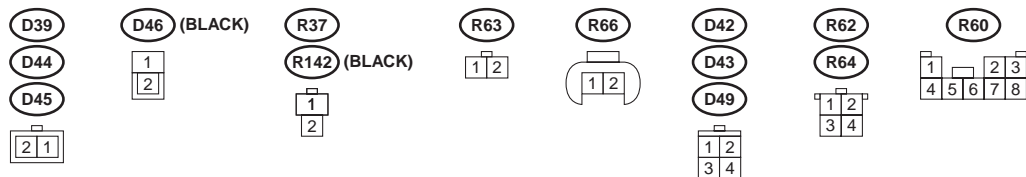
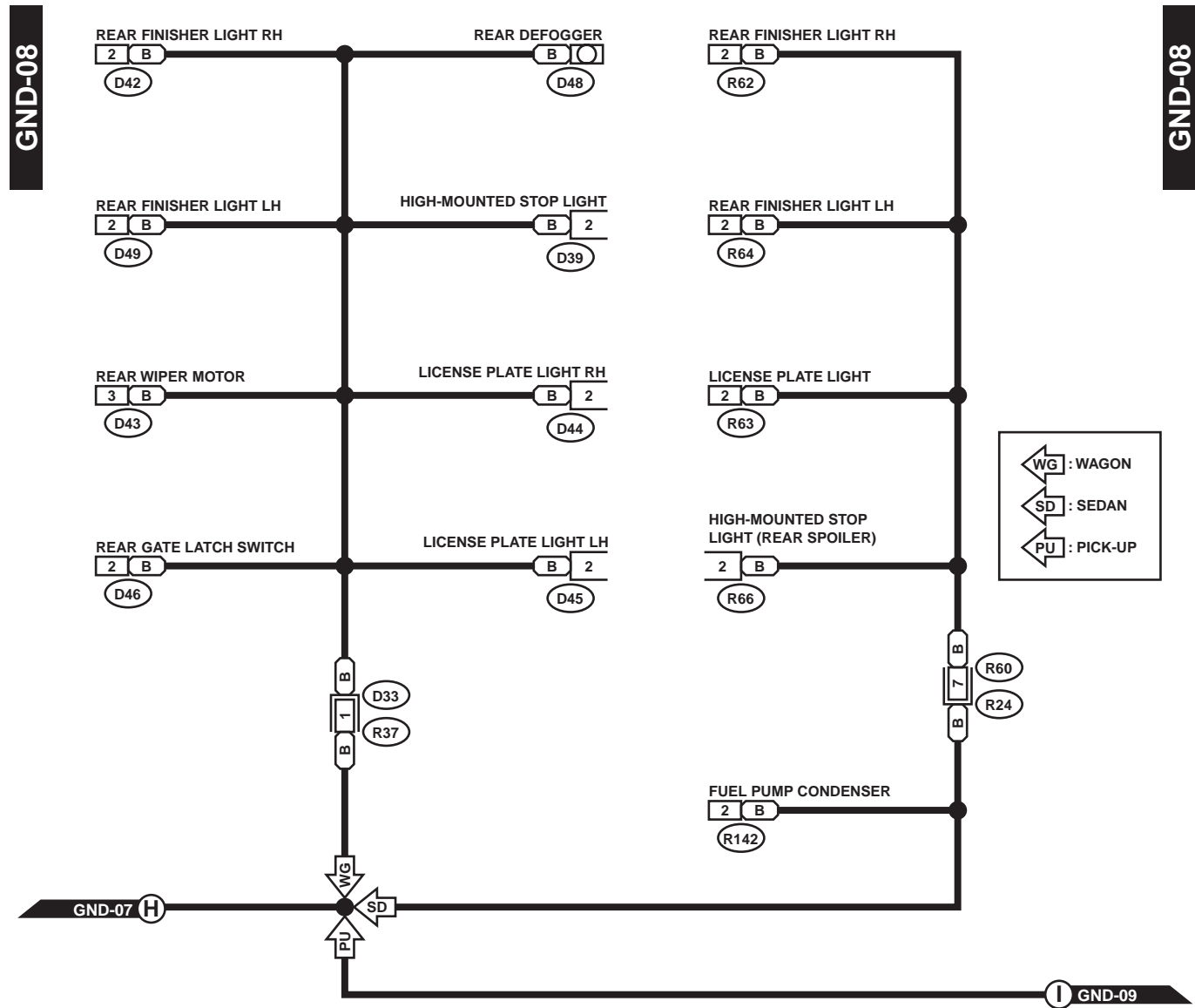
WIRING SYSTEM



WI-00520

GROUND DISTRIBUTION

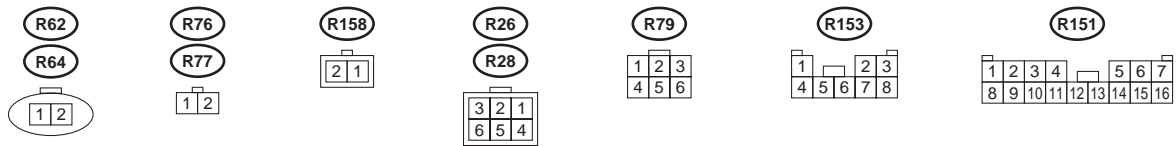
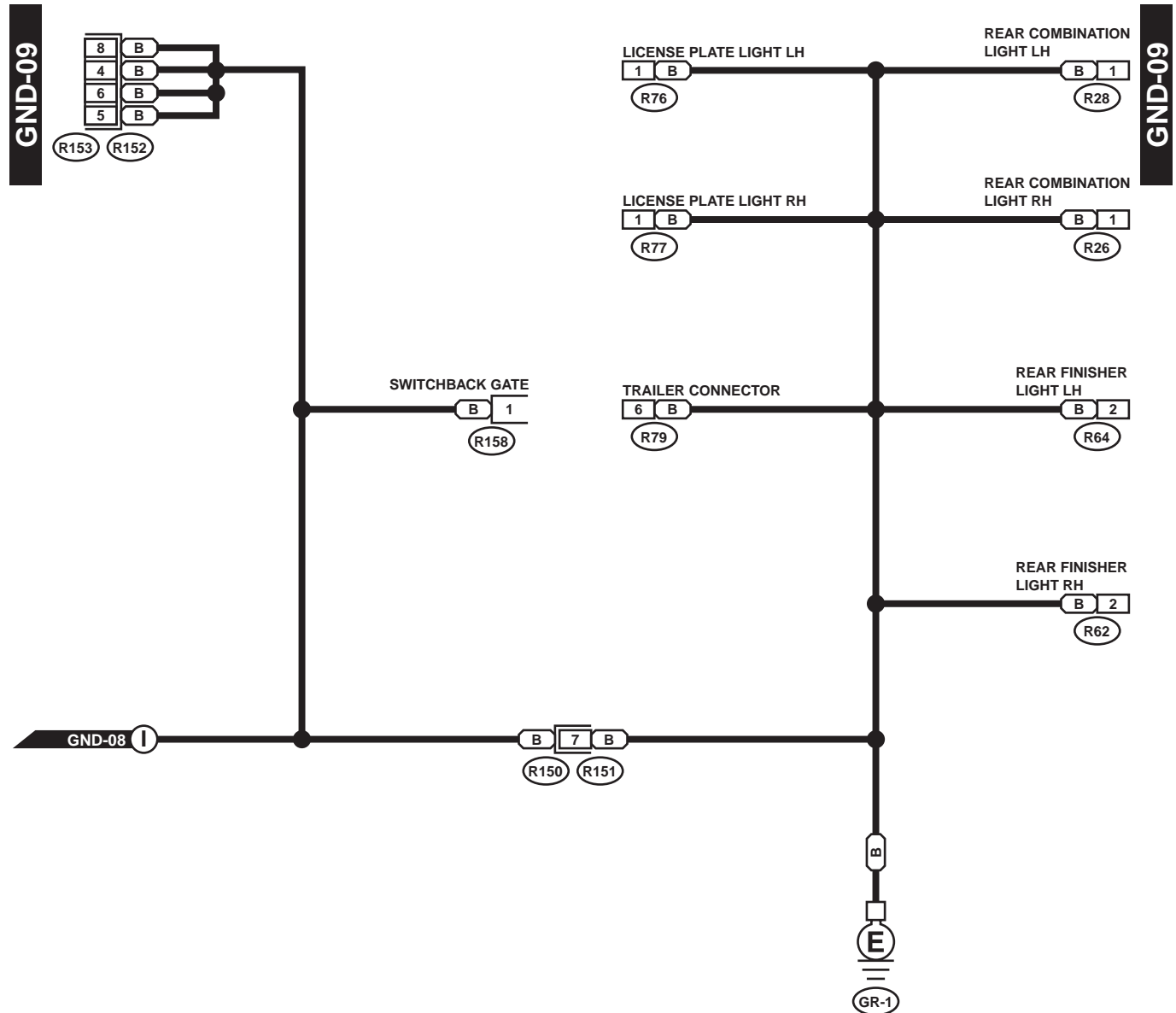
WIRING SYSTEM



WI-00521

GROUND DISTRIBUTION

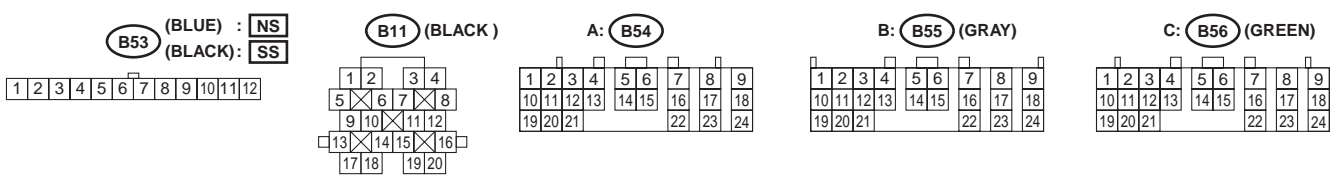
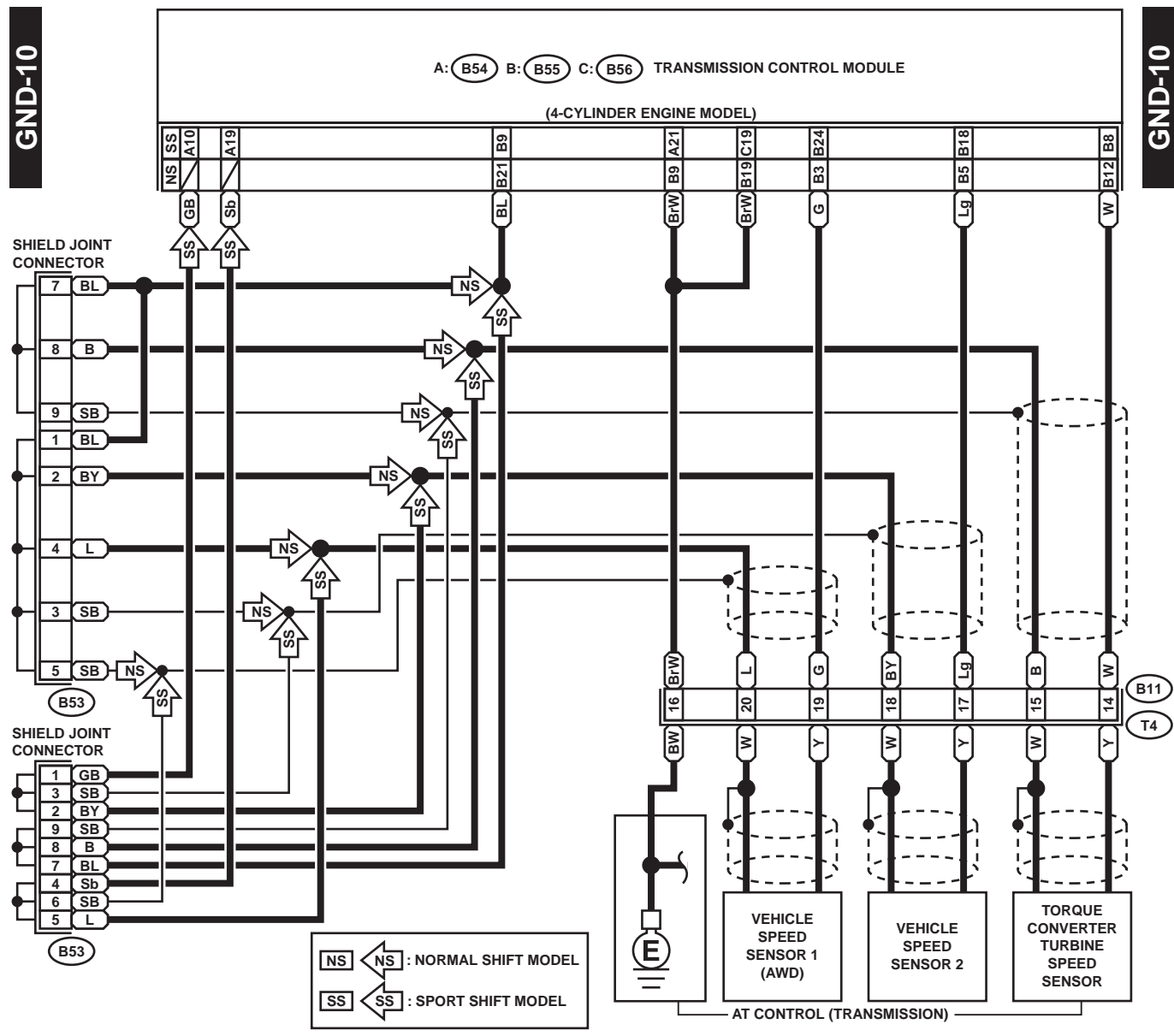
WIRING SYSTEM



WI-00522

GROUND DISTRIBUTION

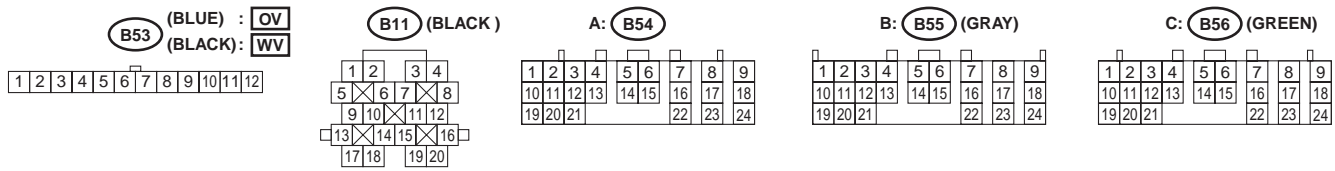
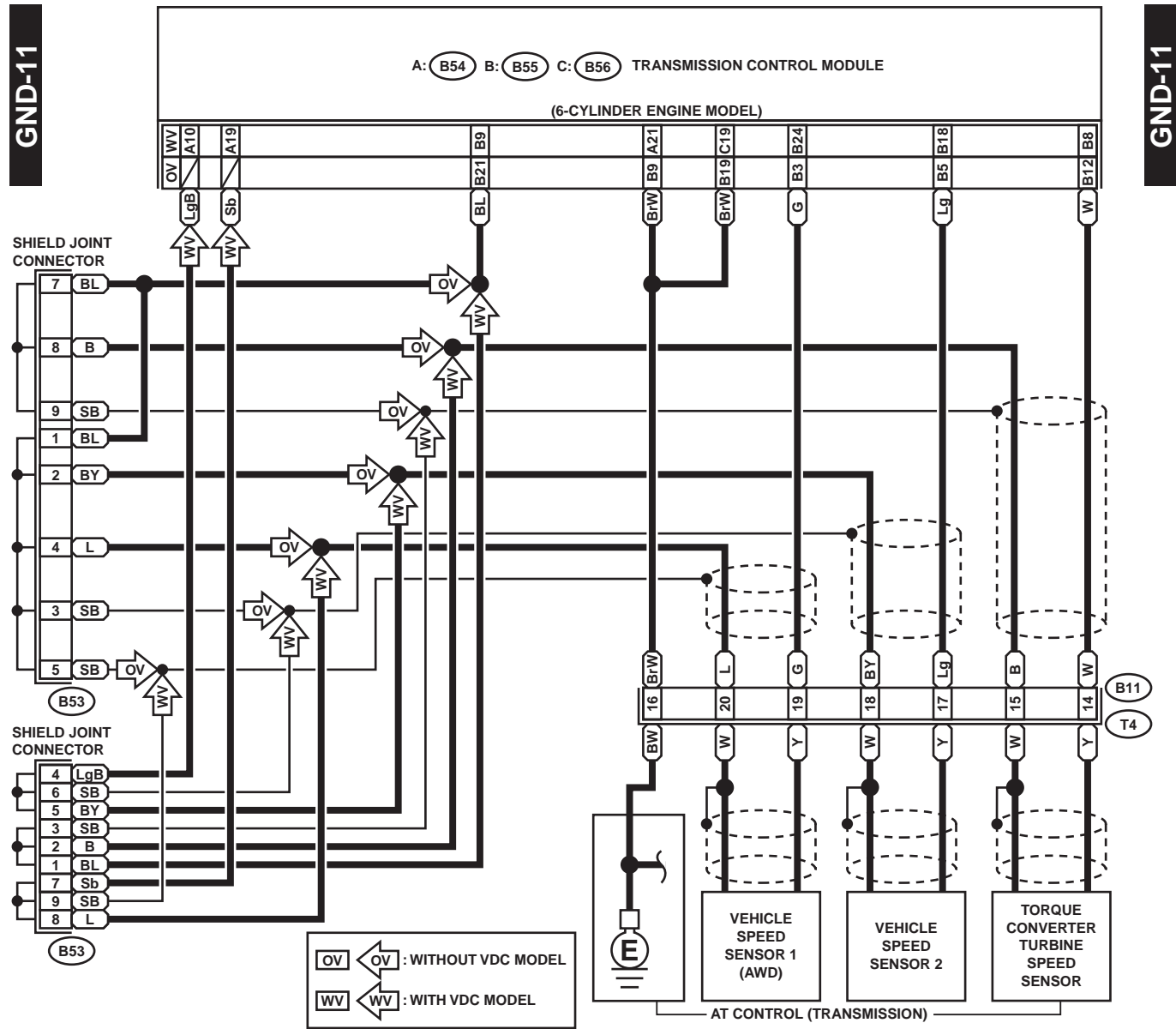
WIRING SYSTEM



WI-00524

GROUND DISTRIBUTION

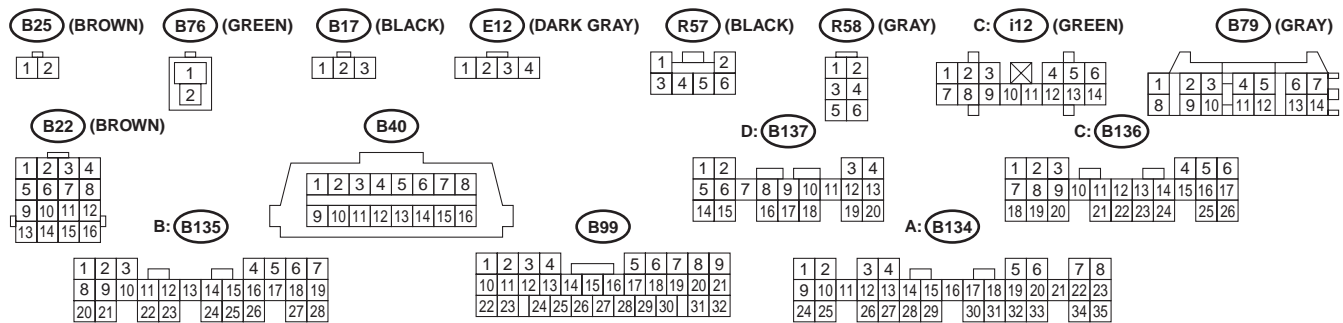
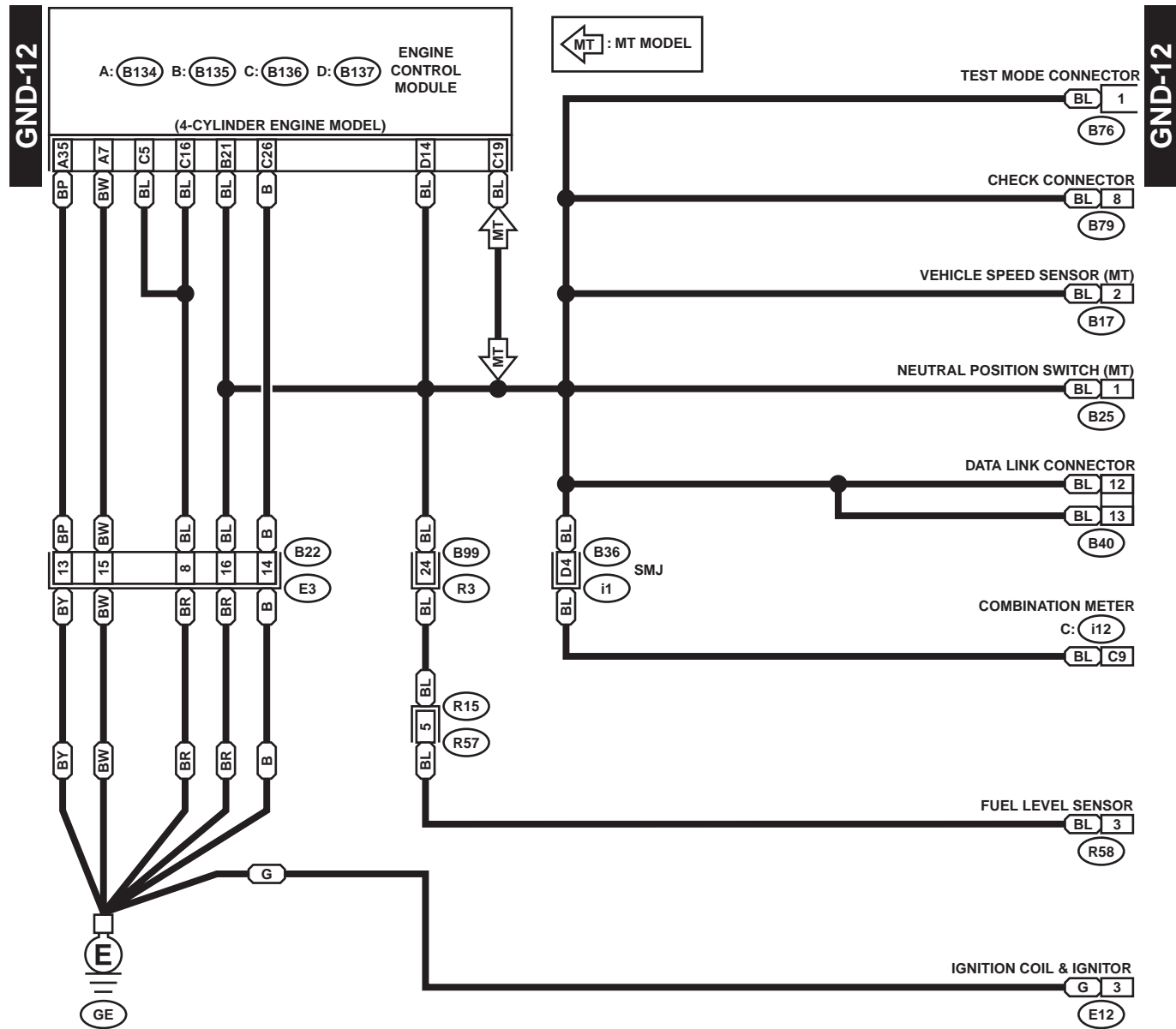
WIRING SYSTEM



WI-00525

GROUND DISTRIBUTION

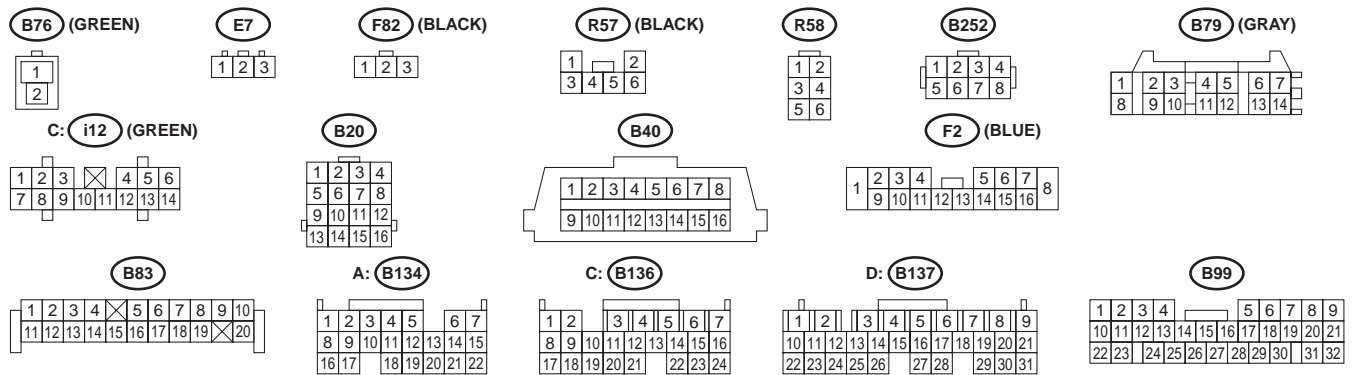
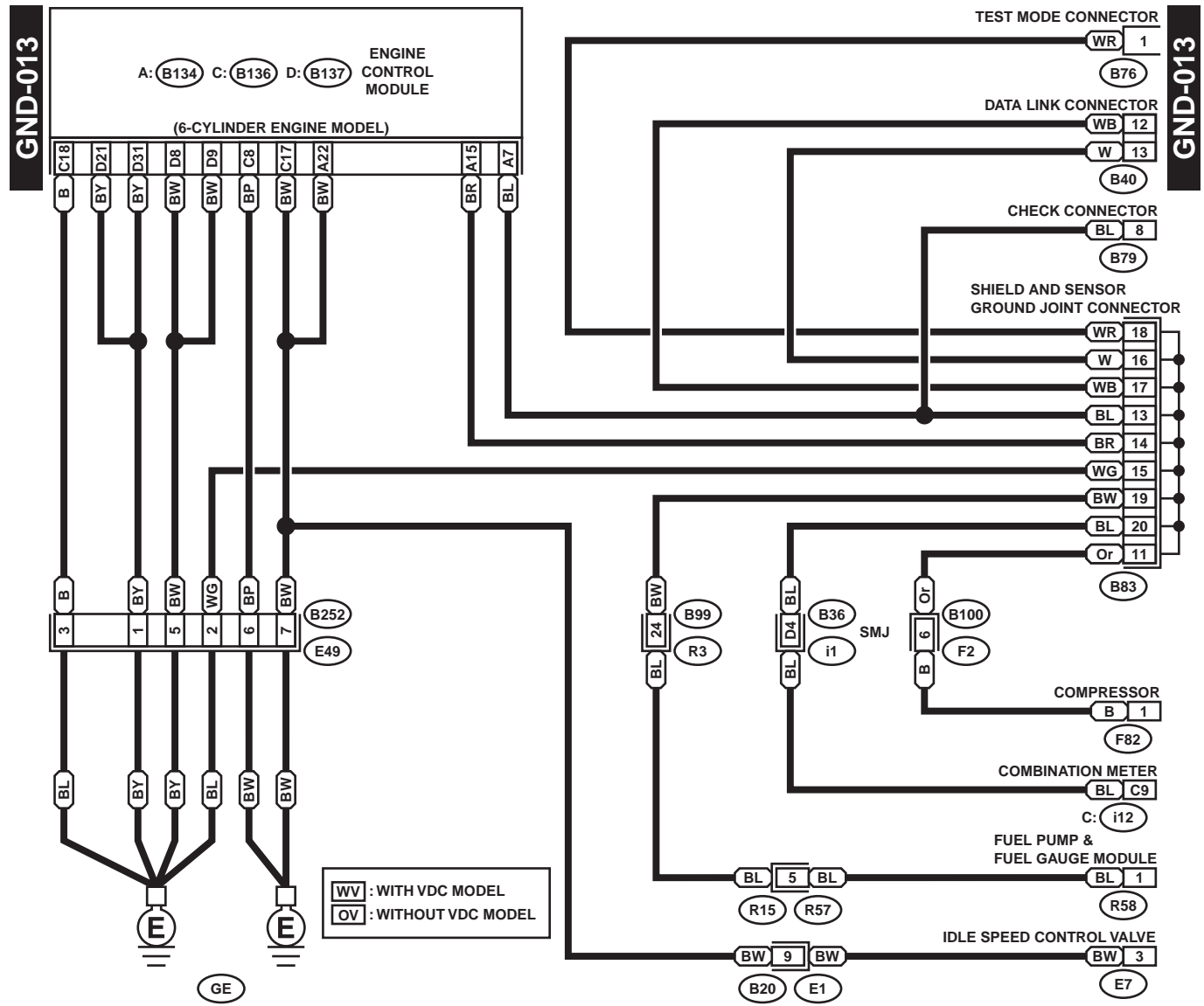
WIRING SYSTEM



WI-00527

GROUND DISTRIBUTION

WIRING SYSTEM



WI-00528

GROUND DISTRIBUTION

WIRING SYSTEM

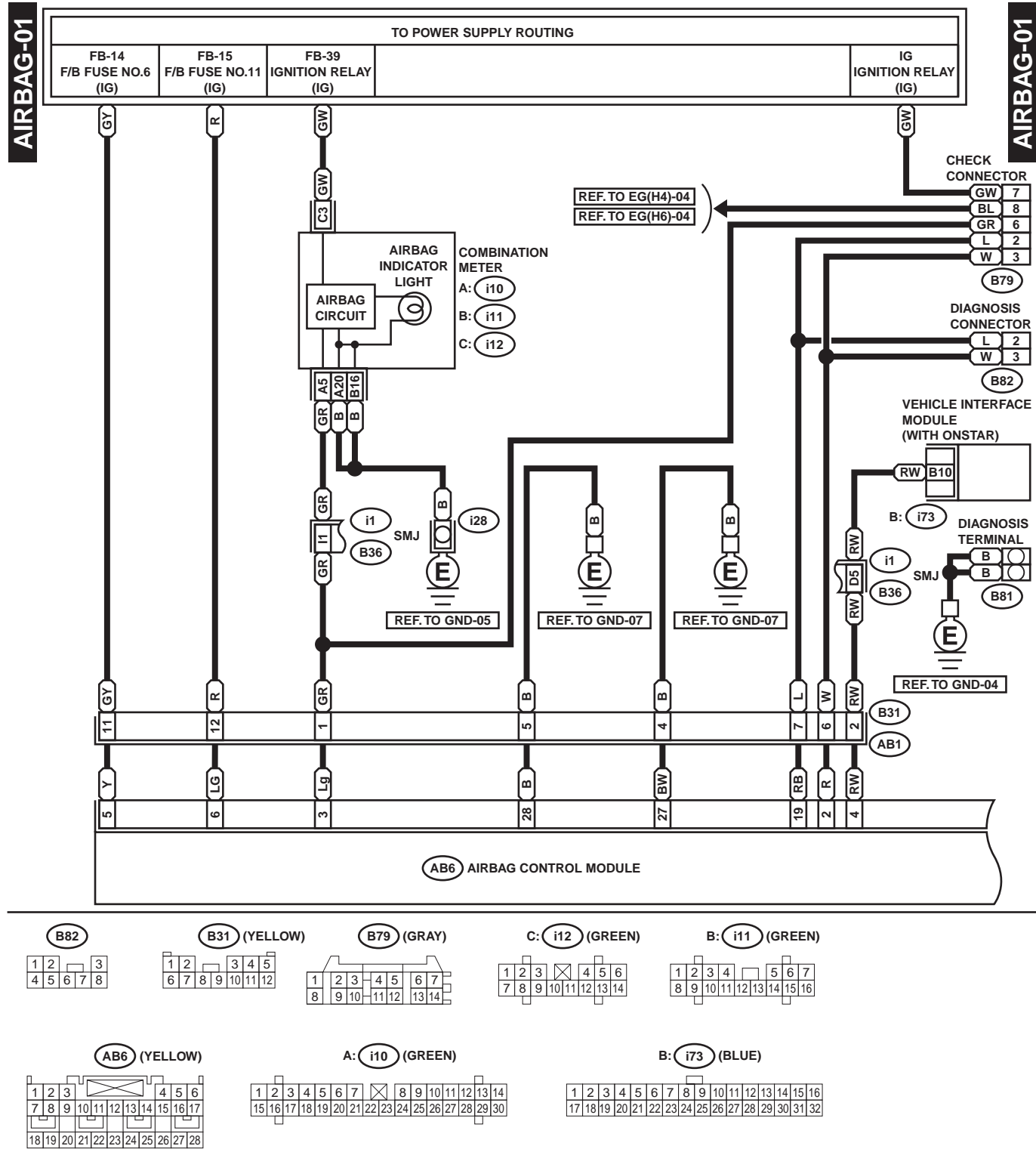
MEMO:

AIRBAG SYSTEM

WIRING SYSTEM

6. Airbag System

A: SCHEMATIC



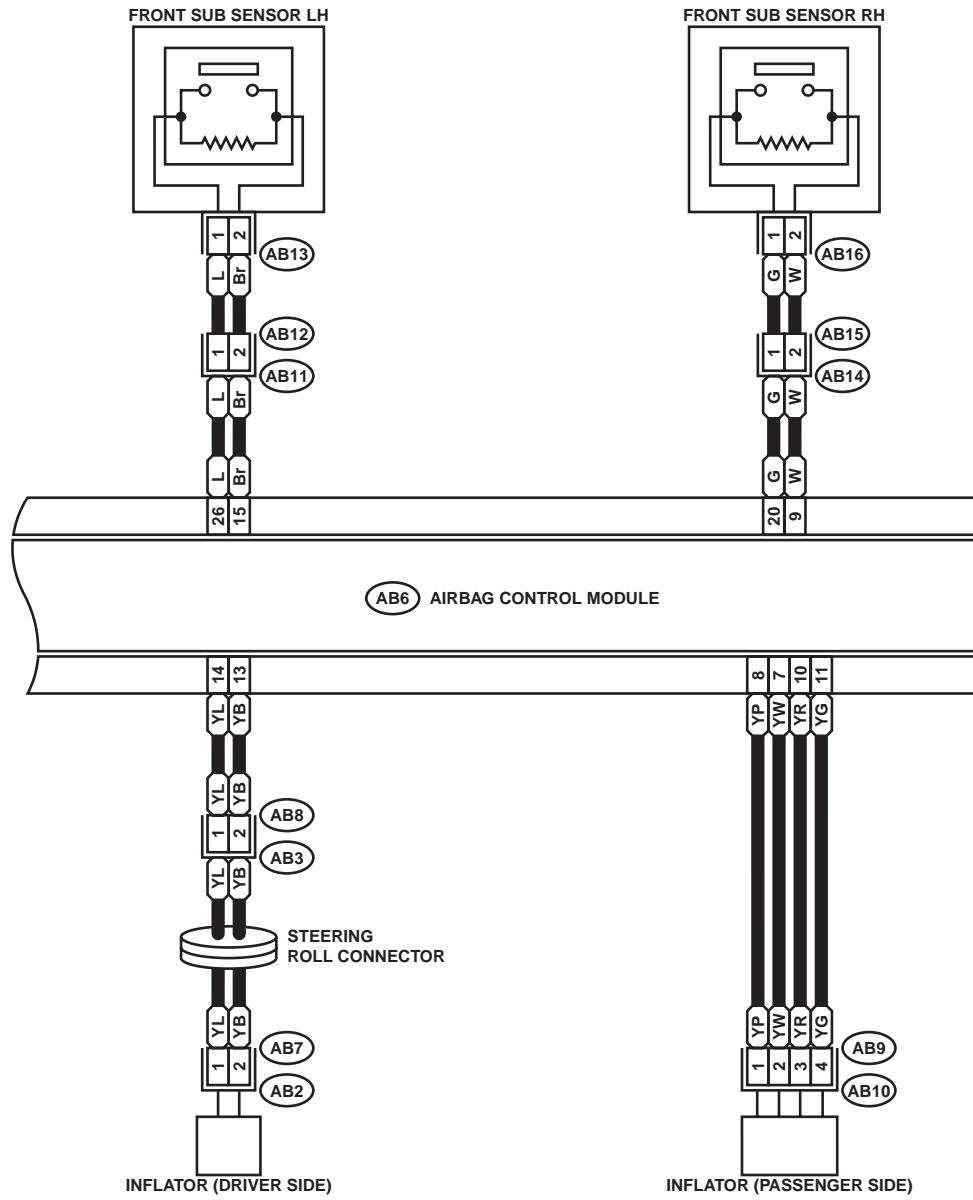
WI-01057

AIRBAG SYSTEM

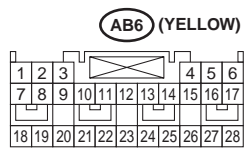
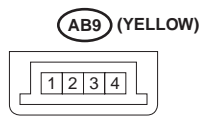
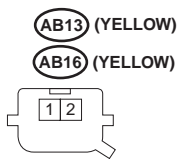
WIRING SYSTEM

AIRBAG-02

AIRBAG-02



- AB7 (YELLOW)
- AB8 (YELLOW)
- AB12 (BLUE)
- AB15 (BLUE)



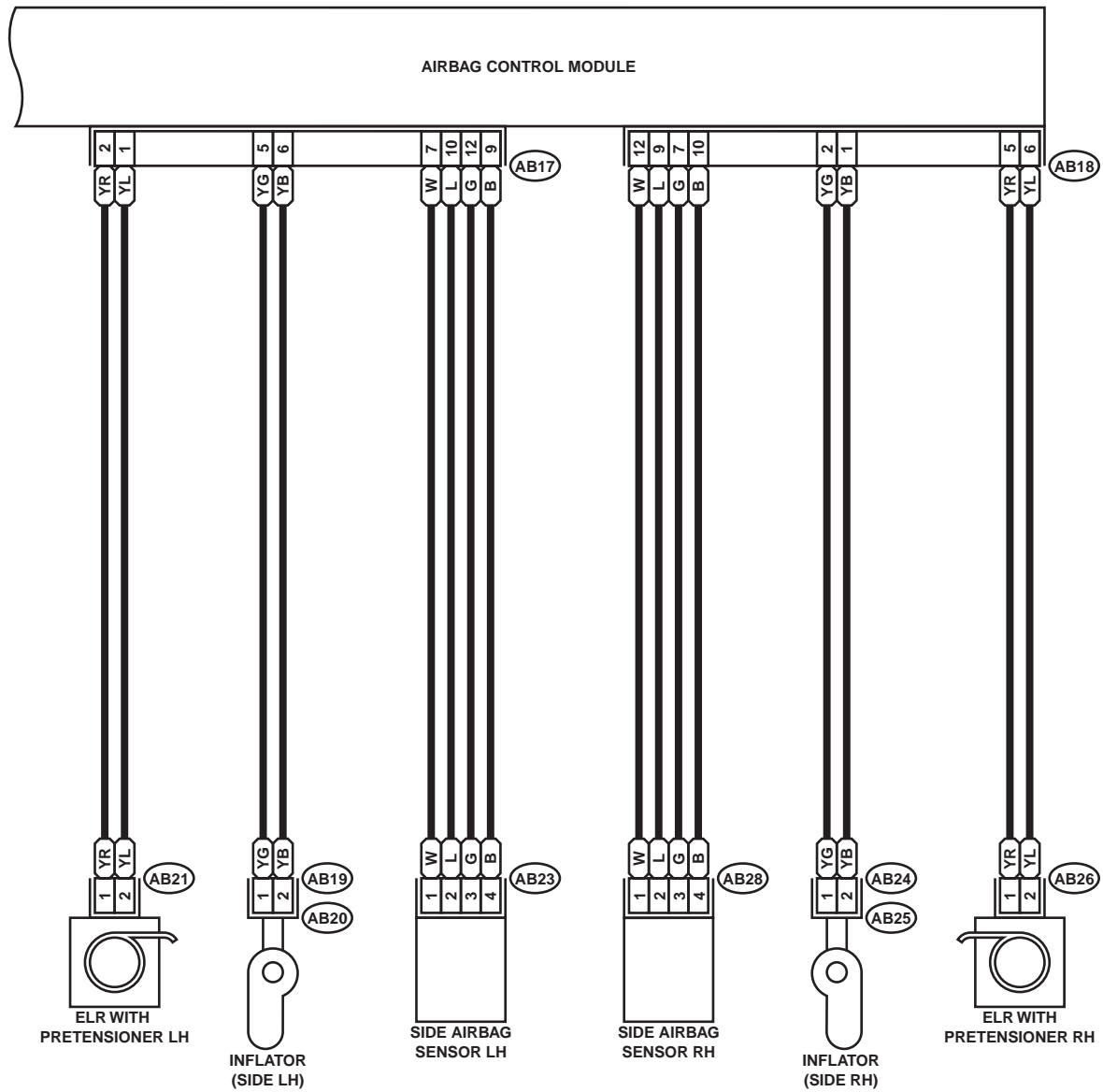
WI-00530

AIRBAG SYSTEM

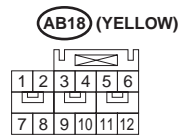
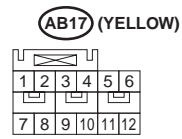
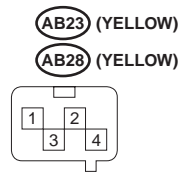
WIRING SYSTEM

AIRBAG-03

AIRBAG-03



- AB19 (YELLOW)
- AB21 (YELLOW)
- AB24 (YELLOW)
- AB26 (YELLOW)
- 1 2



WI-00531

AIRBAG SYSTEM

WIRING SYSTEM

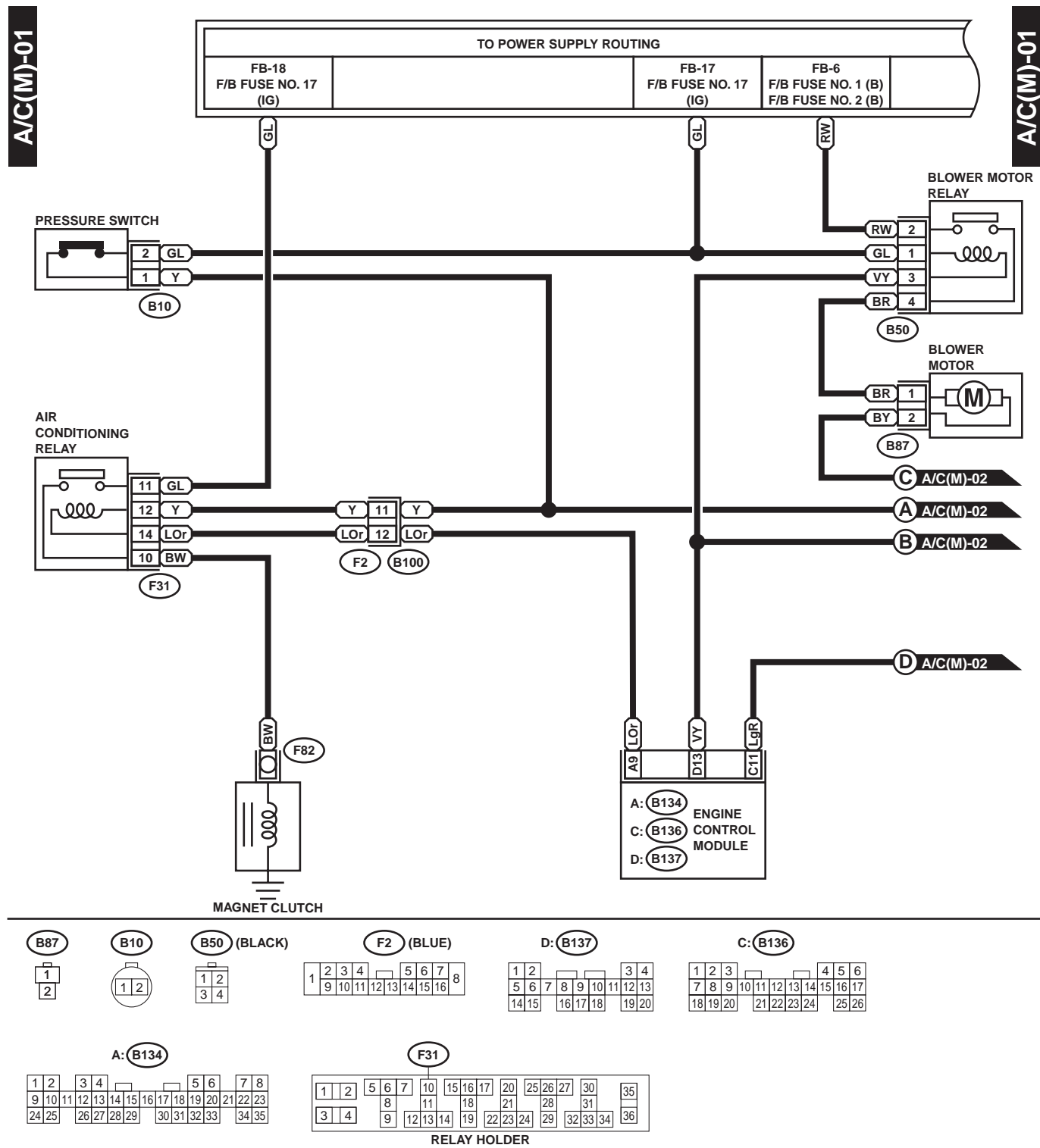
MEMO:

MANUAL AIR CONDITIONING SYSTEM

WIRING SYSTEM

7. Manual Air Conditioning System

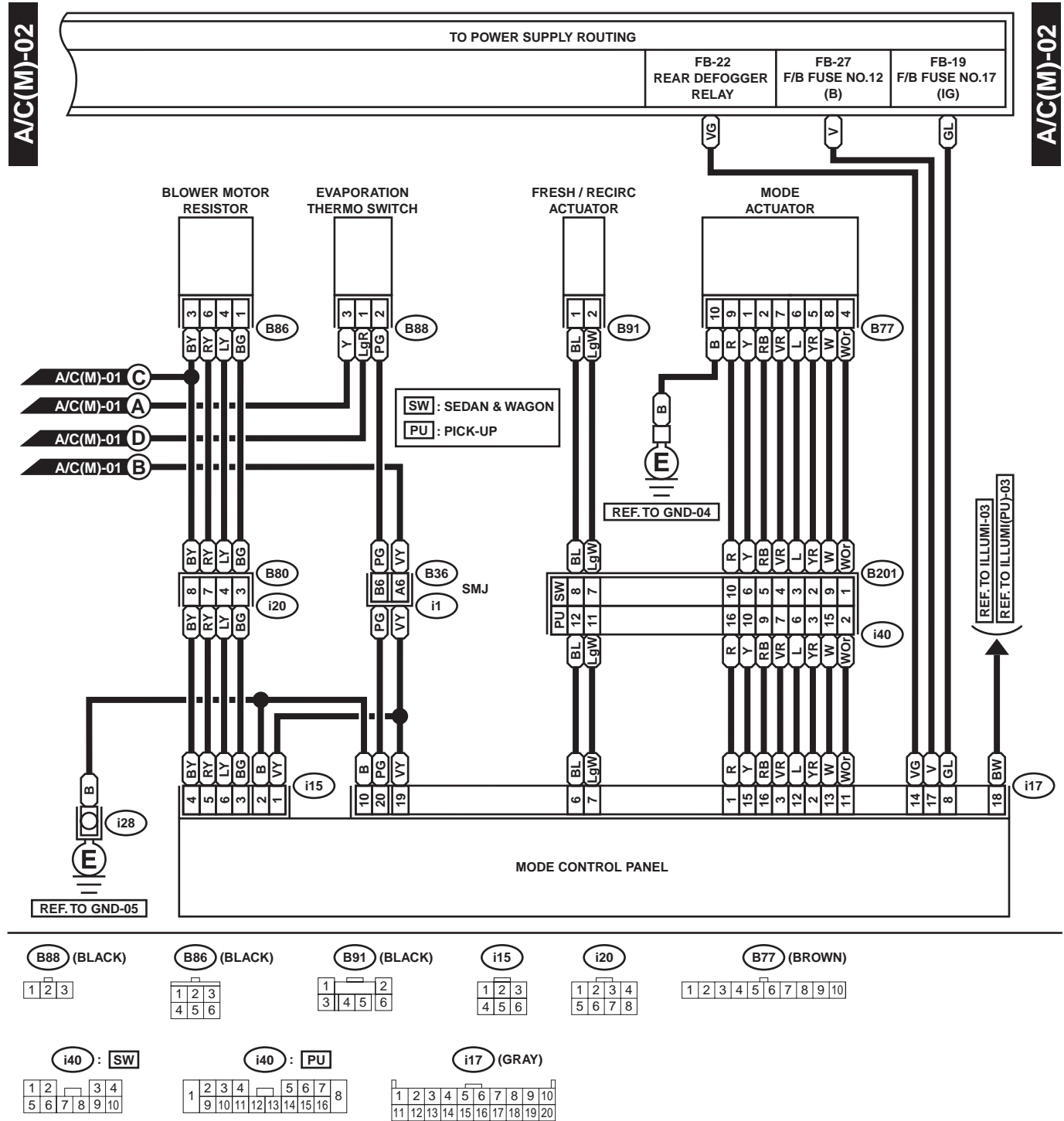
A: SCHEMATIC



WI-01058

MANUAL AIR CONDITIONING SYSTEM

WIRING SYSTEM



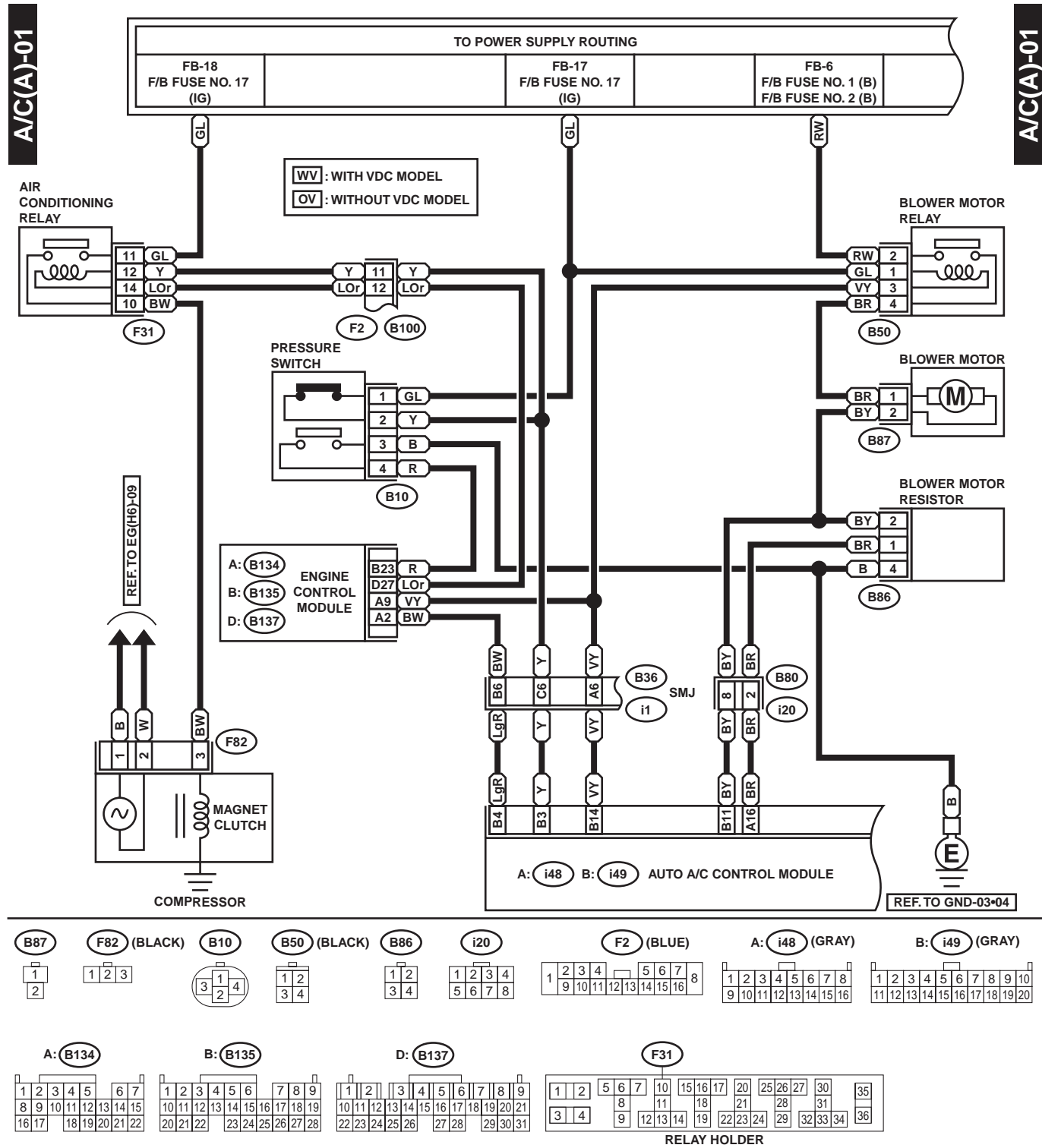
WI-00533

AUTOMATIC AIR CONDITIONING SYSTEM

WIRING SYSTEM

8. Automatic Air Conditioning System

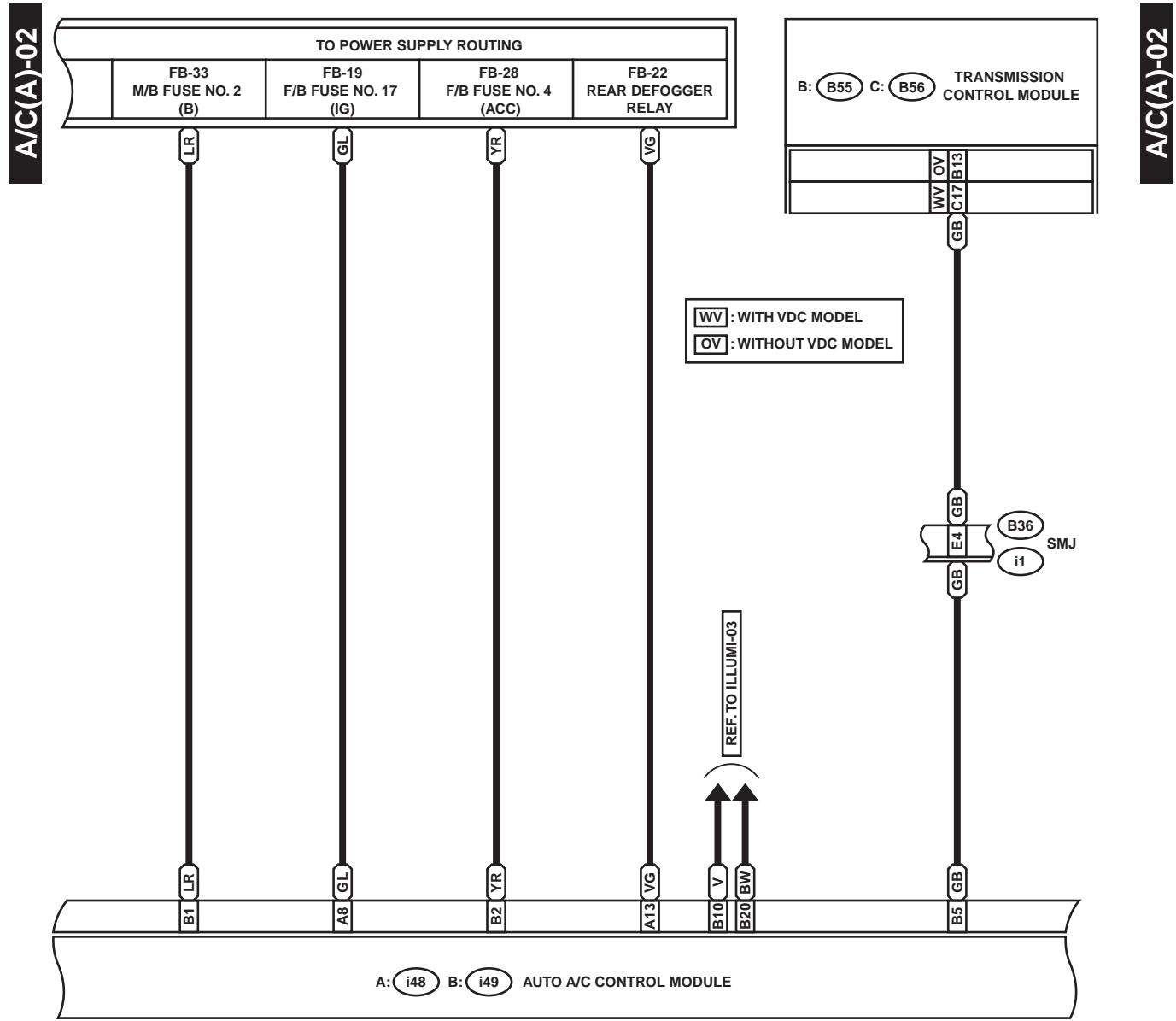
A: SCHEMATIC



WI-00534

AUTOMATIC AIR CONDITIONING SYSTEM

WIRING SYSTEM



A: i48 (GRAY)

1	2	3	4	5	6	7	8
9	10	11	12	13	14	15	16

B: i49 (GRAY)

1	2	3	4	5	6	7	8	9	10
11	12	13	14	15	16	17	18	19	20

B: B55 (GRAY)

1	2	3	4	5	6	7	8	9
10	11	12	13	14	15	16	17	18
19	20	21	22	23	24			

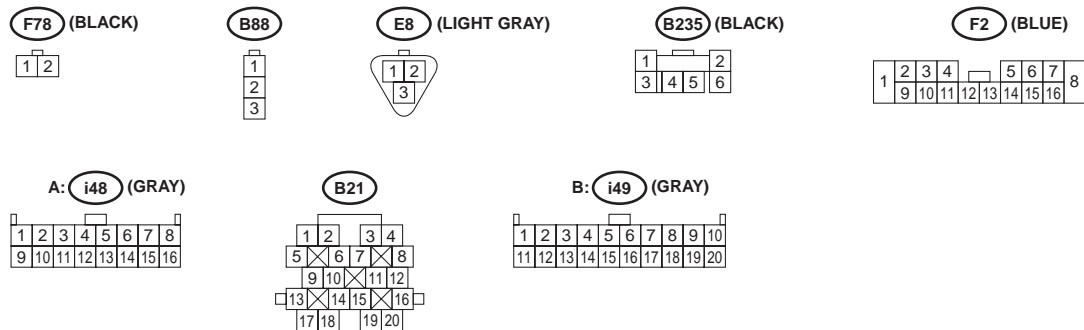
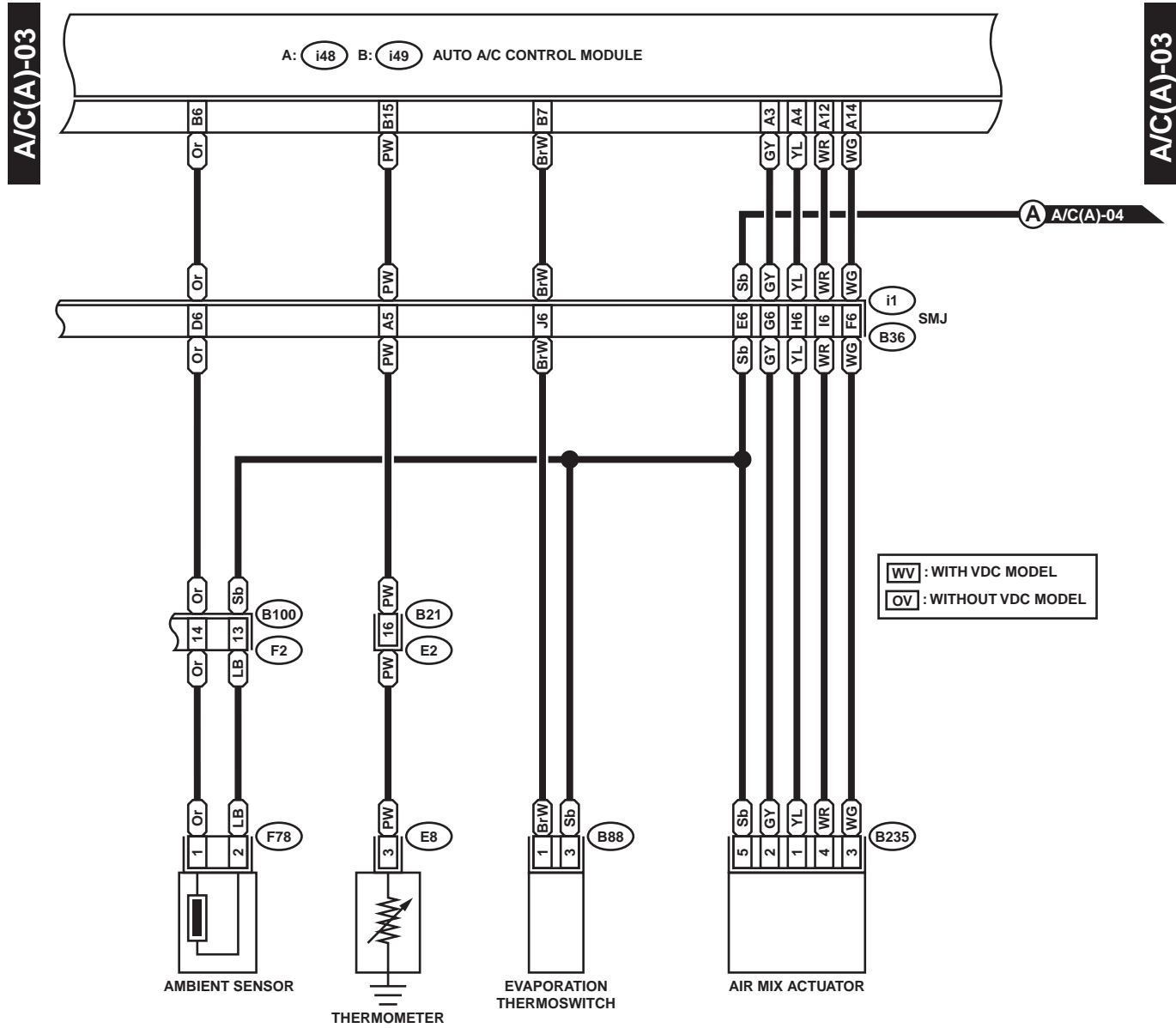
C: B56 (GREEN)

1	2	3	4	5	6	7	8	9
10	11	12	13	14	15	16	17	18
19	20	21	22	23	24			

WI-00535

AUTOMATIC AIR CONDITIONING SYSTEM

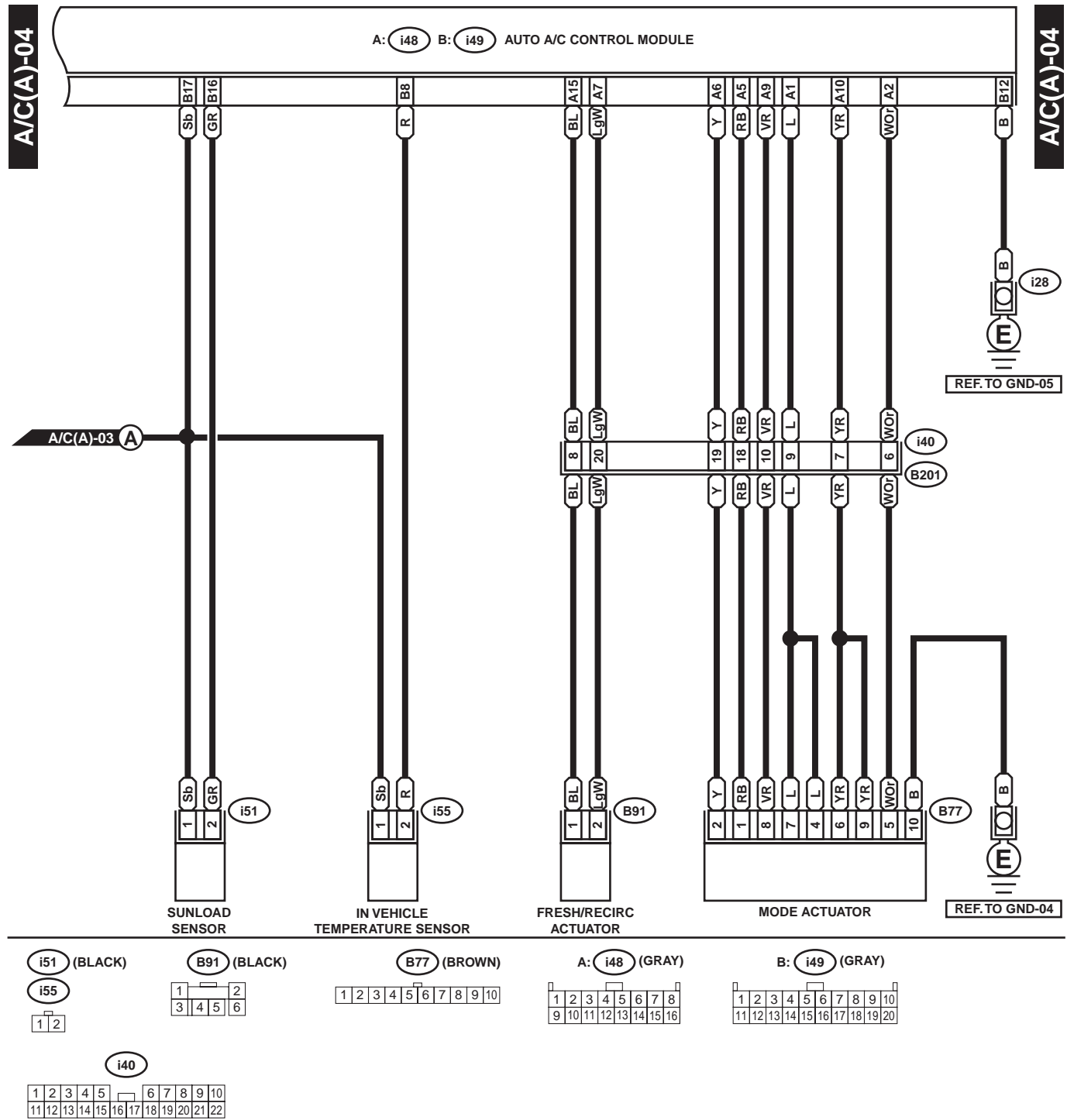
WIRING SYSTEM



WI-00536

AUTOMATIC AIR CONDITIONING SYSTEM

WIRING SYSTEM



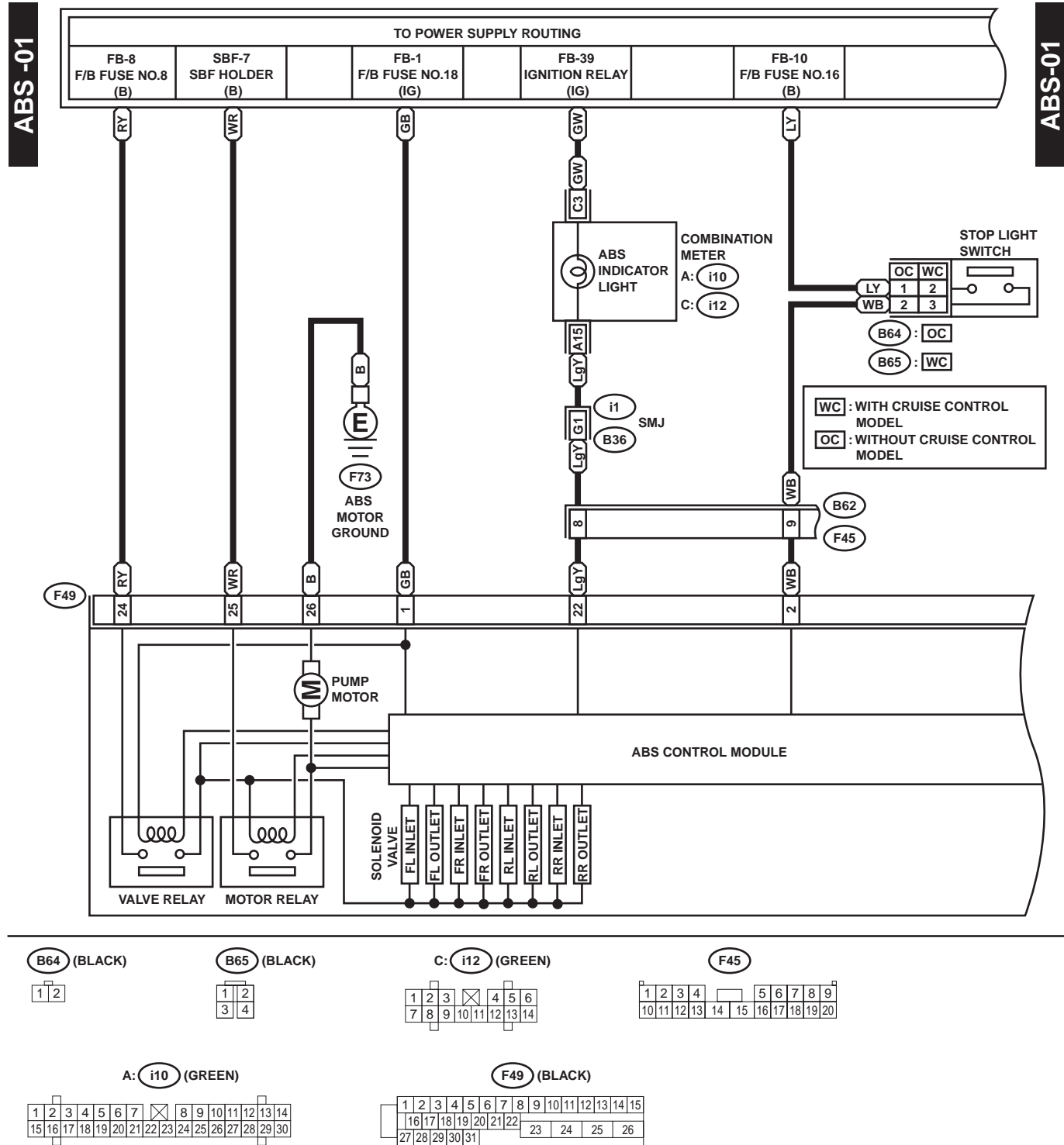
WI-00537

ANTI-LOCK BRAKE SYSTEM

WIRING SYSTEM

9. Anti-lock Brake System

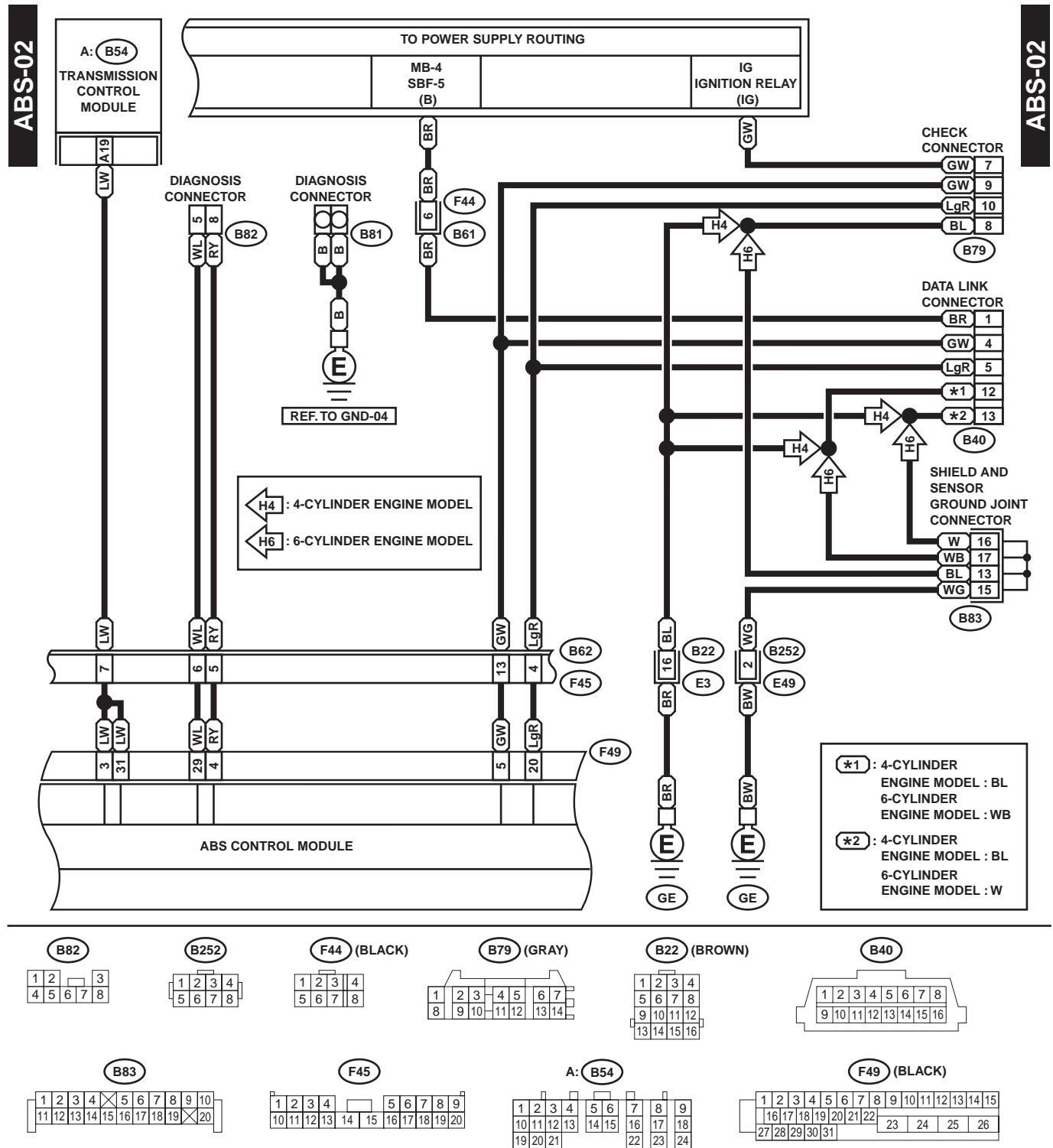
A: SCHEMATIC



WI-00538

ANTI-LOCK BRAKE SYSTEM

WIRING SYSTEM



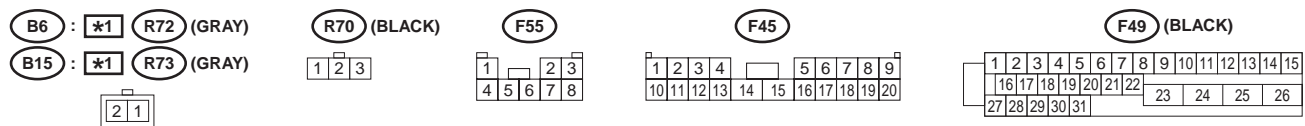
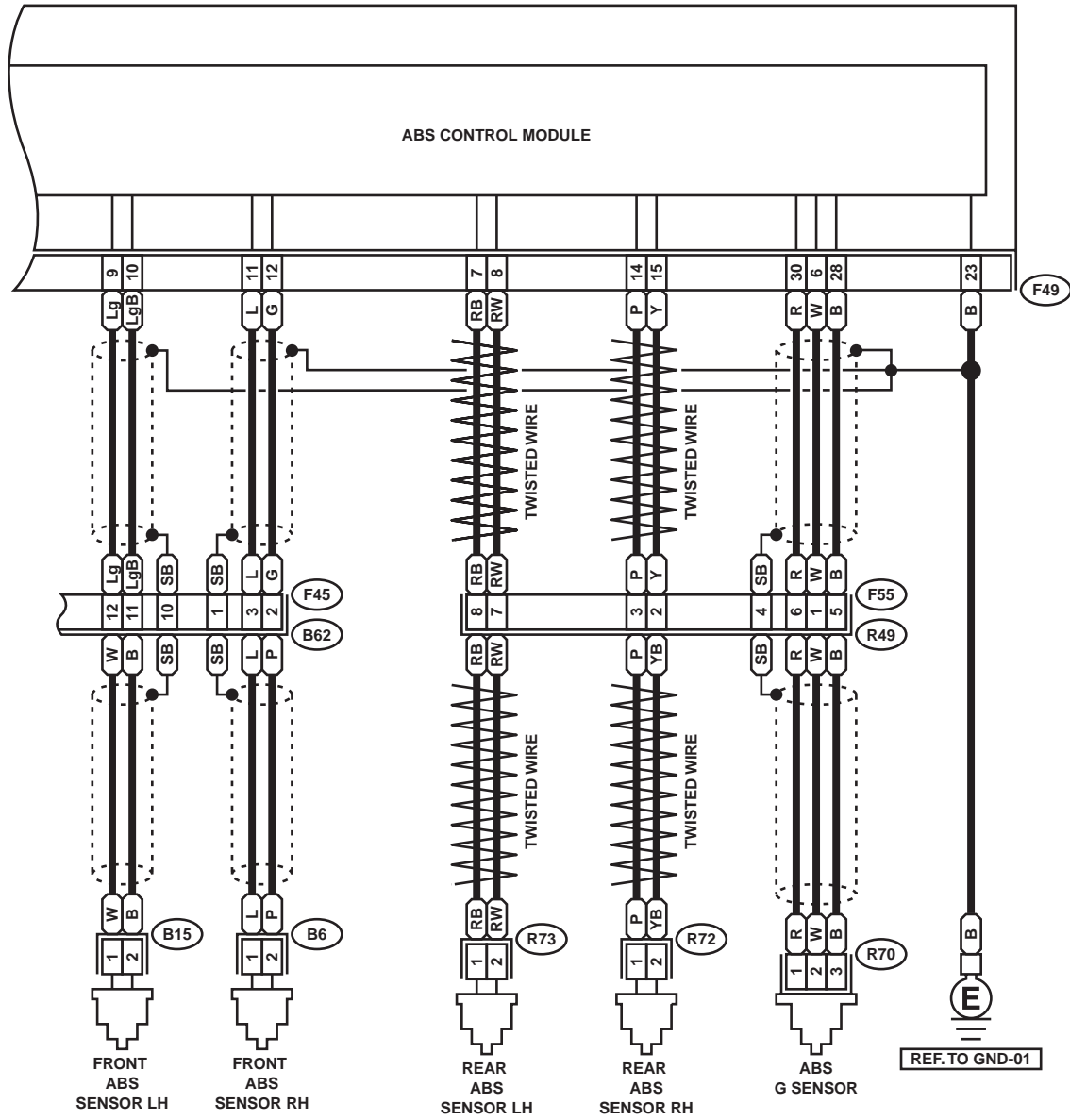
WI-01059

ANTI-LOCK BRAKE SYSTEM

WIRING SYSTEM

ABS-03

ABS-03



*1 : OUT BACK & H6 : (BROWN)
EXCEPT MODELS : (GRAY)
H6 : 6-CYLINDER ENGINE MODEL

WI-00540

ANTI-LOCK BRAKE SYSTEM

WIRING SYSTEM

MEMO:

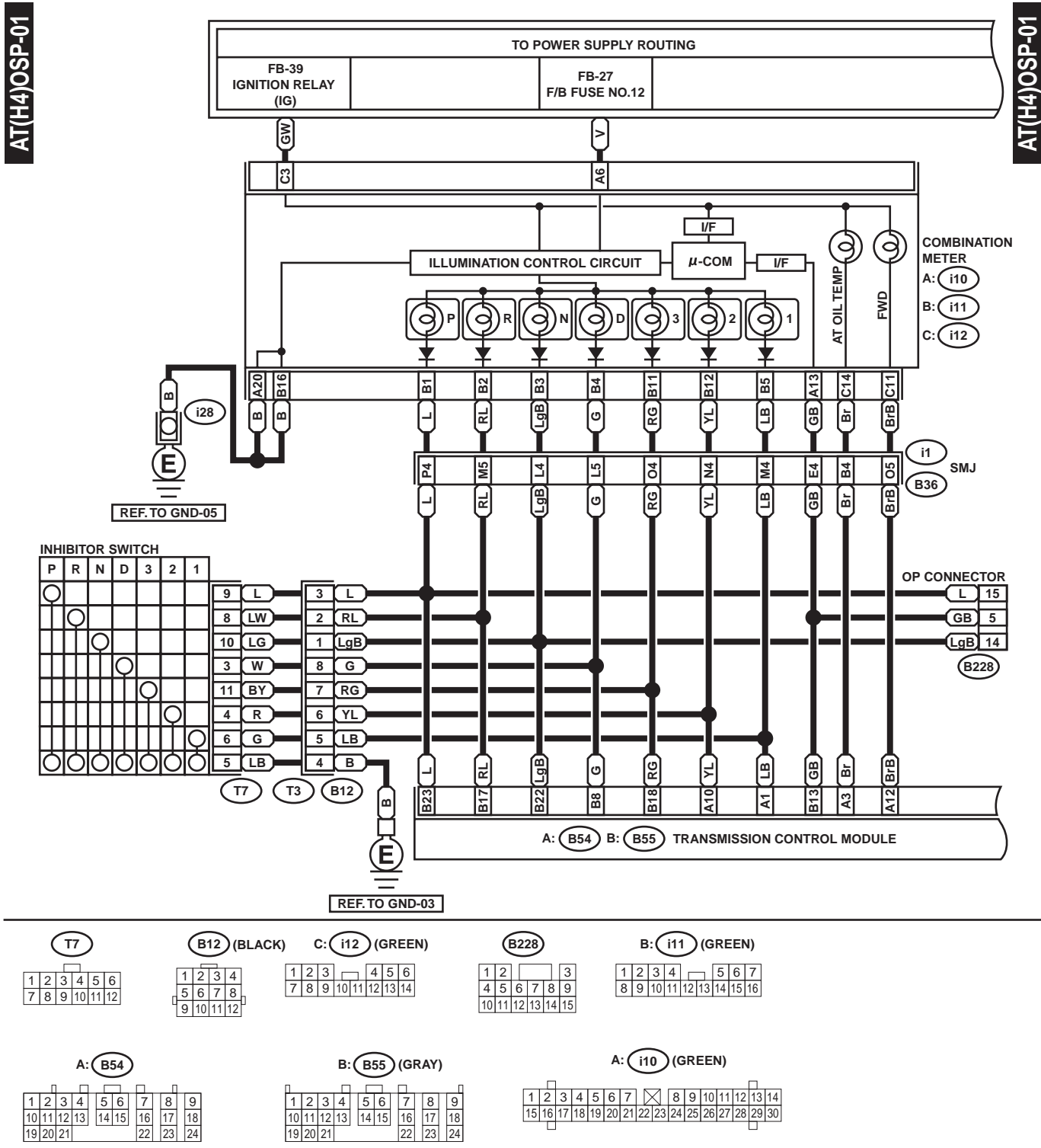
A/T CONTROL SYSTEM

WIRING SYSTEM

10.A/T Control System

A: SCHEMATIC

1. 4-CYLINDER ENGINE WITHOUT SPORTS SHIFT MODEL



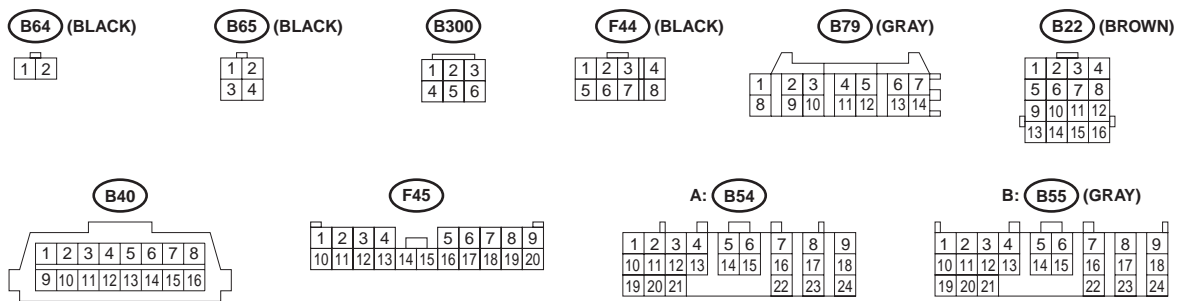
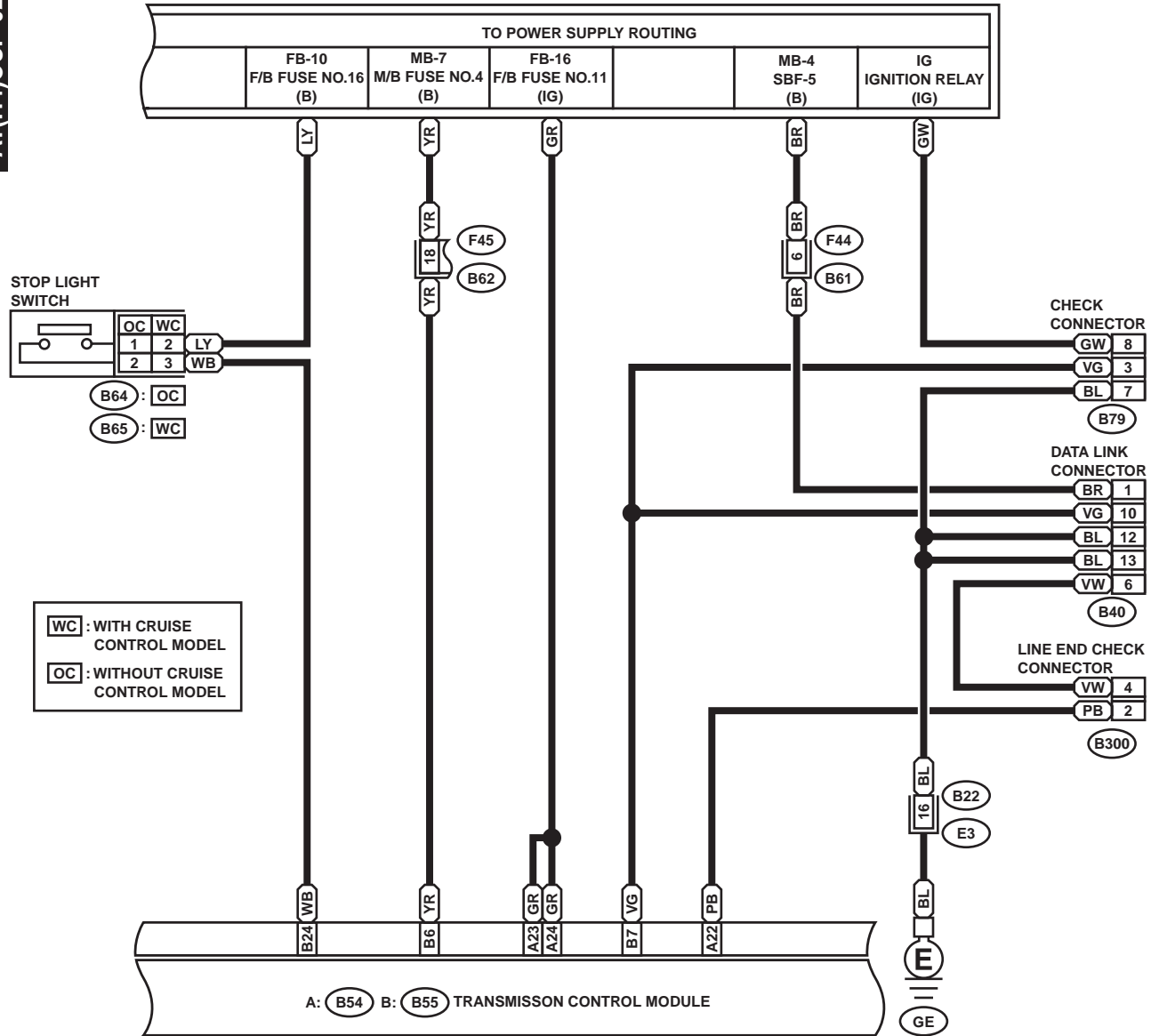
WI-00541

A/T CONTROL SYSTEM

WIRING SYSTEM

AT(H4)OSP-02

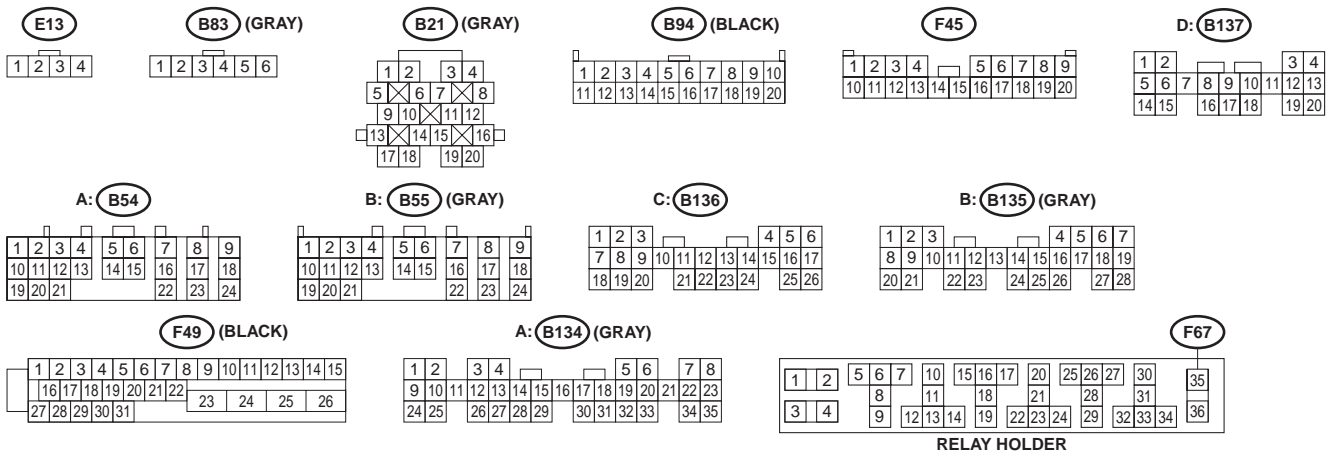
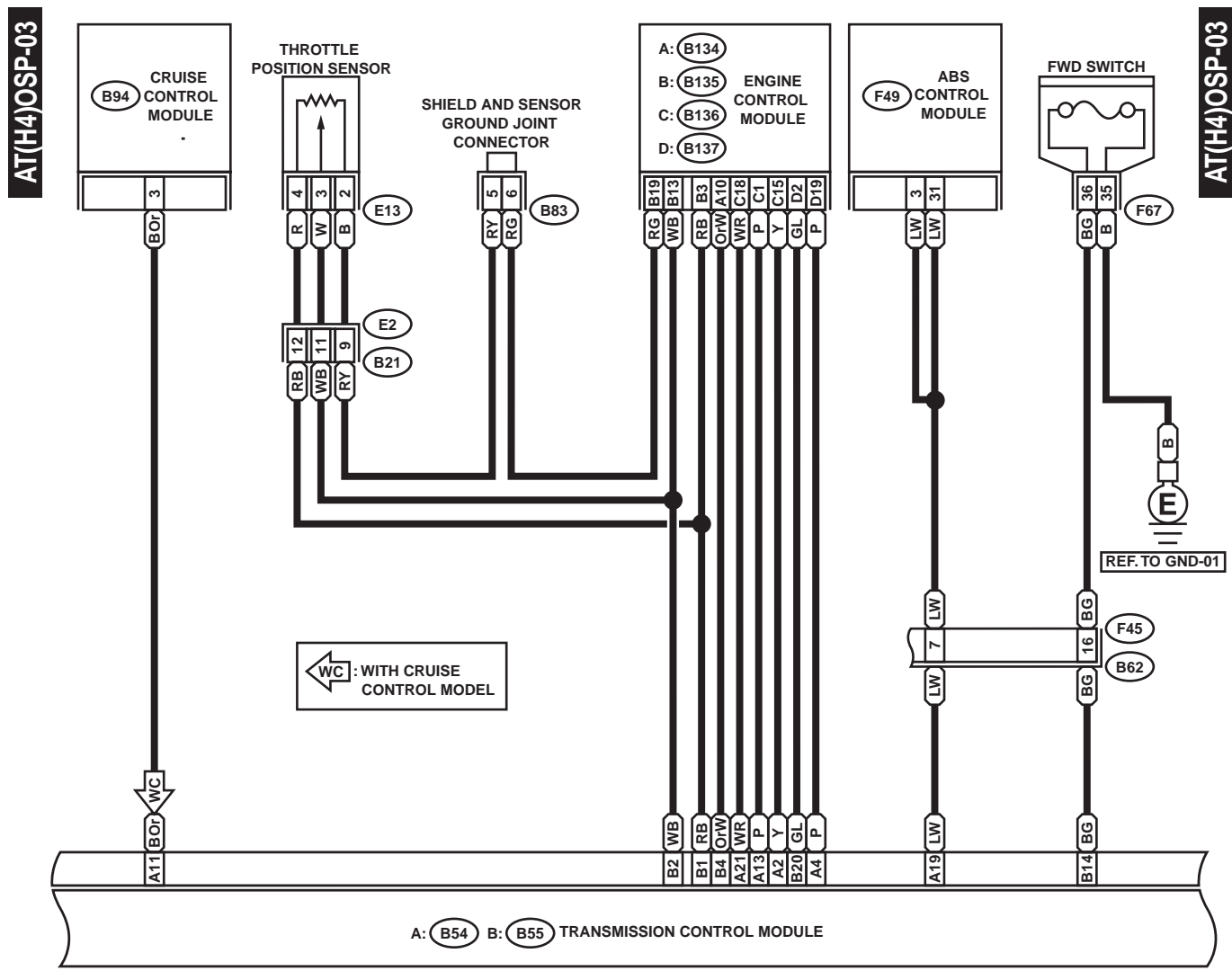
AT(H4)OSP-02



WI-00542

A/T CONTROL SYSTEM

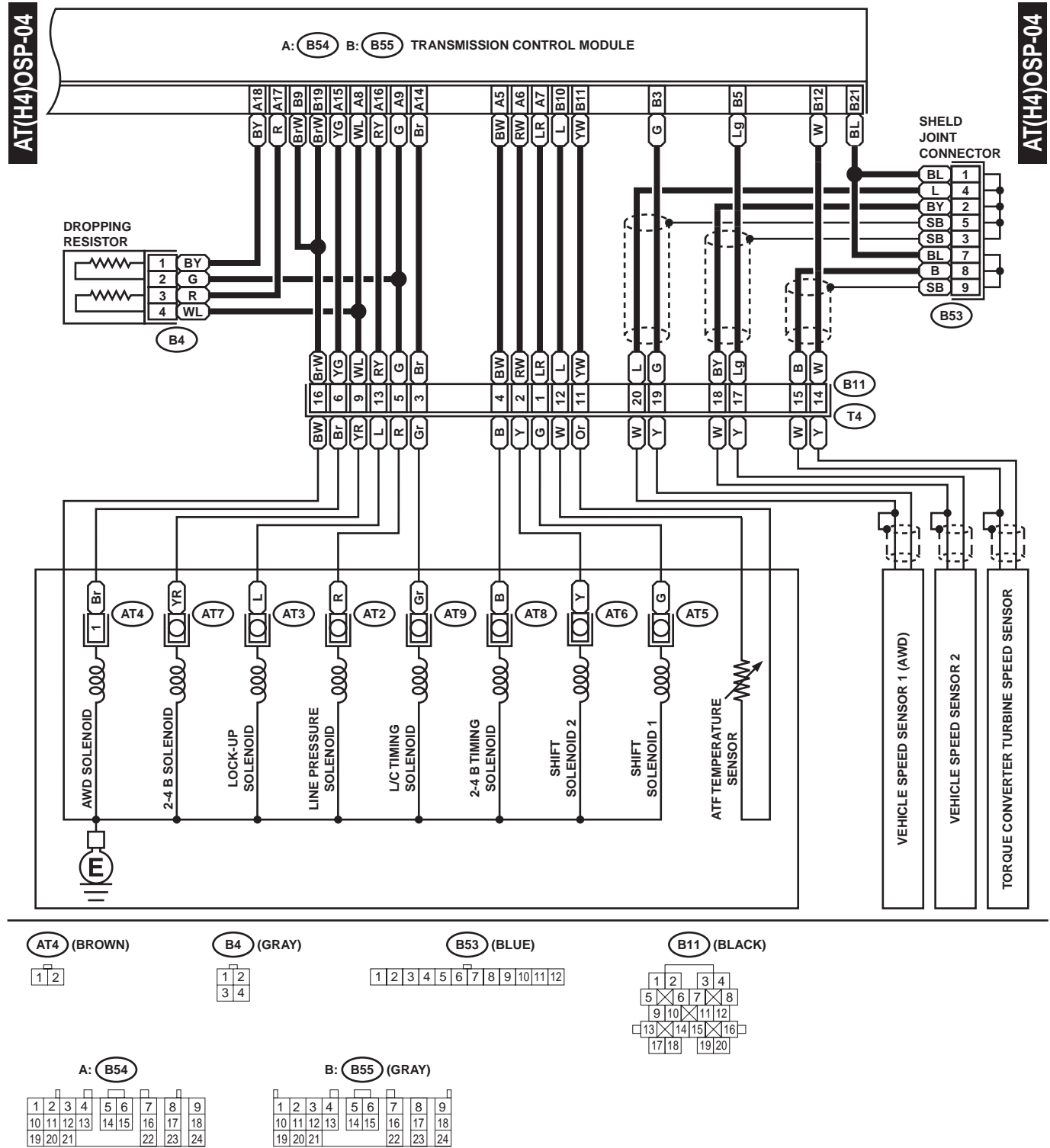
WIRING SYSTEM



WI-00543

A/T CONTROL SYSTEM

WIRING SYSTEM

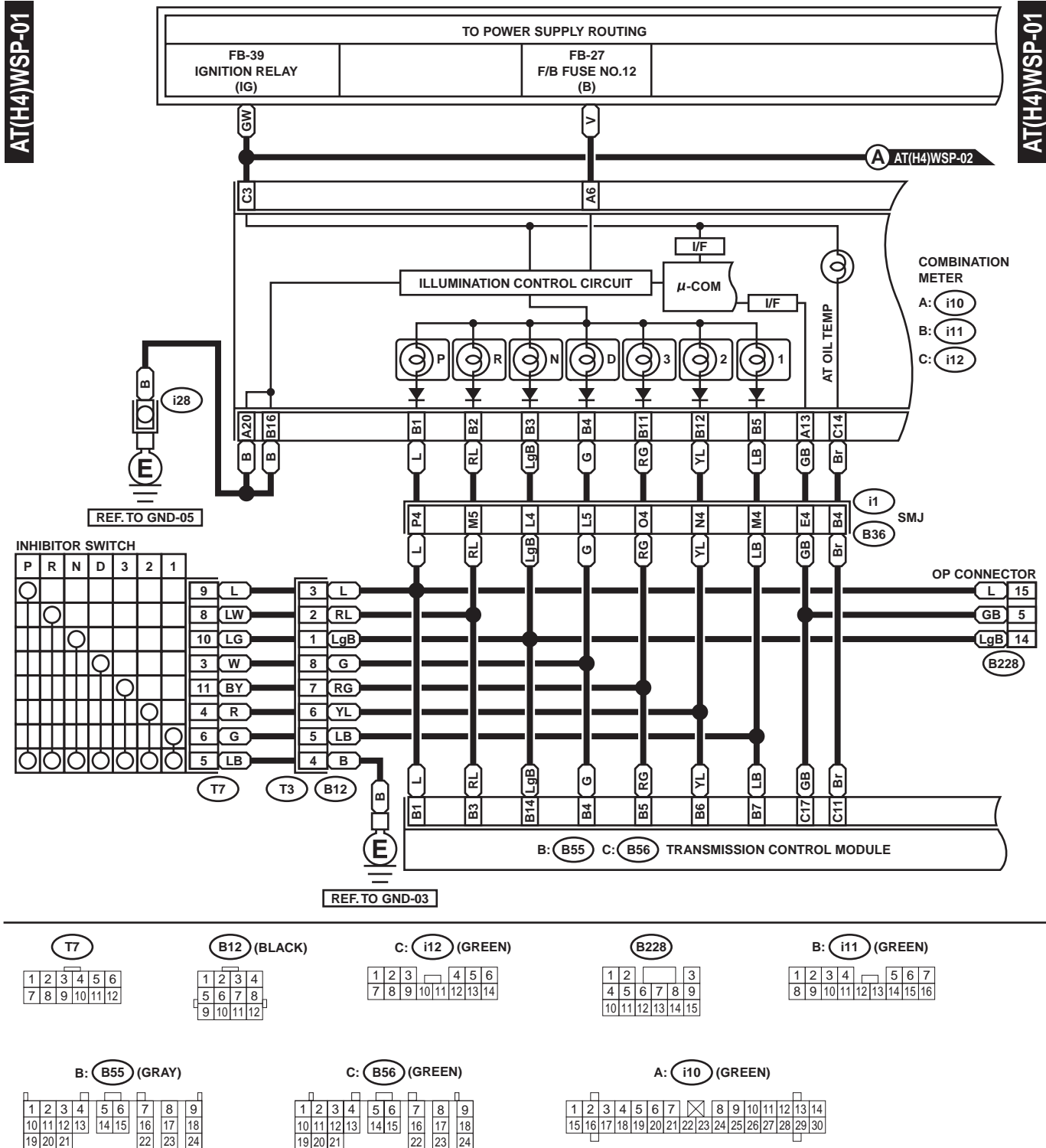


WI-00544

A/T CONTROL SYSTEM

WIRING SYSTEM

2. 4-CYLINDER ENGINE WITH SPORTS SHIFT MODEL



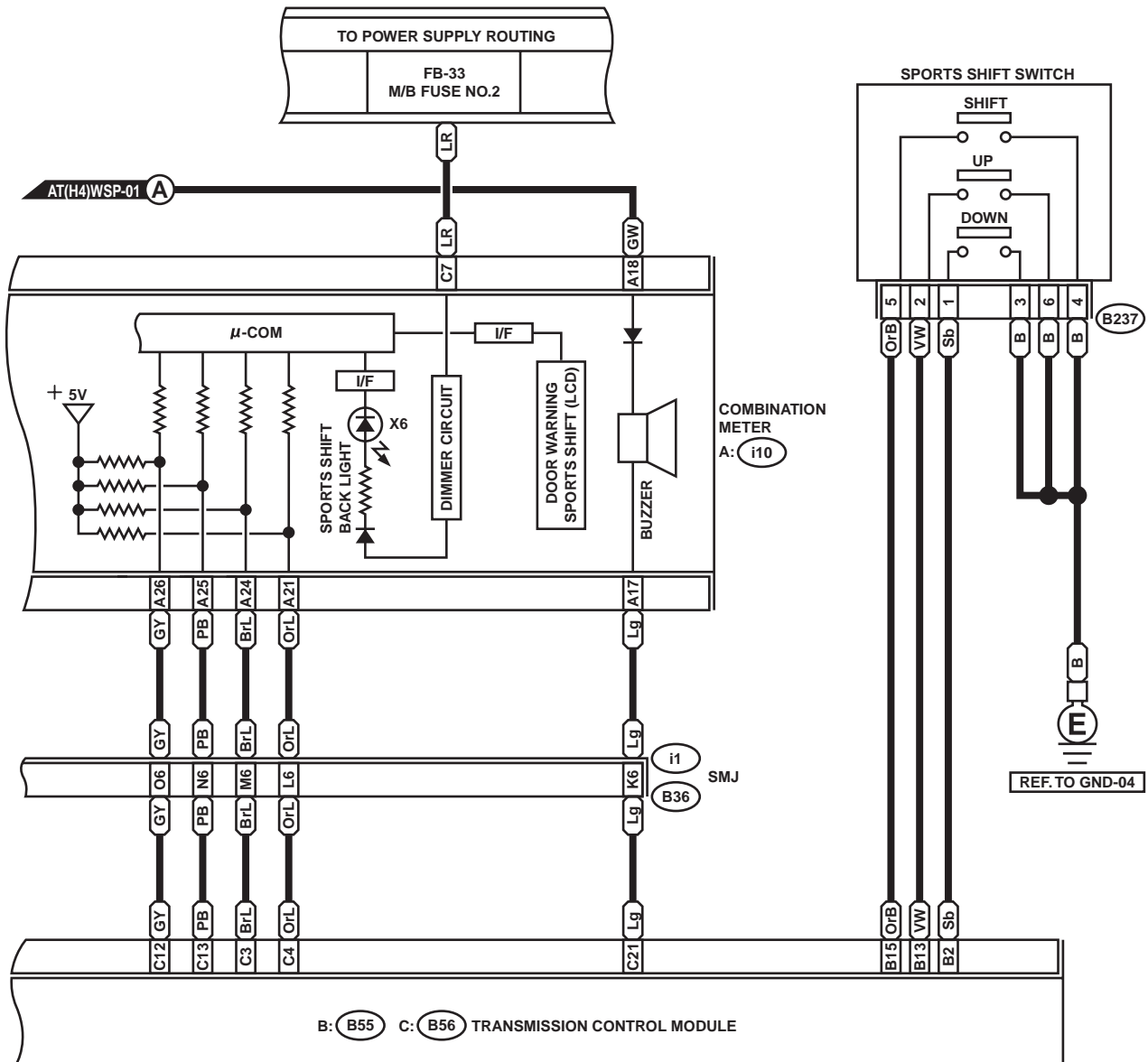
WI-00549

A/T CONTROL SYSTEM

WIRING SYSTEM

AT(H4)WSP-02

AT(H4)WSP-02



B237 (BLACK)

1	2
3	4
5	6

B: B55 (GRAY)

1	2	3	4	5	6	7	8	9
10	11	12	13	14	15	16	17	18
19	20	21		22	23	24		

C: B56 (GREEN)

1	2	3	4	5	6	7	8	9
10	11	12	13	14	15	16	17	18
19	20	21		22	23	24		

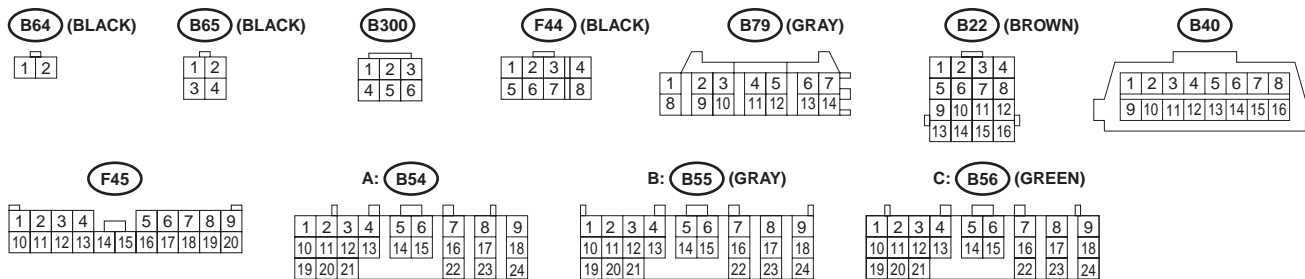
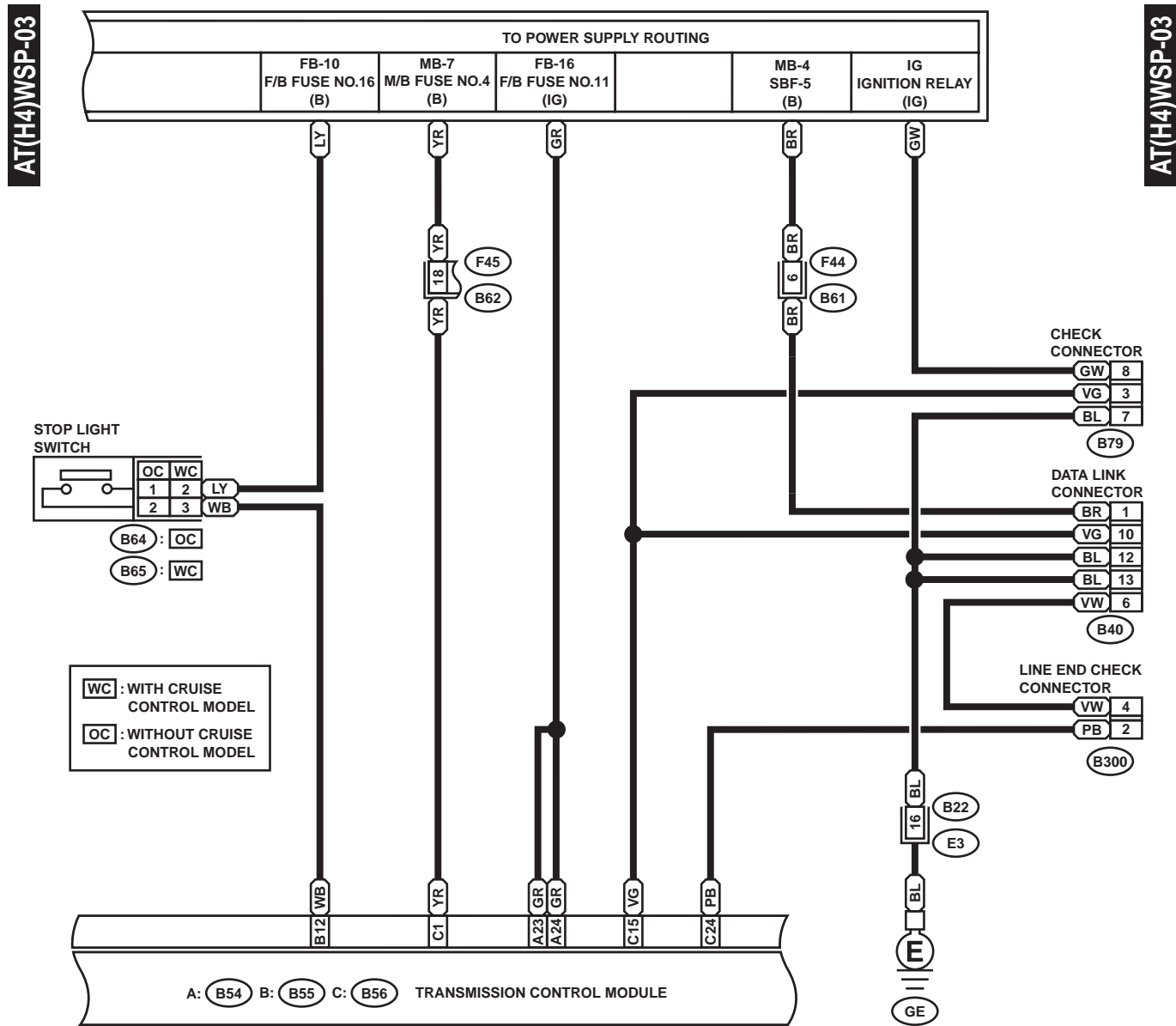
A: i10 (GREEN)

1	2	3	4	5	6	7	8	9	10	11	12	13	14		
15	16	17	18	19	20	21	22	23	24	25	26	27	28	29	30

WI-00550

A/T CONTROL SYSTEM

WIRING SYSTEM



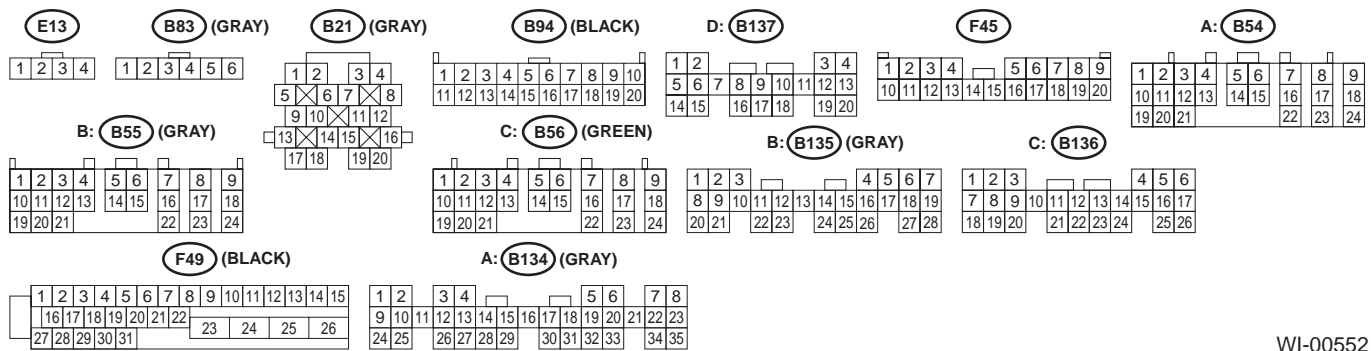
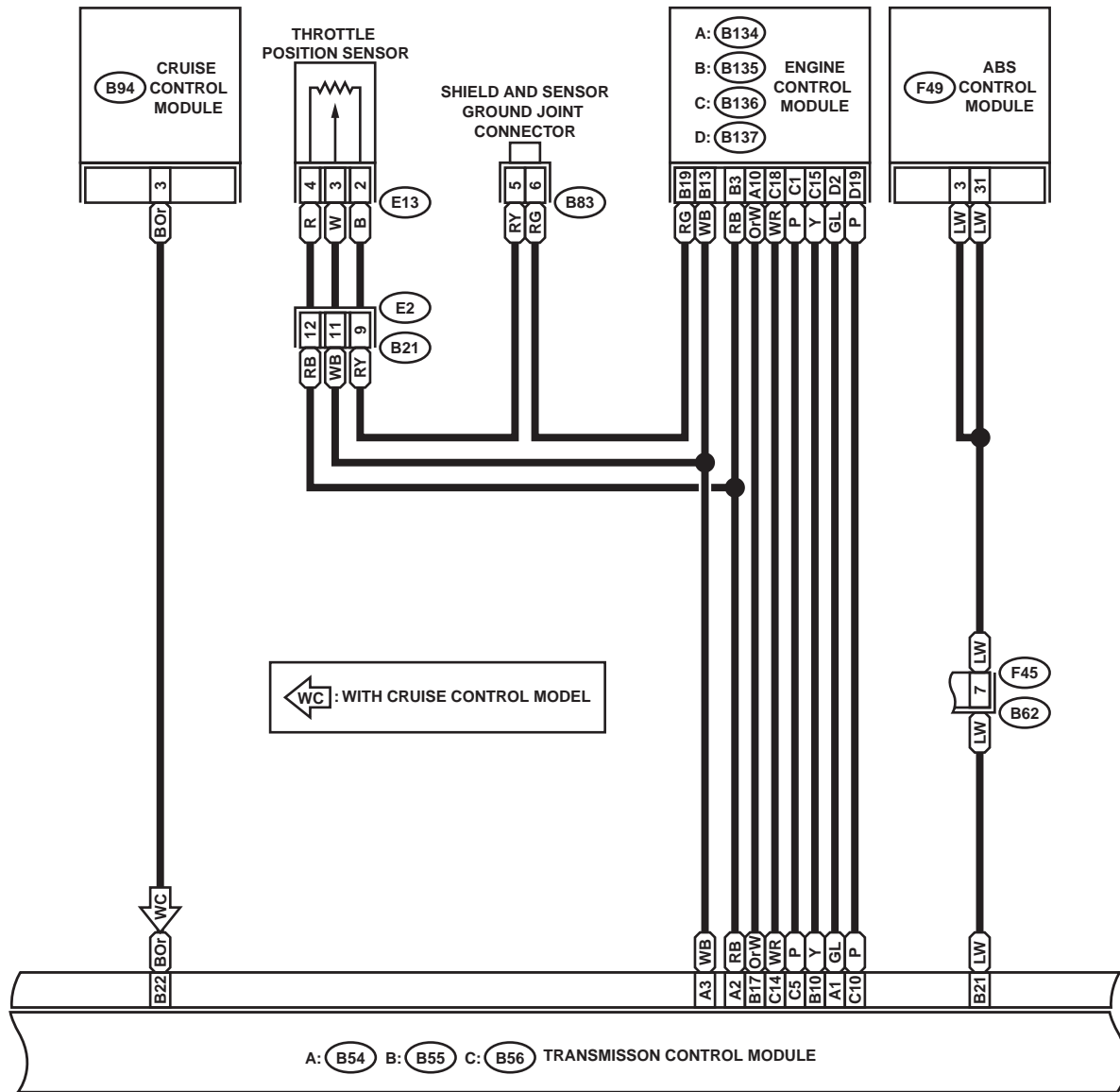
WI-00551

A/T CONTROL SYSTEM

WIRING SYSTEM

AT(H4)WSP-04

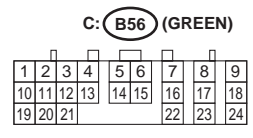
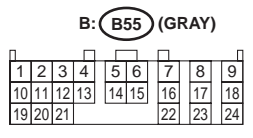
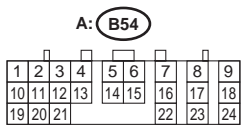
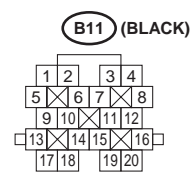
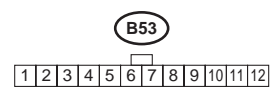
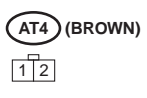
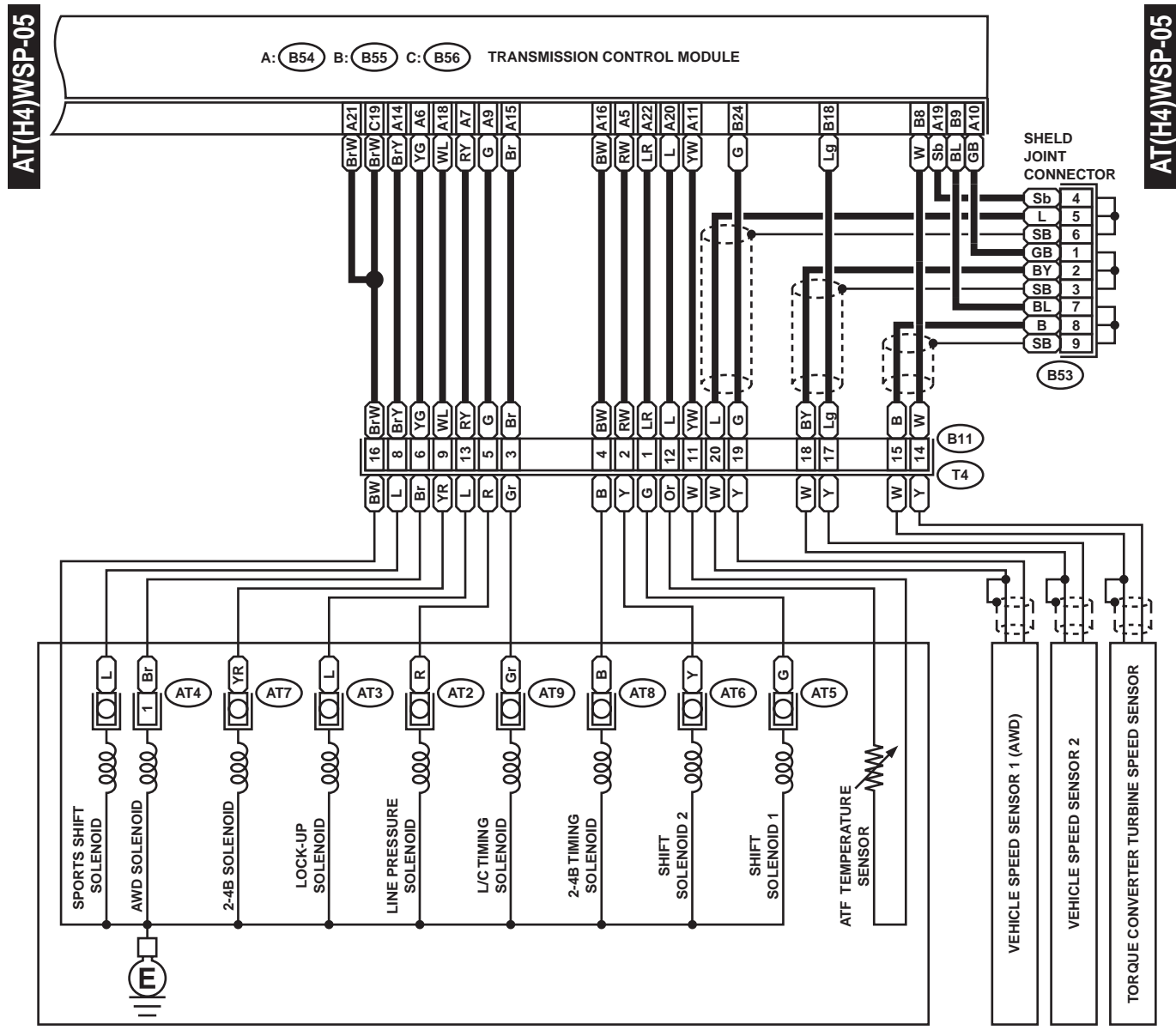
AT(H4)WSP-04



WI-00552

A/T CONTROL SYSTEM

WIRING SYSTEM

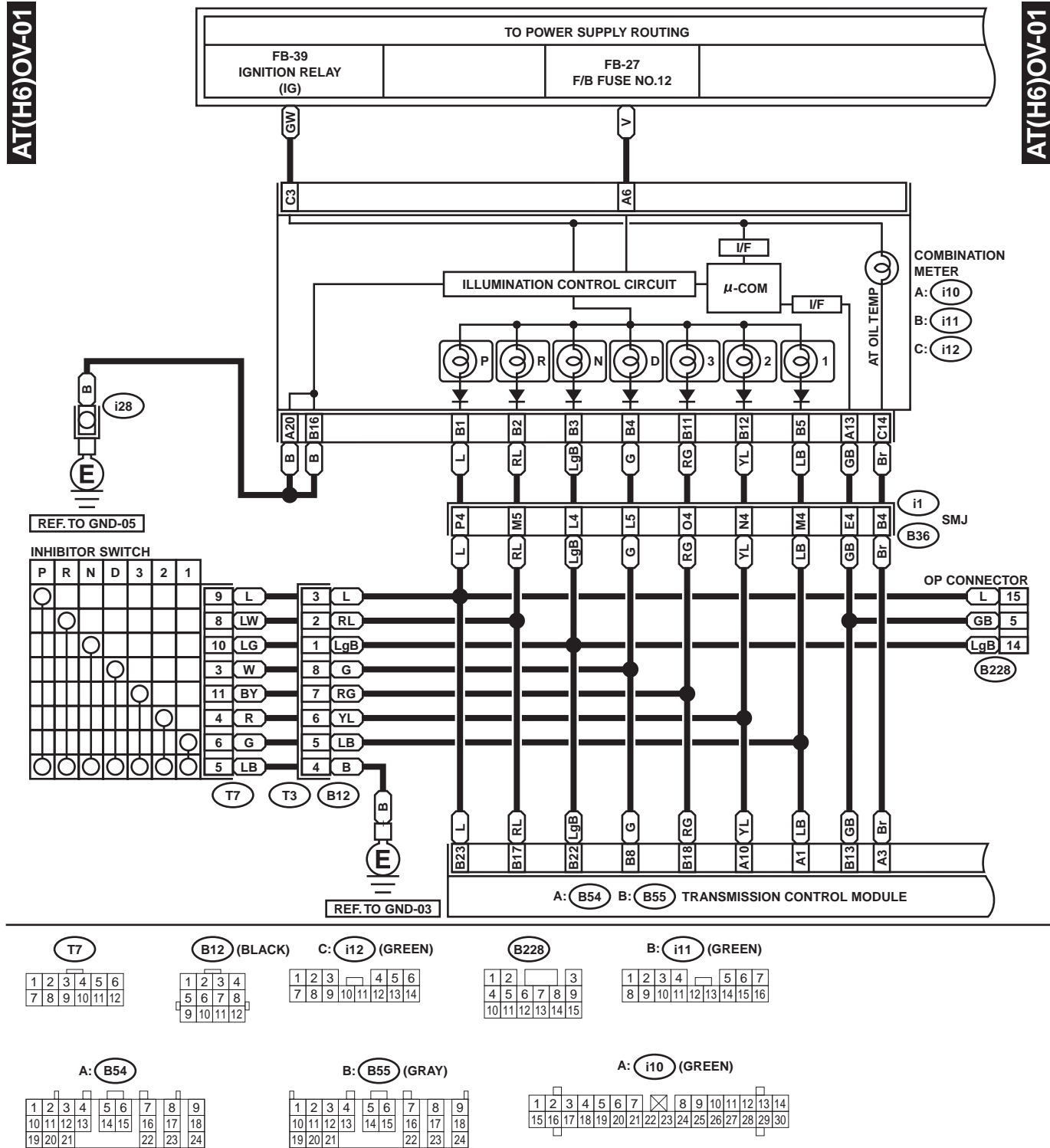


WI-00553

A/T CONTROL SYSTEM

WIRING SYSTEM

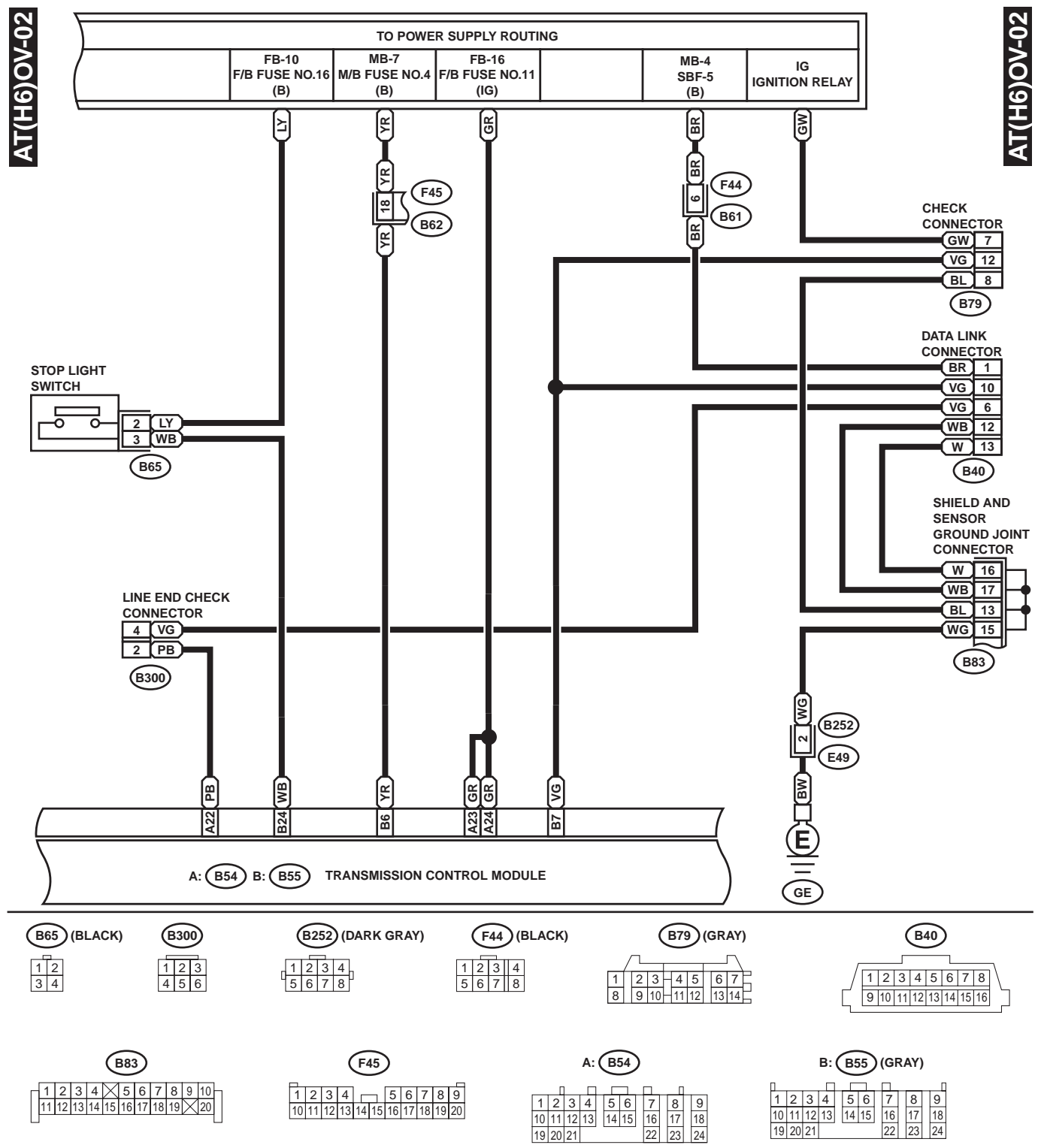
3. 6-CYLINDER ENGINE WITHOUT VDC MODEL



WI-00559

A/T CONTROL SYSTEM

WIRING SYSTEM



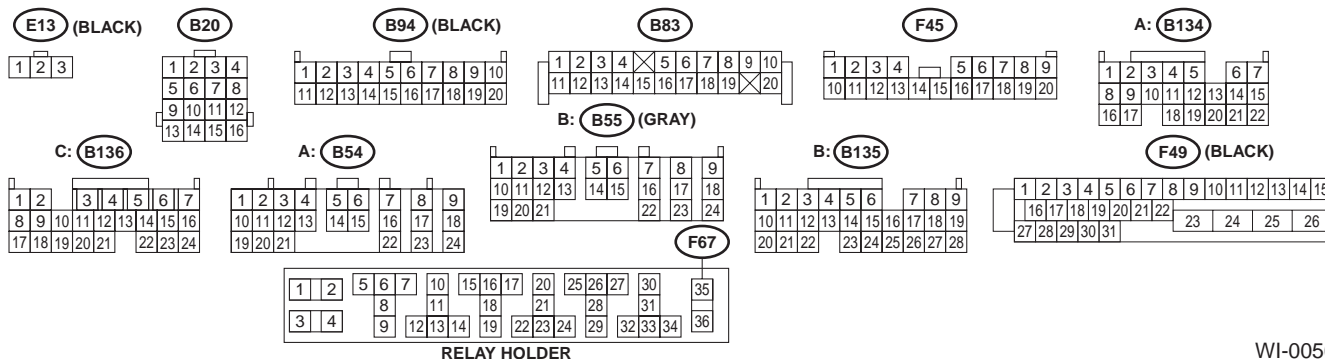
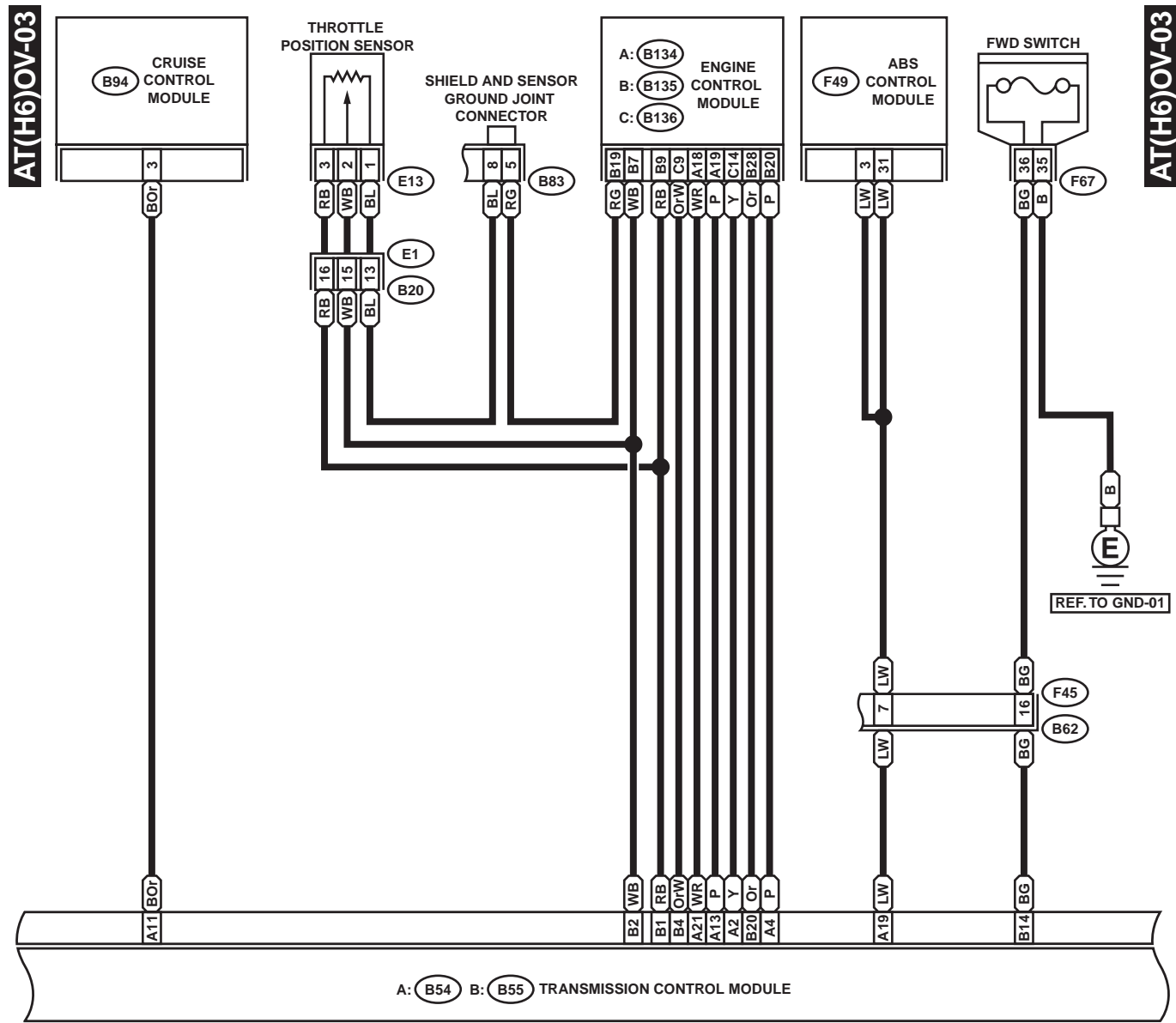
AT(H6)OV-02

AT(H6)OV-02

WI-00560

A/T CONTROL SYSTEM

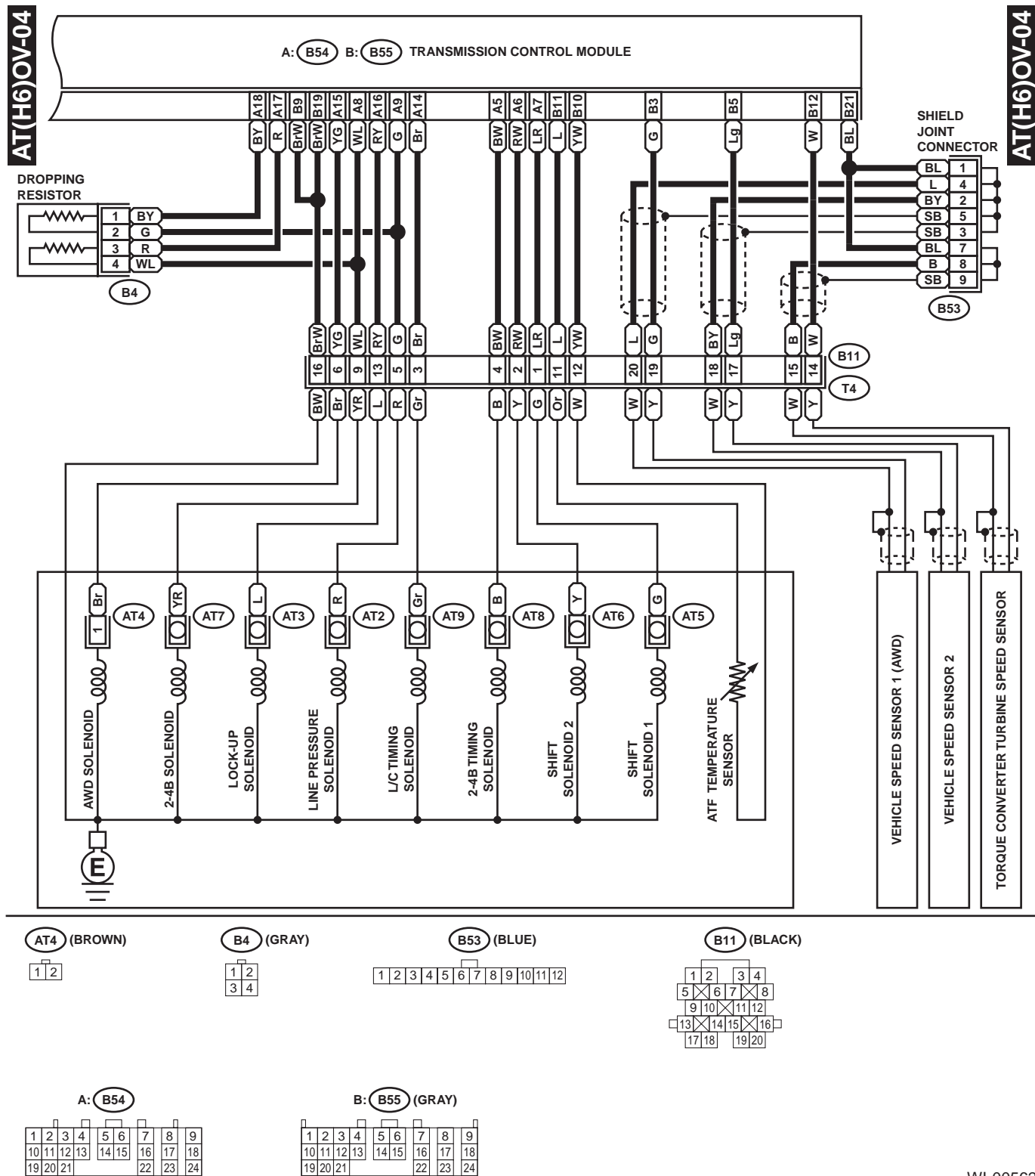
WIRING SYSTEM



WI-00561

A/T CONTROL SYSTEM

WIRING SYSTEM

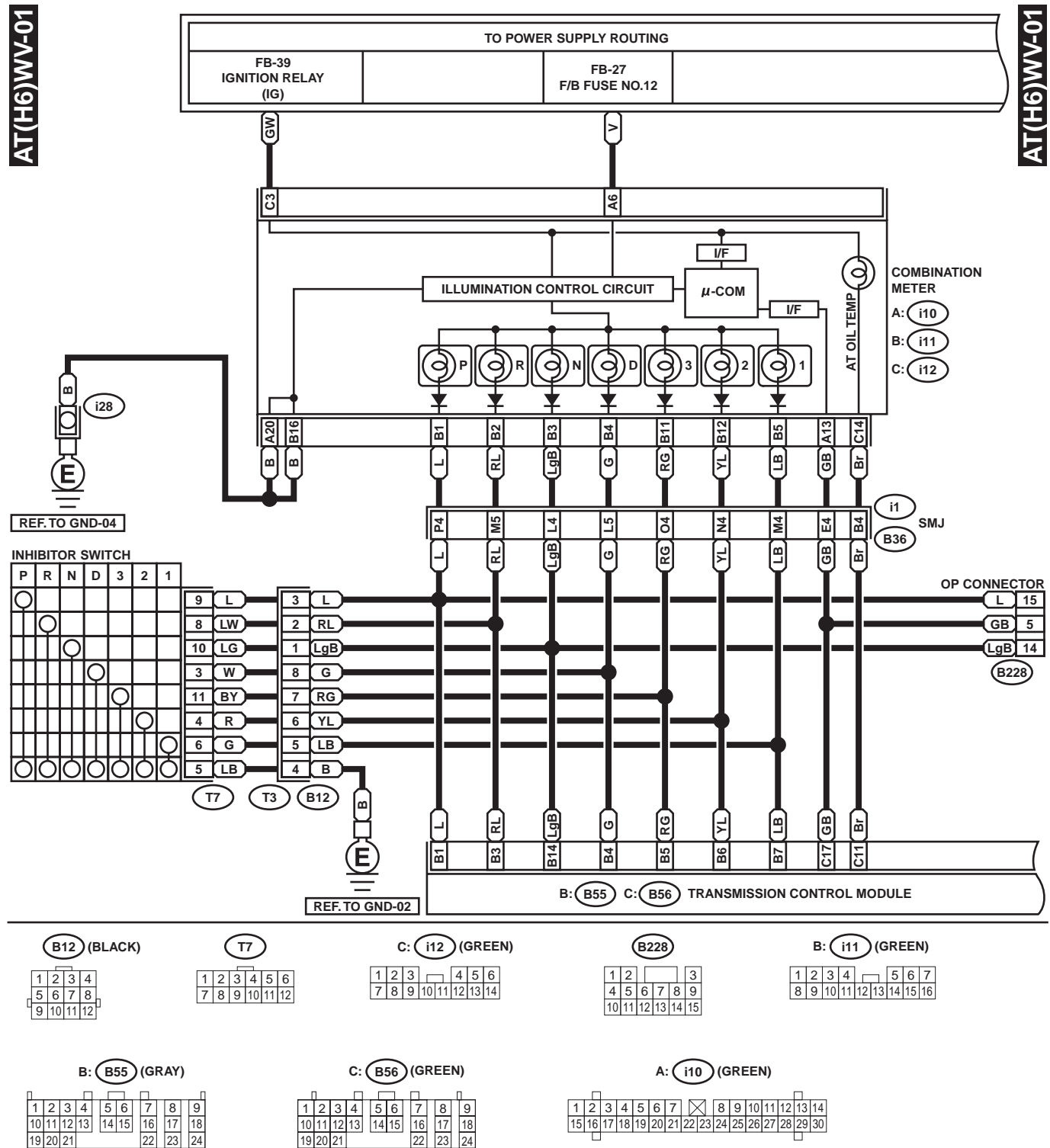


WI-00562

A/T CONTROL SYSTEM

WIRING SYSTEM

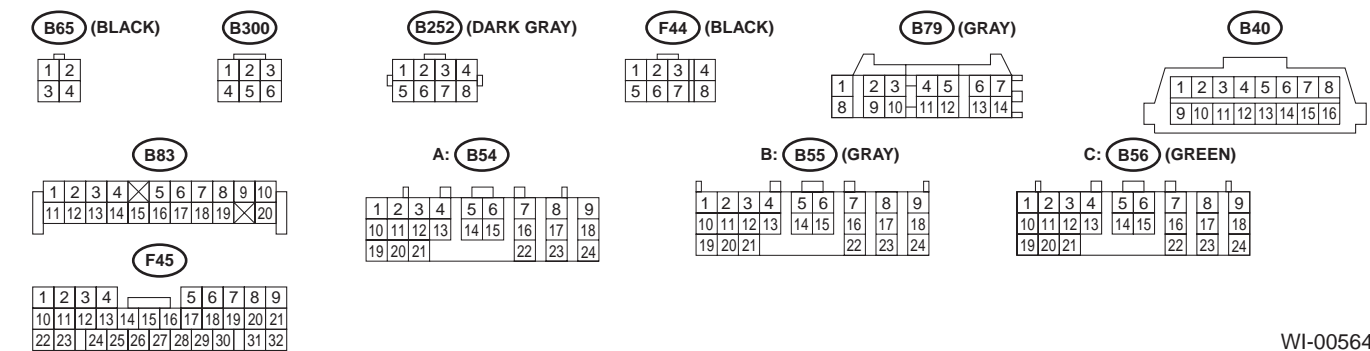
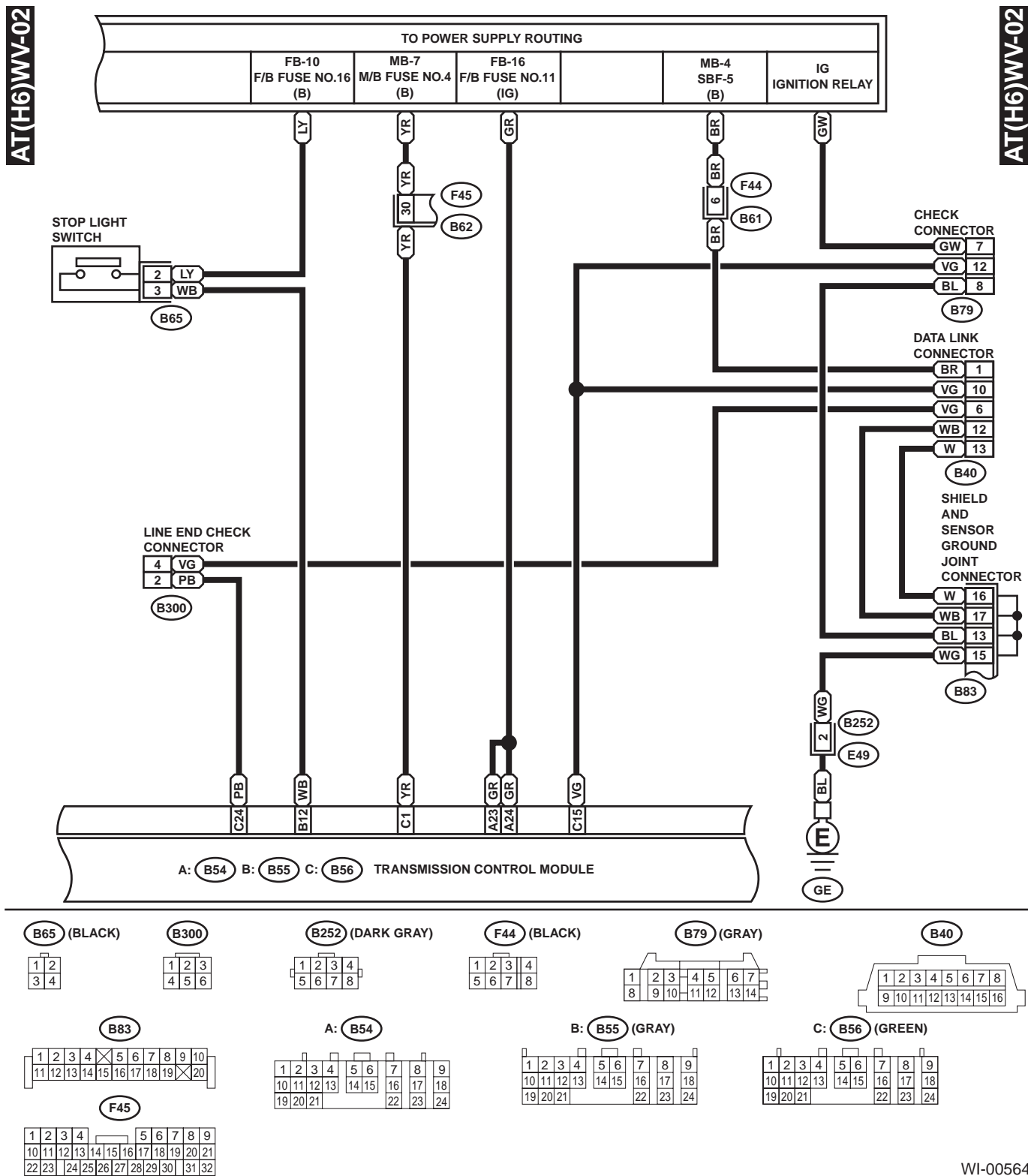
4. 6-CYLINDER ENGINE WITH VDC MODEL



WI-00563

A/T CONTROL SYSTEM

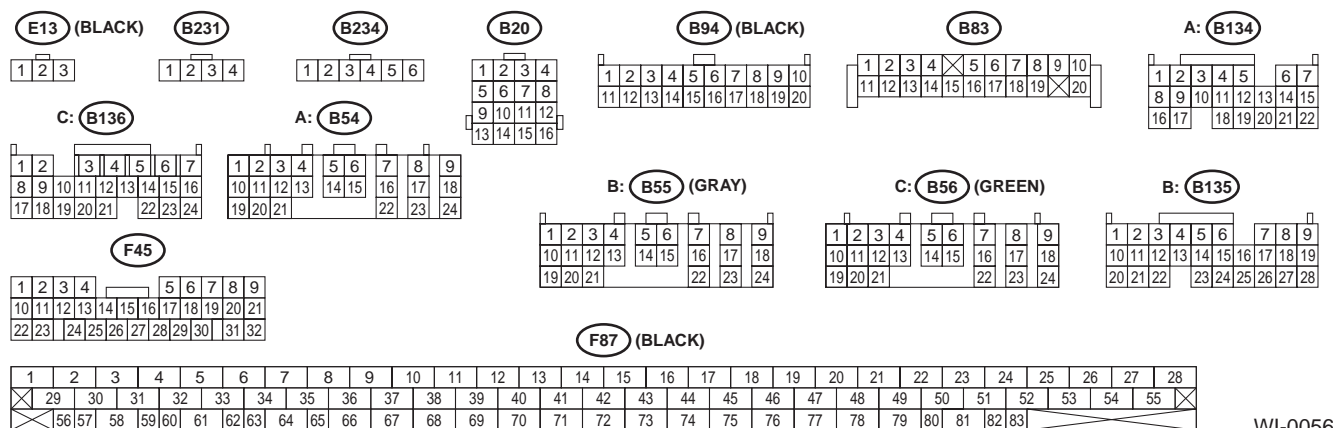
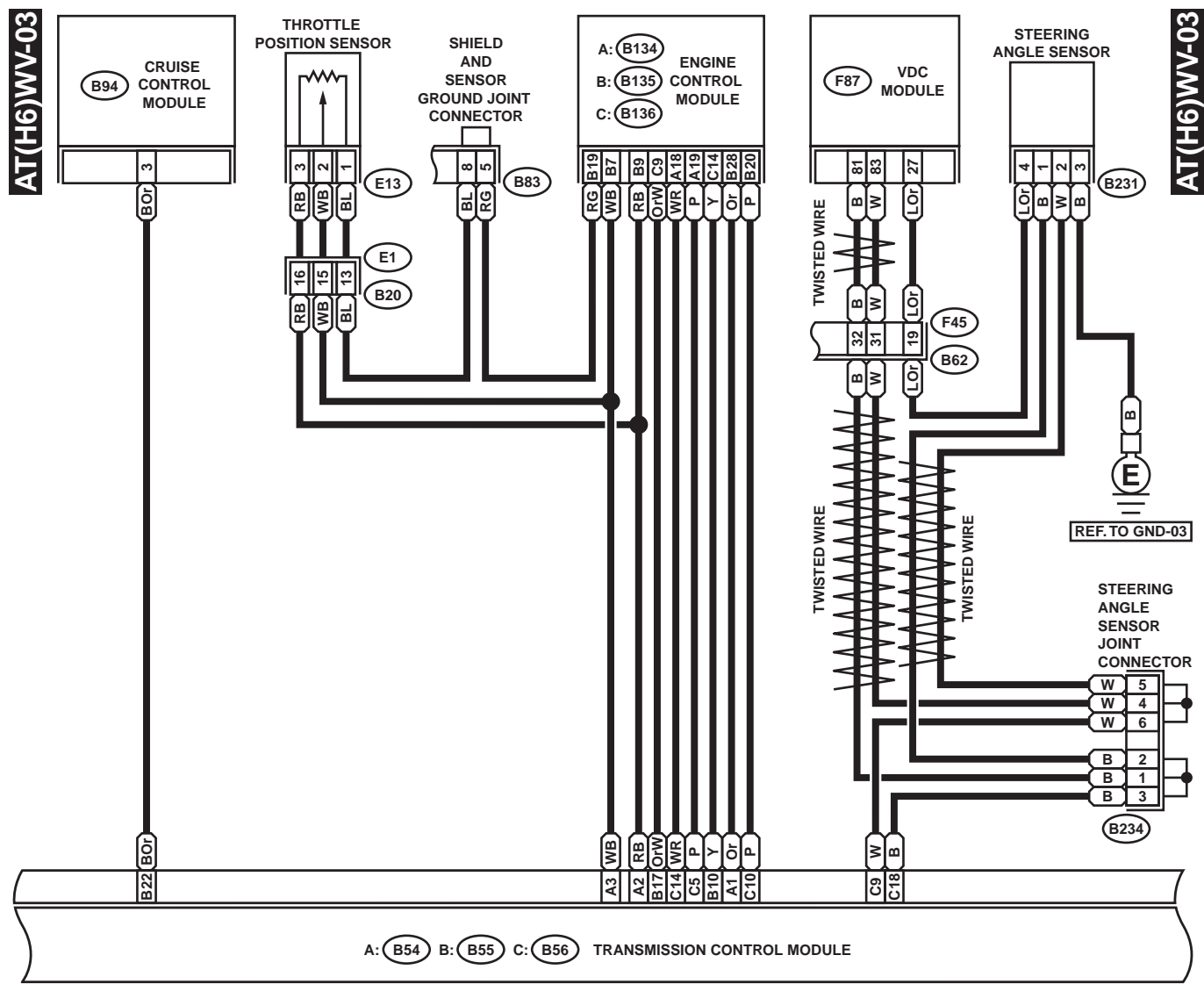
WIRING SYSTEM



WI-00564

A/T CONTROL SYSTEM

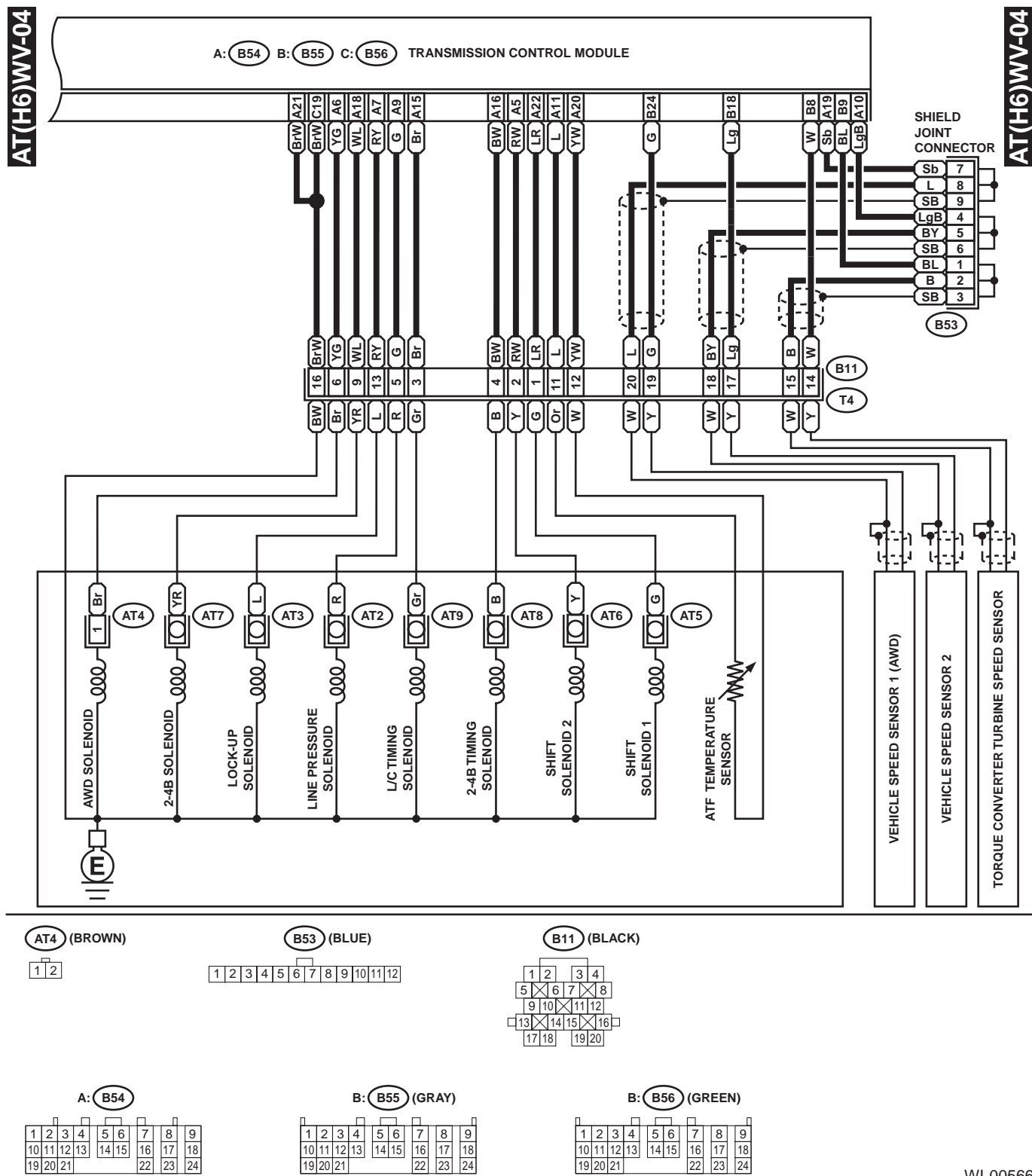
WIRING SYSTEM



WI-00565

A/T CONTROL SYSTEM

WIRING SYSTEM



WI-00566

A/T CONTROL SYSTEM

WIRING SYSTEM

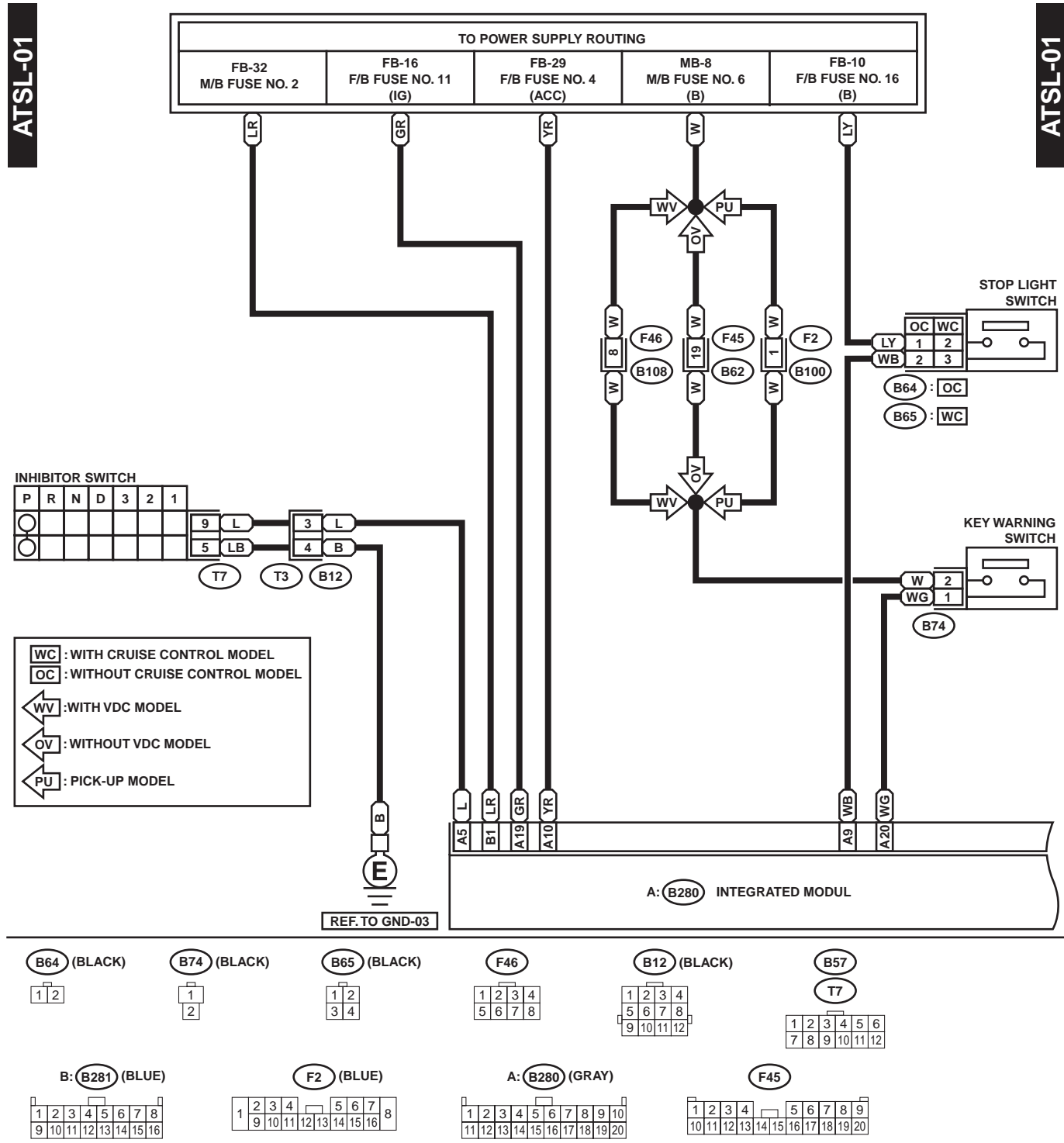
MEMO:

A/T SHIFT LOCK CONTROL SYSTEM

WIRING SYSTEM

11.A/T Shift Lock Control System

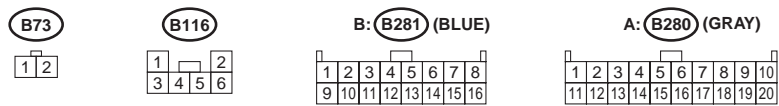
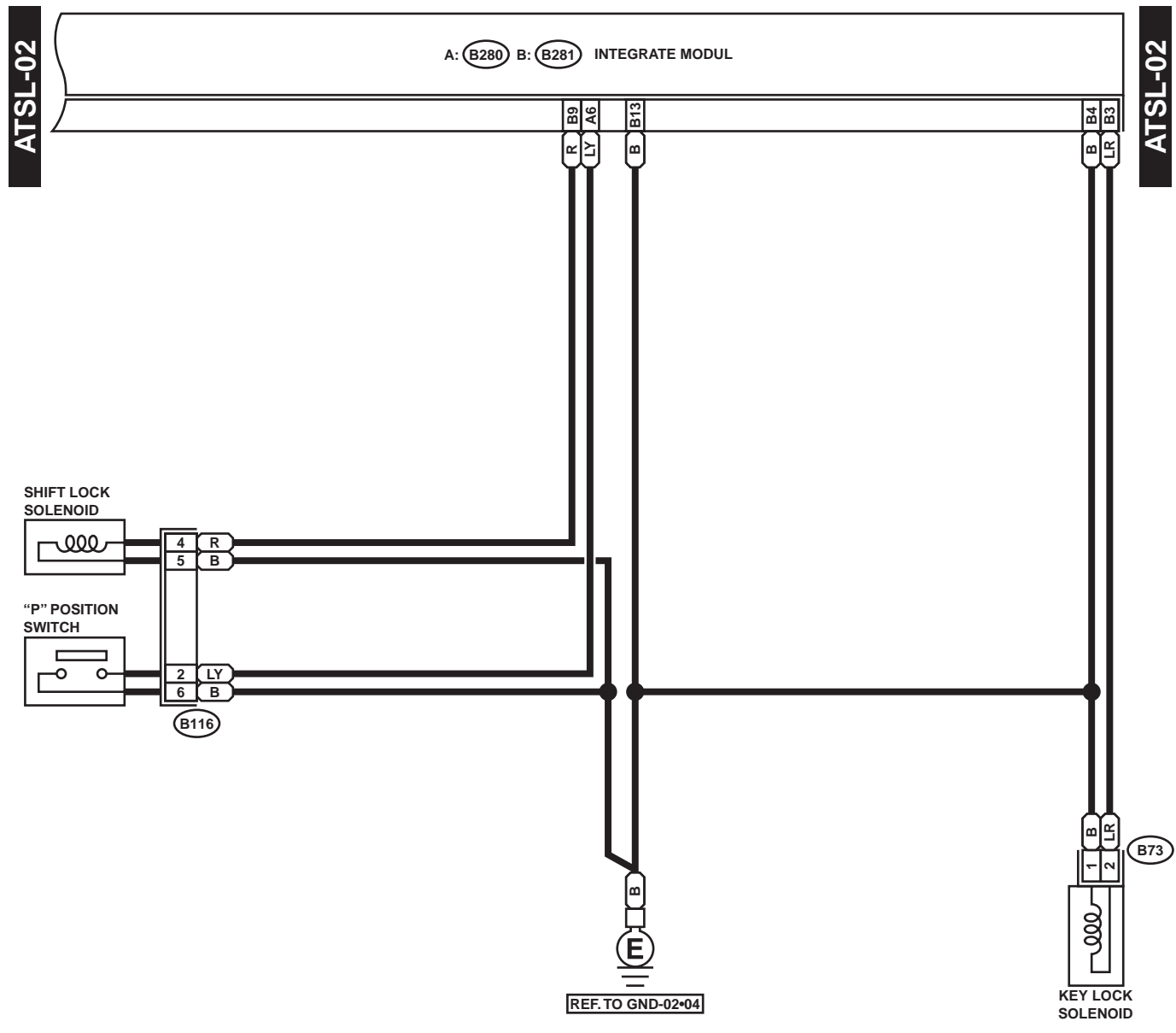
A: SCHEMATIC



WI-00567

A/T SHIFT LOCK CONTROL SYSTEM

WIRING SYSTEM



WI-00568

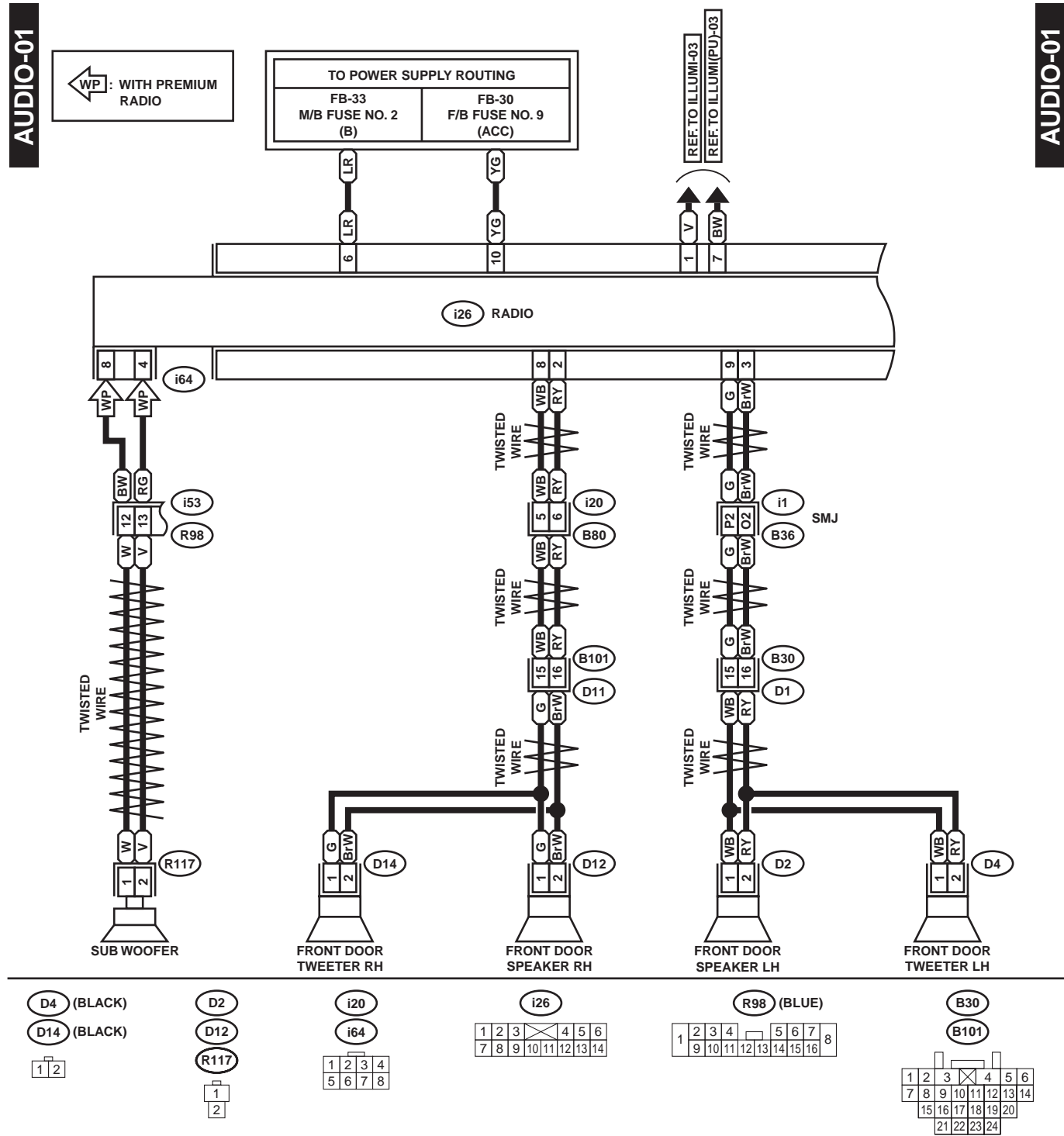
AUDIO SYSTEM

WIRING SYSTEM

12.Audio System

A: SCHEMATIC

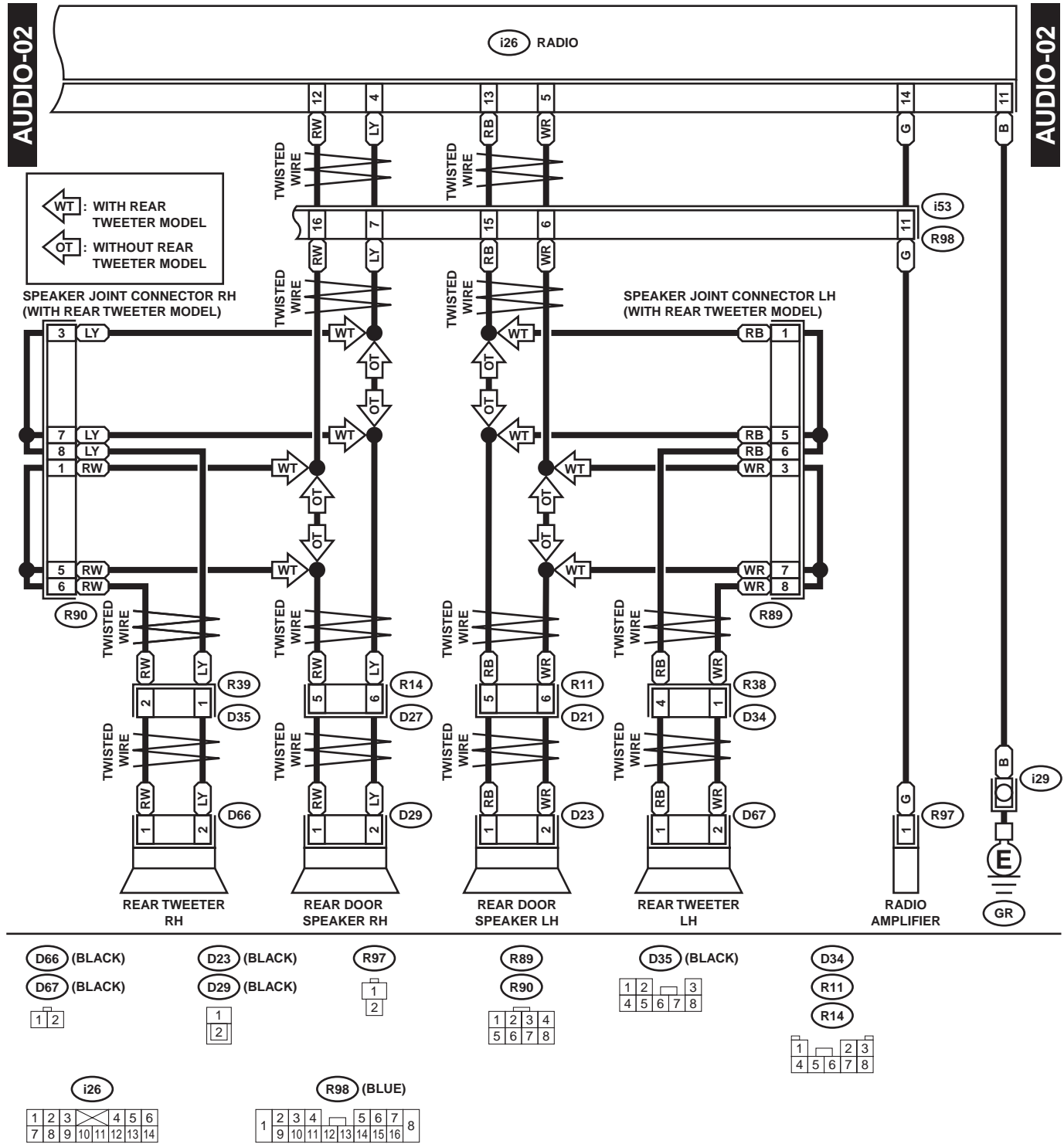
1. EXCEPT MCINTOSH AUDIO MODEL



WI-00569

AUDIO SYSTEM

WIRING SYSTEM

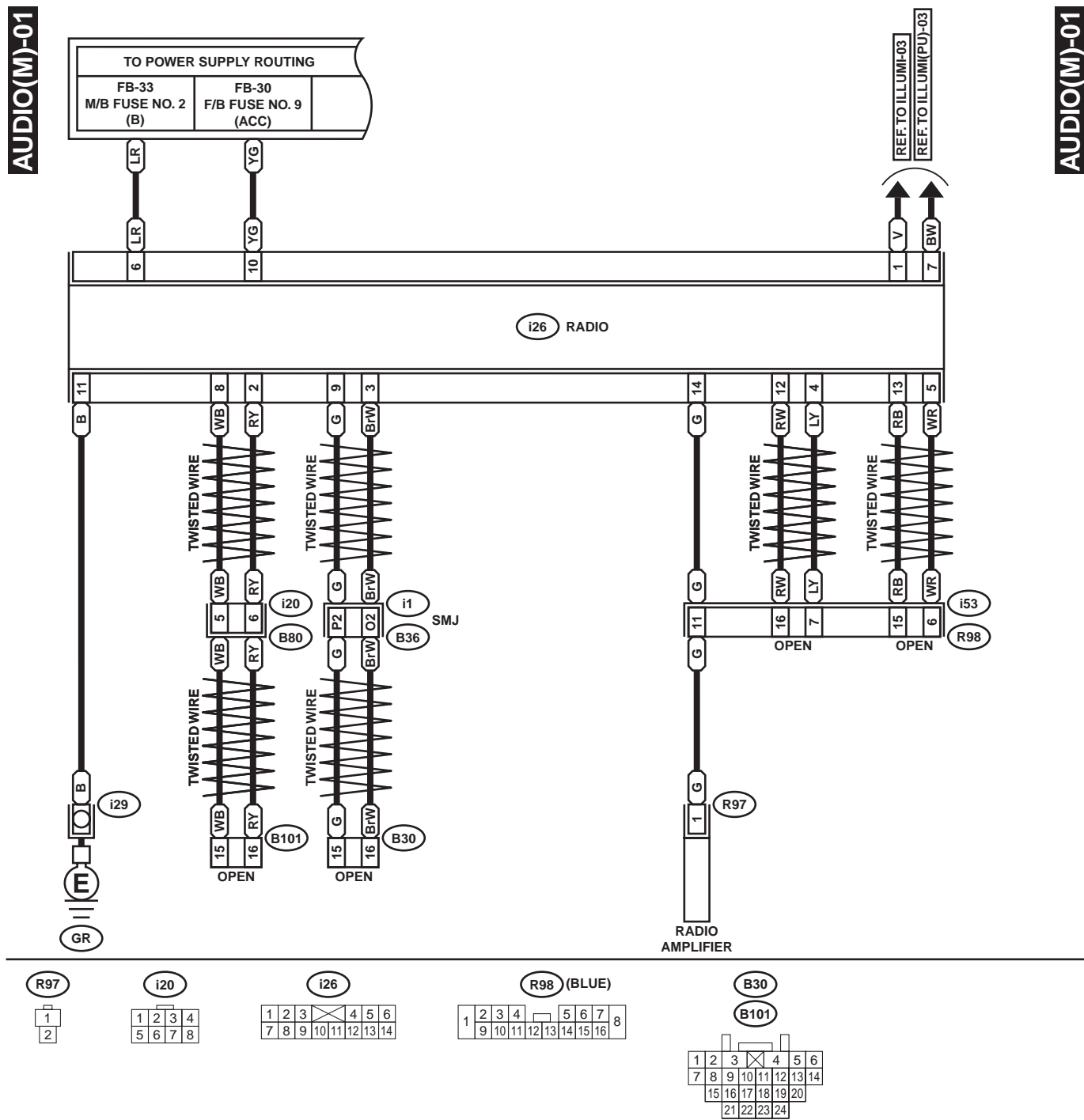


WI-00570

AUDIO SYSTEM

WIRING SYSTEM

2. MCINTOSH AUDIO MODEL



AUDIO(M)-01

AUDIO(M)-01

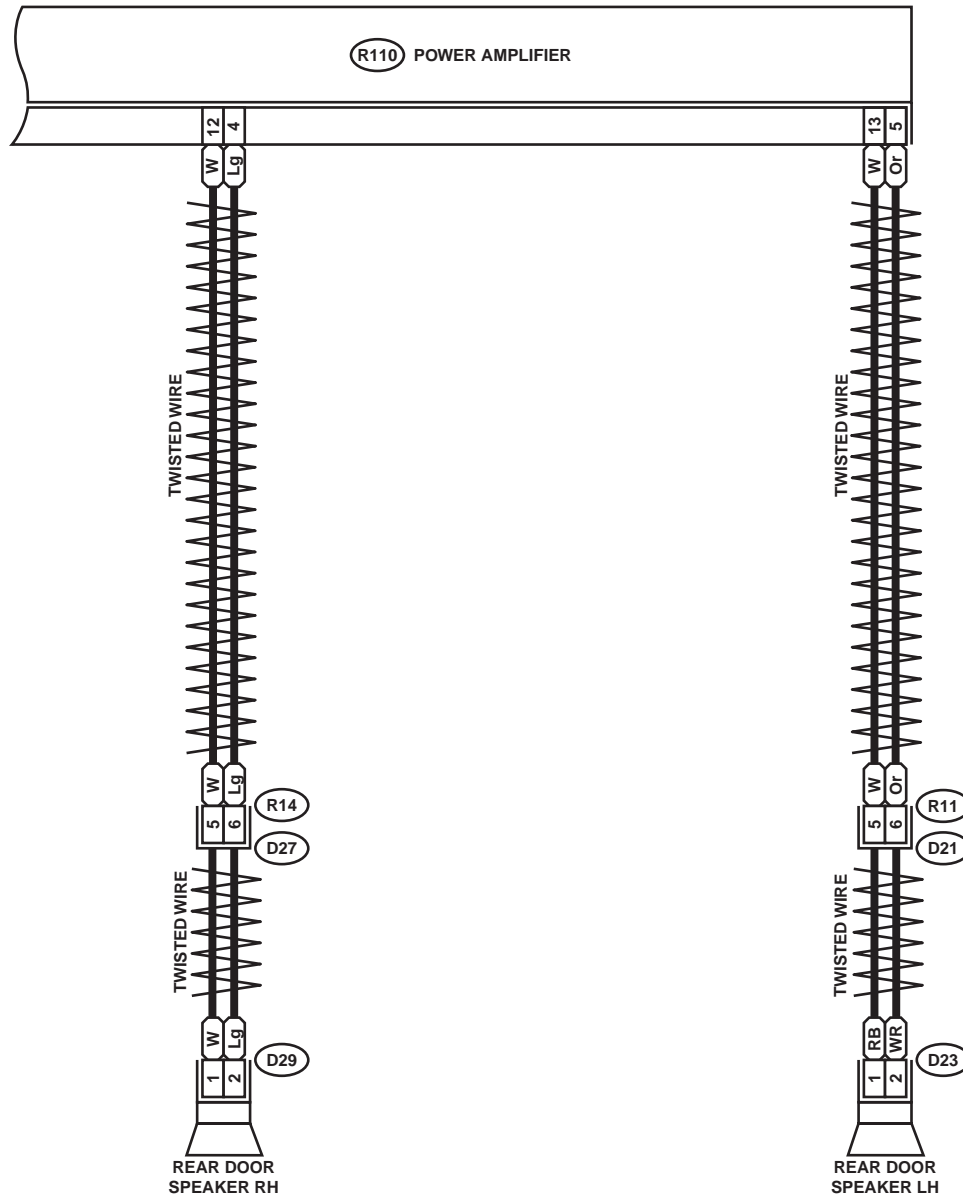
WI-00571

AUDIO SYSTEM

WIRING SYSTEM

AUDIO(M)-03

AUDIO(M)-03



- D23** (BLACK)
- D29** (BLACK)

1
2

1	2	3
4	5	6
7	8	

R110

1	2	3	4	5	6
7	8	9	10	11	12
13	14				

WI-00573

AUDIO SYSTEM

WIRING SYSTEM

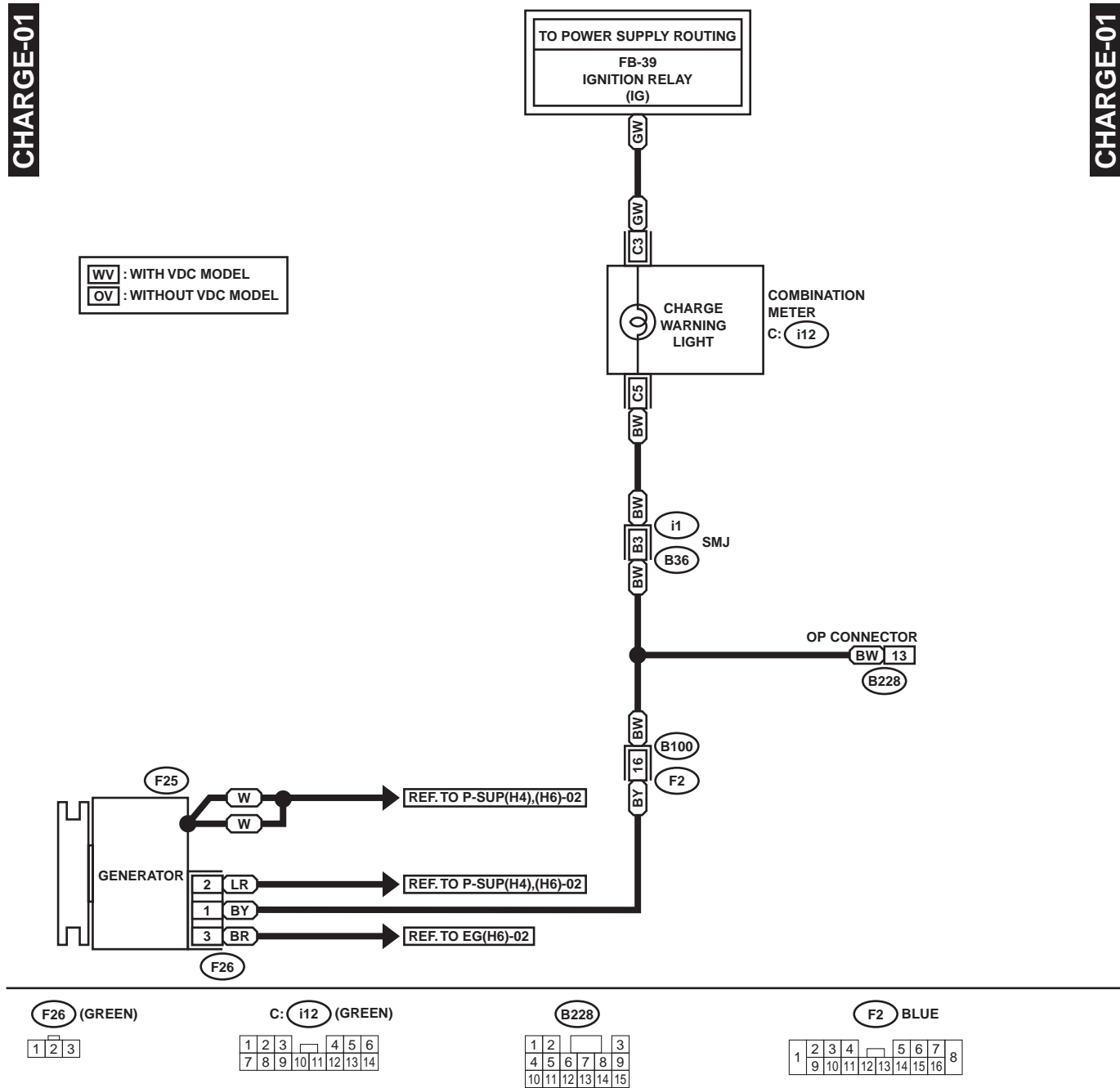
MEMO:

CHARGING SYSTEM

WIRING SYSTEM

13.Charging System

A: SCHEMATIC



WI-00574

CHARGING SYSTEM

WIRING SYSTEM

MEMO:

COMBINATION METER

WIRING SYSTEM

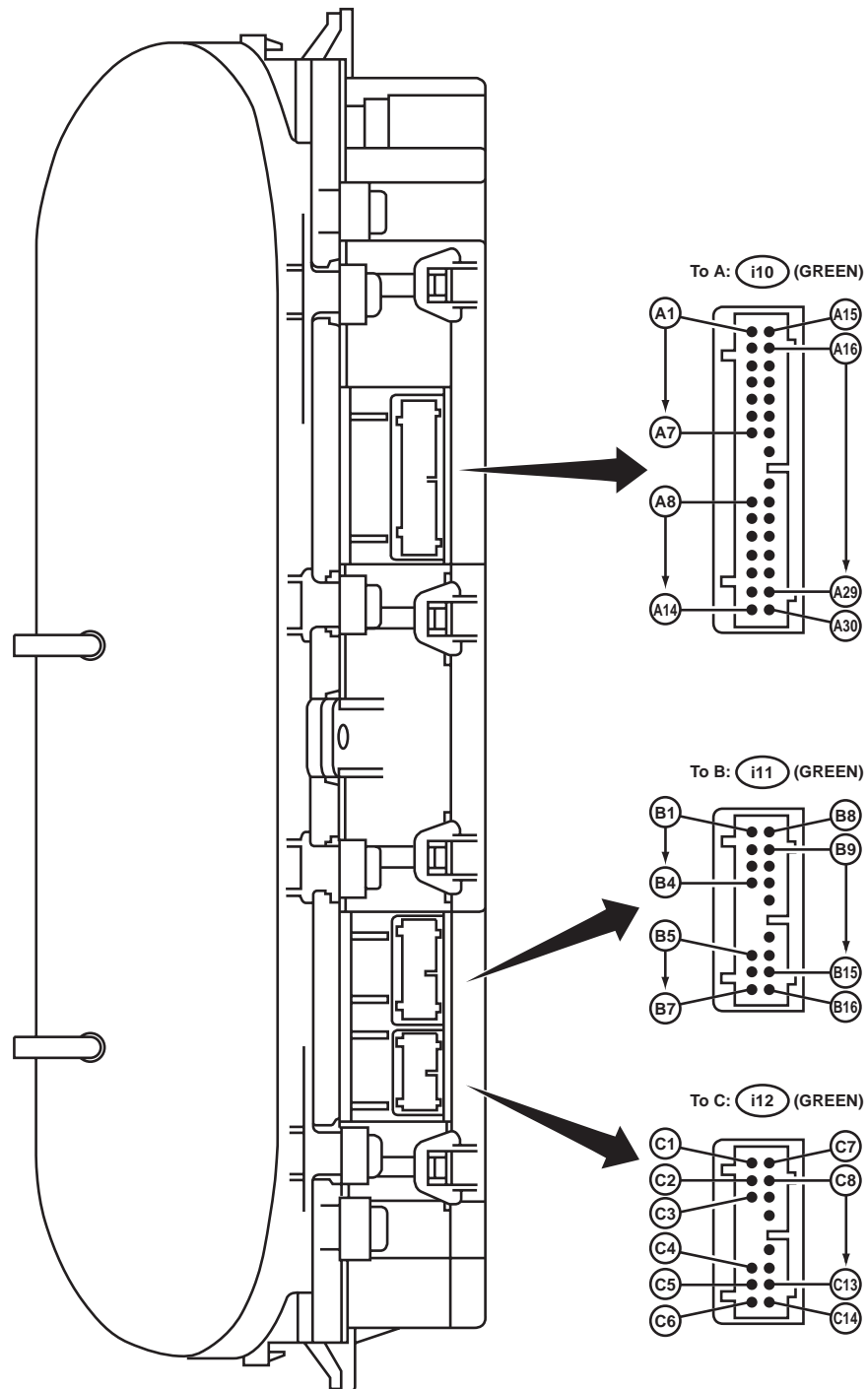
14. Combination Meter

A: SCHEMATIC

1. SPORTS SHIFT MODEL

CM(SP)-01

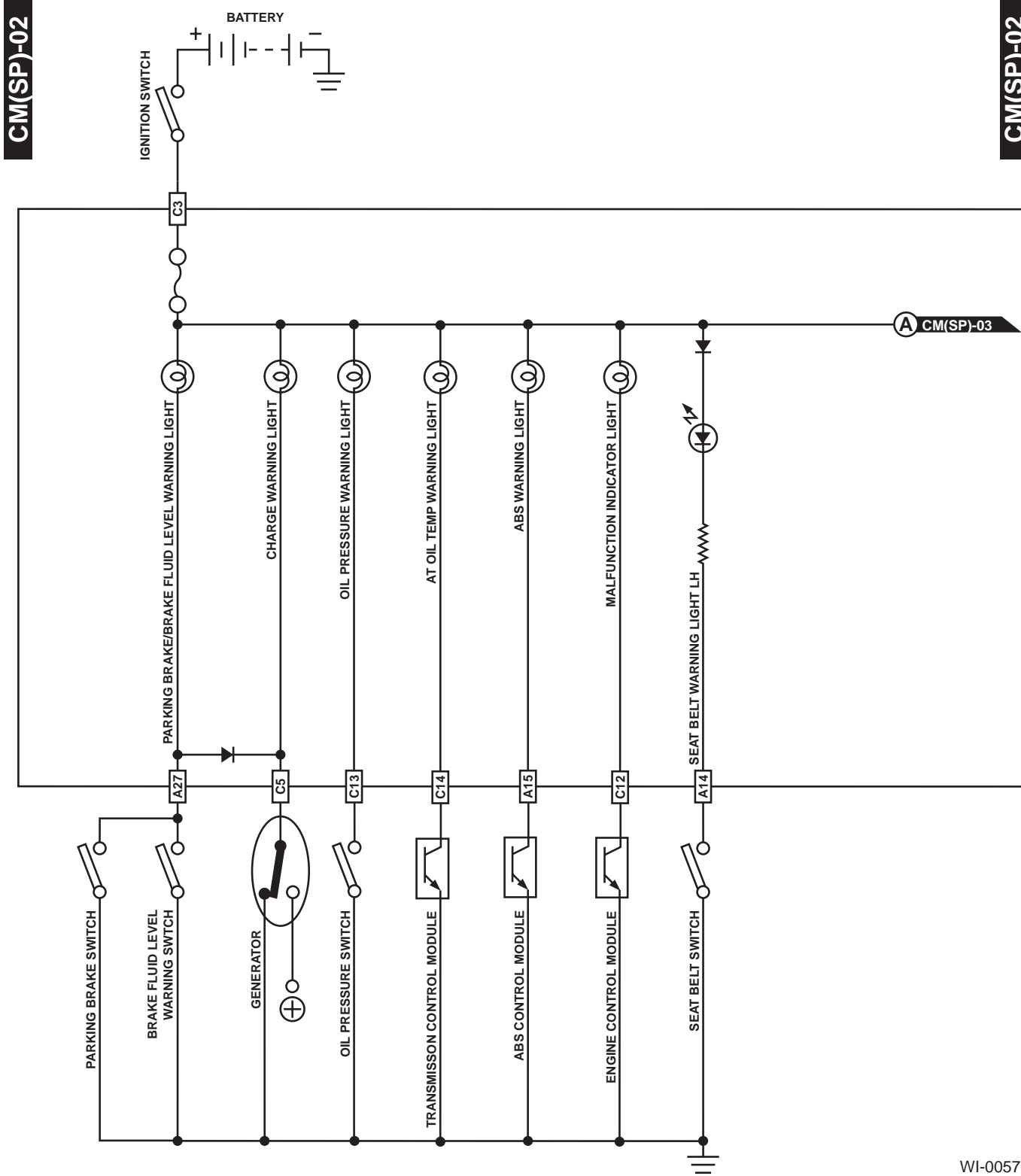
CM(SP)-01



WI-00575

COMBINATION METER

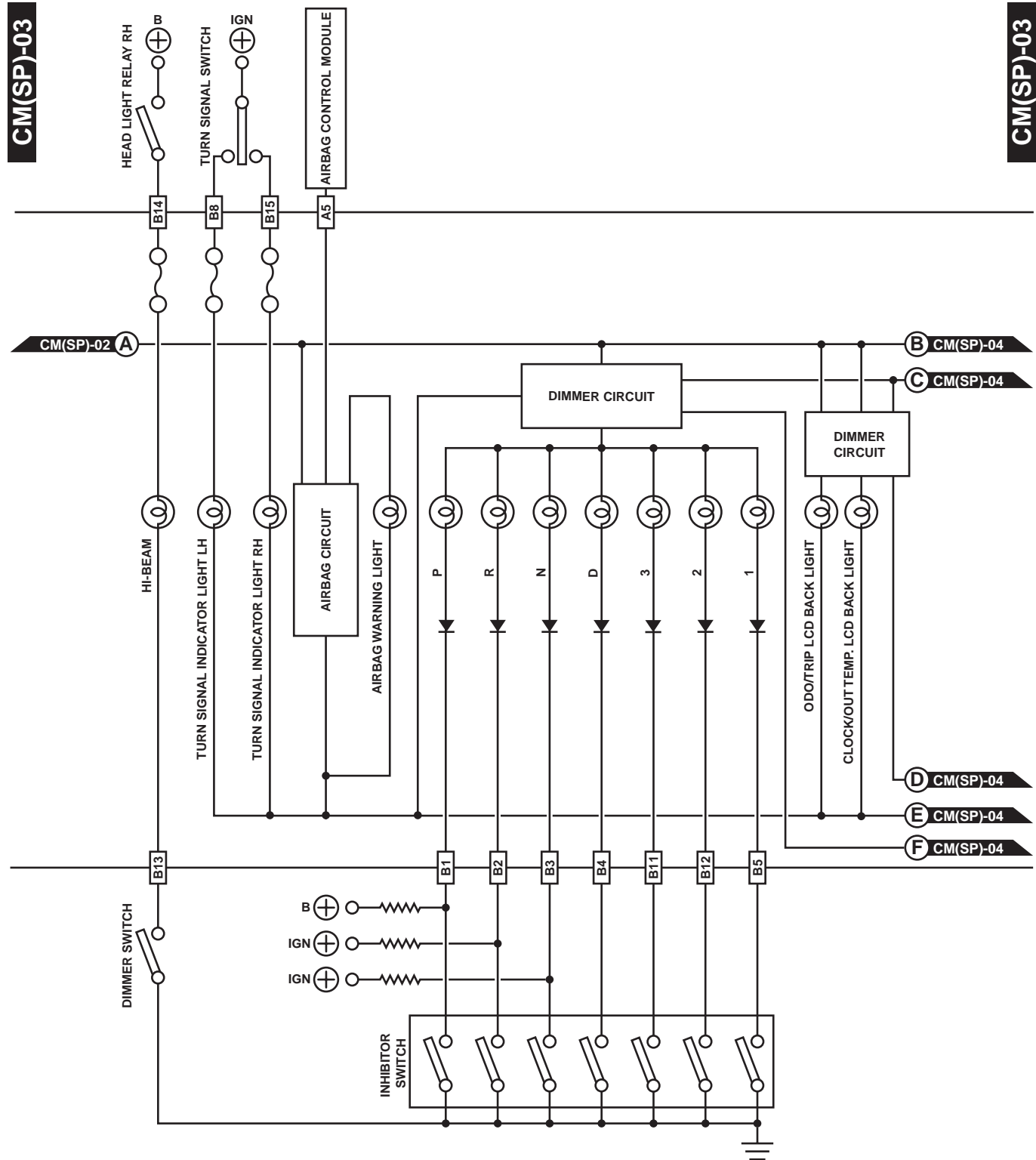
WIRING SYSTEM



WI-00576

COMBINATION METER

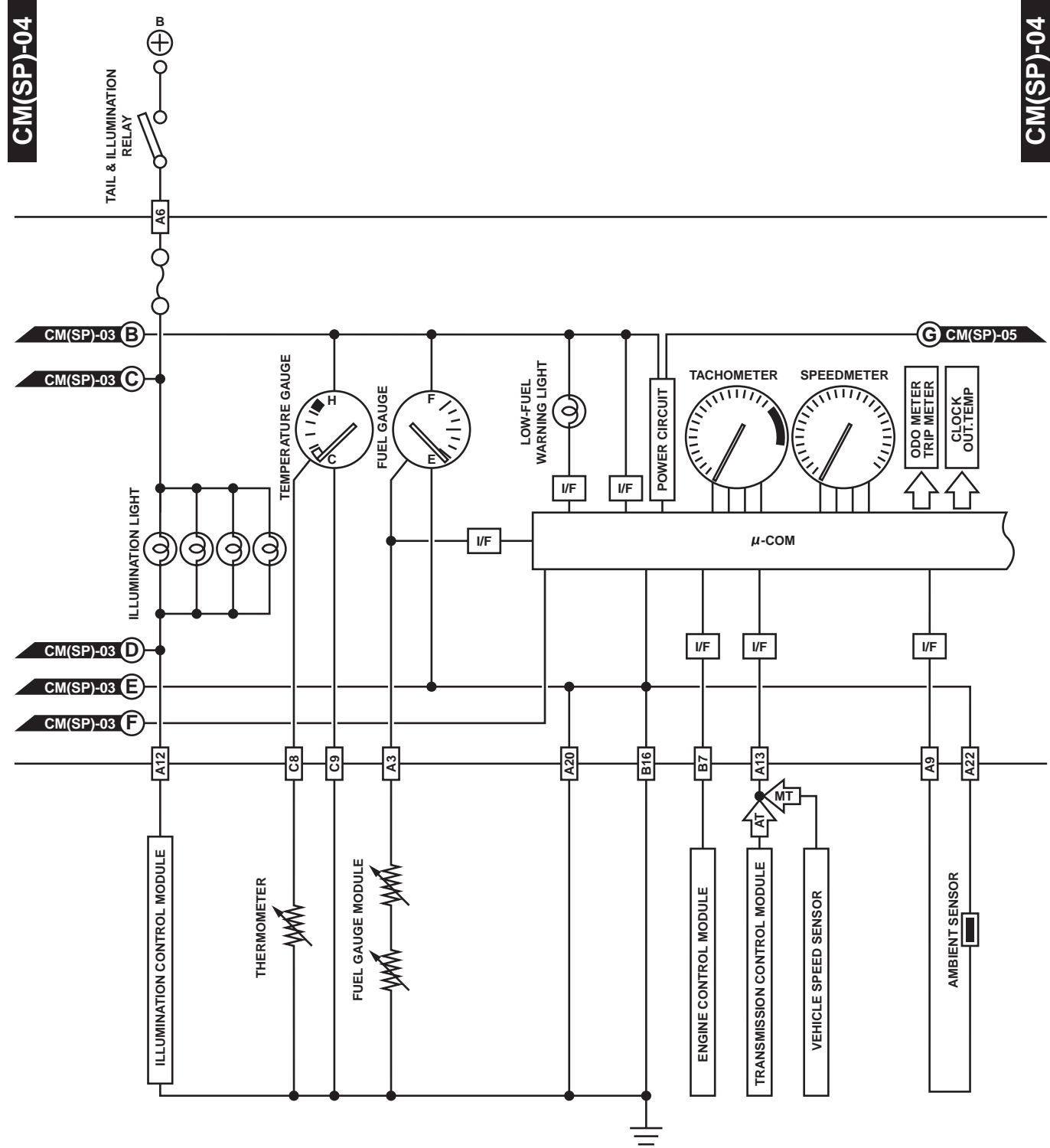
WIRING SYSTEM



WI-00577

COMBINATION METER

WIRING SYSTEM



CM(SP)-04

CM(SP)-04

CM(SP)-03 B

CM(SP)-03 C

CM(SP)-03 D

CM(SP)-03 E

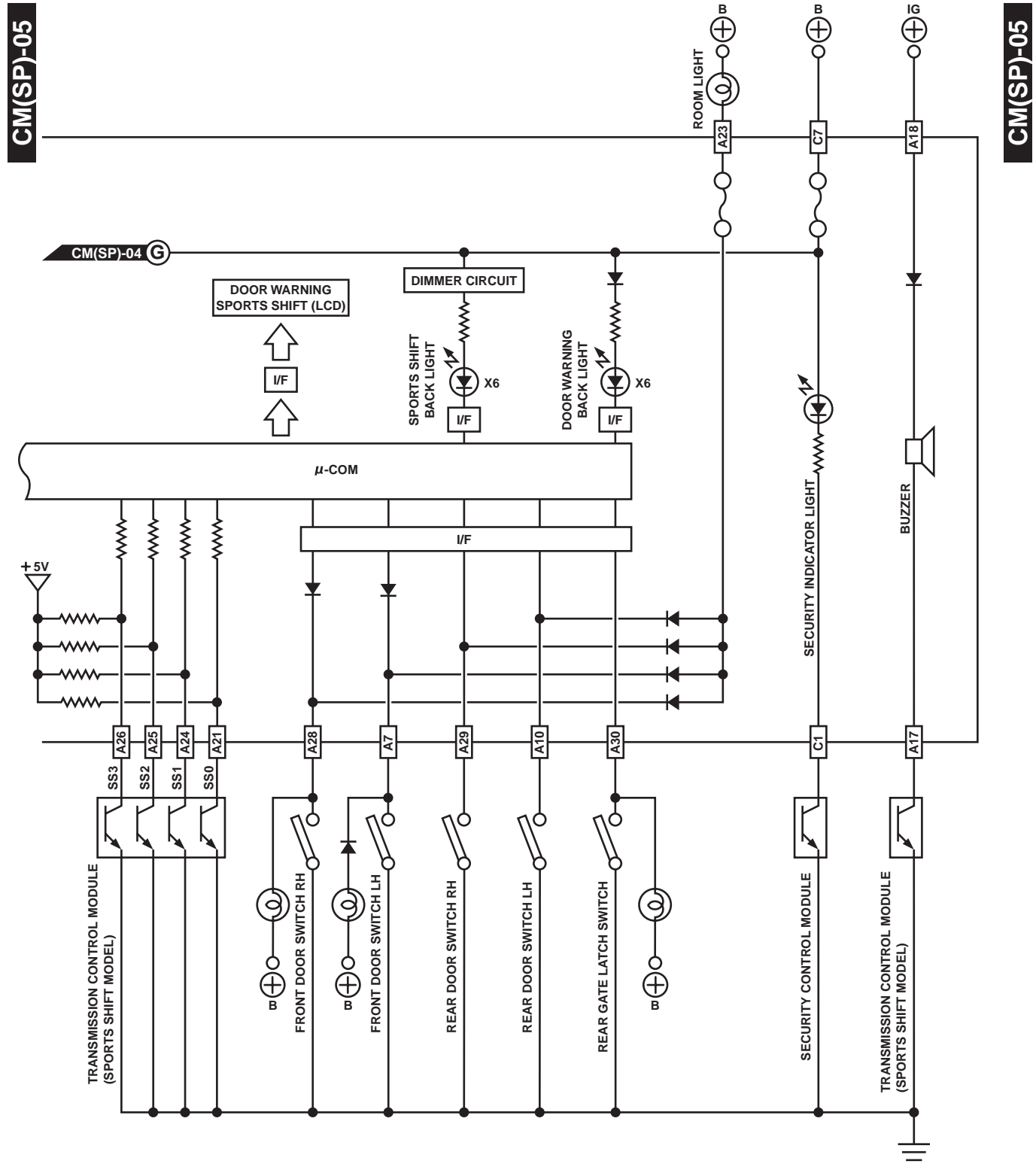
CM(SP)-03 F

CM(SP)-05 G

WI-00578

COMBINATION METER

WIRING SYSTEM



WI-00579

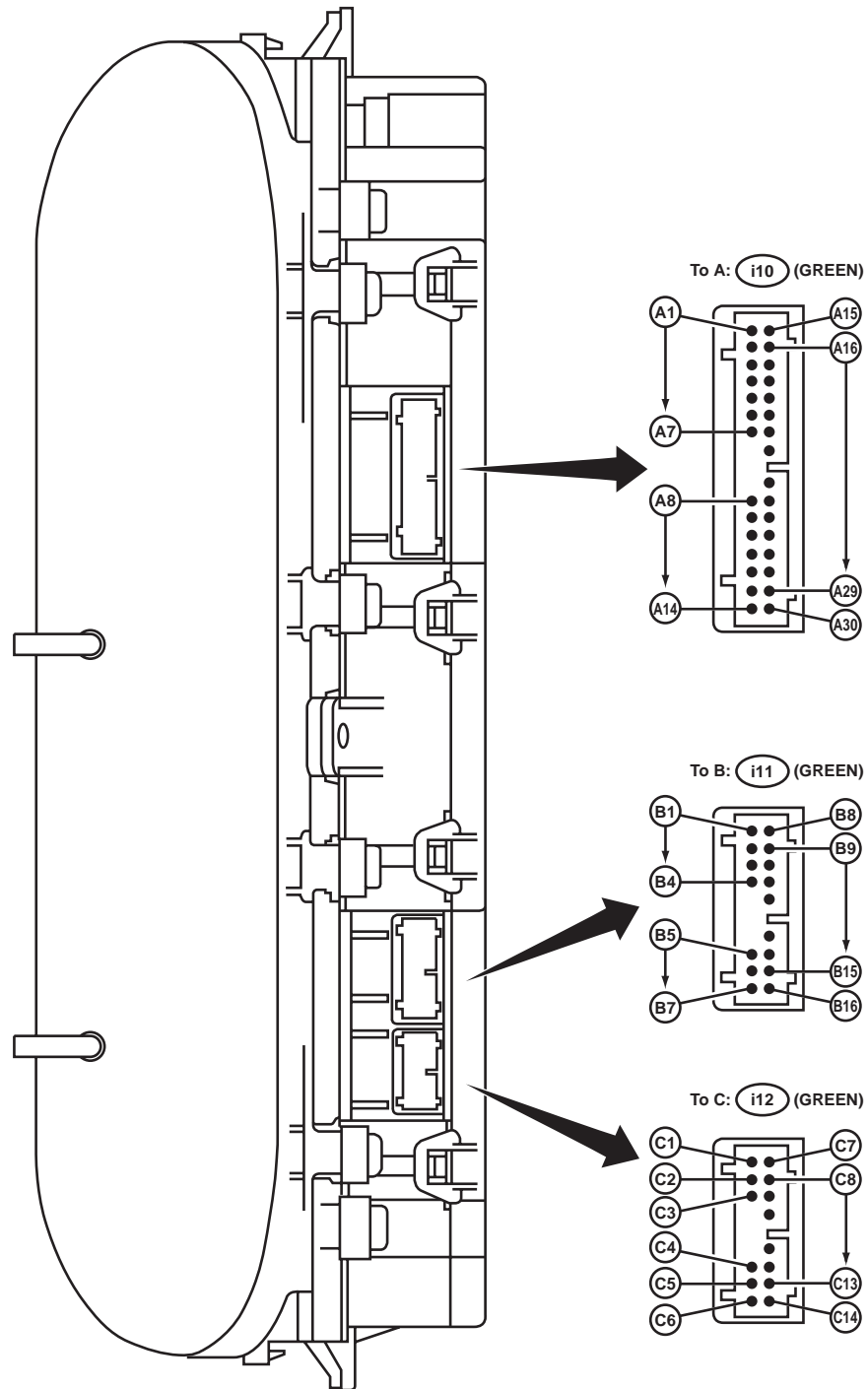
COMBINATION METER

WIRING SYSTEM

2. EXCEPT SPORTS SHIFT MODEL

CM(ESP)-01

CM(ESP)-01

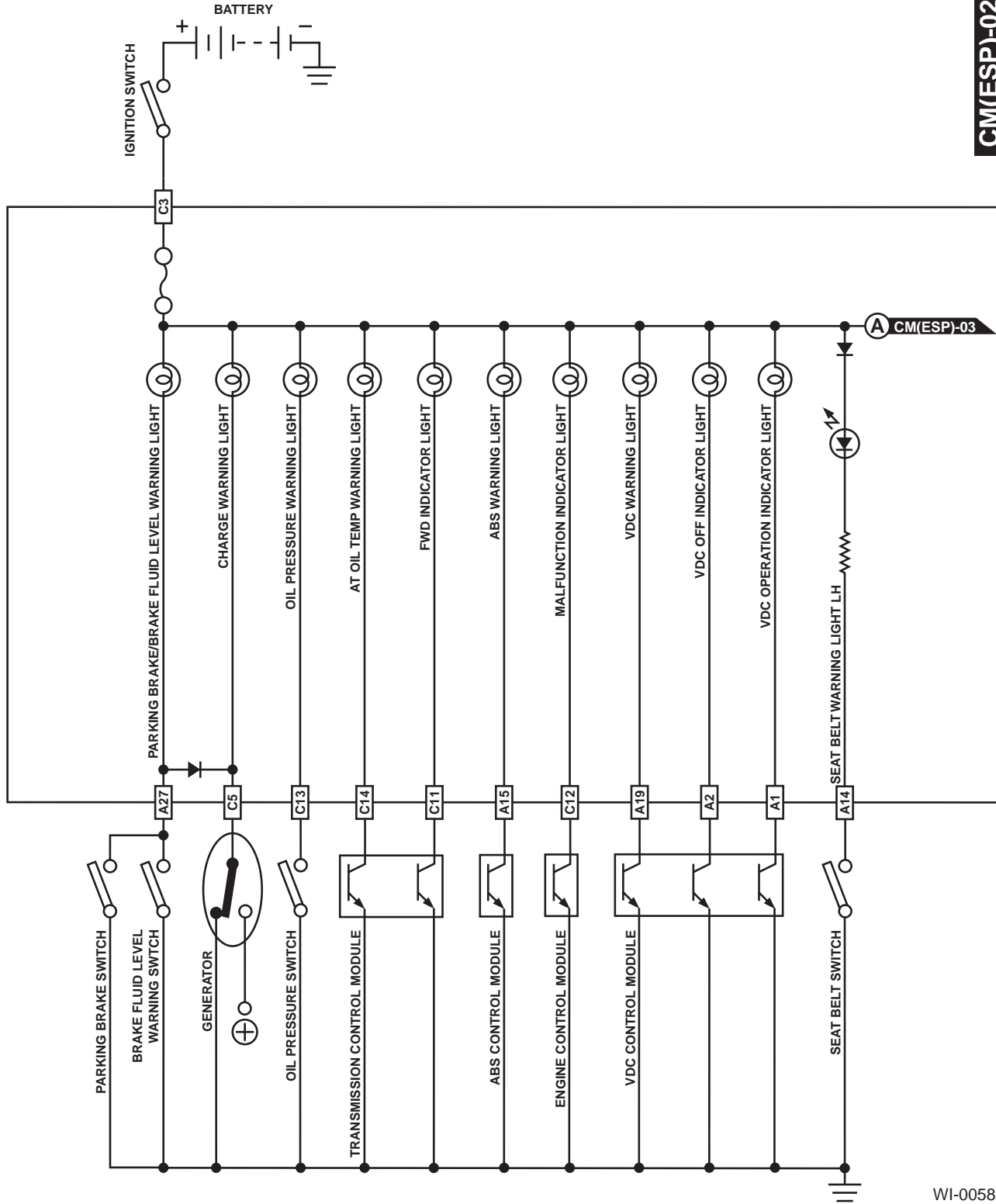


WI-00580

COMBINATION METER

WIRING SYSTEM

CM(ESP)-02

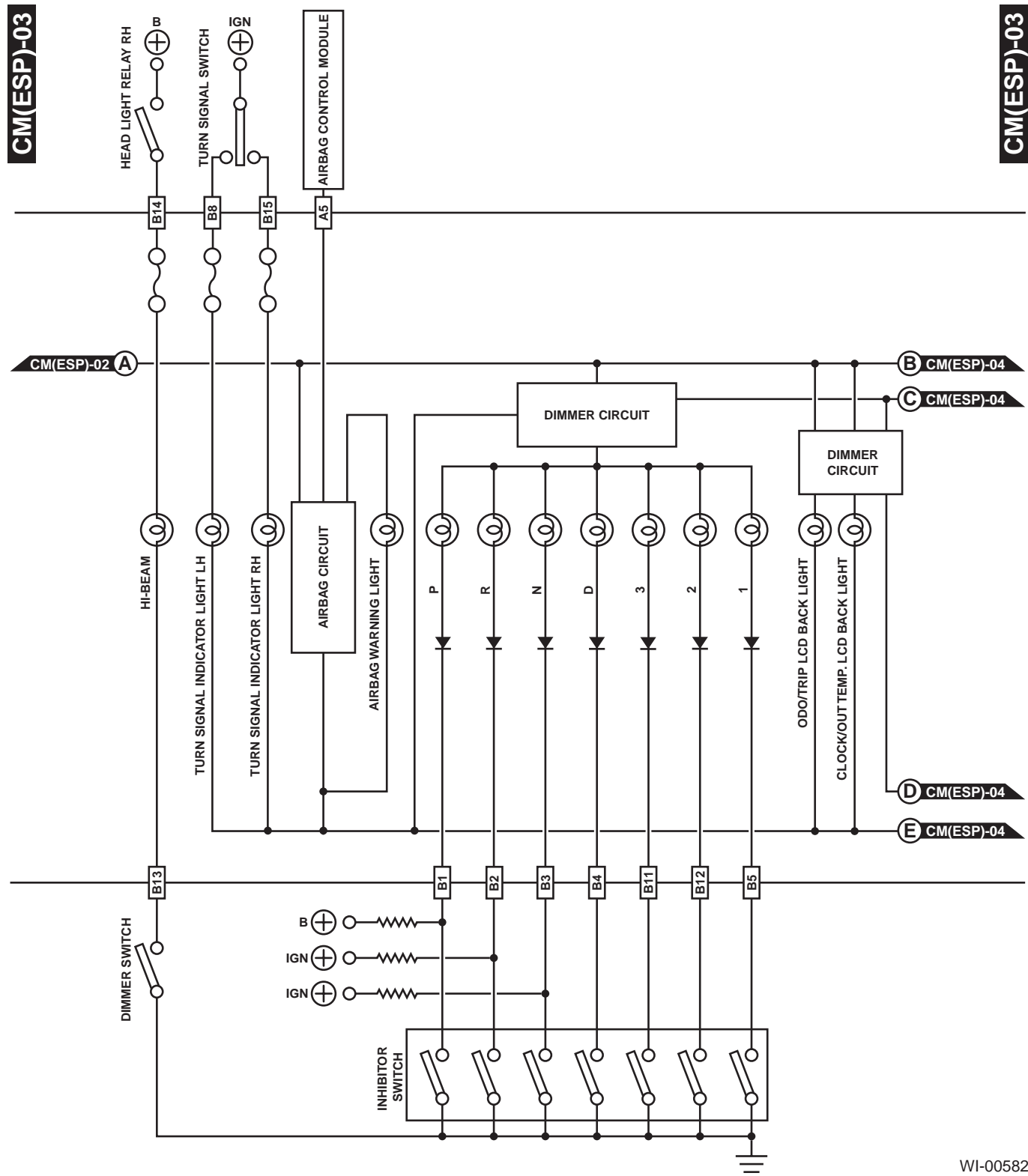


CM(ESP)-02

WI-00581

COMBINATION METER

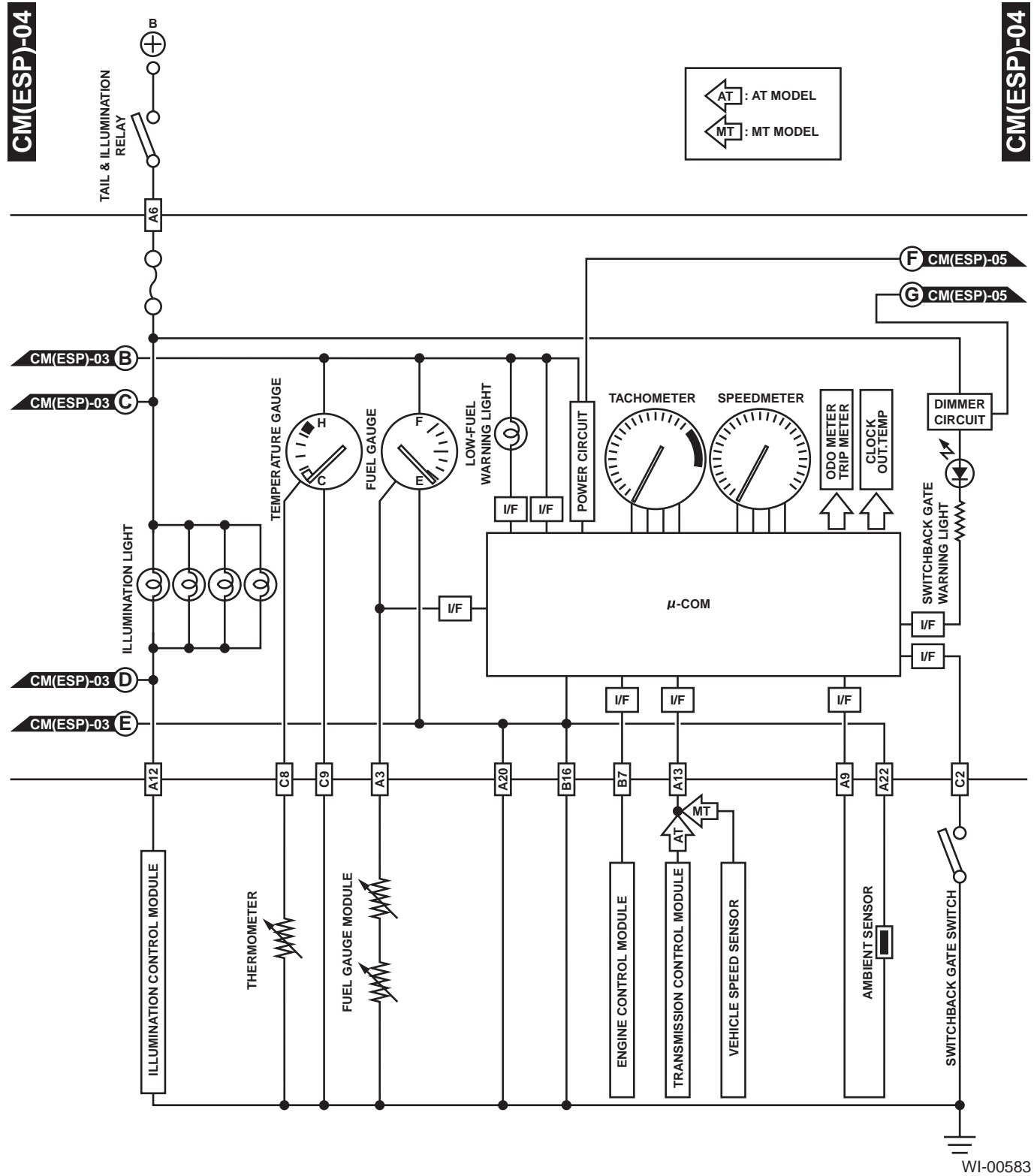
WIRING SYSTEM



WI-00582

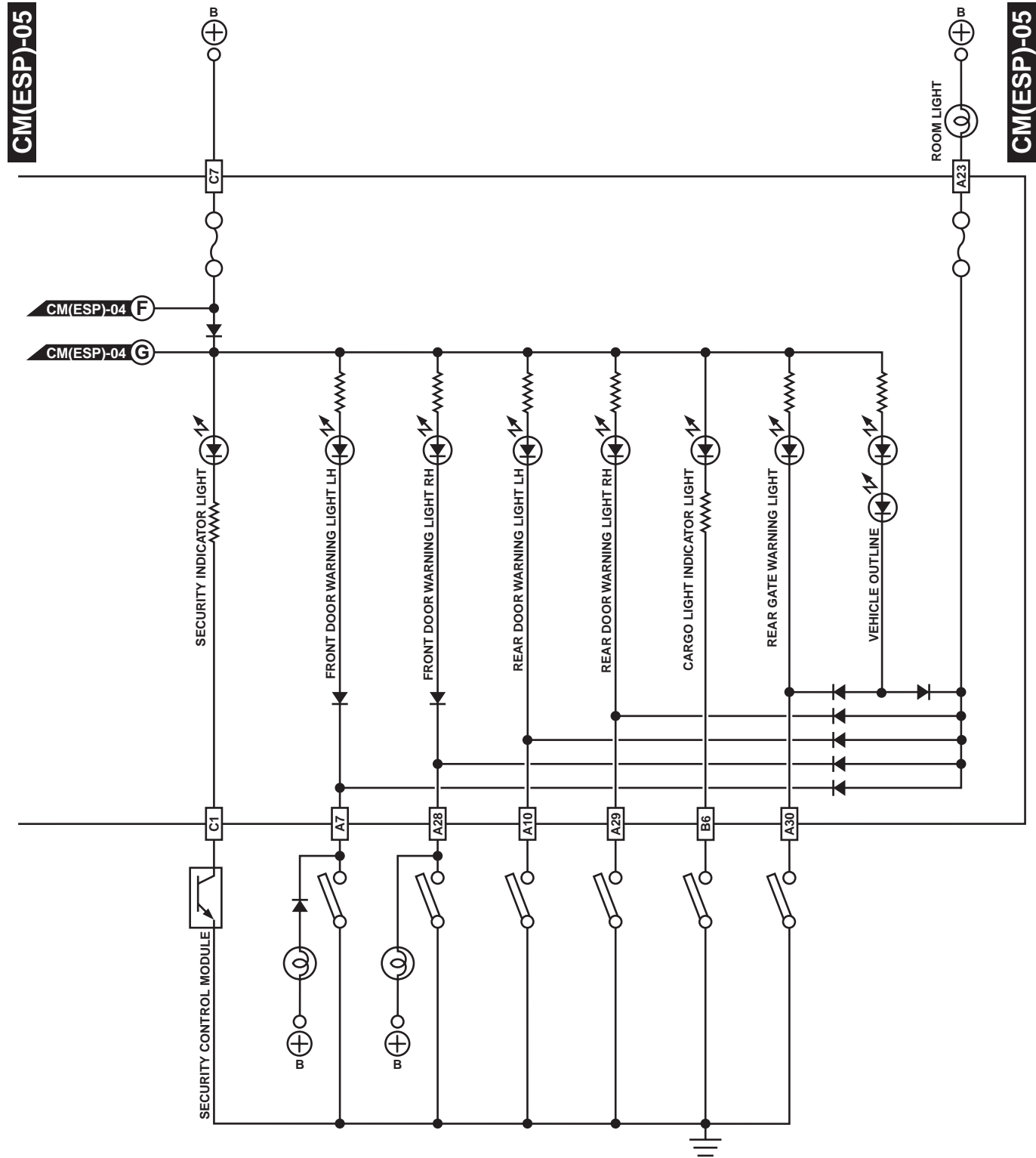
COMBINATION METER

WIRING SYSTEM



COMBINATION METER

WIRING SYSTEM



WI-00584

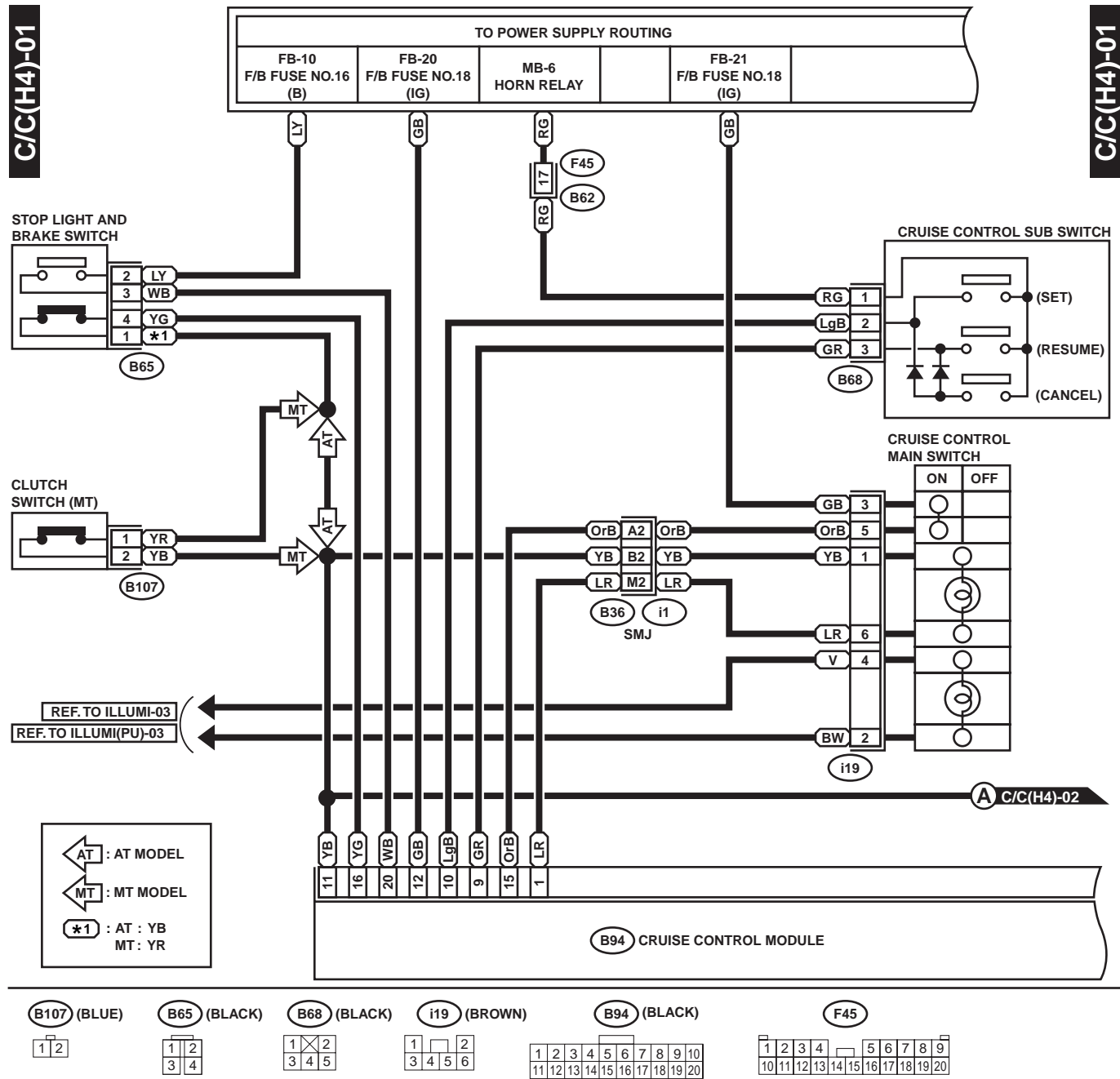
CRUISE CONTROL SYSTEM

WIRING SYSTEM

15. Cruise Control System

A: SCHEMATIC

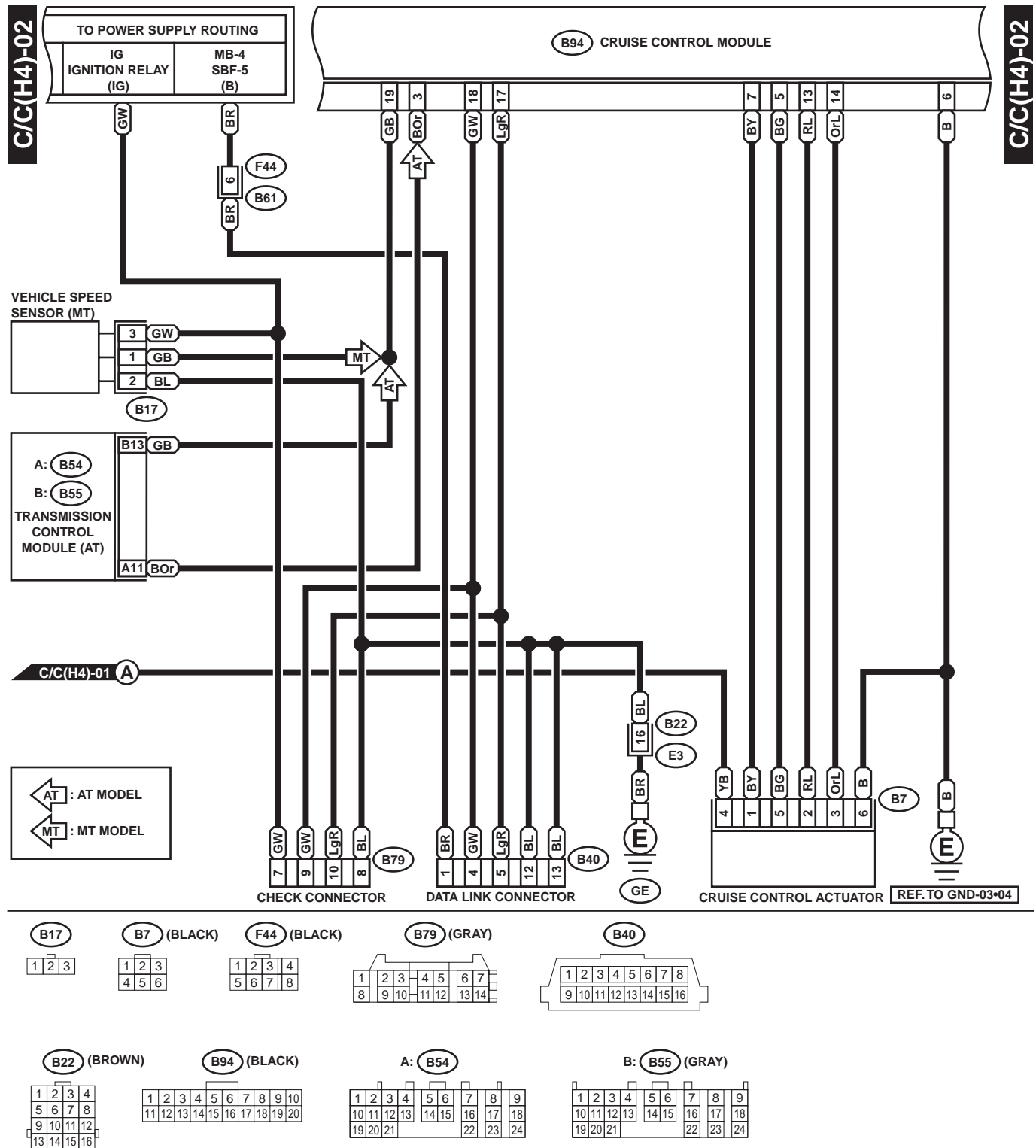
1. 4-CYLINDER ENGINE MODEL



WI-00585

CRUISE CONTROL SYSTEM

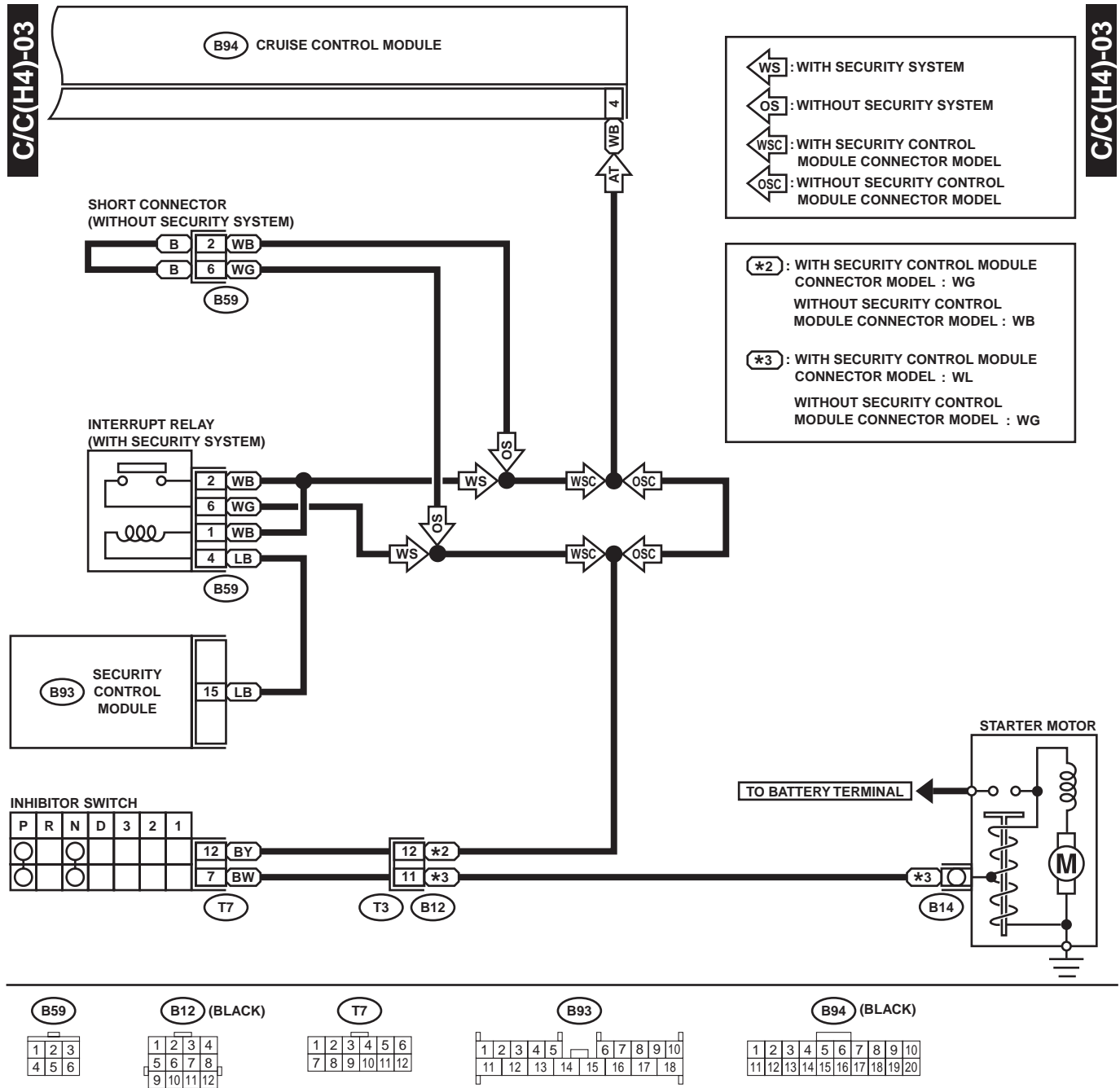
WIRING SYSTEM



WI-00586

CRUISE CONTROL SYSTEM

WIRING SYSTEM

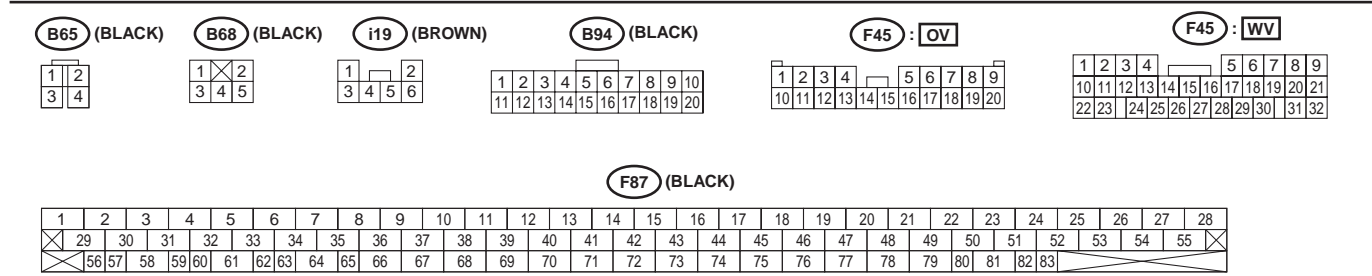
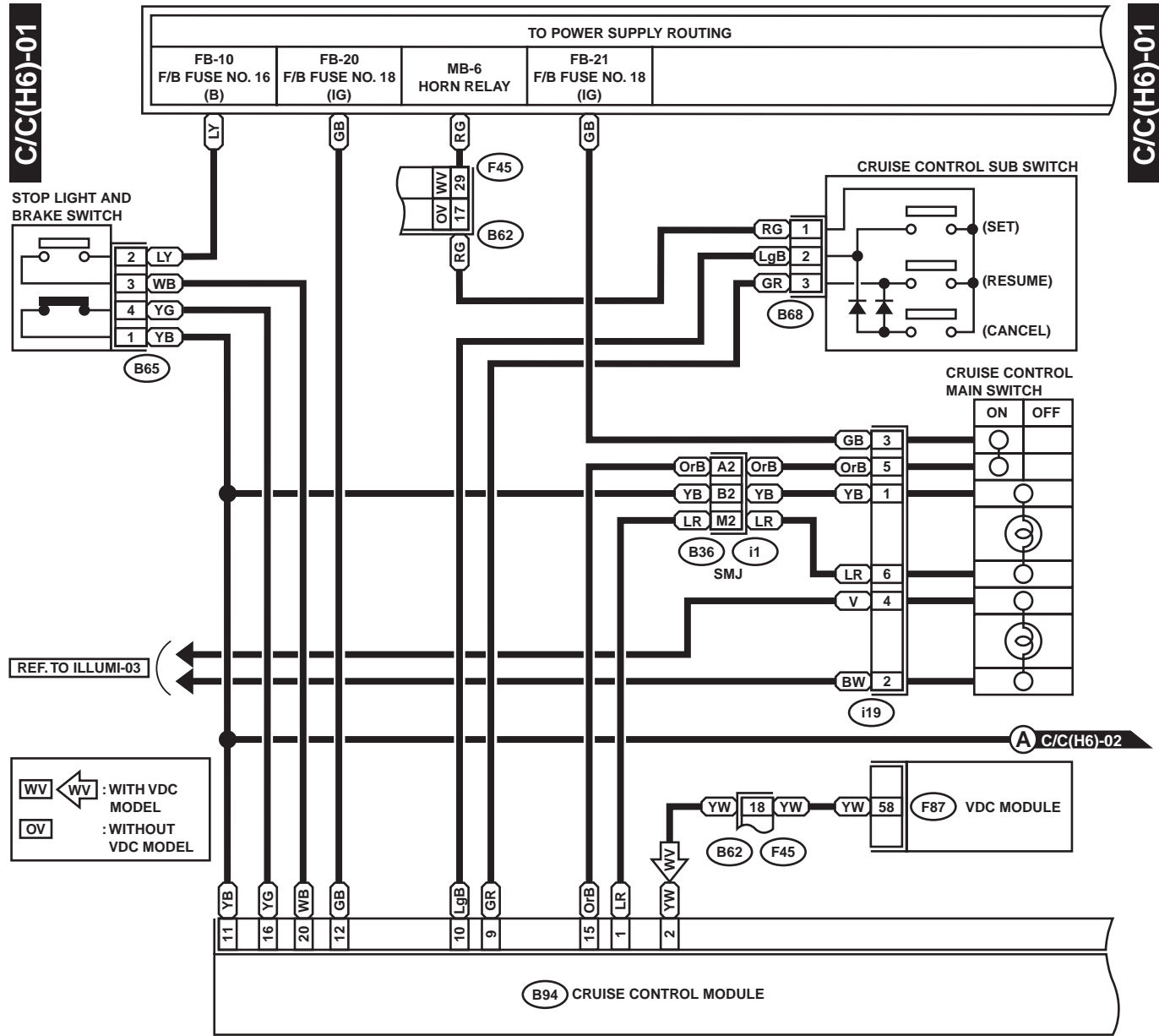


WI-00587

CRUISE CONTROL SYSTEM

WIRING SYSTEM

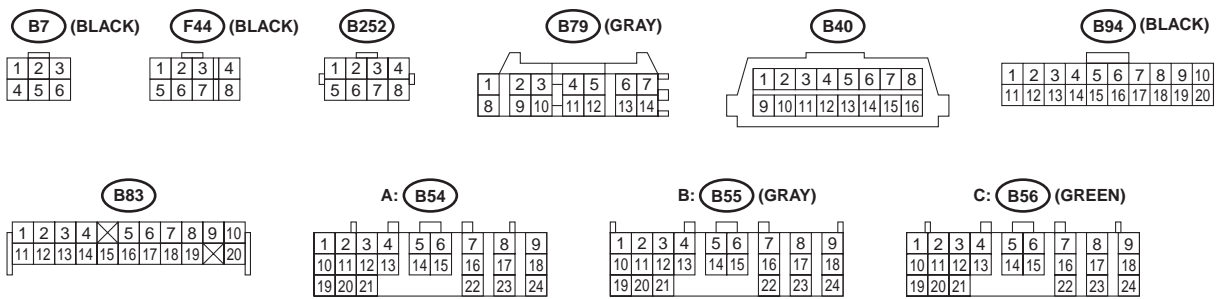
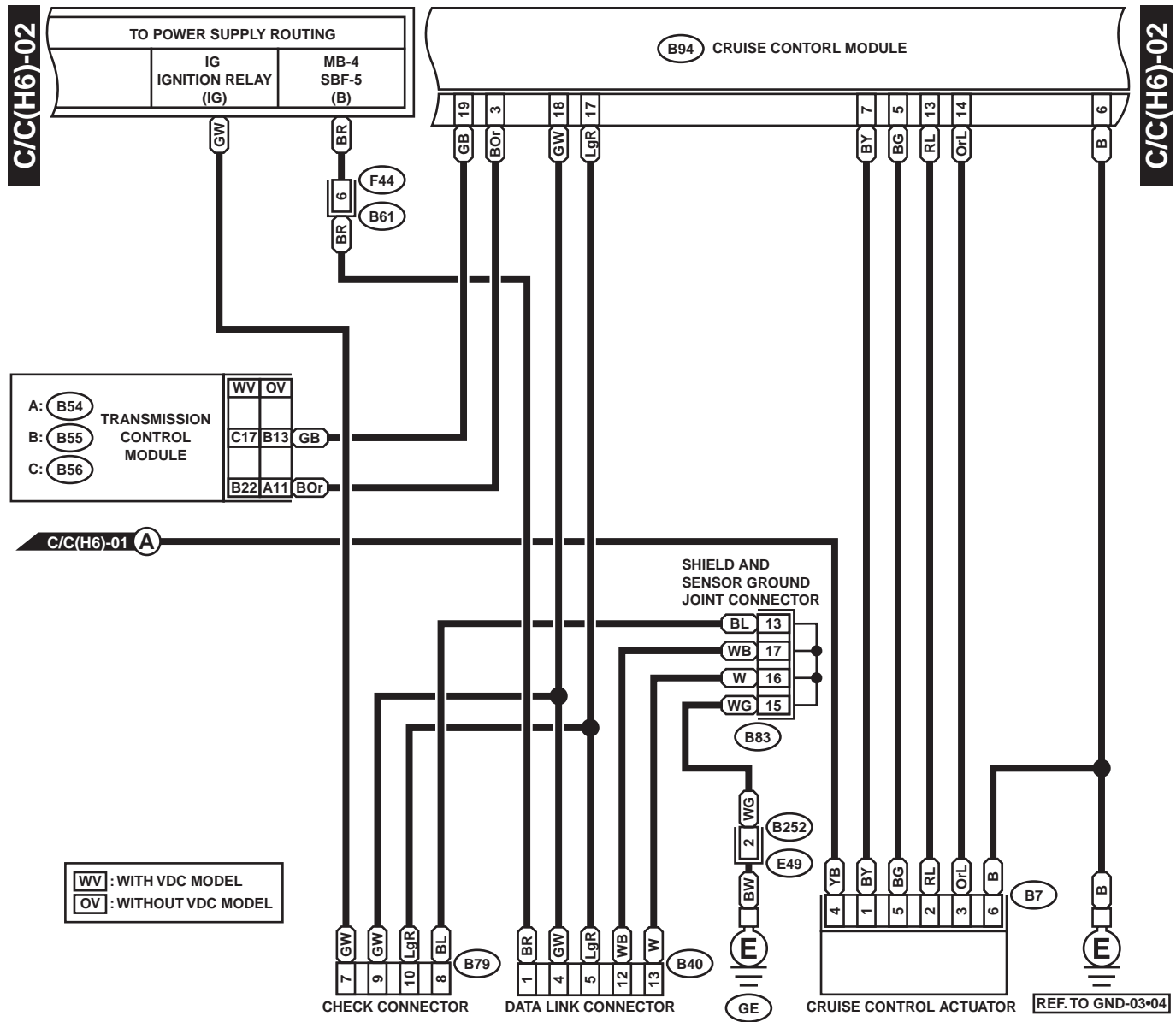
2. 6-CYLINDER ENGINE MODEL



WI-00588

CRUISE CONTROL SYSTEM

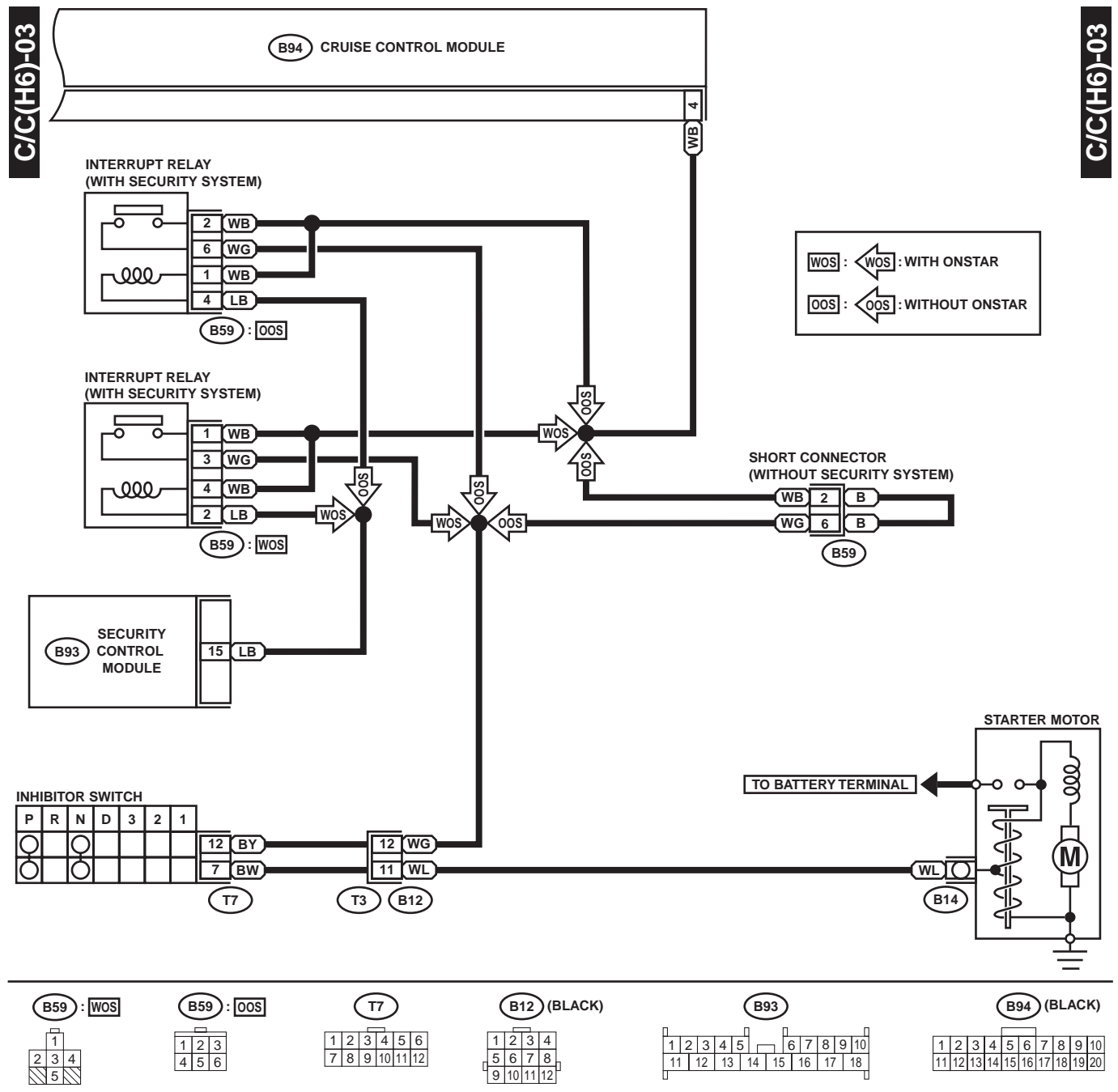
WIRING SYSTEM



WI-00589

CRUISE CONTROL SYSTEM

WIRING SYSTEM



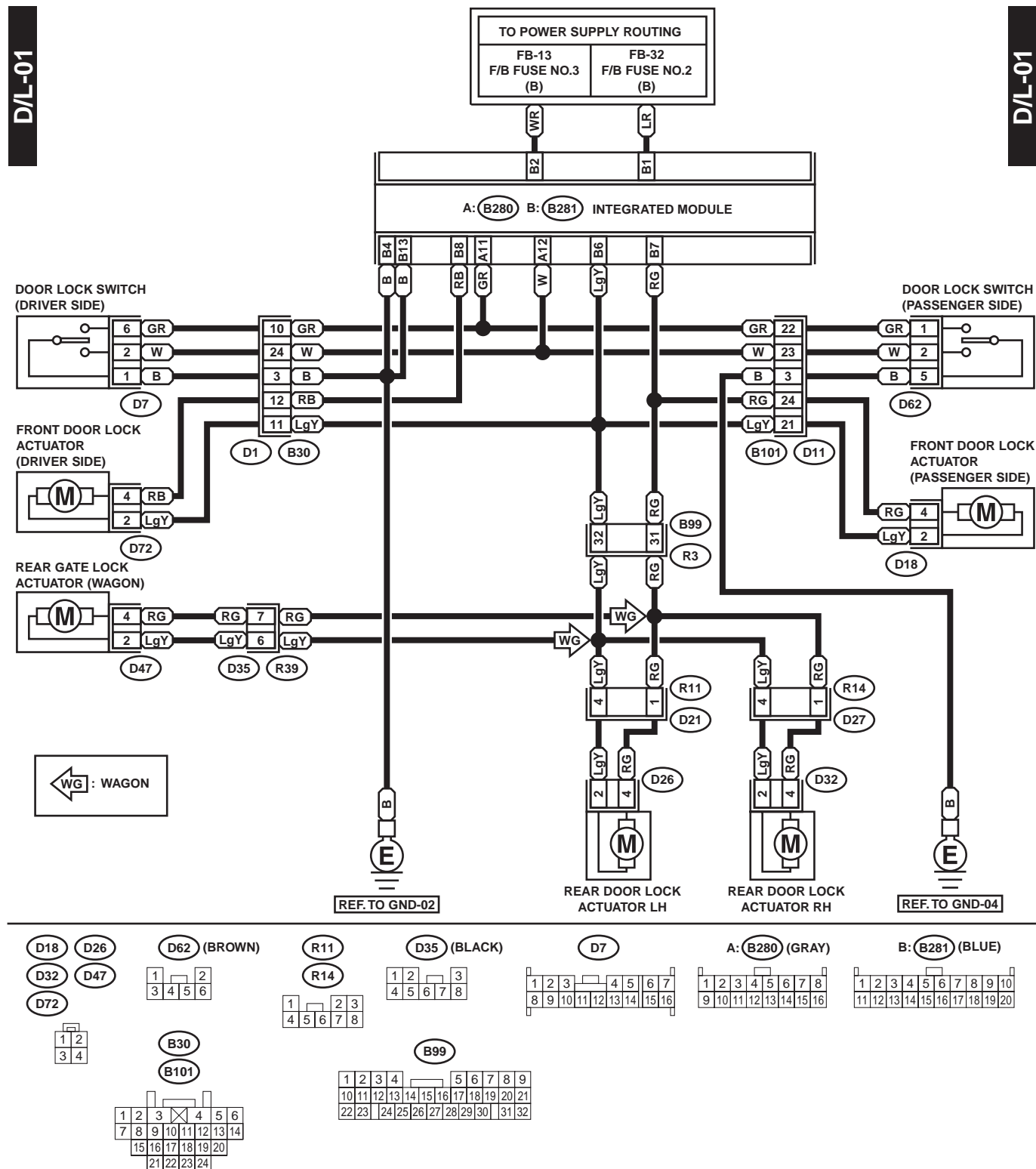
WI-00590

DOOR LOCK SYSTEM

WIRING SYSTEM

16. Door Lock System

A: SCHEMATIC



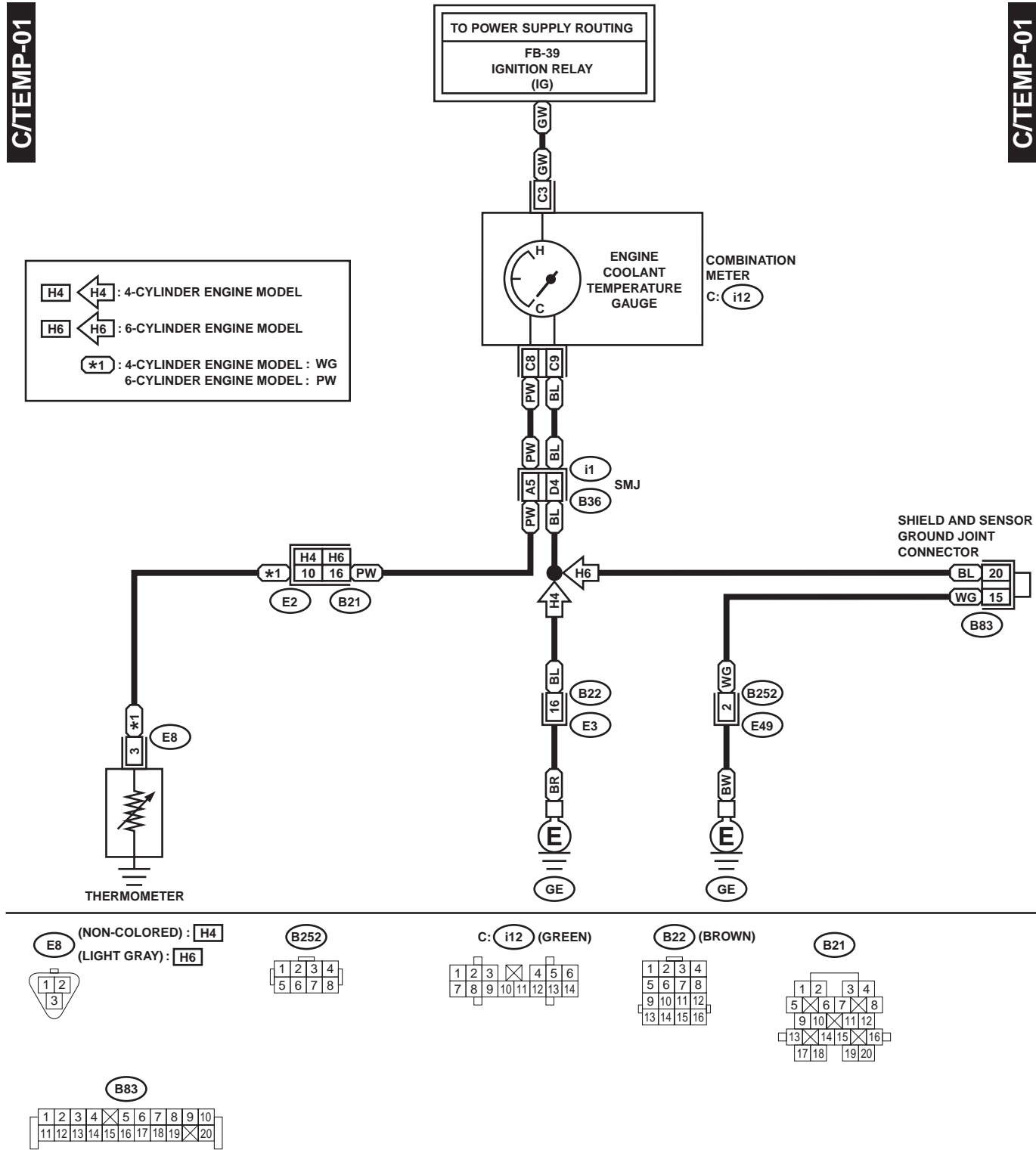
WI-00591

ENGINE COOLANT TEMPERATURE GAUGE SYSTEM

WIRING SYSTEM

17.Engine Coolant Temperature Gauge System

A: SCHEMATIC



WI-01060

WI-103

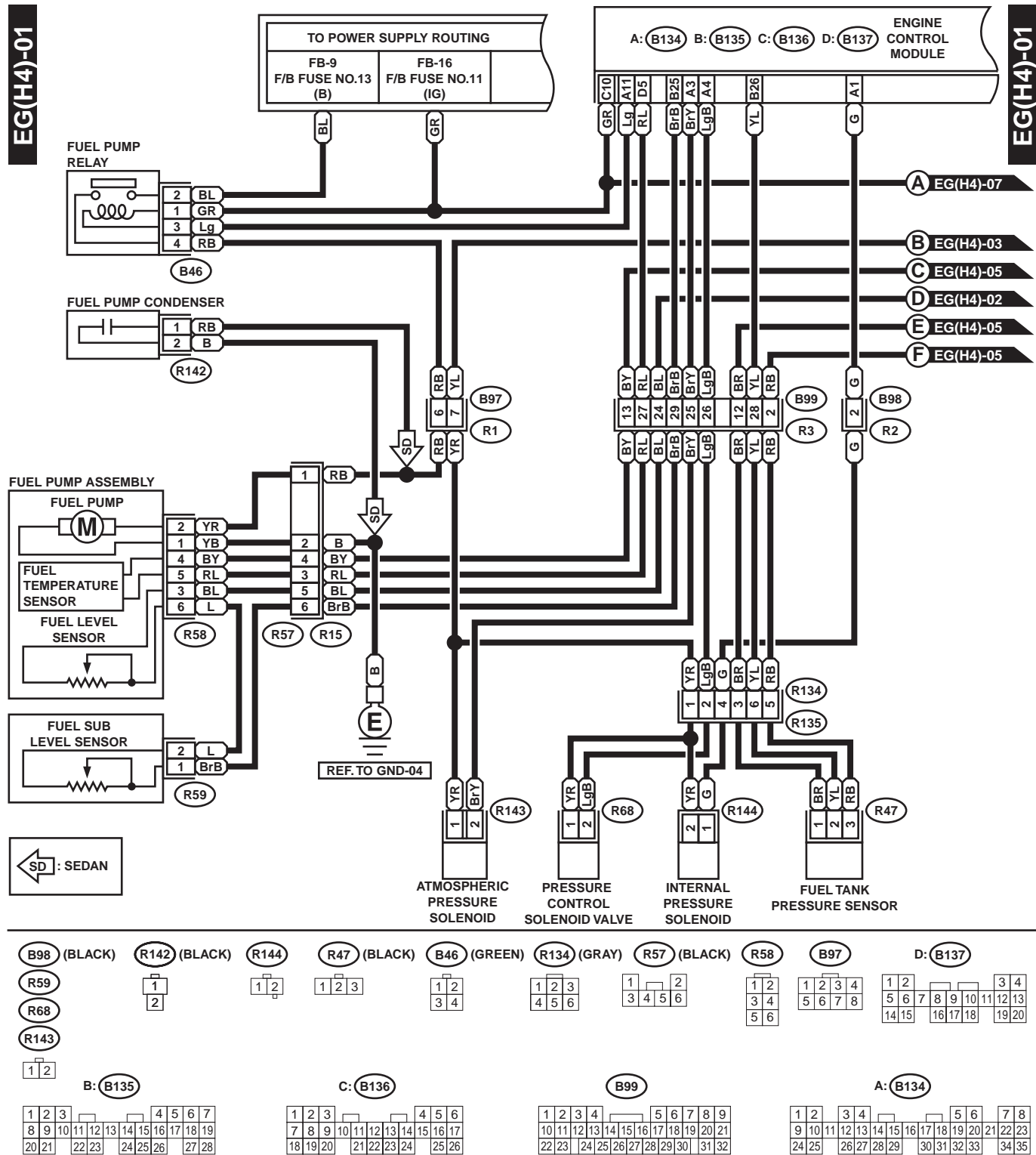
ENGINE ELECTRICAL SYSTEM

WIRING SYSTEM

18.Engine Electrical System

A: SCHEMATIC

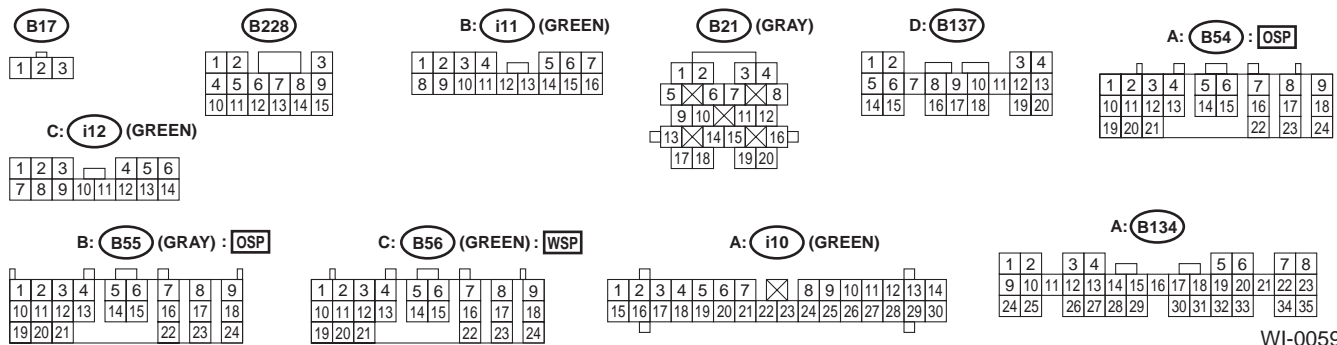
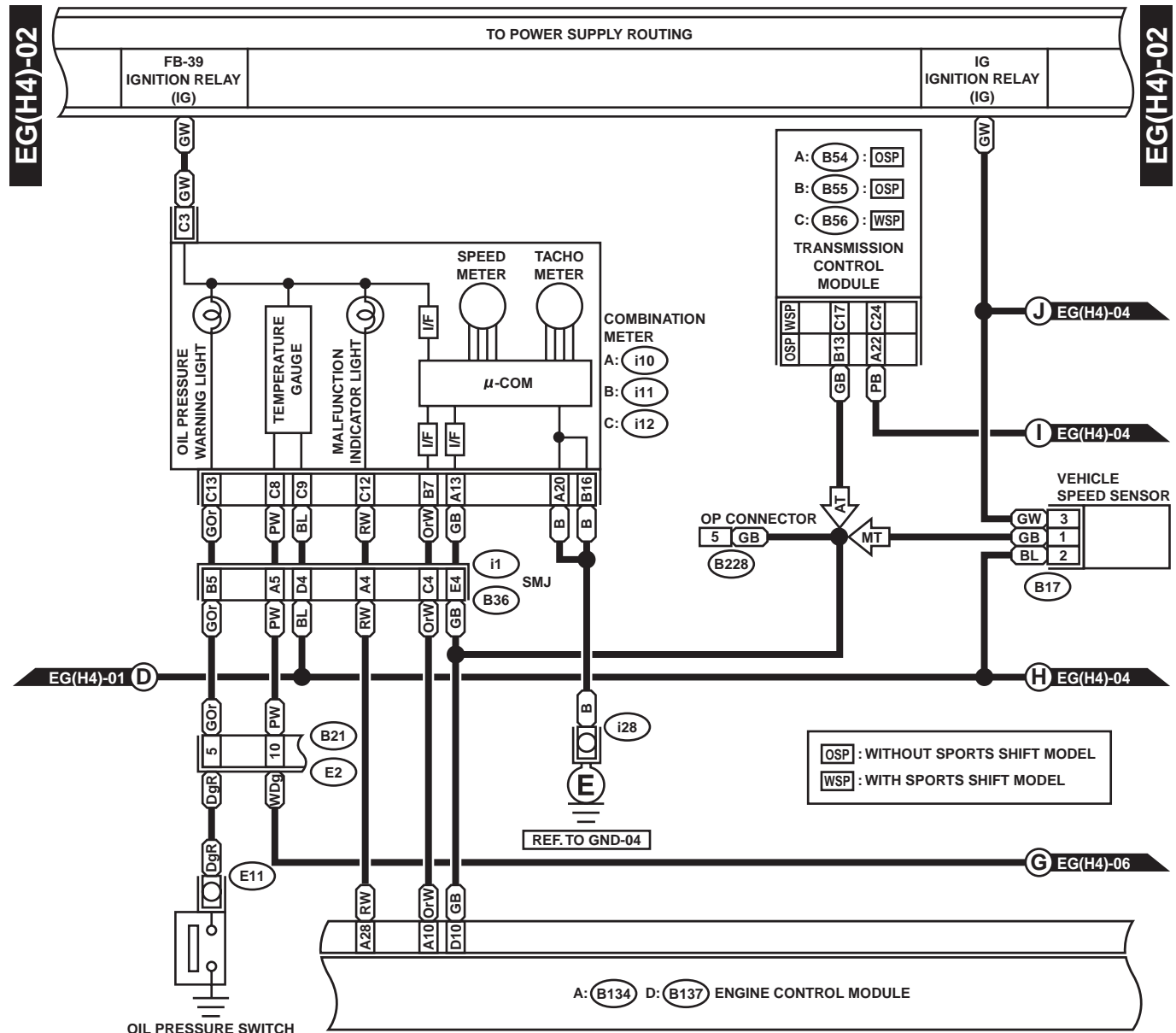
1. 4-CYLINDER ENGINE MODEL



WI-00593

ENGINE ELECTRICAL SYSTEM

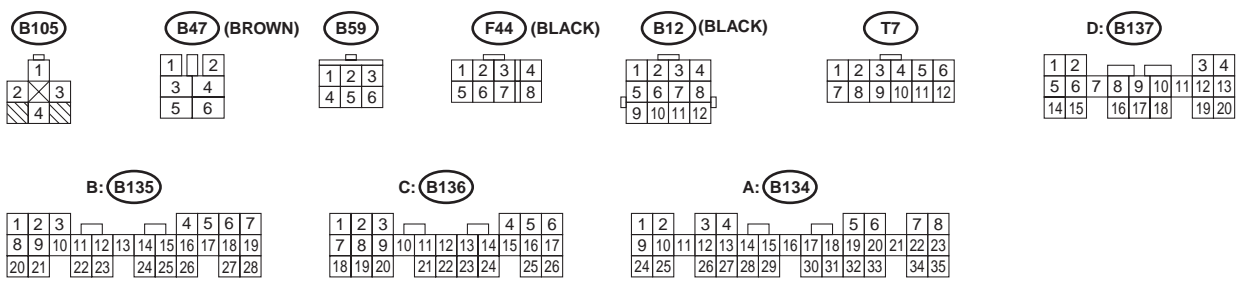
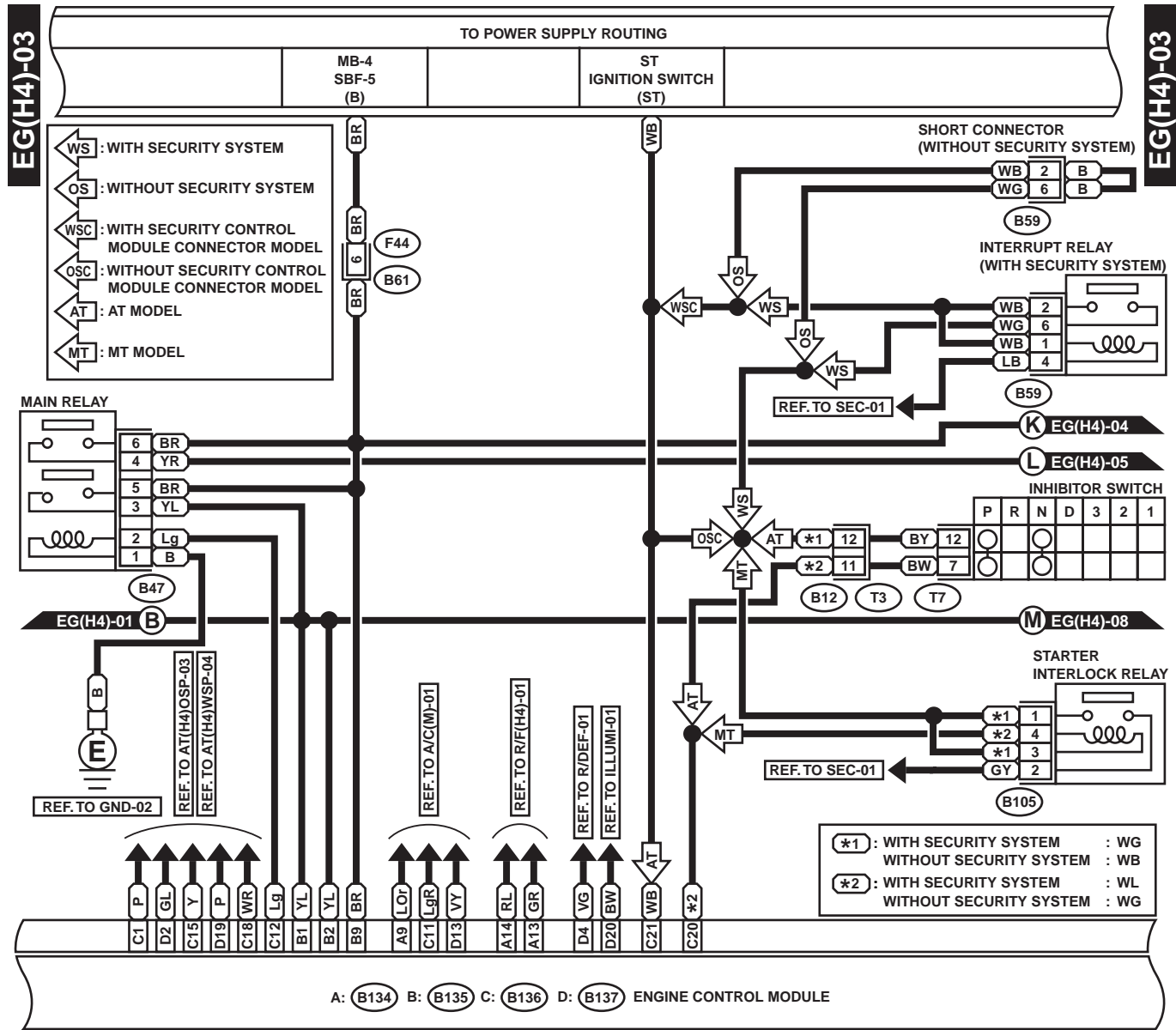
WIRING SYSTEM



WI-00594

ENGINE ELECTRICAL SYSTEM

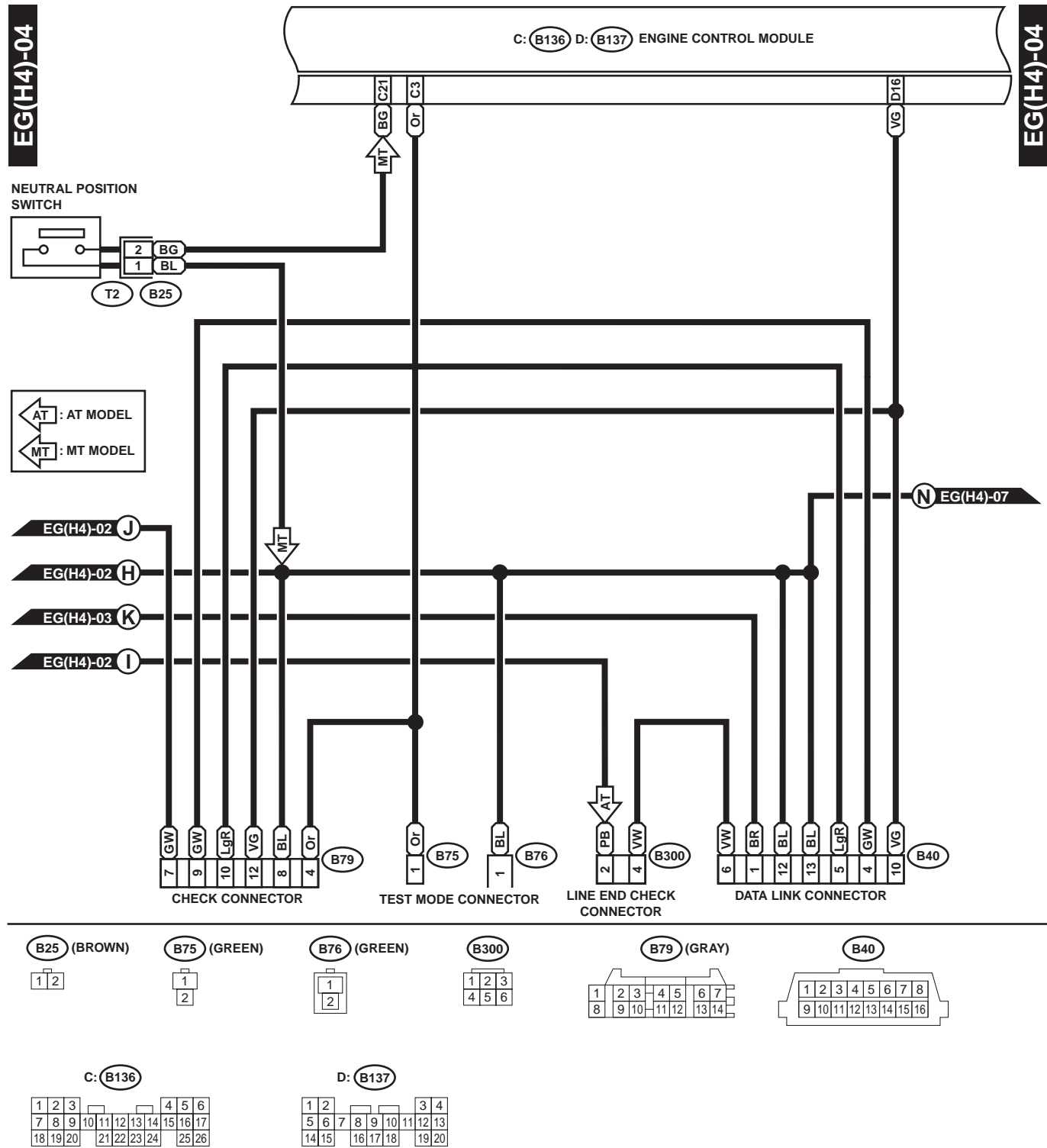
WIRING SYSTEM



WI-00595

ENGINE ELECTRICAL SYSTEM

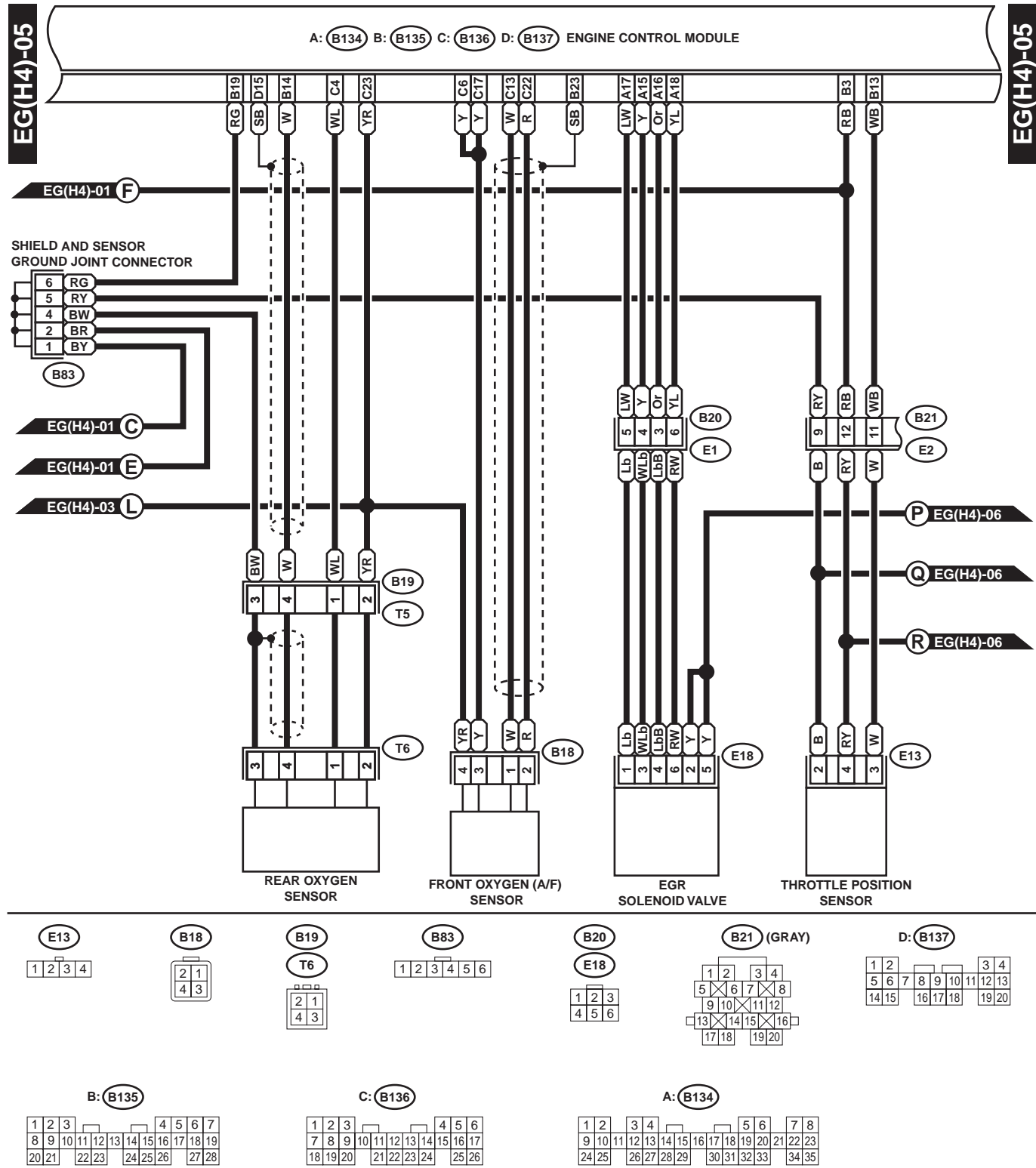
WIRING SYSTEM



WI-00596

ENGINE ELECTRICAL SYSTEM

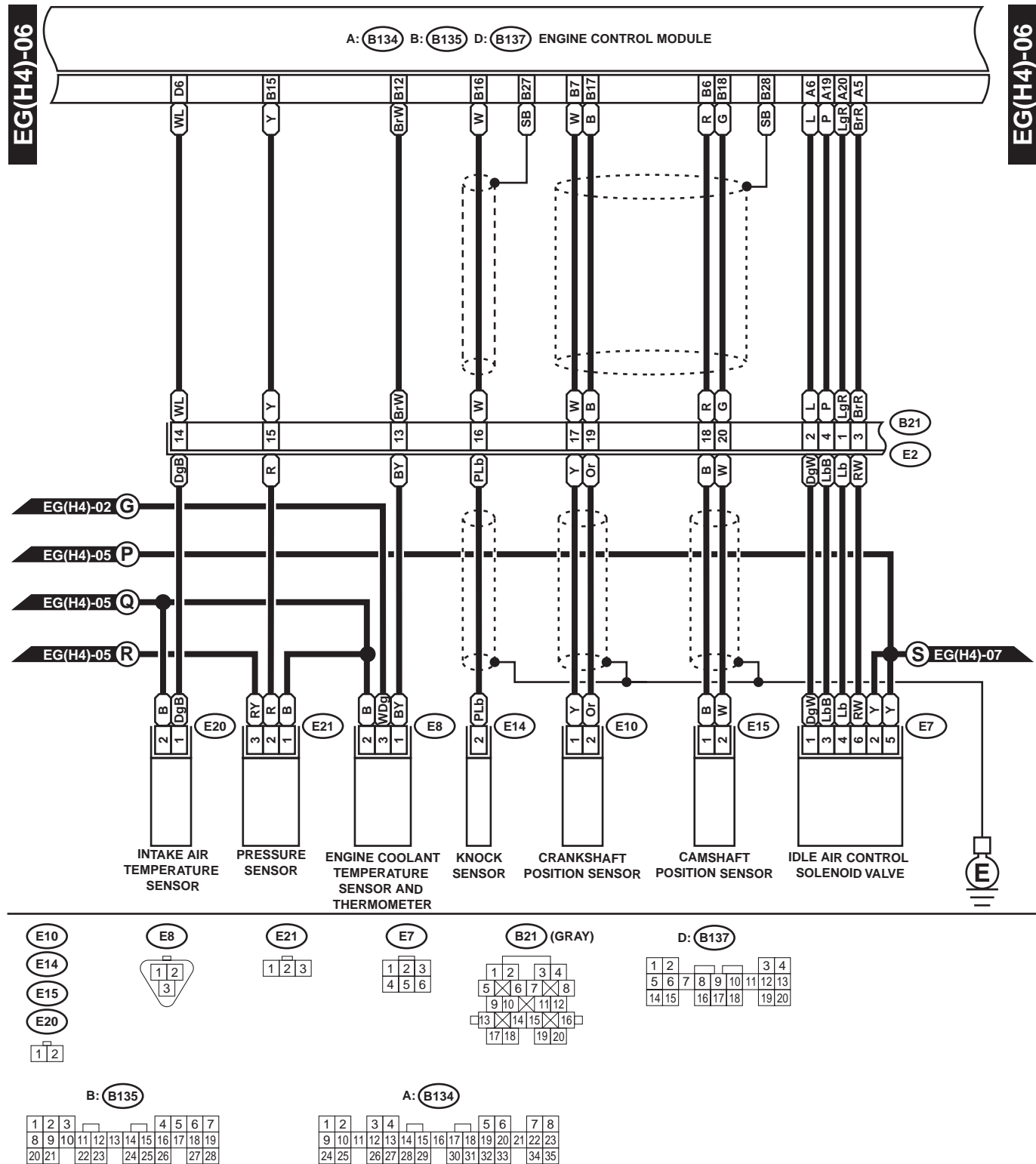
WIRING SYSTEM



WI-00597

ENGINE ELECTRICAL SYSTEM

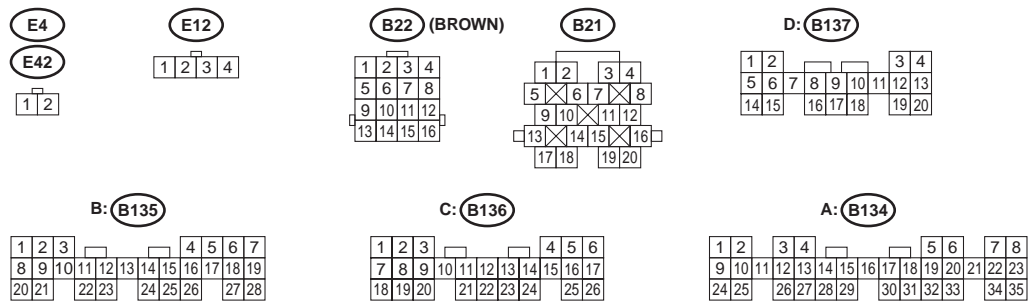
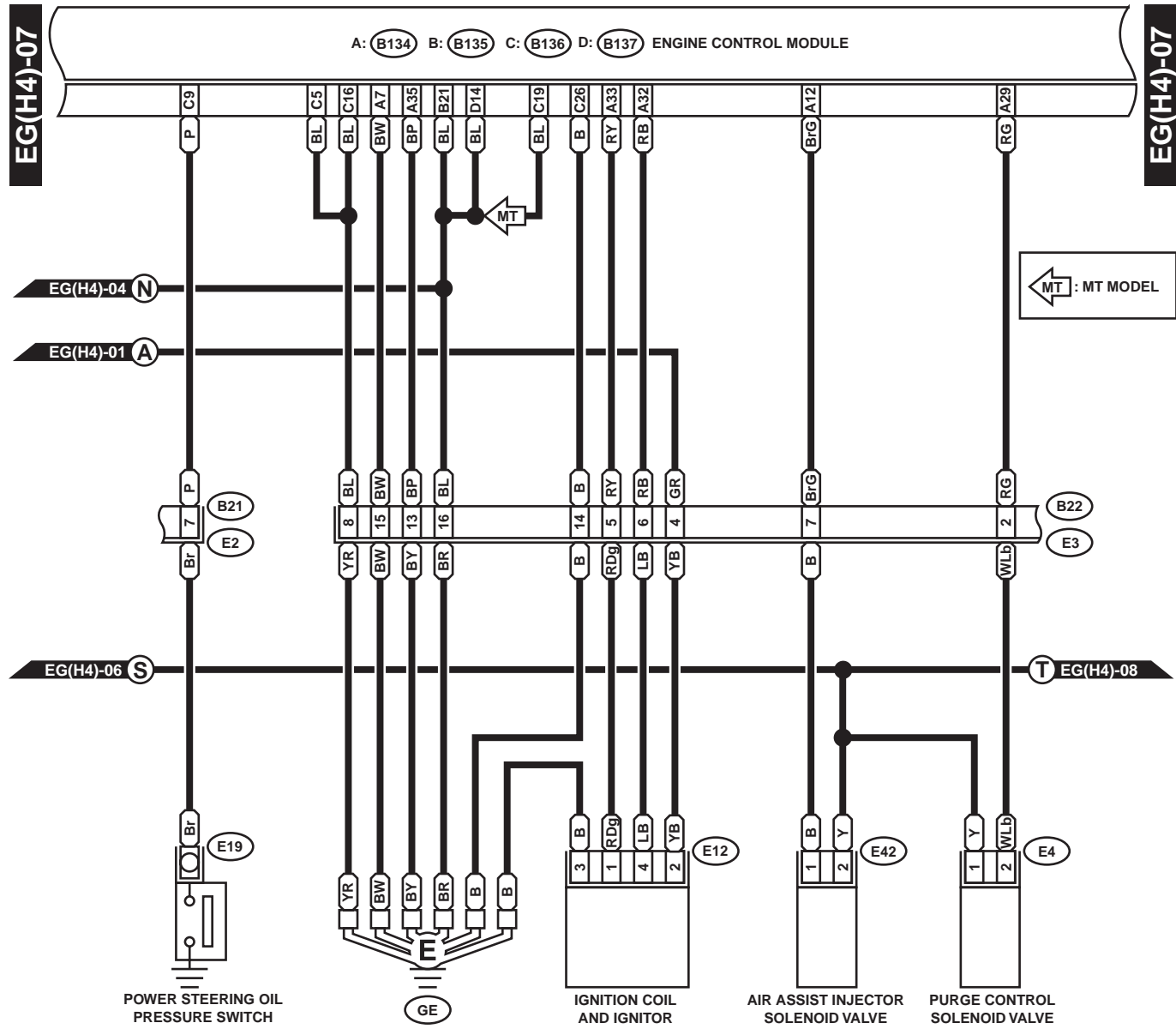
WIRING SYSTEM



WI-00598

ENGINE ELECTRICAL SYSTEM

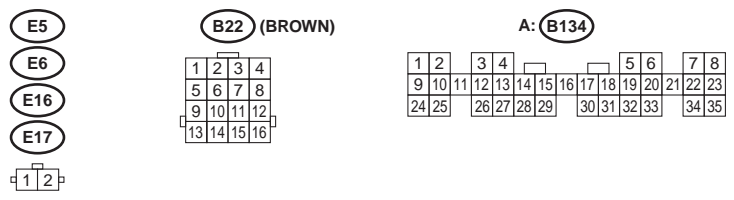
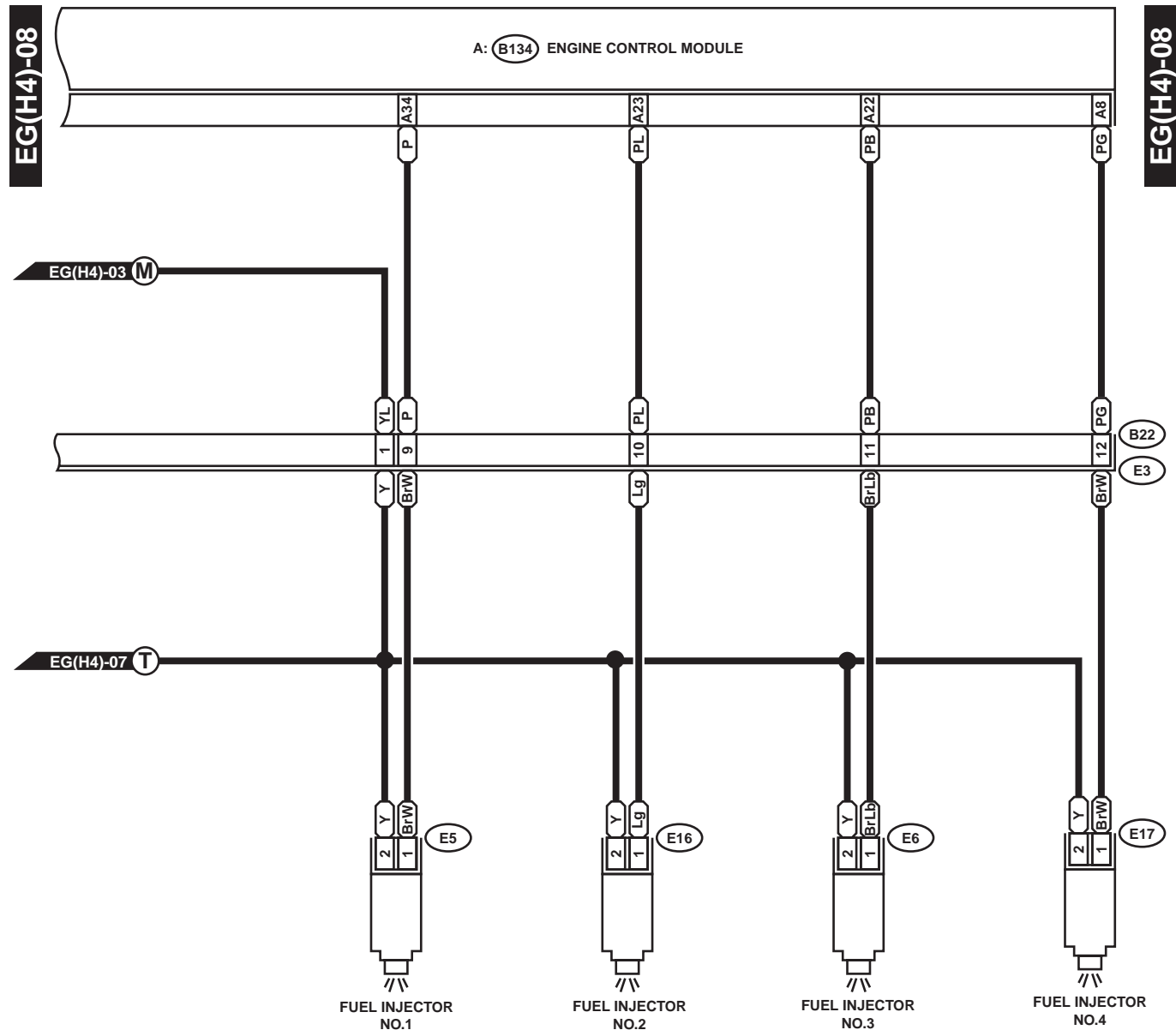
WIRING SYSTEM



WI-00599

ENGINE ELECTRICAL SYSTEM

WIRING SYSTEM

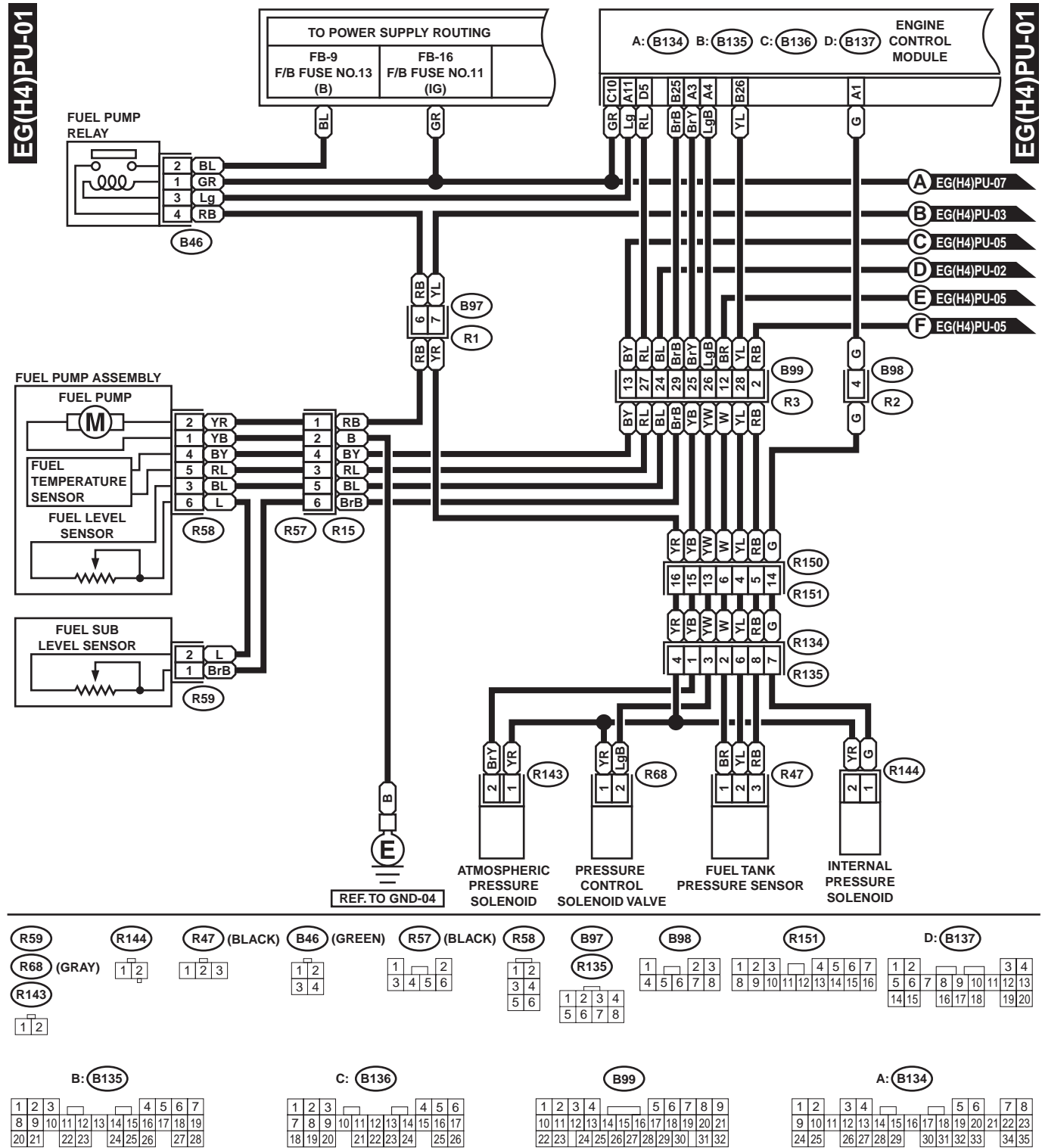


WI-00600

ENGINE ELECTRICAL SYSTEM

WIRING SYSTEM

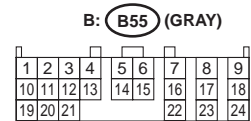
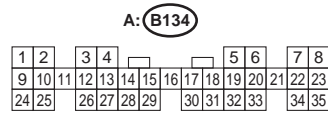
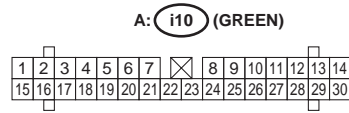
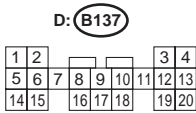
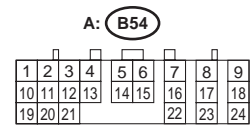
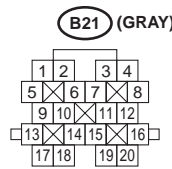
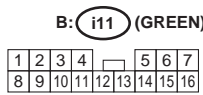
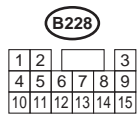
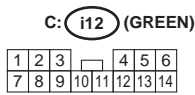
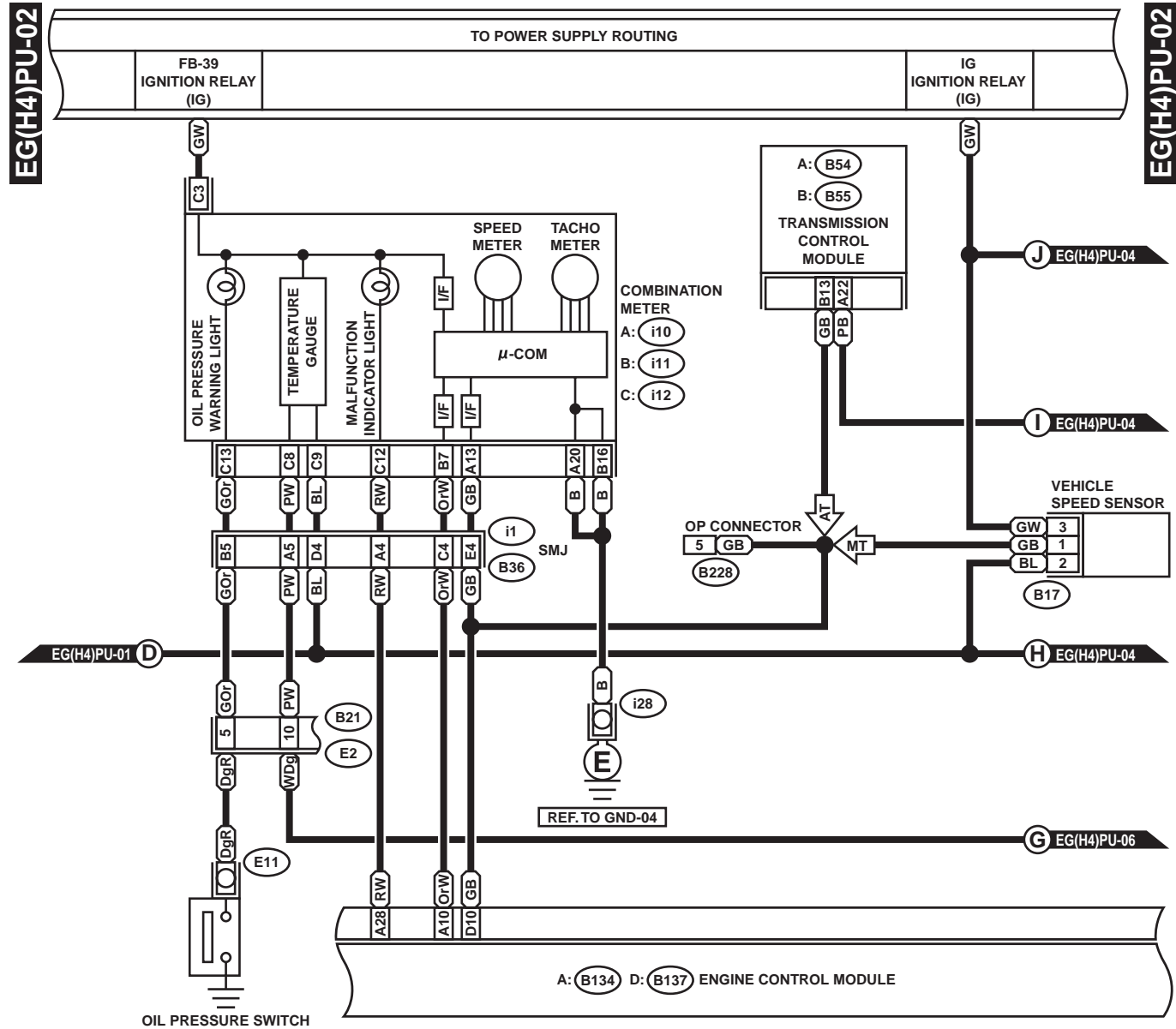
2. 4-CYLINDER ENGINE PICK-UP MODEL



WI-00611

ENGINE ELECTRICAL SYSTEM

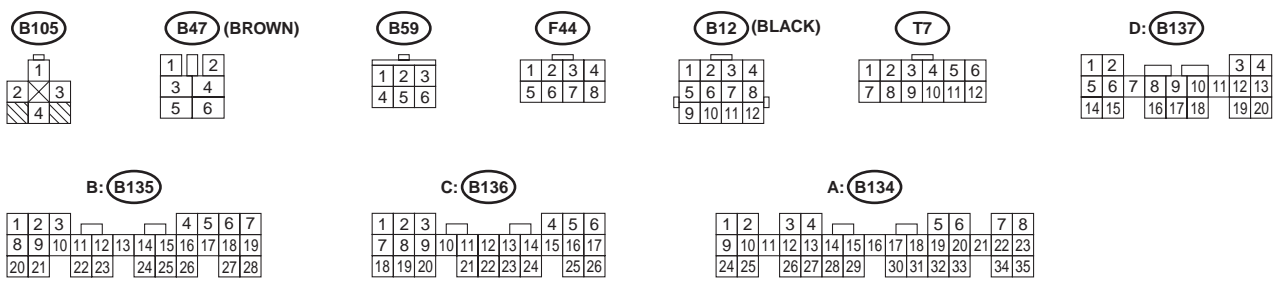
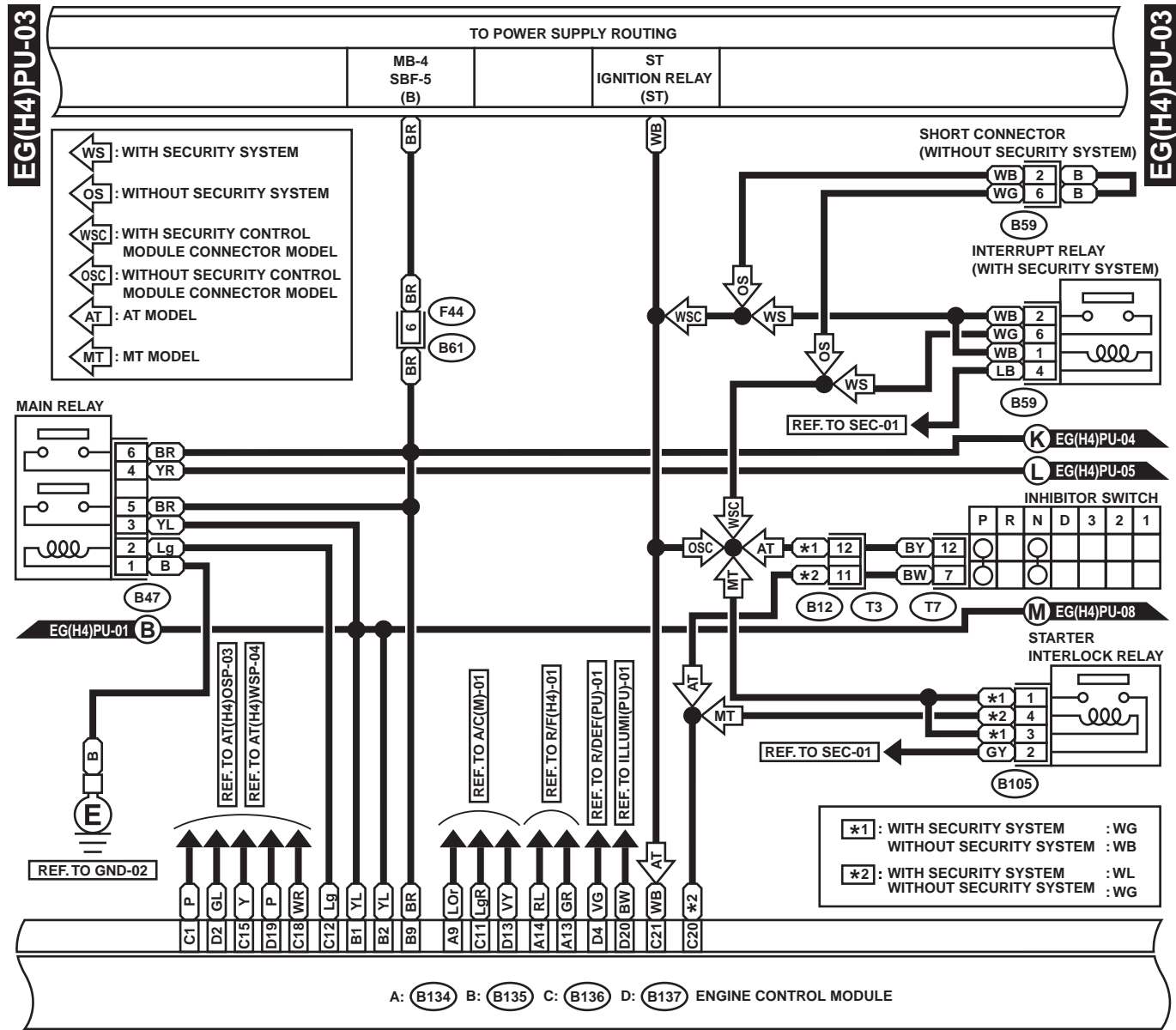
WIRING SYSTEM



WI-00612

ENGINE ELECTRICAL SYSTEM

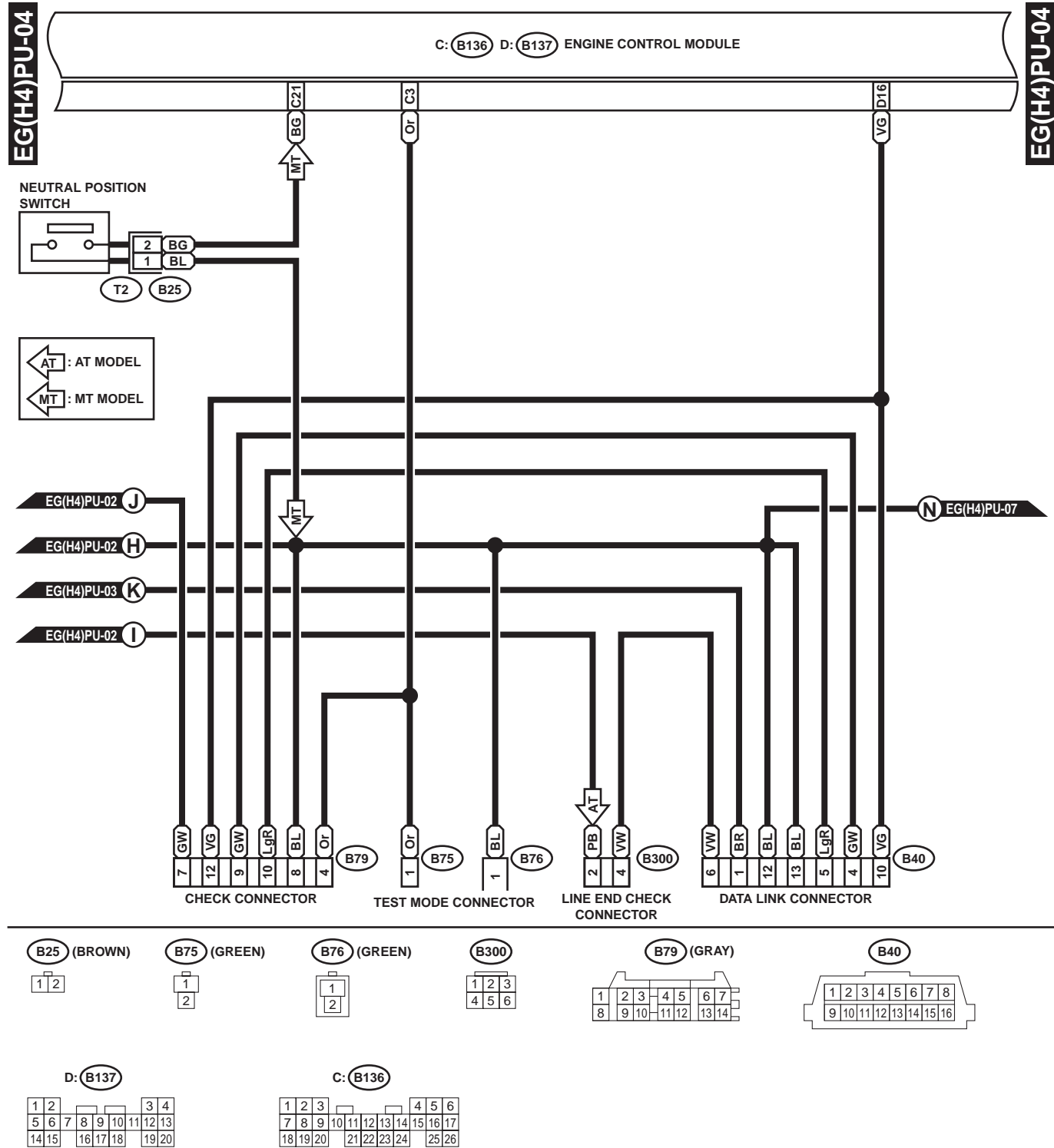
WIRING SYSTEM



WI-00613

ENGINE ELECTRICAL SYSTEM

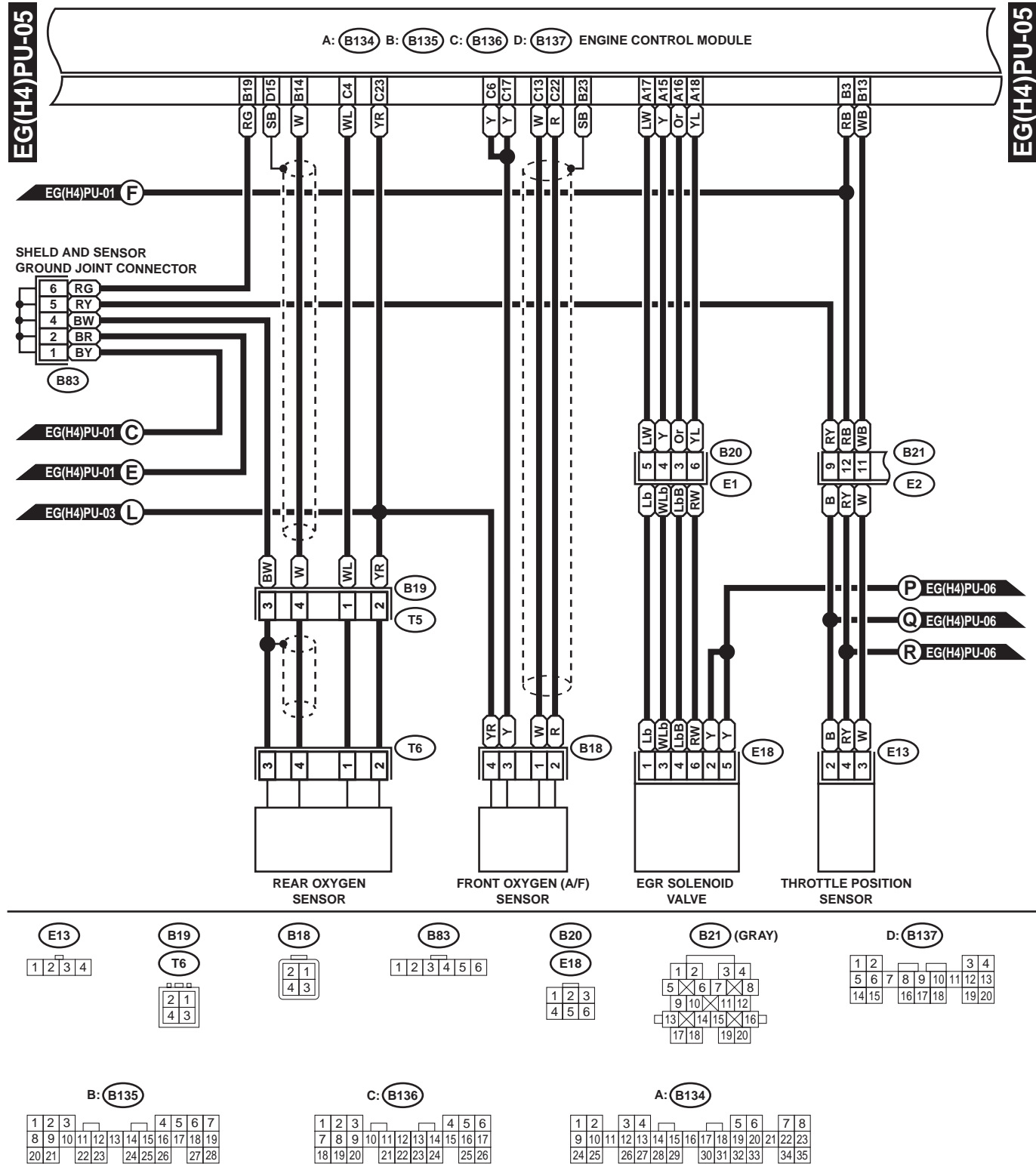
WIRING SYSTEM



WI-00614

ENGINE ELECTRICAL SYSTEM

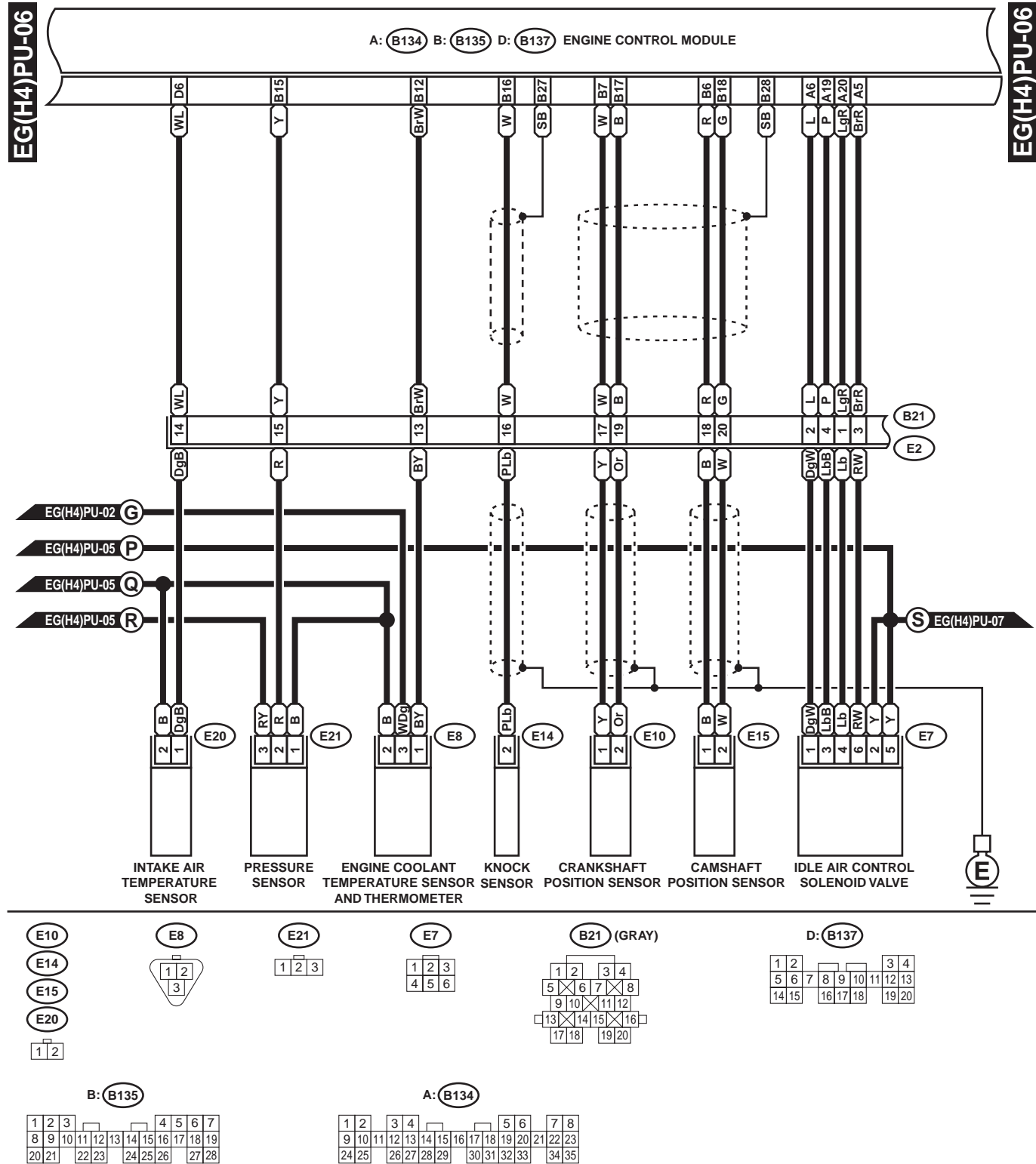
WIRING SYSTEM



WI-00615

ENGINE ELECTRICAL SYSTEM

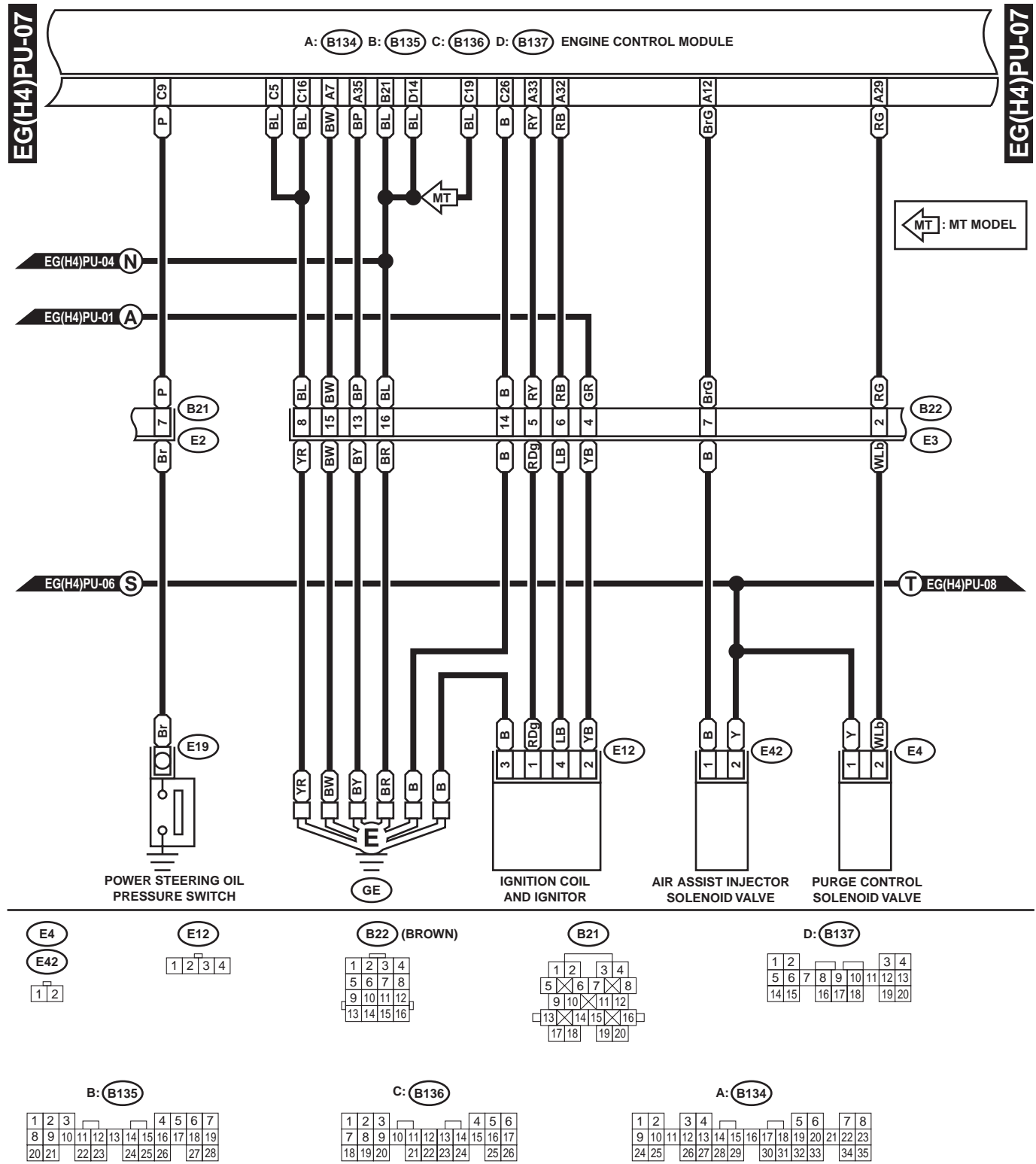
WIRING SYSTEM



WI-00616

ENGINE ELECTRICAL SYSTEM

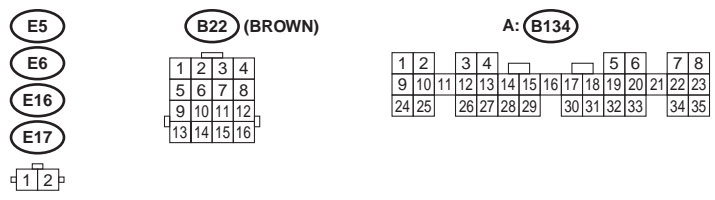
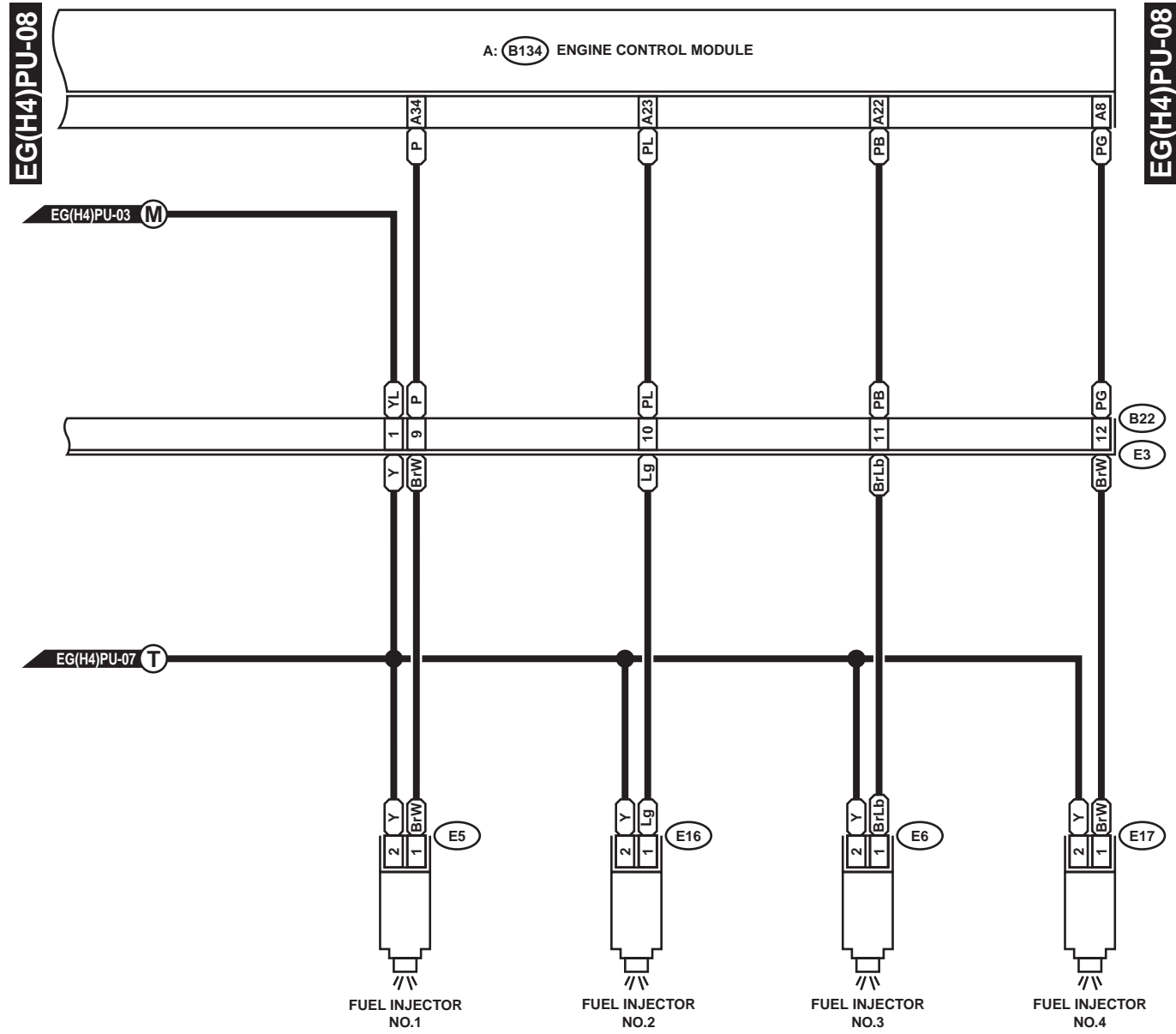
WIRING SYSTEM



WI-00617

ENGINE ELECTRICAL SYSTEM

WIRING SYSTEM

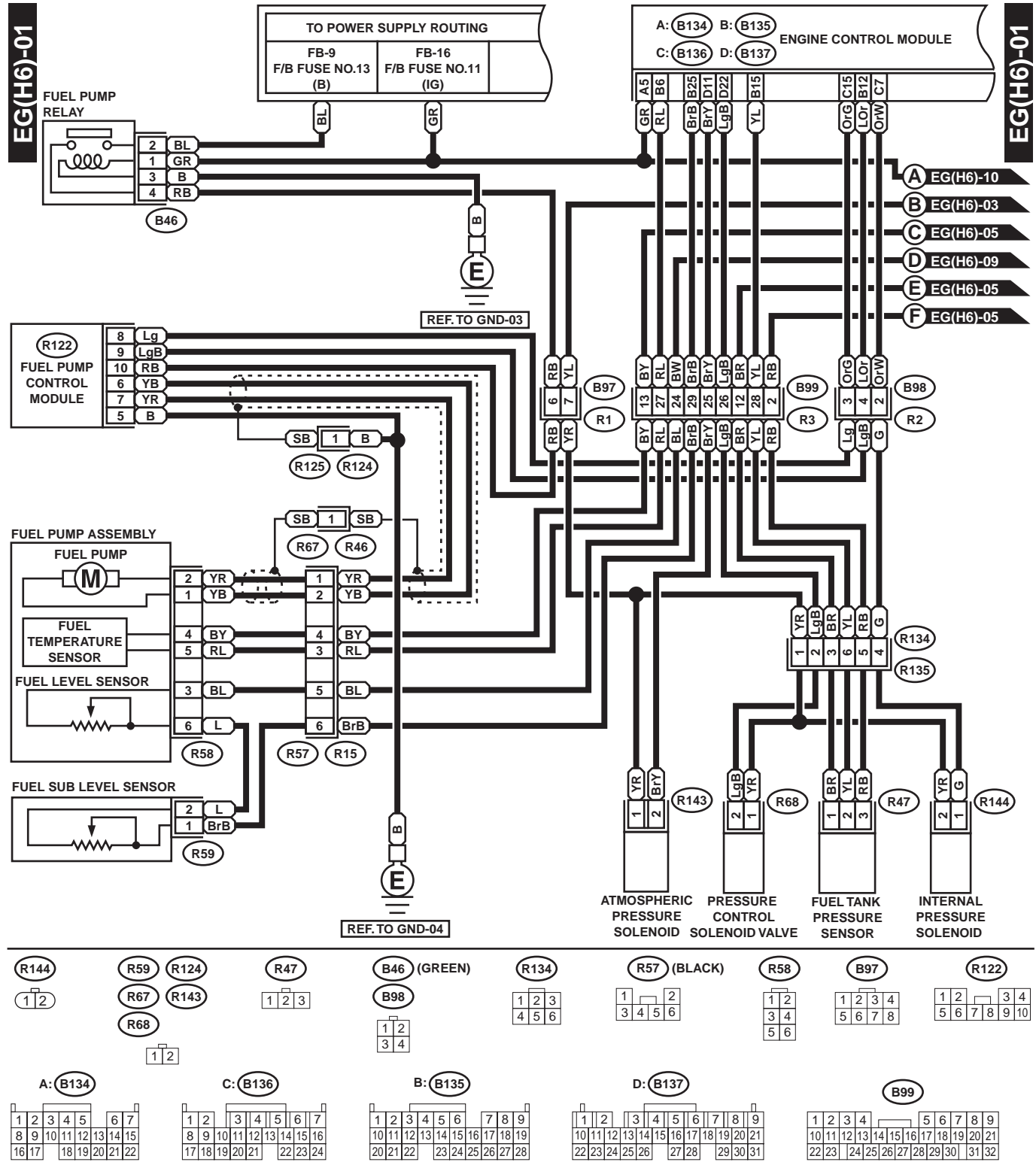


WI-00618

ENGINE ELECTRICAL SYSTEM

WIRING SYSTEM

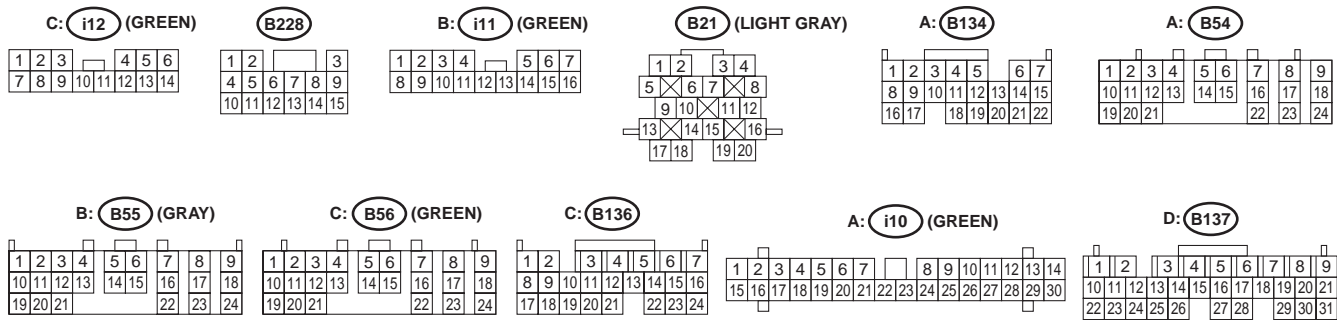
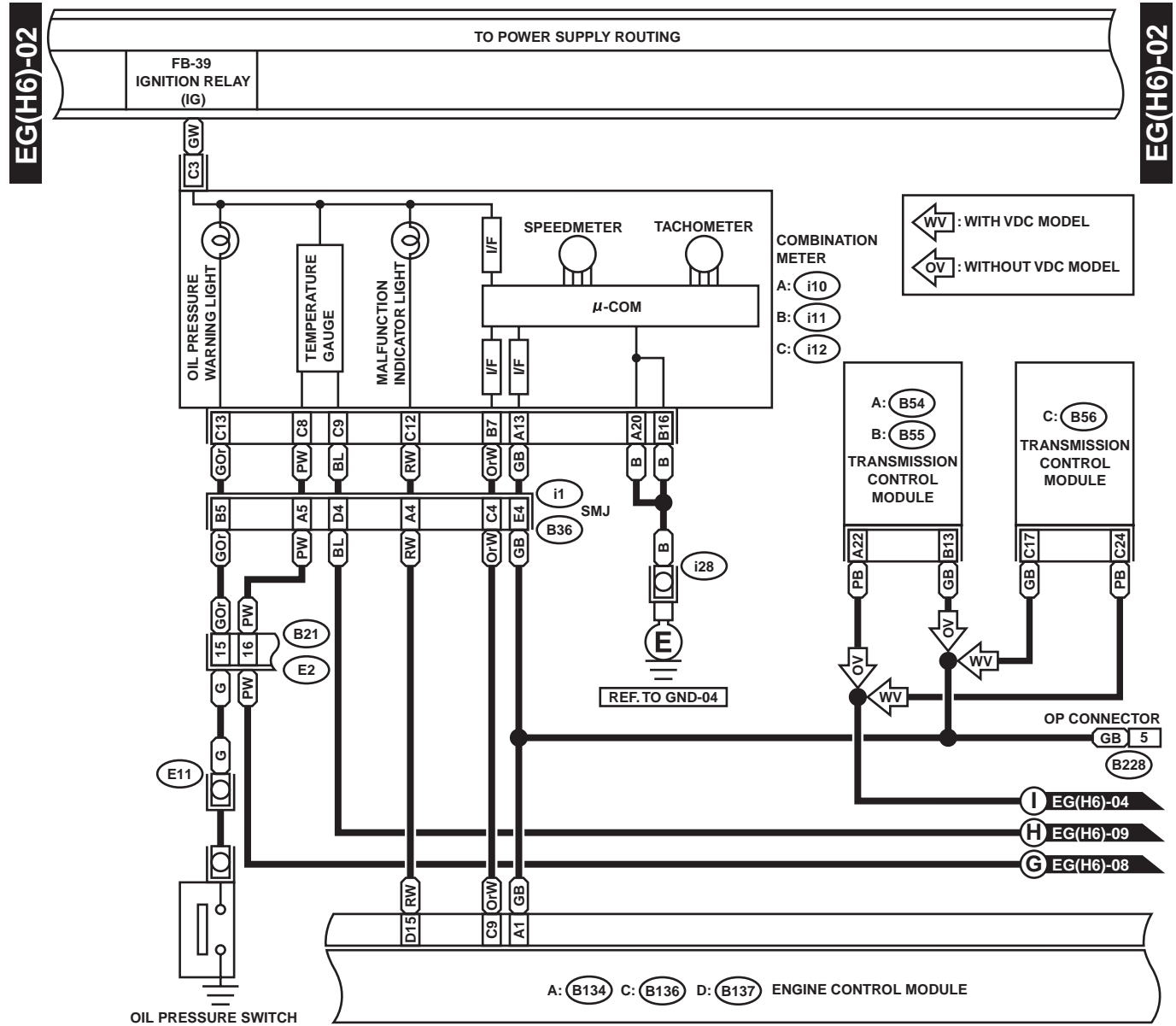
3. 6-CYLINDER ENGINE MODEL



WI-00619

ENGINE ELECTRICAL SYSTEM

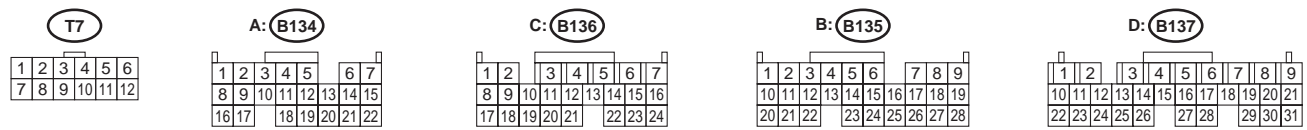
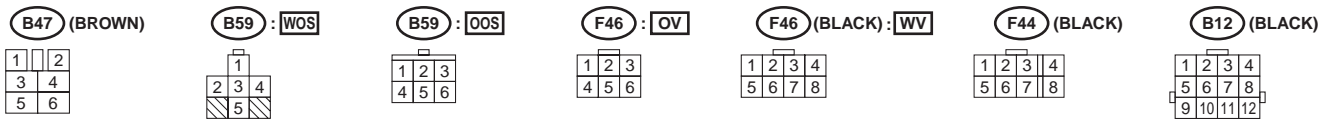
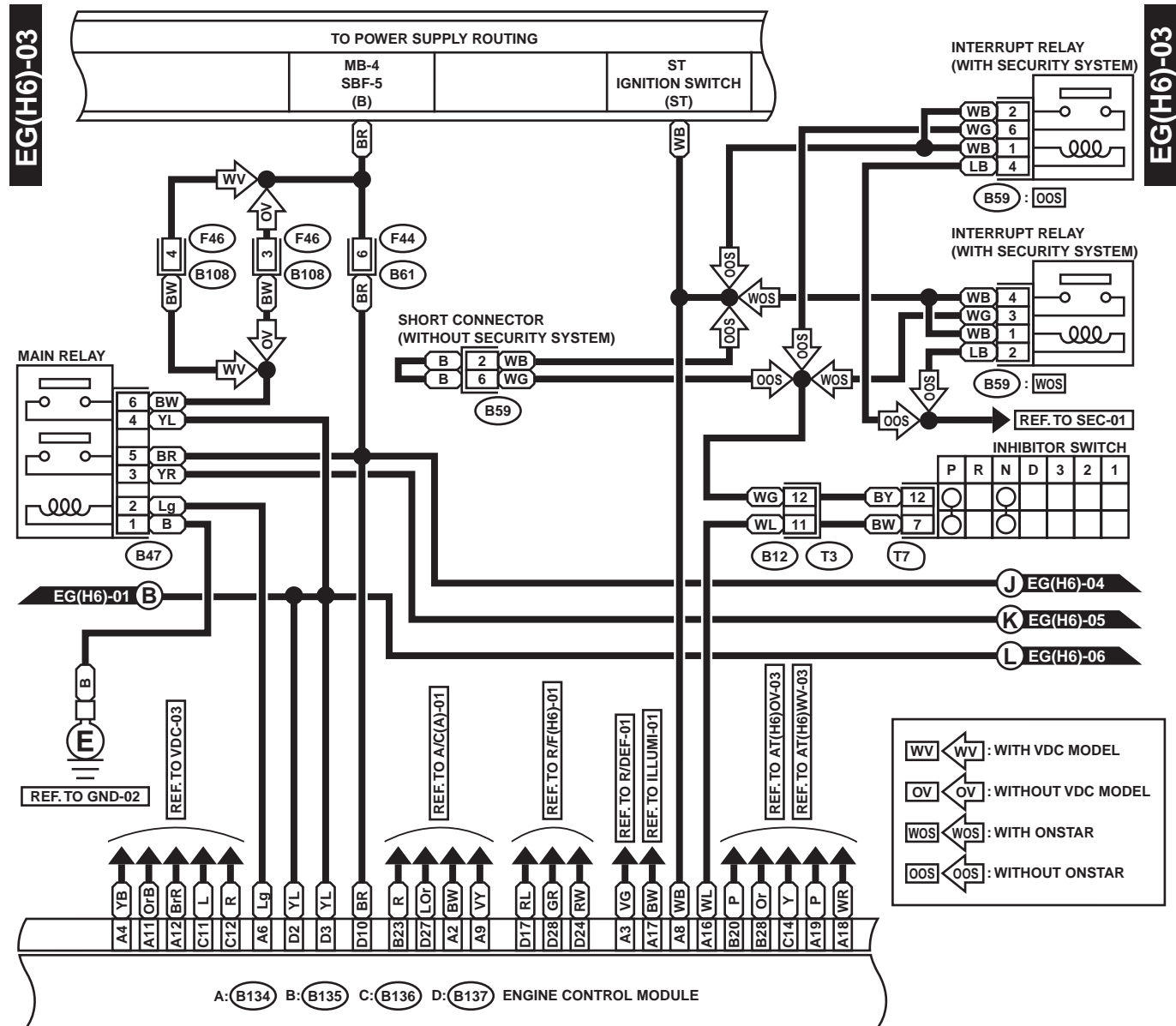
WIRING SYSTEM



WI-00620

ENGINE ELECTRICAL SYSTEM

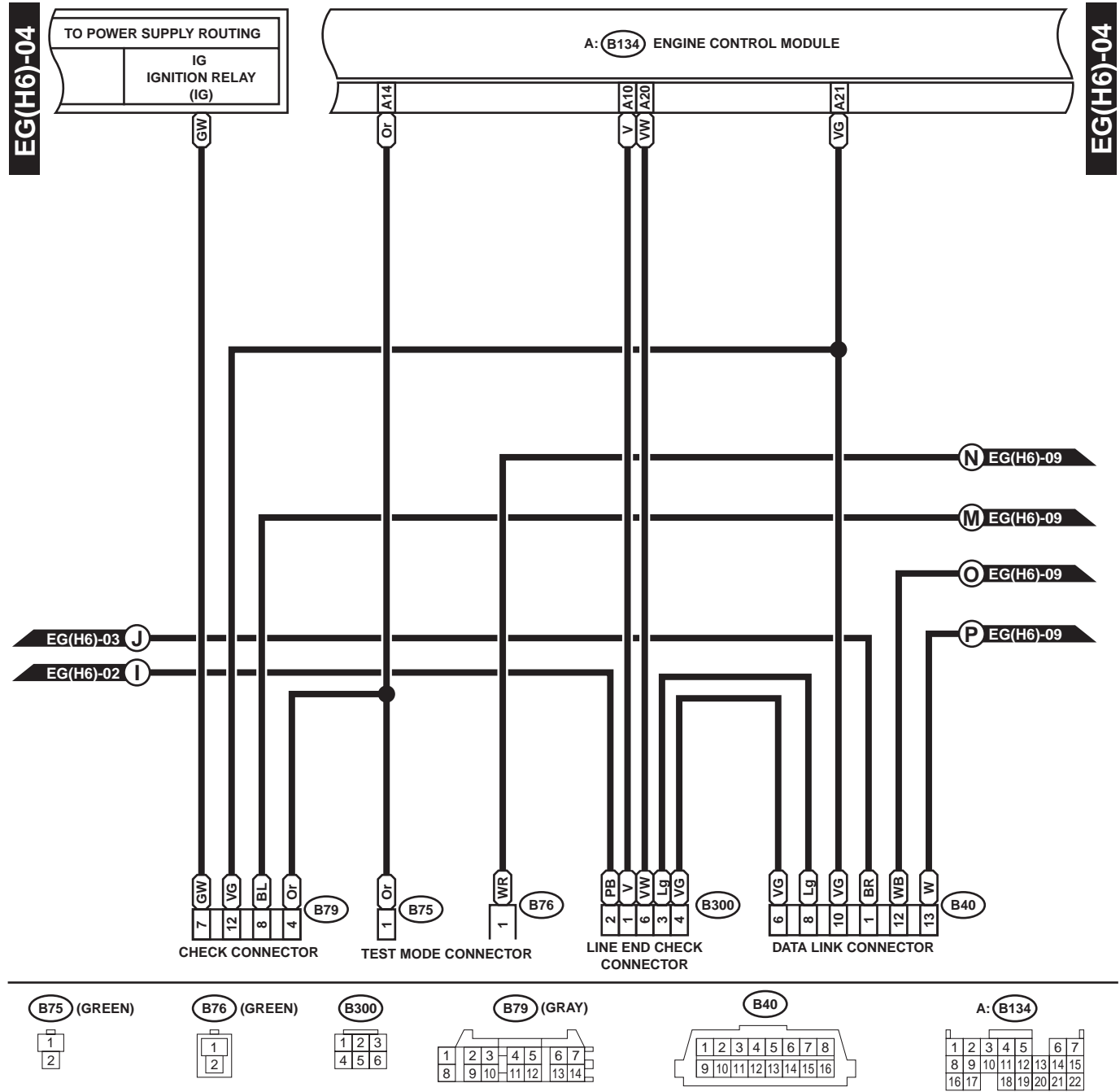
WIRING SYSTEM



WI-00621

ENGINE ELECTRICAL SYSTEM

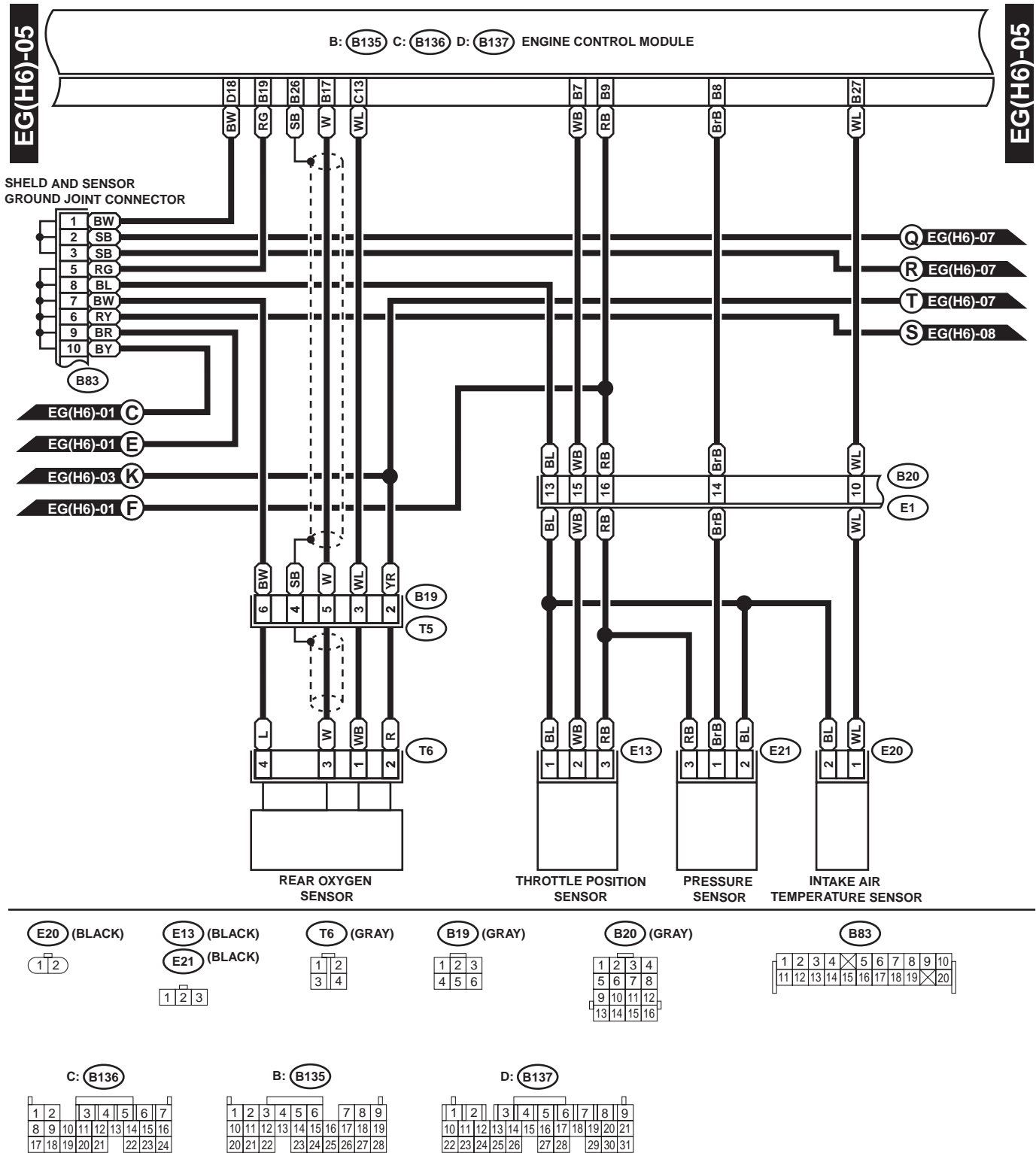
WIRING SYSTEM



WI-00622

ENGINE ELECTRICAL SYSTEM

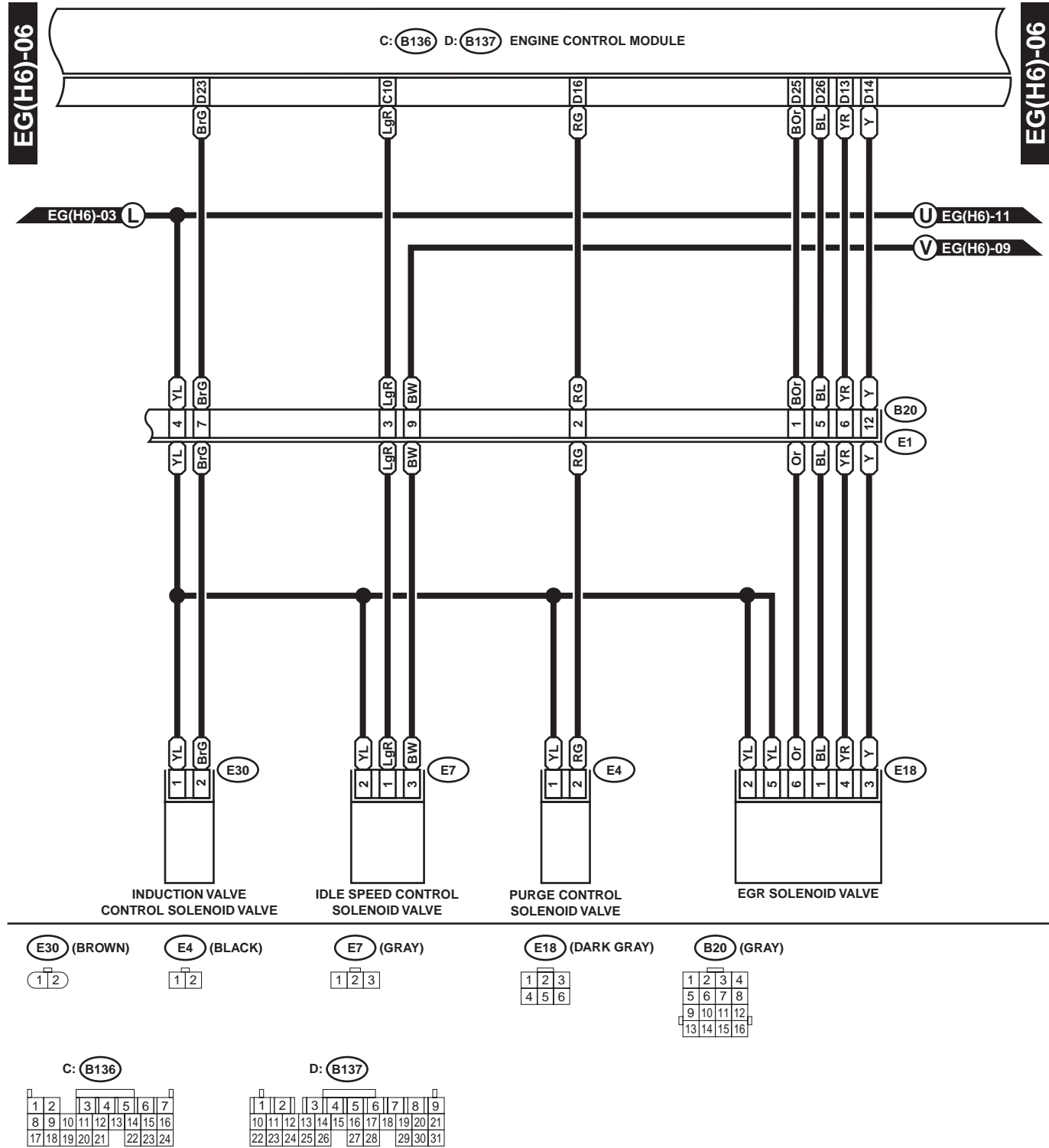
WIRING SYSTEM



WI-00623

ENGINE ELECTRICAL SYSTEM

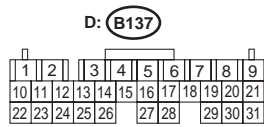
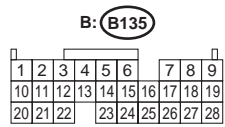
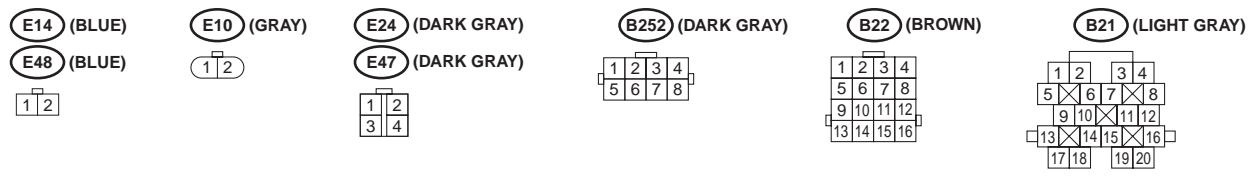
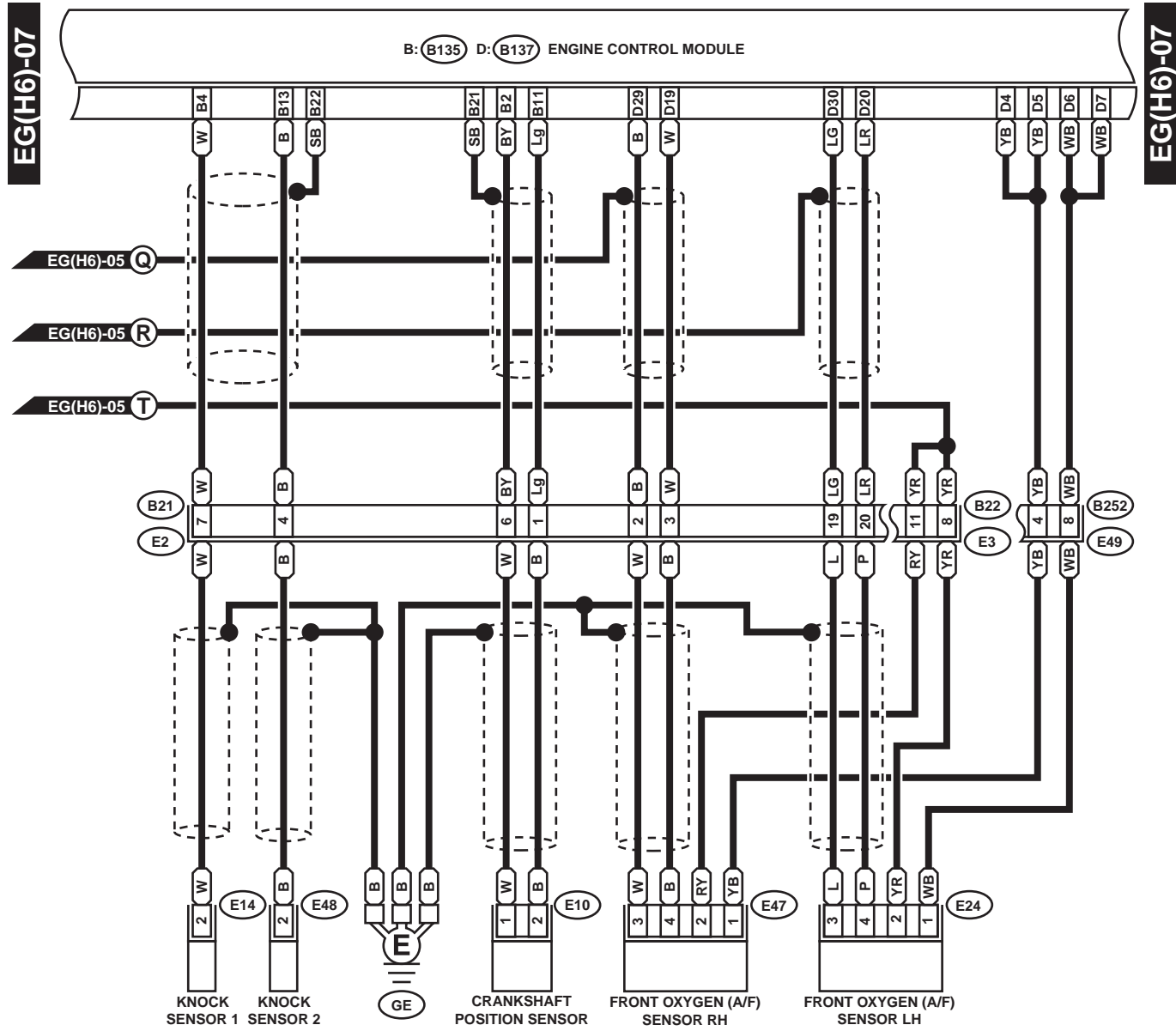
WIRING SYSTEM



WI-00624

ENGINE ELECTRICAL SYSTEM

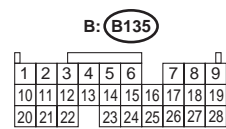
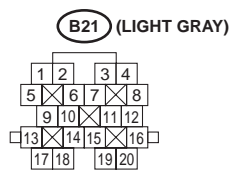
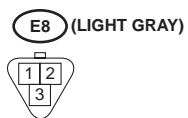
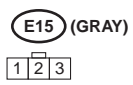
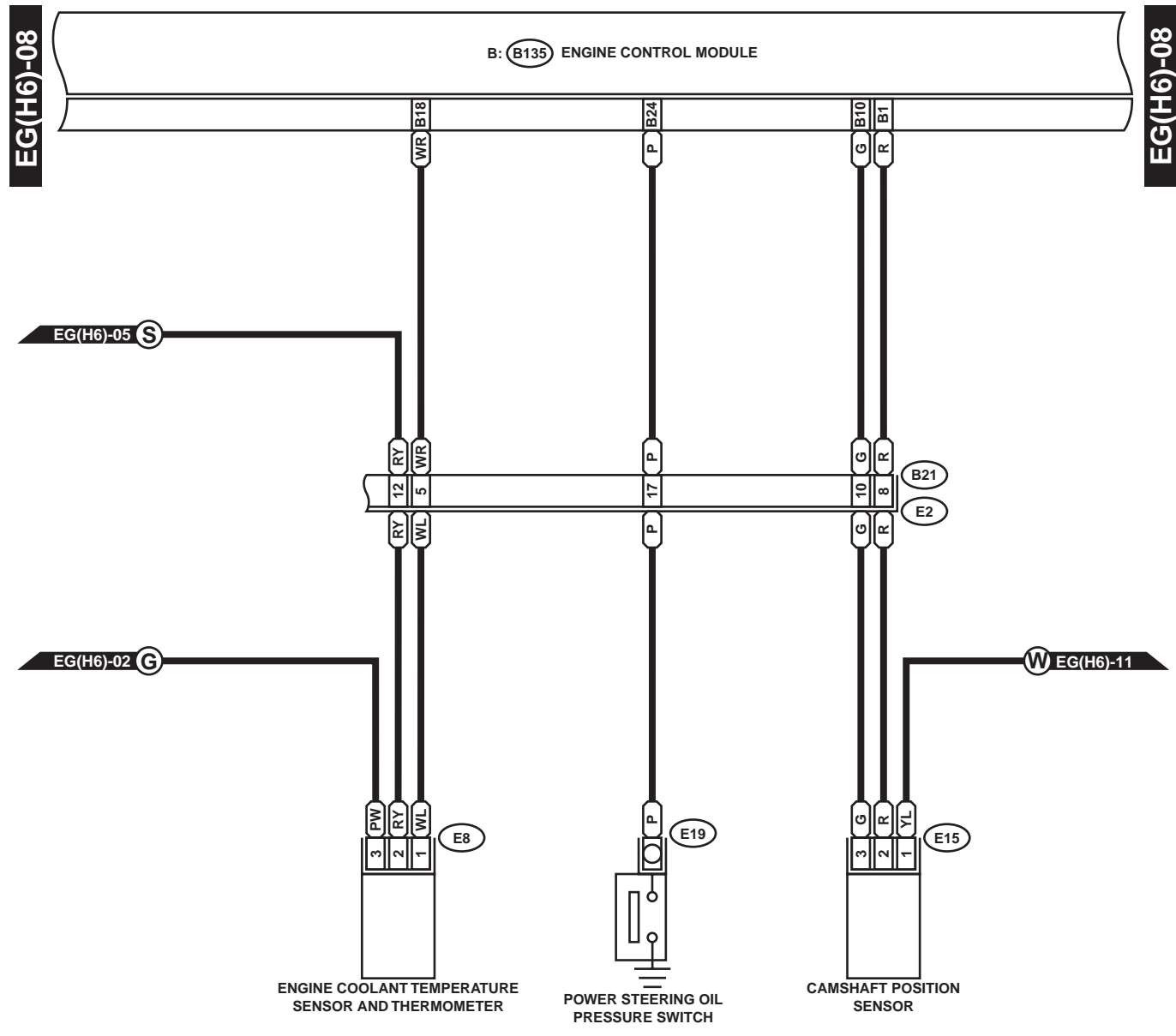
WIRING SYSTEM



WI-00625

ENGINE ELECTRICAL SYSTEM

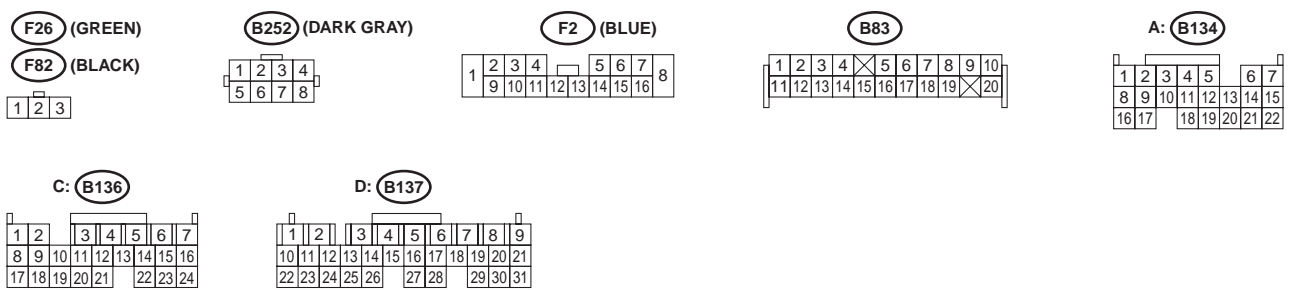
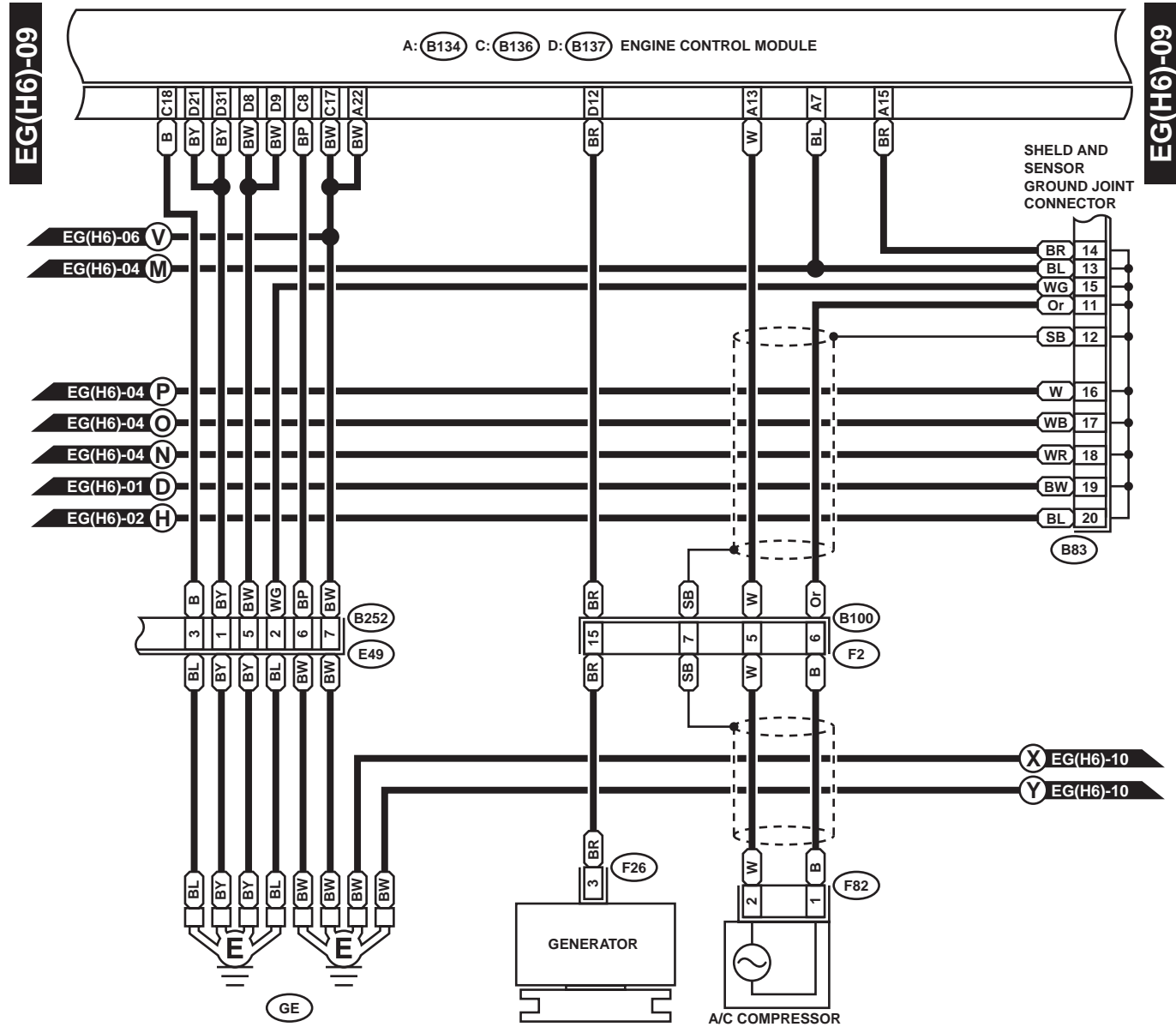
WIRING SYSTEM



WI-00626

ENGINE ELECTRICAL SYSTEM

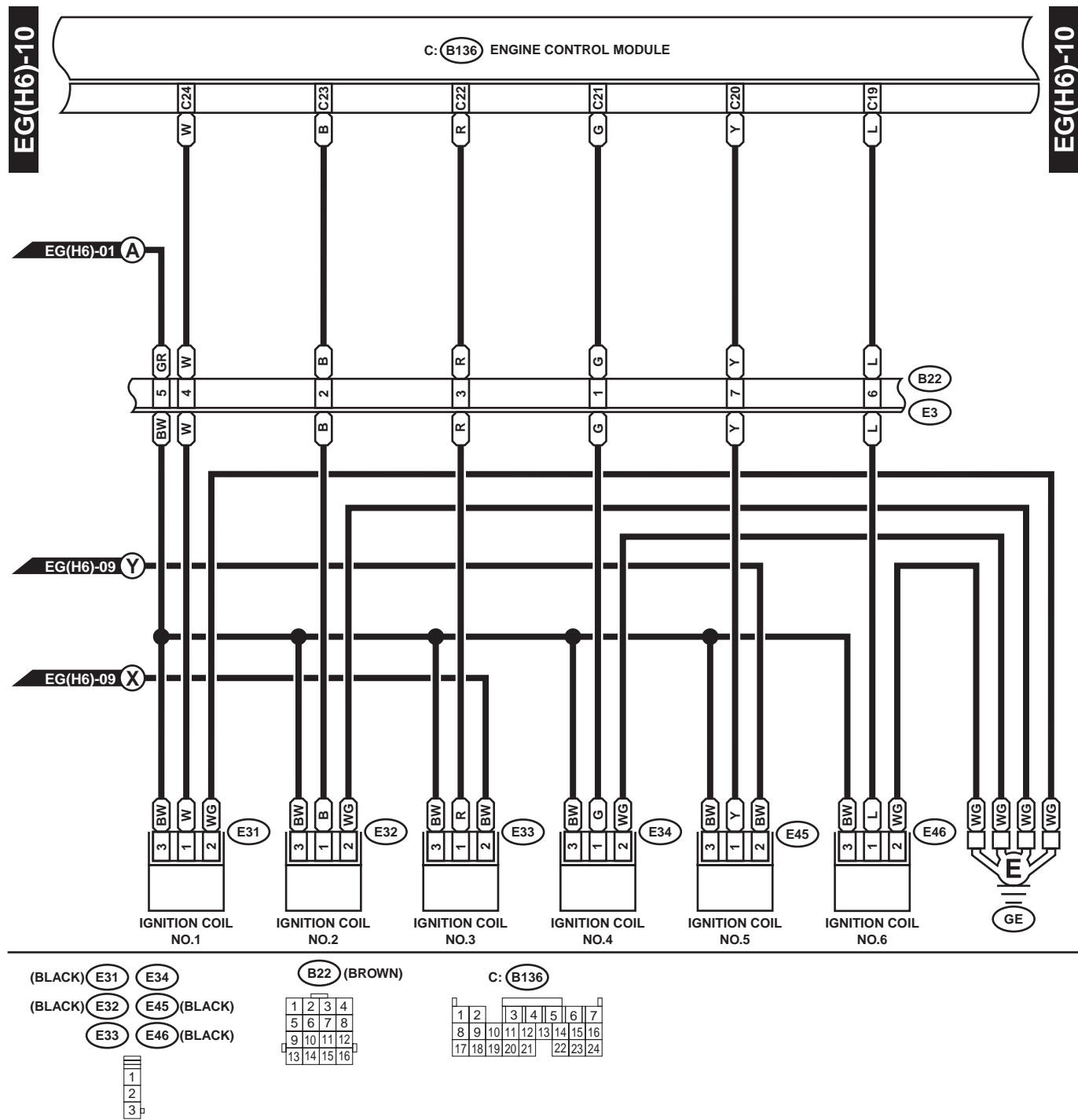
WIRING SYSTEM



WI-00627

ENGINE ELECTRICAL SYSTEM

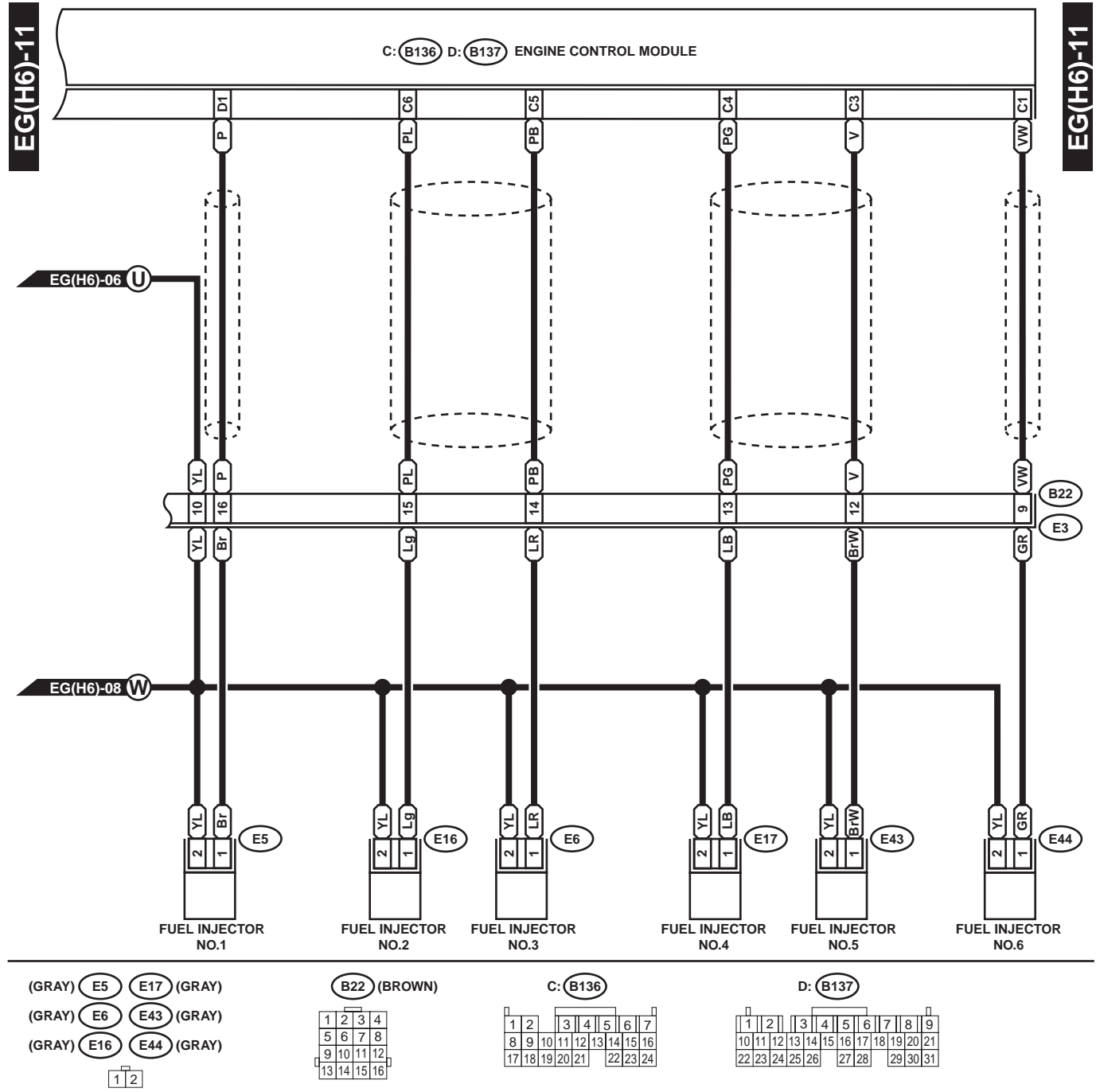
WIRING SYSTEM



WI-00628

ENGINE ELECTRICAL SYSTEM

WIRING SYSTEM



WI-00629

ENGINE ELECTRICAL SYSTEM

WIRING SYSTEM

MEMO:

WI-131

FUEL GAUGE SYSTEM

WIRING SYSTEM

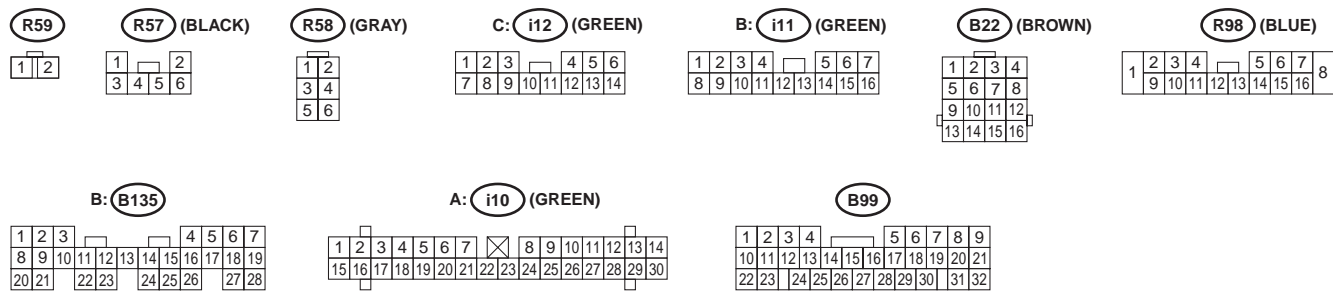
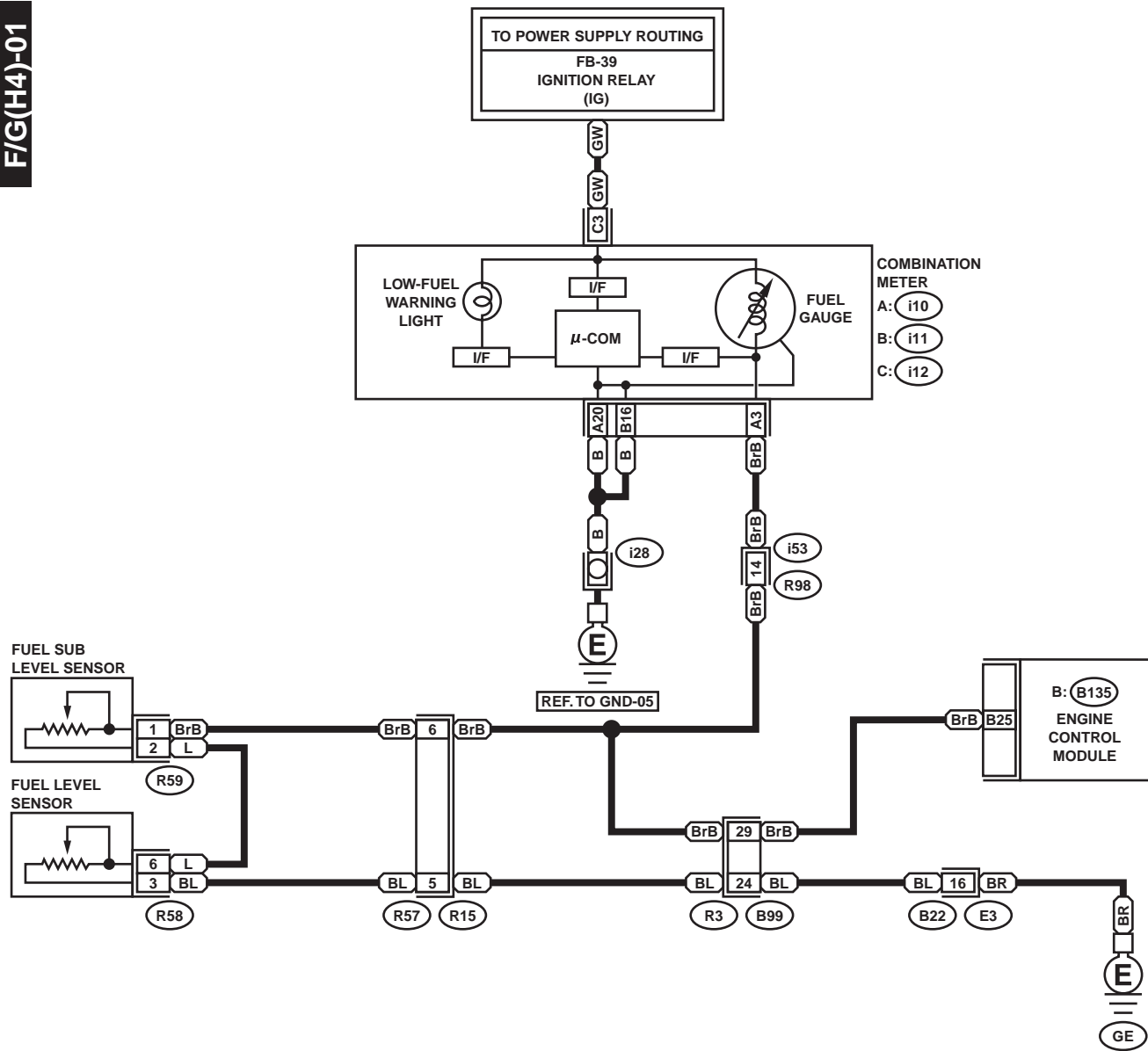
19. Fuel Gauge System

A: SCHEMATIC

1. 4-CYLINDER ENGINE MODEL

F/G(H4)-01

F/G(H4)-01



WI-01061

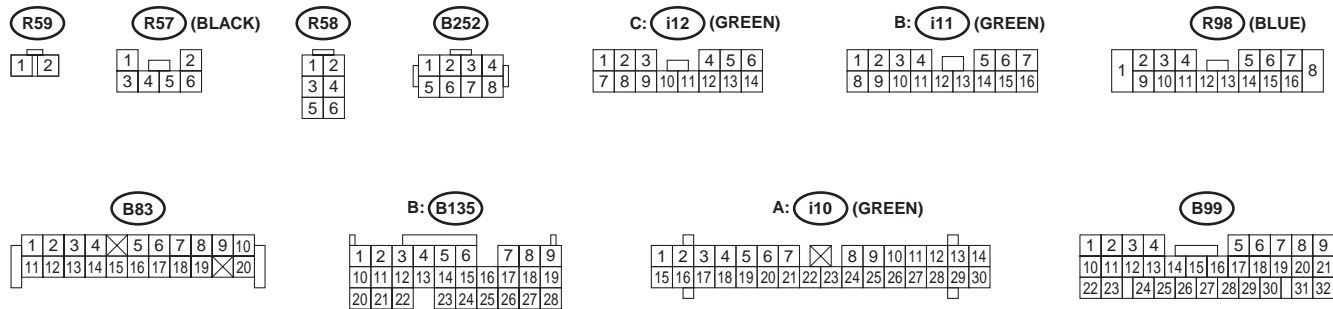
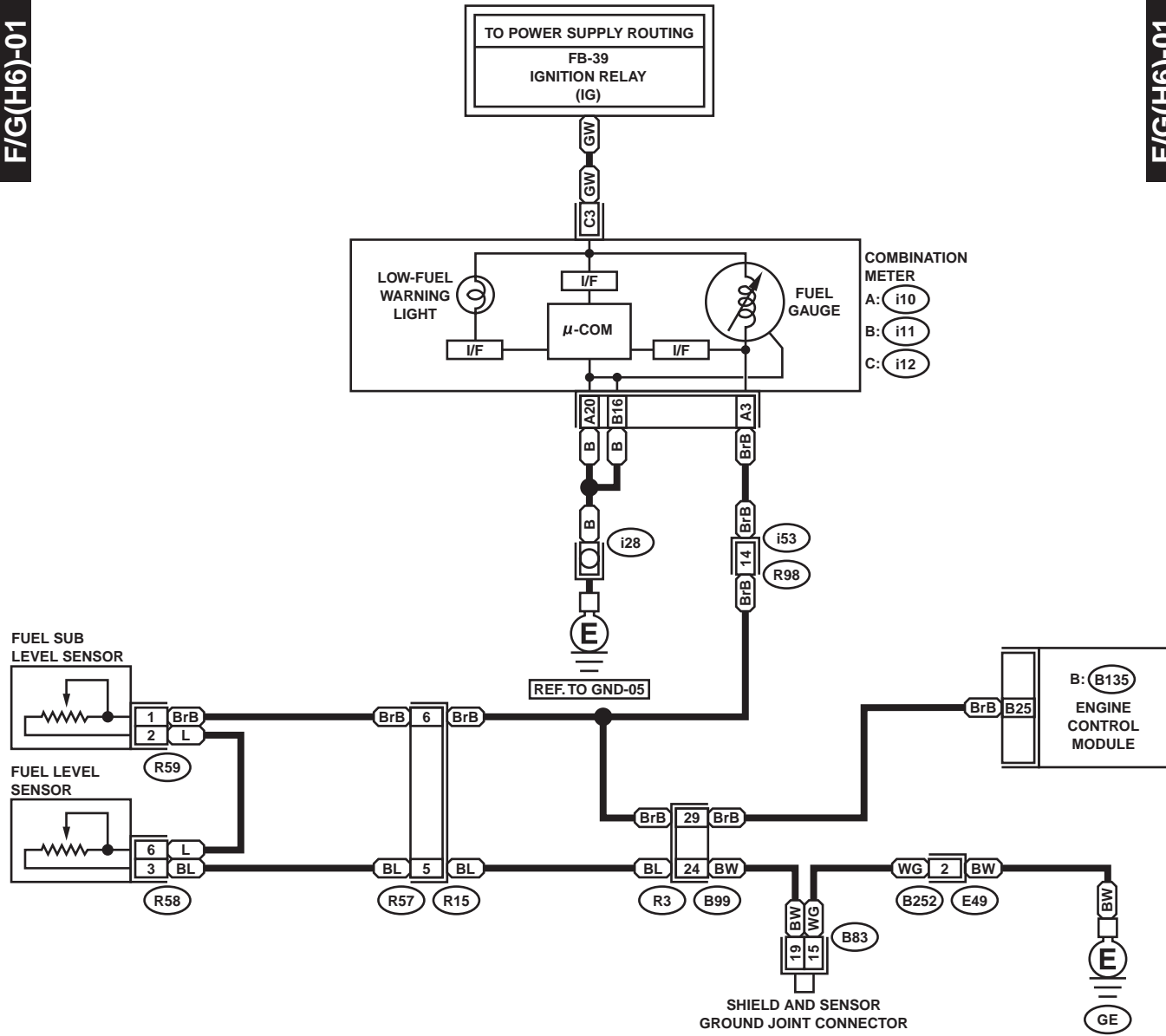
FUEL GAUGE SYSTEM

WIRING SYSTEM

2. 6-CYLINDER ENGINE MODEL

F/G(H6)-01

F/G(H6)-01



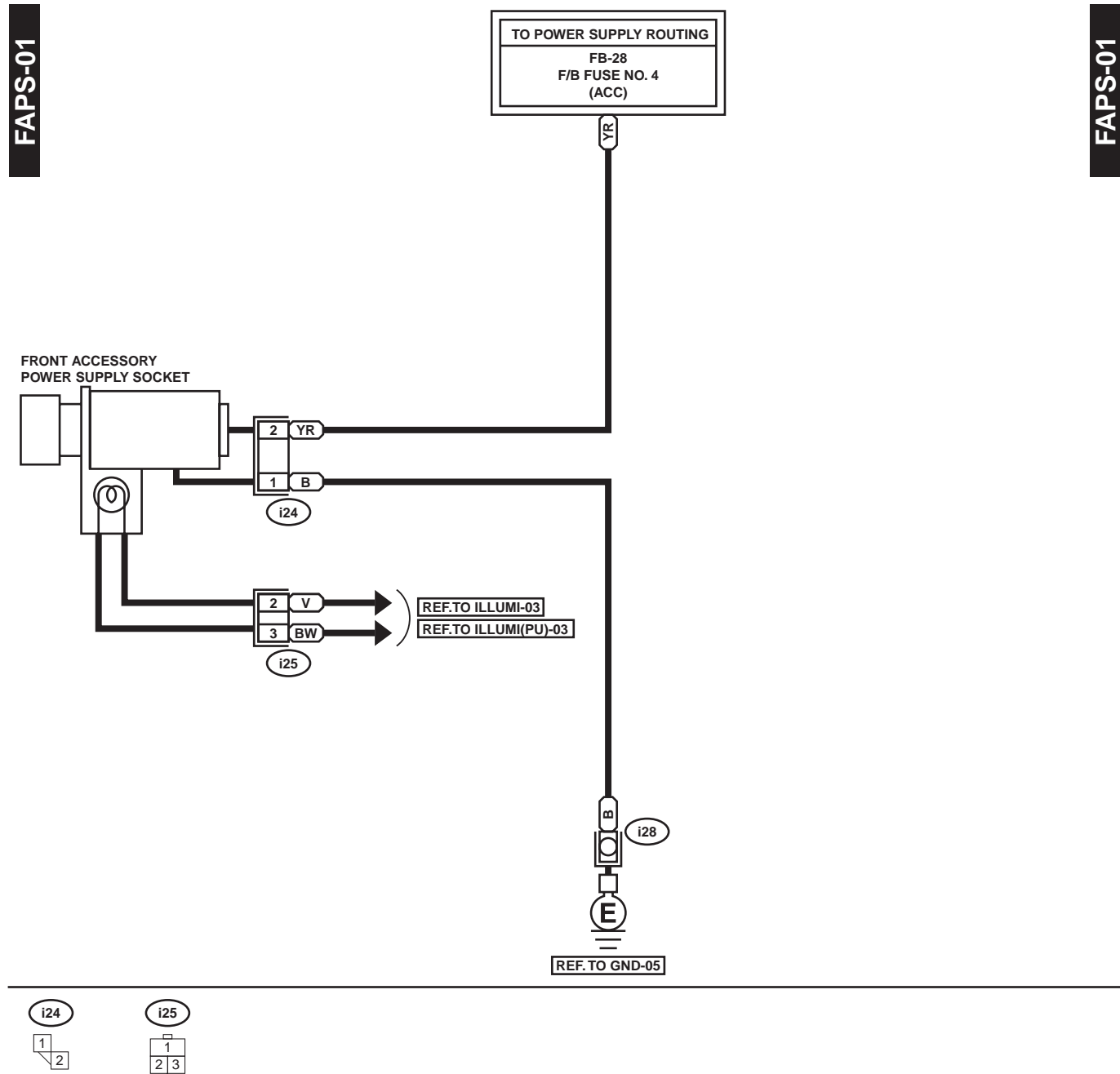
WI-00631

FRONT ACCESSORY POWER SUPPLY SYSTEM

WIRING SYSTEM

20.Front Accessory Power Supply System

A: SCHEMATIC



WI-00632

FRONT ACCESSORY POWER SUPPLY SYSTEM

WIRING SYSTEM

MEMO:

HORN SYSTEM

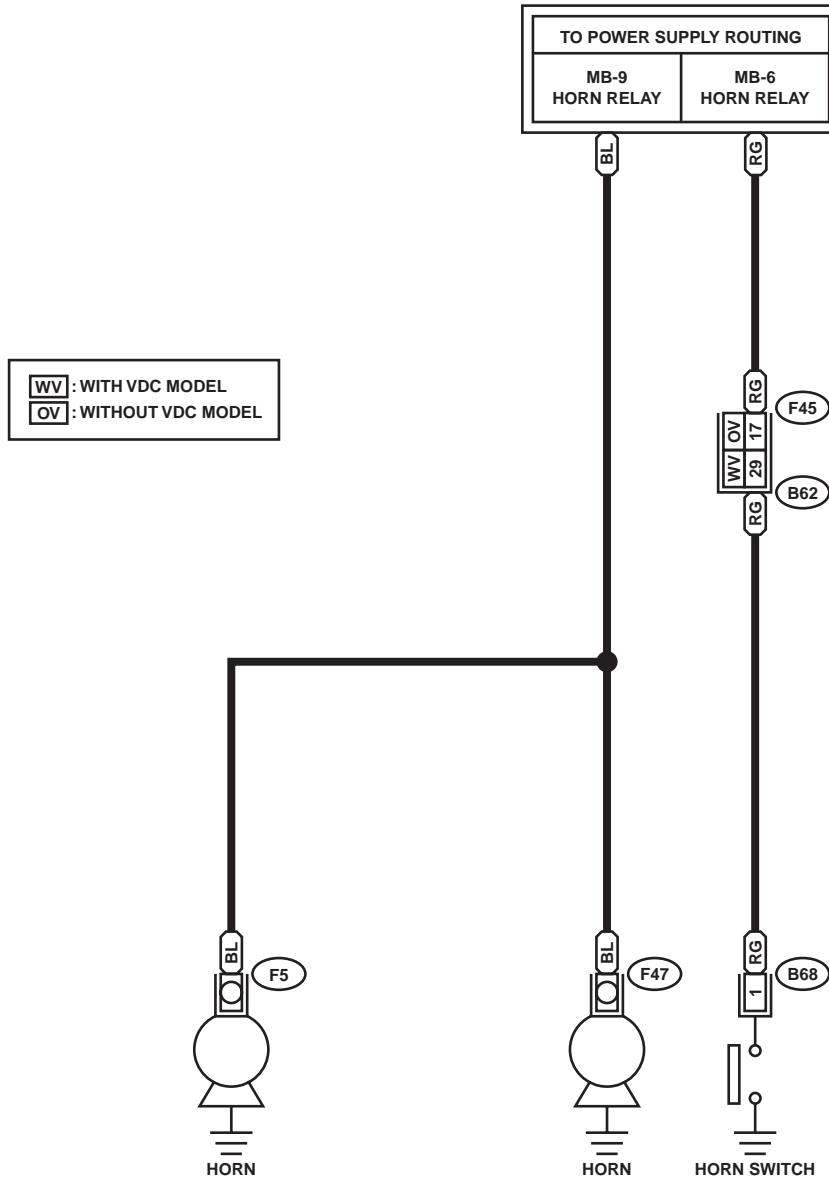
WIRING SYSTEM

21.Horn System

A: SCHEMATIC

HORN-01

HORN-01



(B68) (BLACK)

1	2
3	4

(F45) : OV

1	2	3	4	5	6	7	8	9
10	11	12	13	14	15	16	17	18
19	20	21	22	23	24	25	26	27
28	29	30	31	32				

(F45) : WV

1	2	3	4	5	6	7	8	9
10	11	12	13	14	15	16	17	18
19	20	21	22	23	24	25	26	27
28	29	30	31	32				

WI-00633

HORN SYSTEM

WIRING SYSTEM

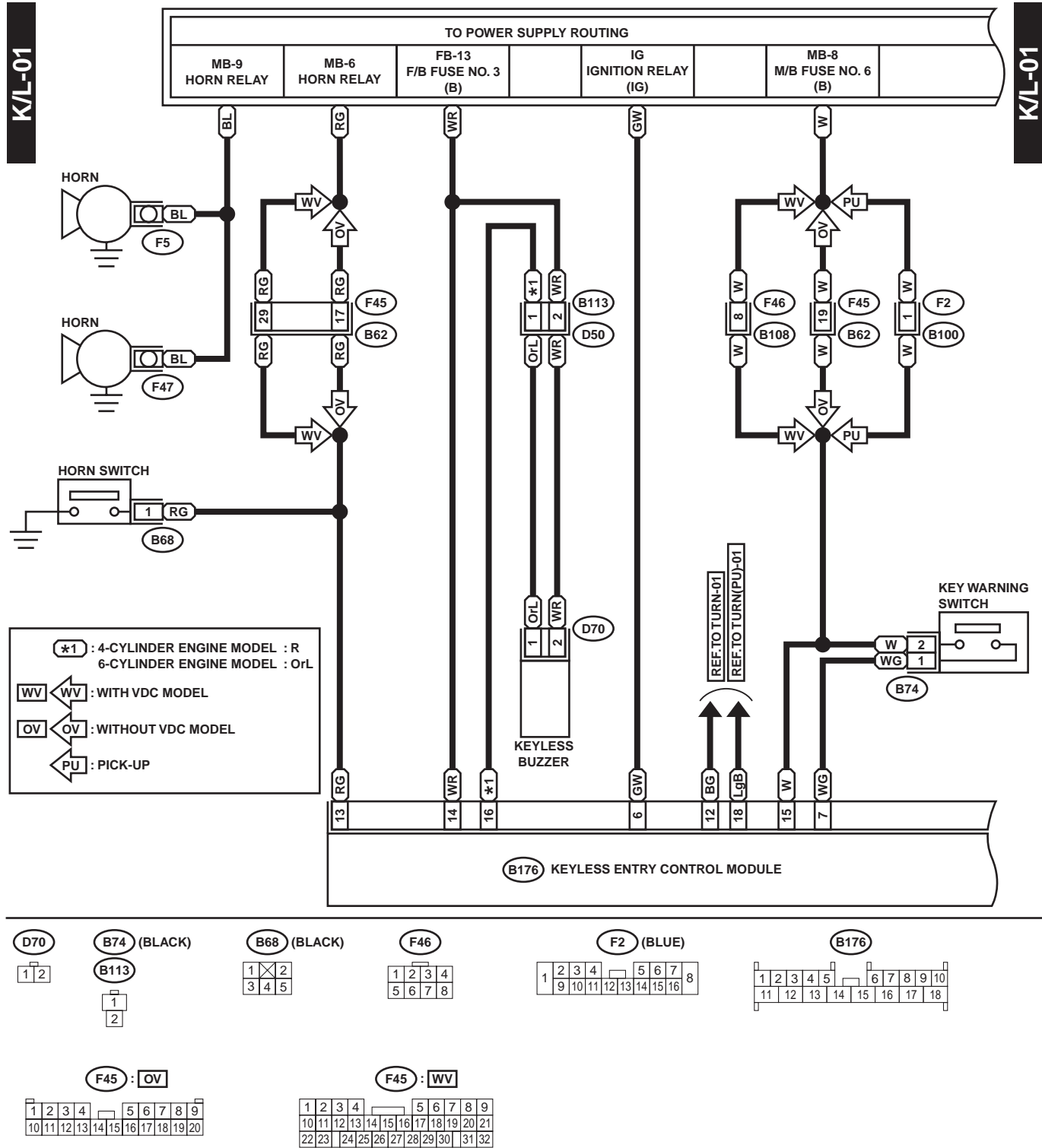
MEMO:

KEYLESS ENTRY SYSTEM

WIRING SYSTEM

22. Keyless Entry System

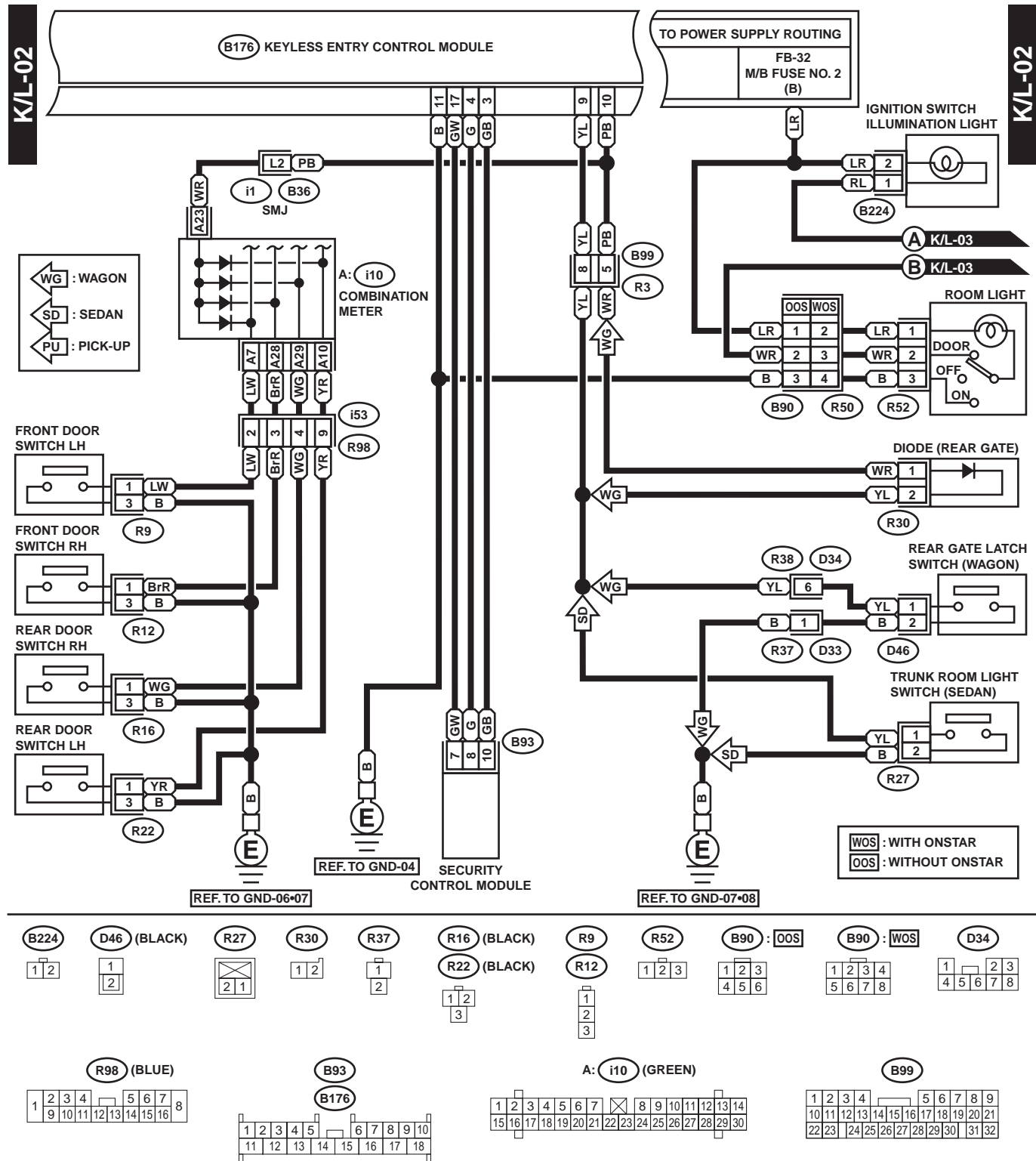
A: SCHEMATIC



WI-00634

KEYLESS ENTRY SYSTEM

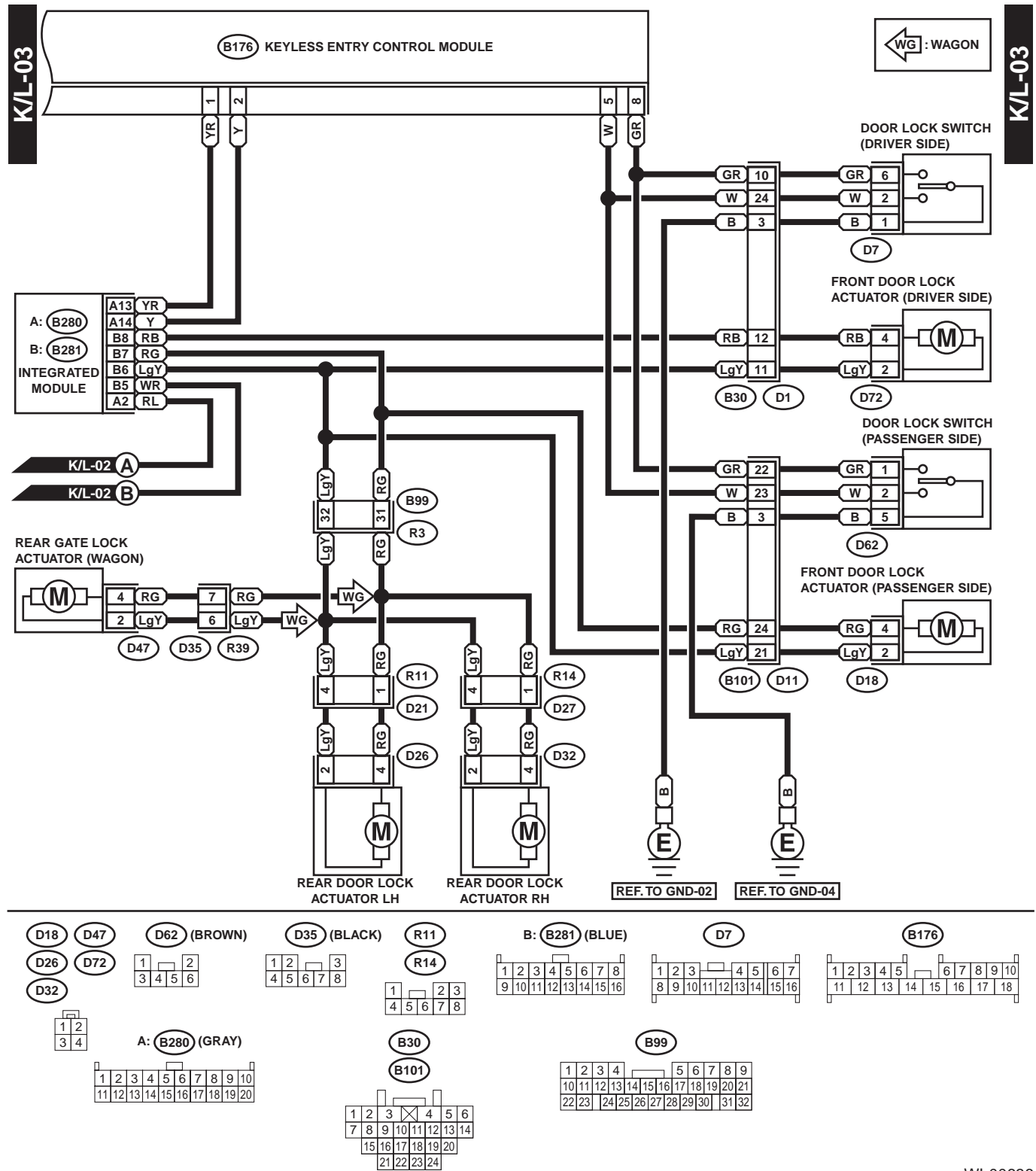
WIRING SYSTEM



WI-00635

KEYLESS ENTRY SYSTEM

WIRING SYSTEM



KEYLESS ENTRY SYSTEM

WIRING SYSTEM

MEMO:

WI-141

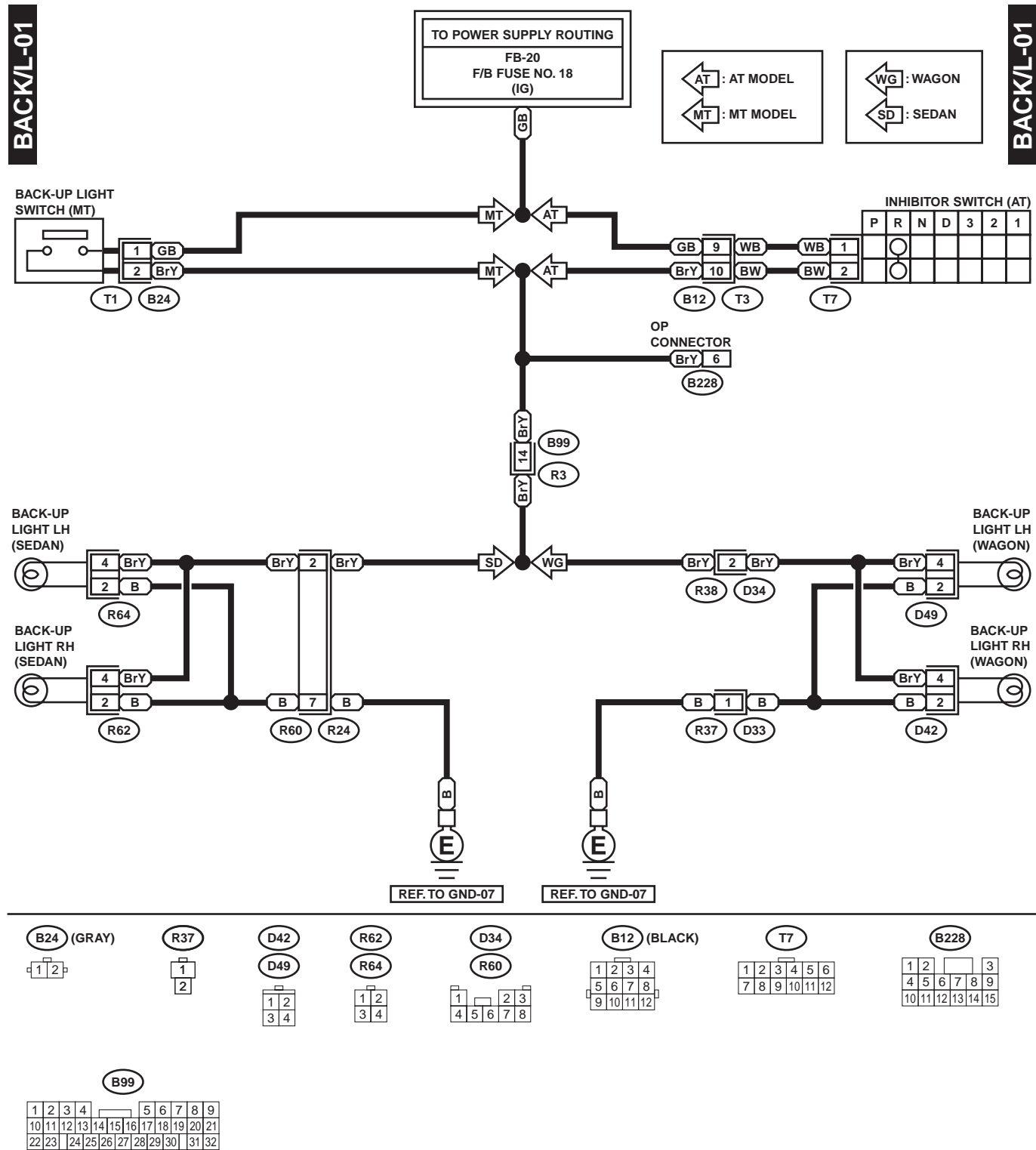
BACK-UP LIGHT SYSTEM

WIRING SYSTEM

23.Back-up Light System

A: SCHEMATIC

1. SEDAN & WAGON MODEL

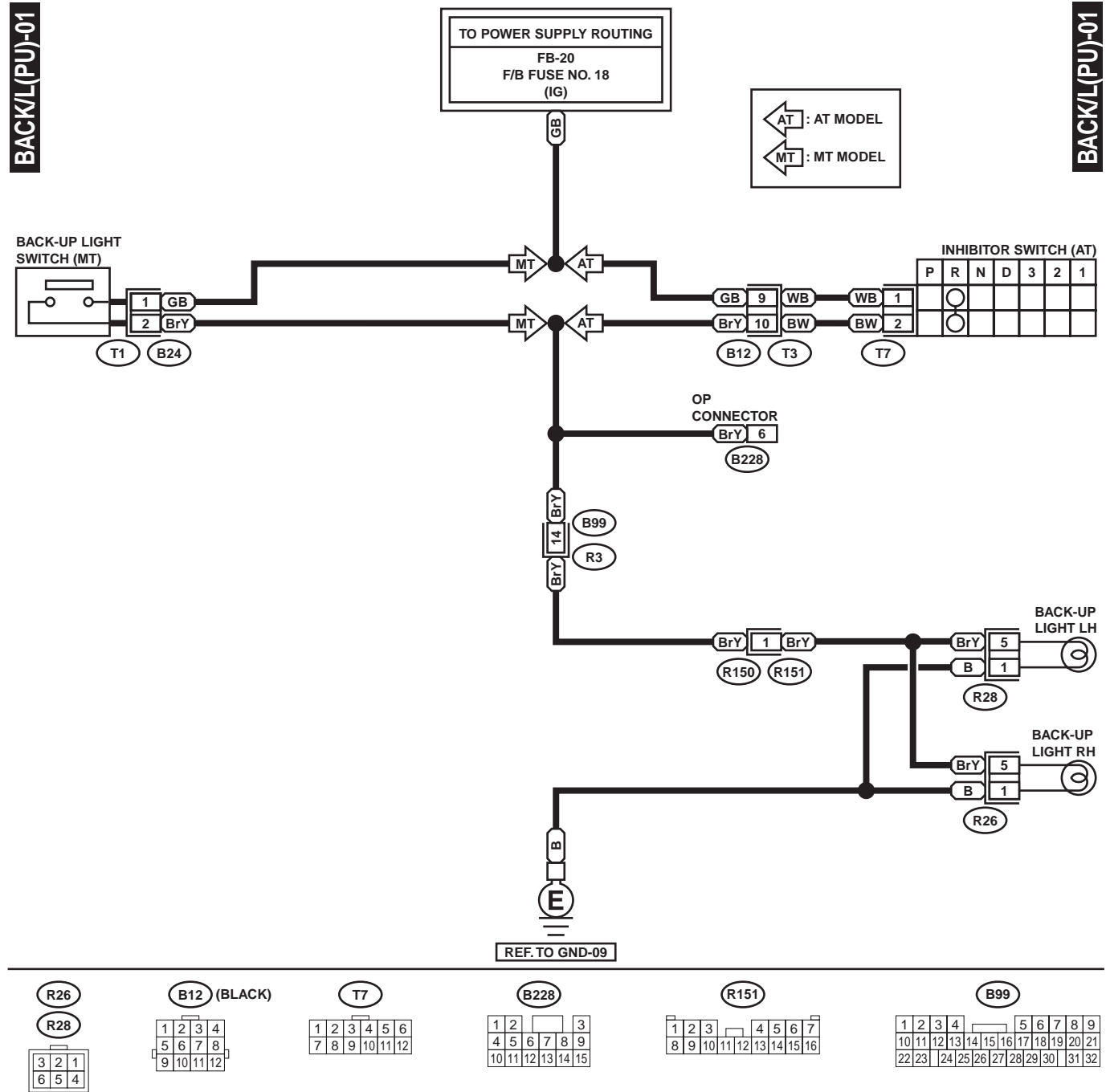


WI-00637

BACK-UP LIGHT SYSTEM

WIRING SYSTEM

2. PICK-UP MODEL



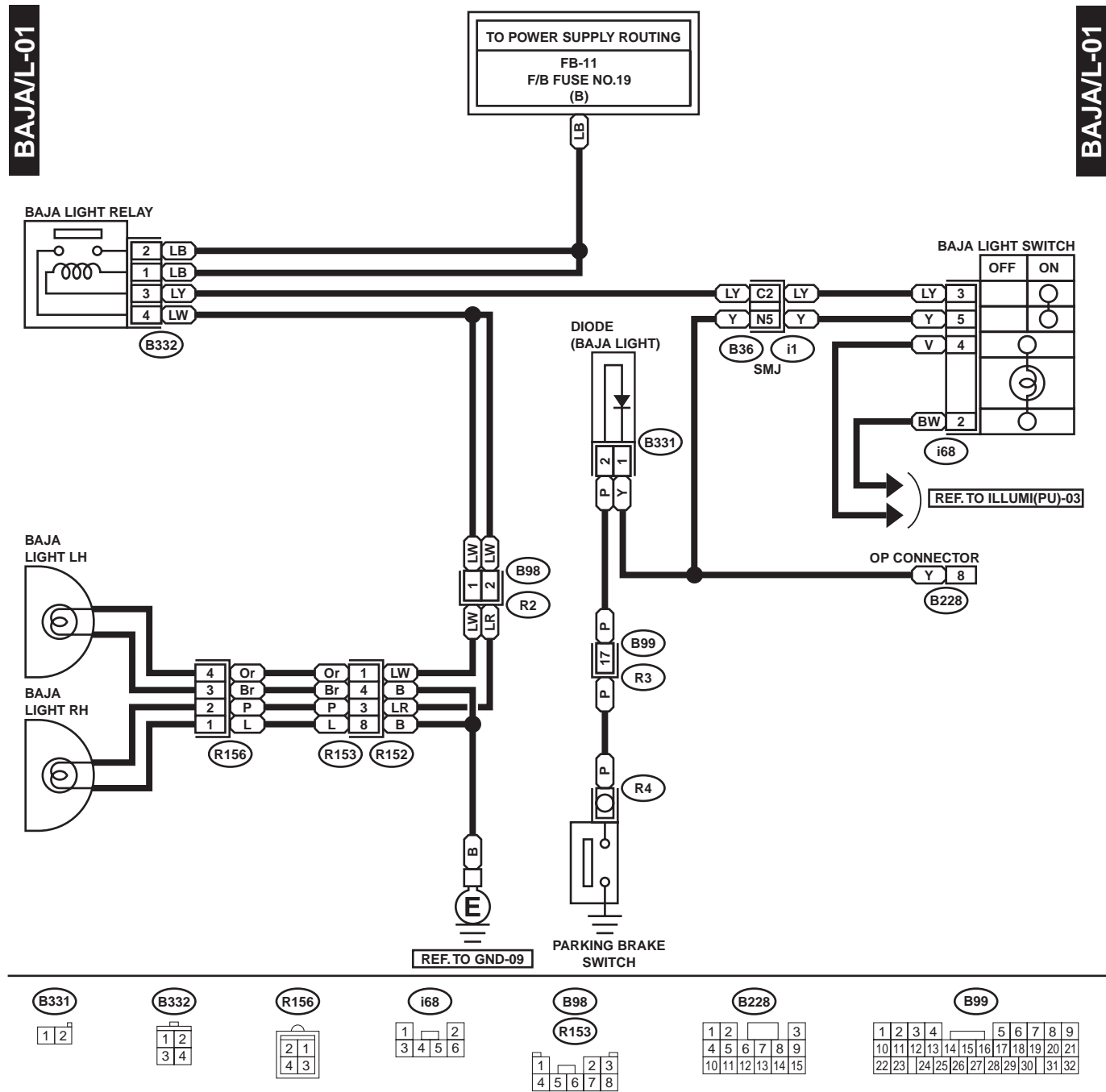
WI-00638

BAJA LIGHT SYSTEM

WIRING SYSTEM

24. Baja Light System

A: SCHEMATIC



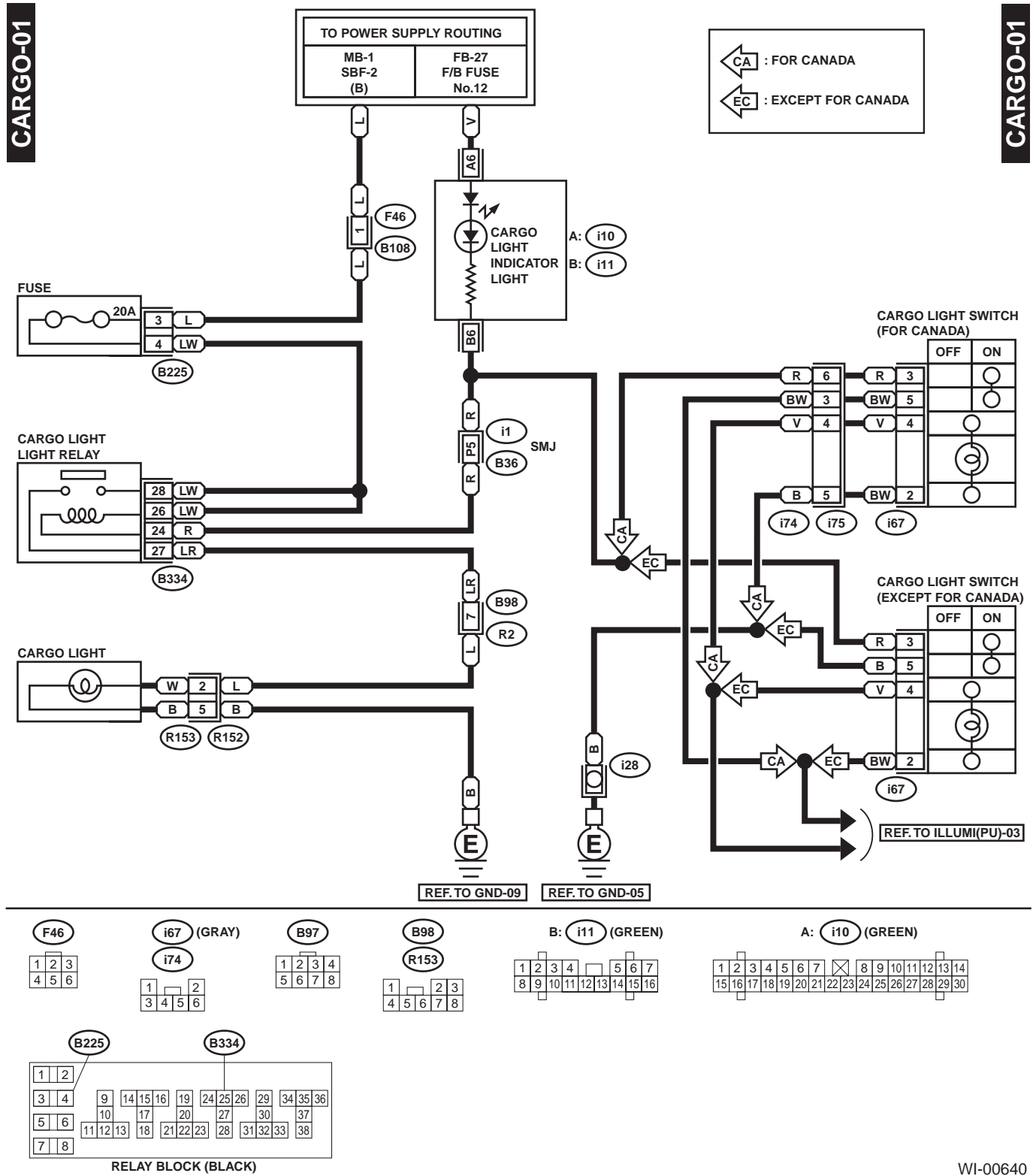
WI-00639

CARGO LIGHT SYSTEM

WIRING SYSTEM

25. Cargo Light System

A: SCHEMATIC



WI-00640

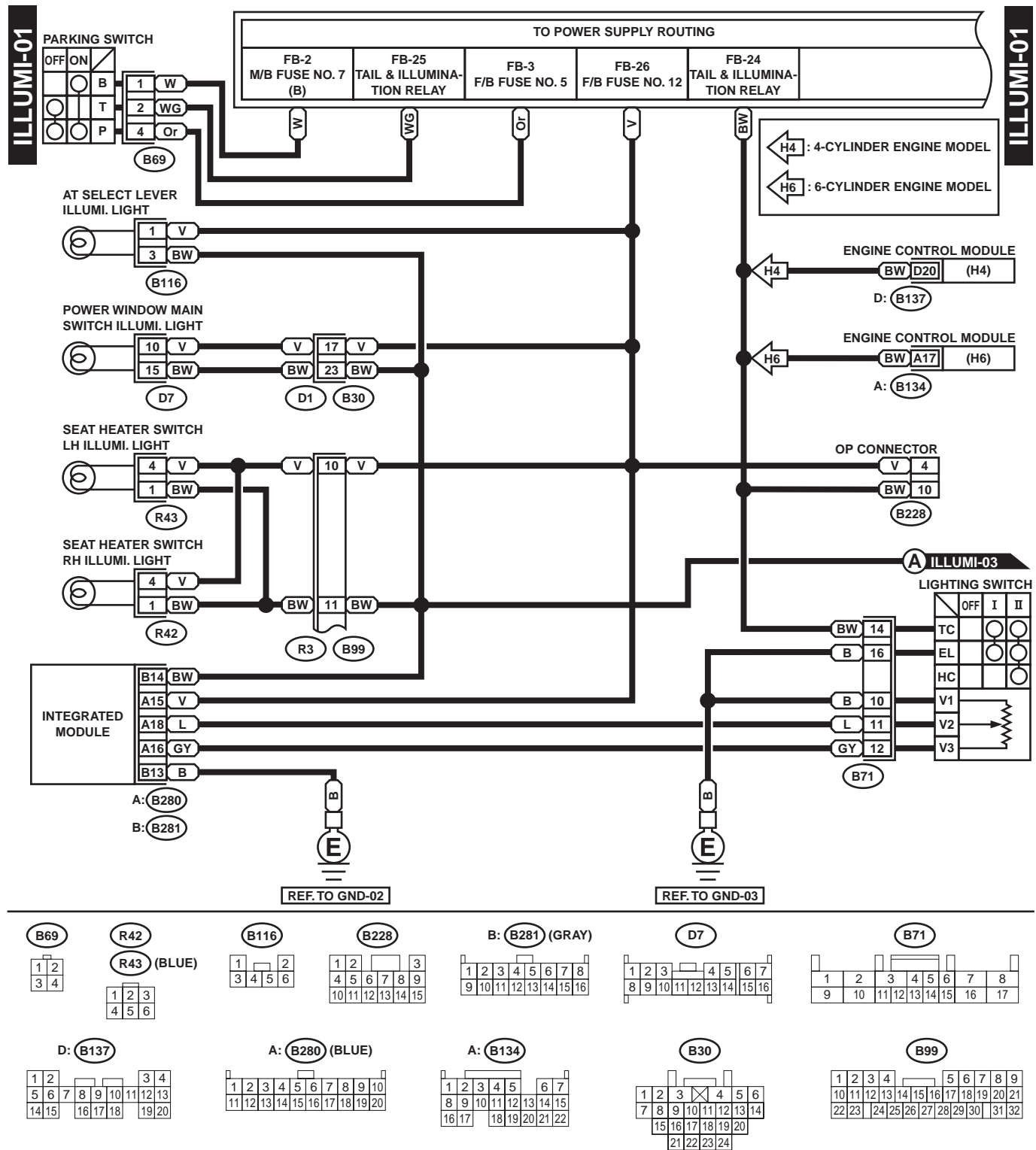
CLEARANCE LIGHT AND ILLUMINATION LIGHT SYSTEM

WIRING SYSTEM

26. Clearance Light and Illumination Light System

A: SCHEMATIC

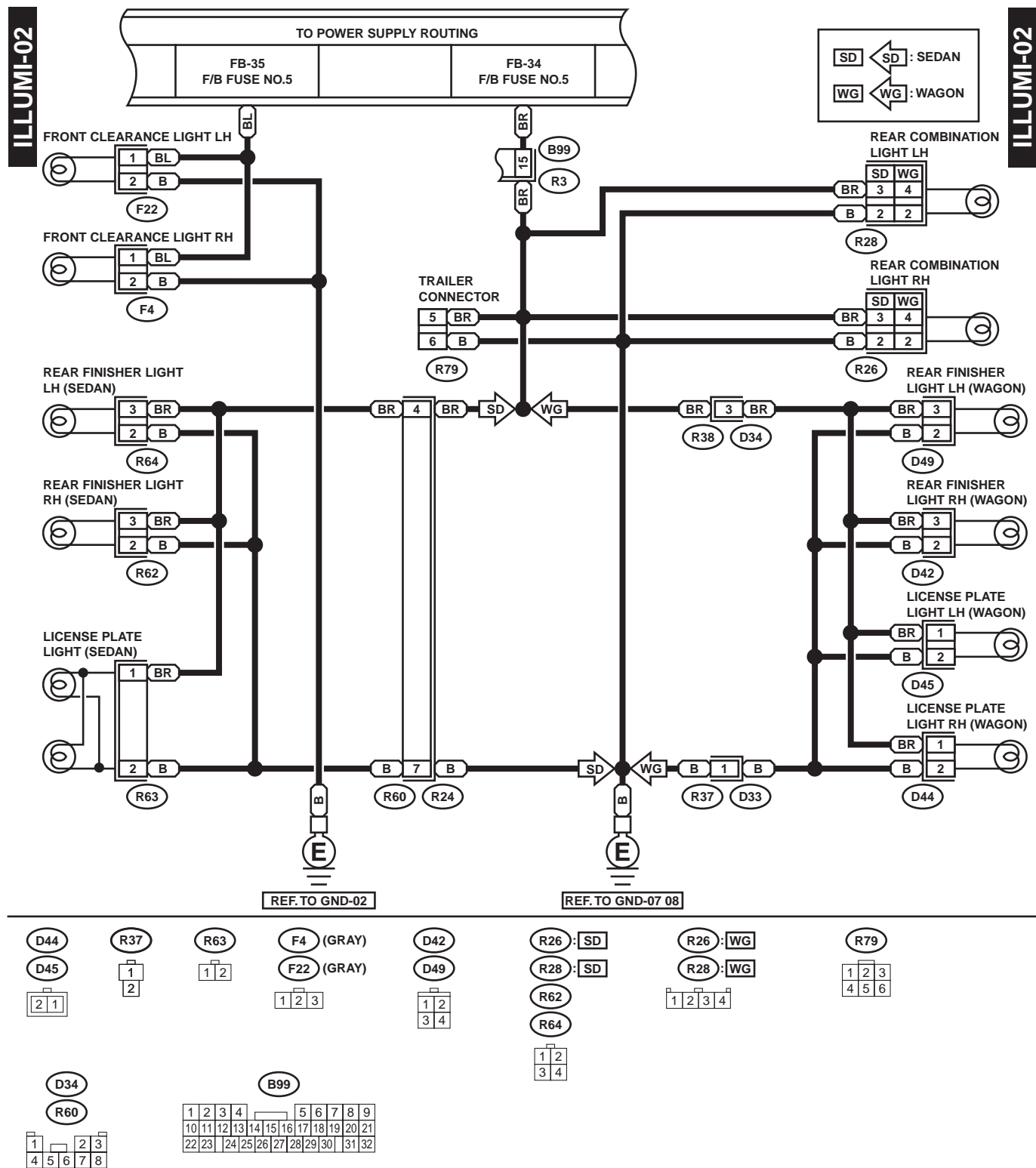
1. SEDAN & WAGON MODEL



WI-01062

CLEARANCE LIGHT AND ILLUMINATION LIGHT SYSTEM

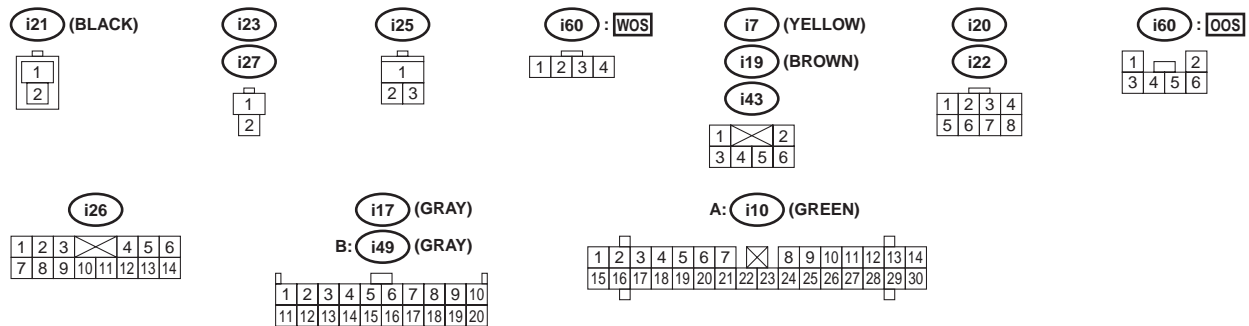
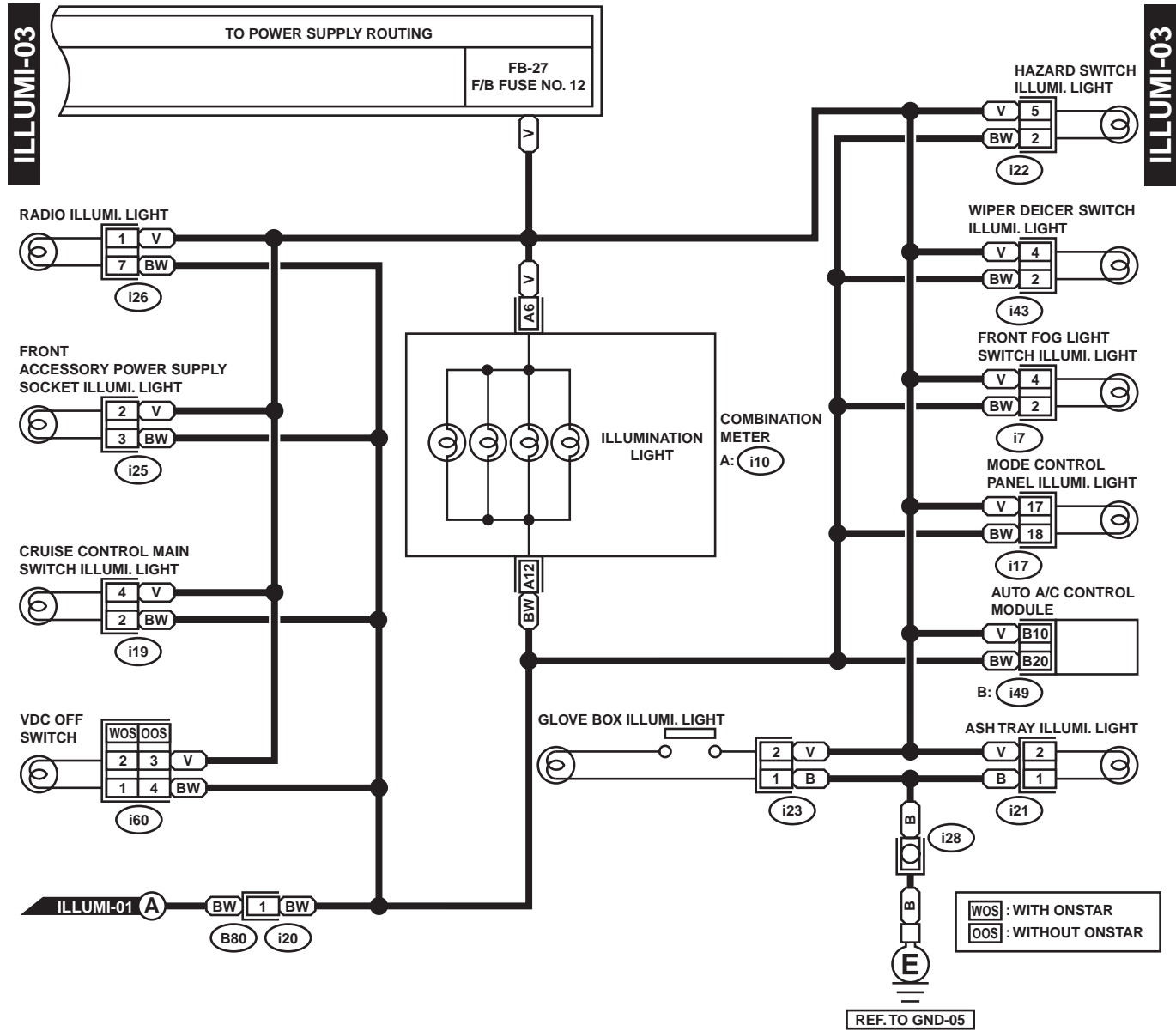
WIRING SYSTEM



WI-00642

CLEARANCE LIGHT AND ILLUMINATION LIGHT SYSTEM

WIRING SYSTEM

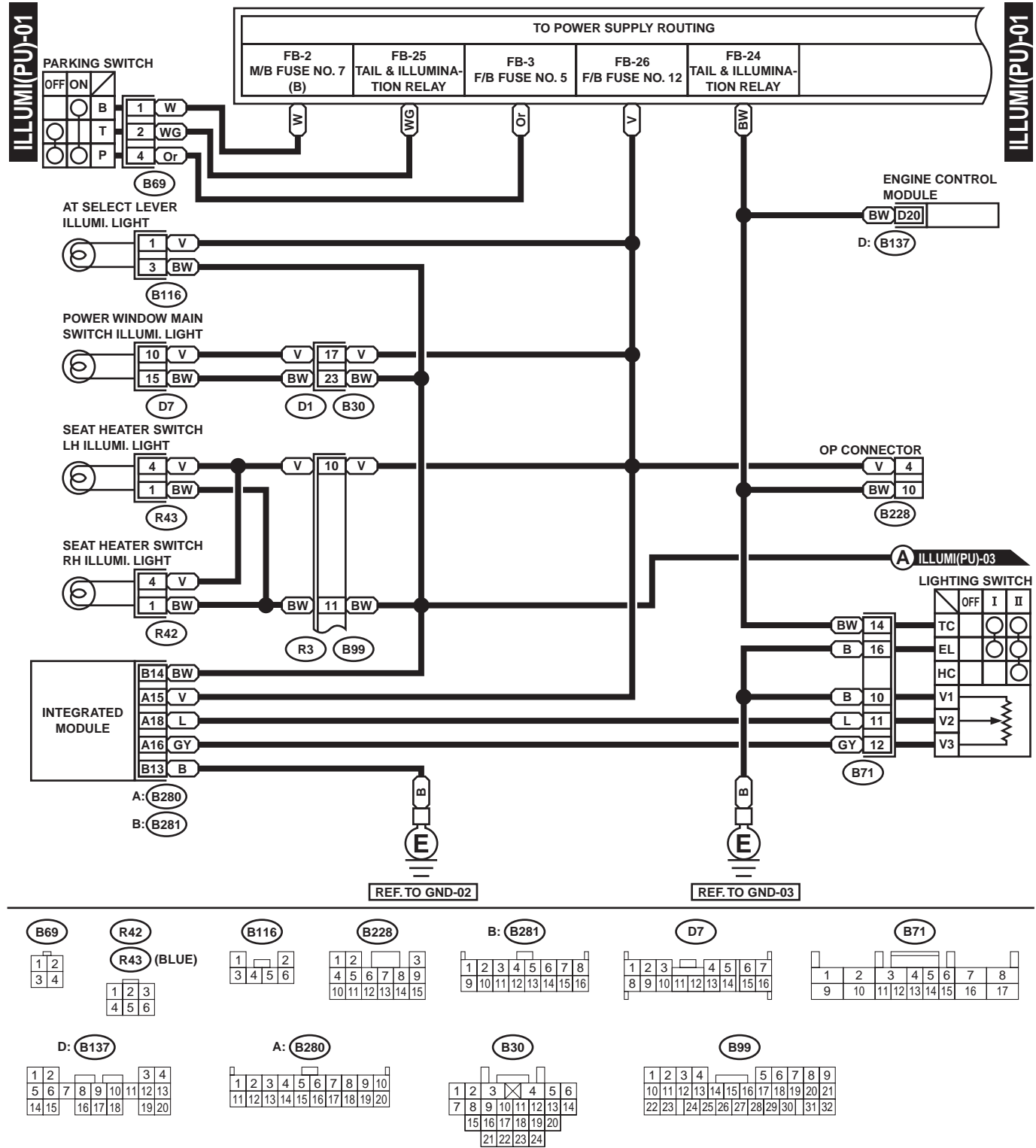


WI-00643

CLEARANCE LIGHT AND ILLUMINATION LIGHT SYSTEM

WIRING SYSTEM

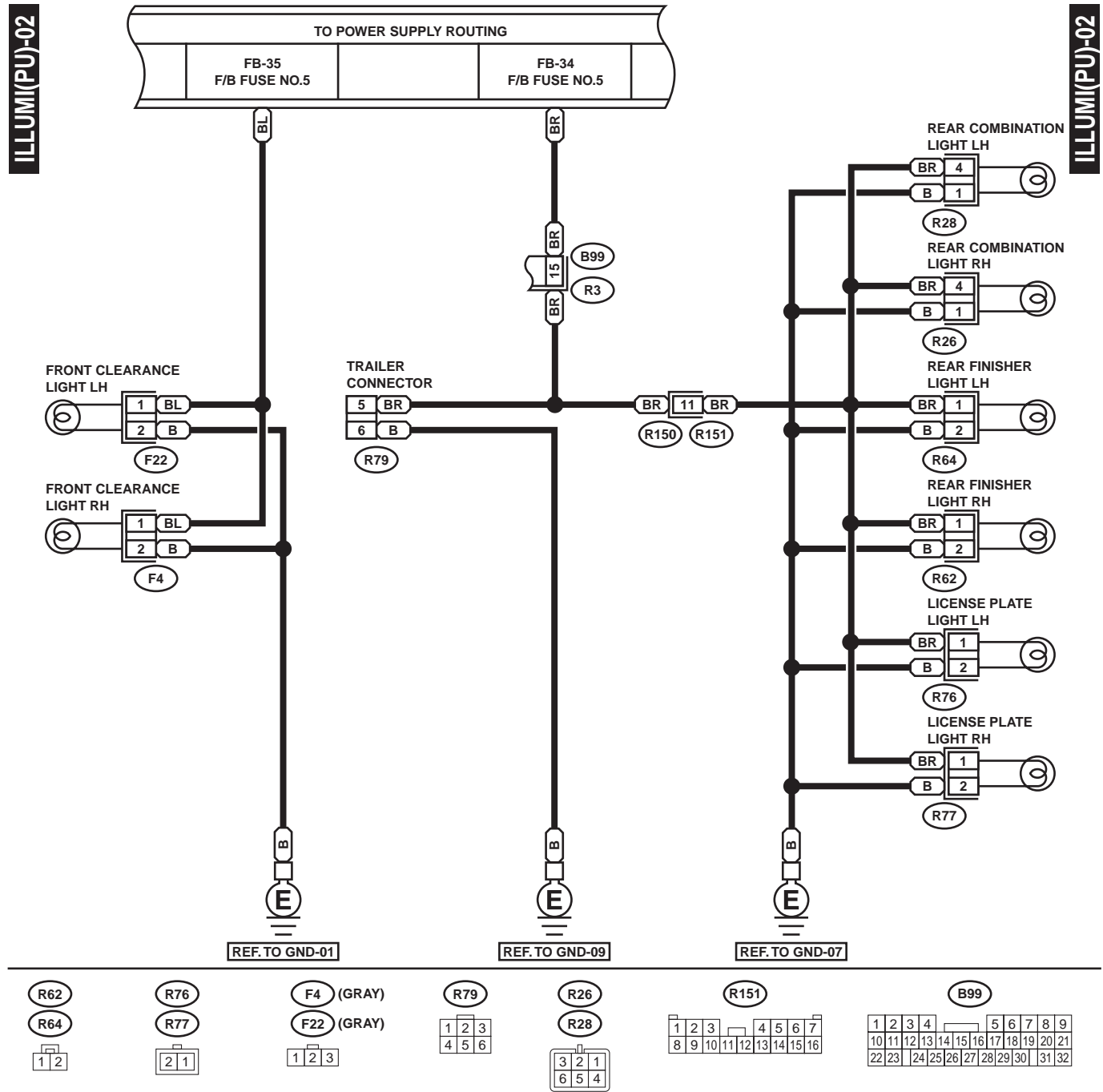
2. PICK-UP MODEL



WI-00644

CLEARANCE LIGHT AND ILLUMINATION LIGHT SYSTEM

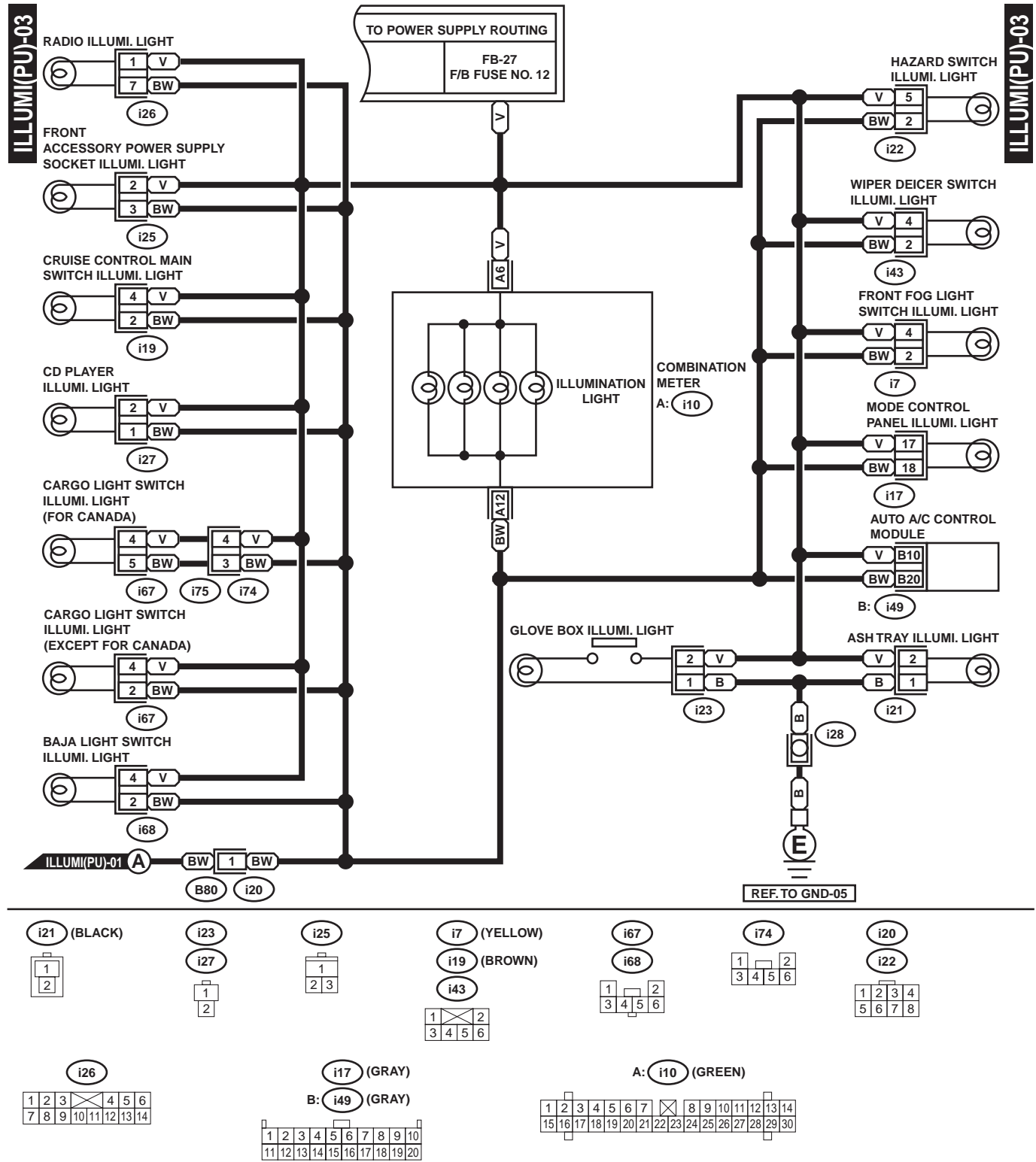
WIRING SYSTEM



WI-00645

CLEARANCE LIGHT AND ILLUMINATION LIGHT SYSTEM

WIRING SYSTEM



WI-00646

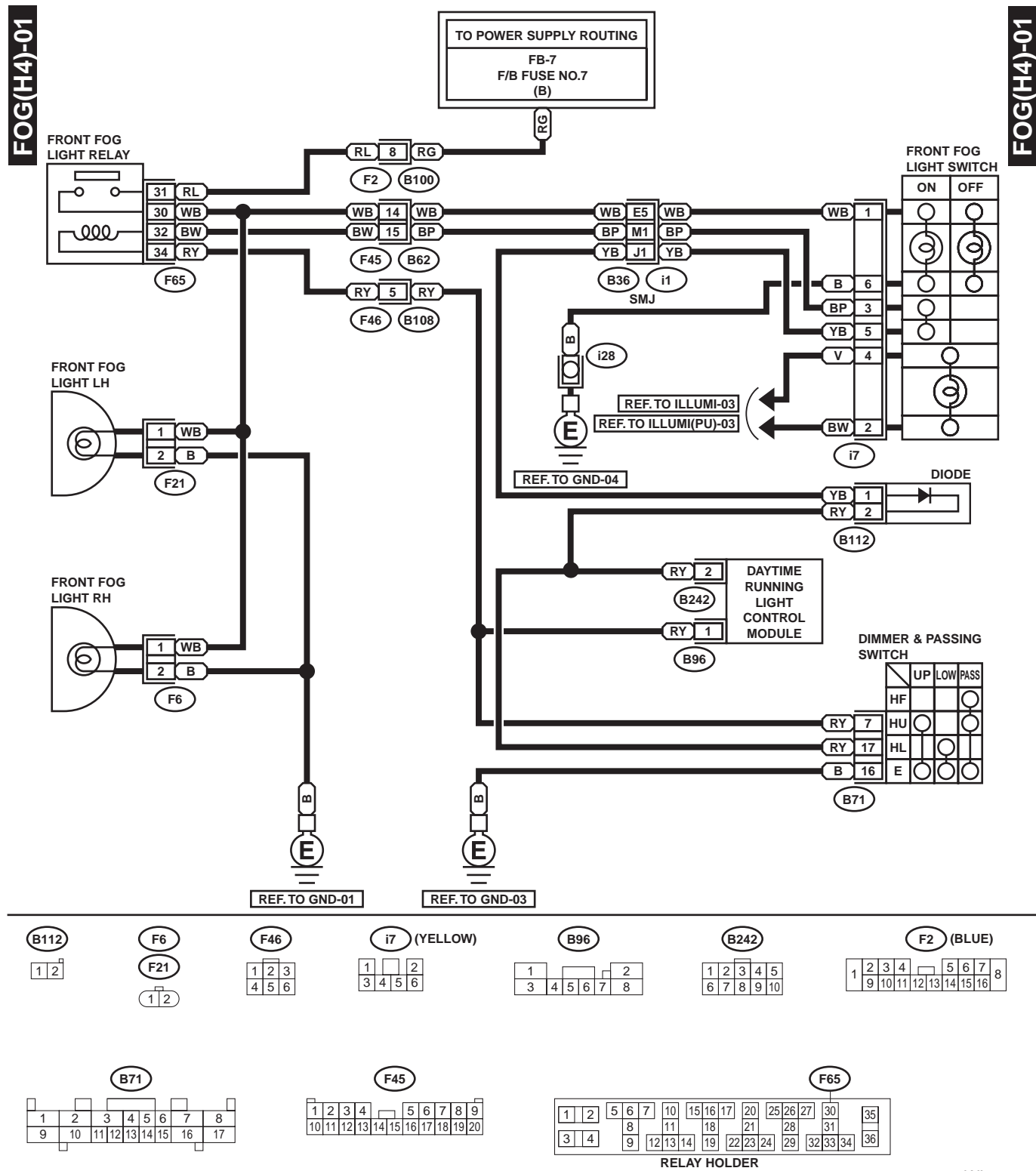
FRONT FOG LIGHT SYSTEM

WIRING SYSTEM

27. Front Fog Light System

A: SCHEMATIC

1. 4-CYLINDER ENGINE MODEL

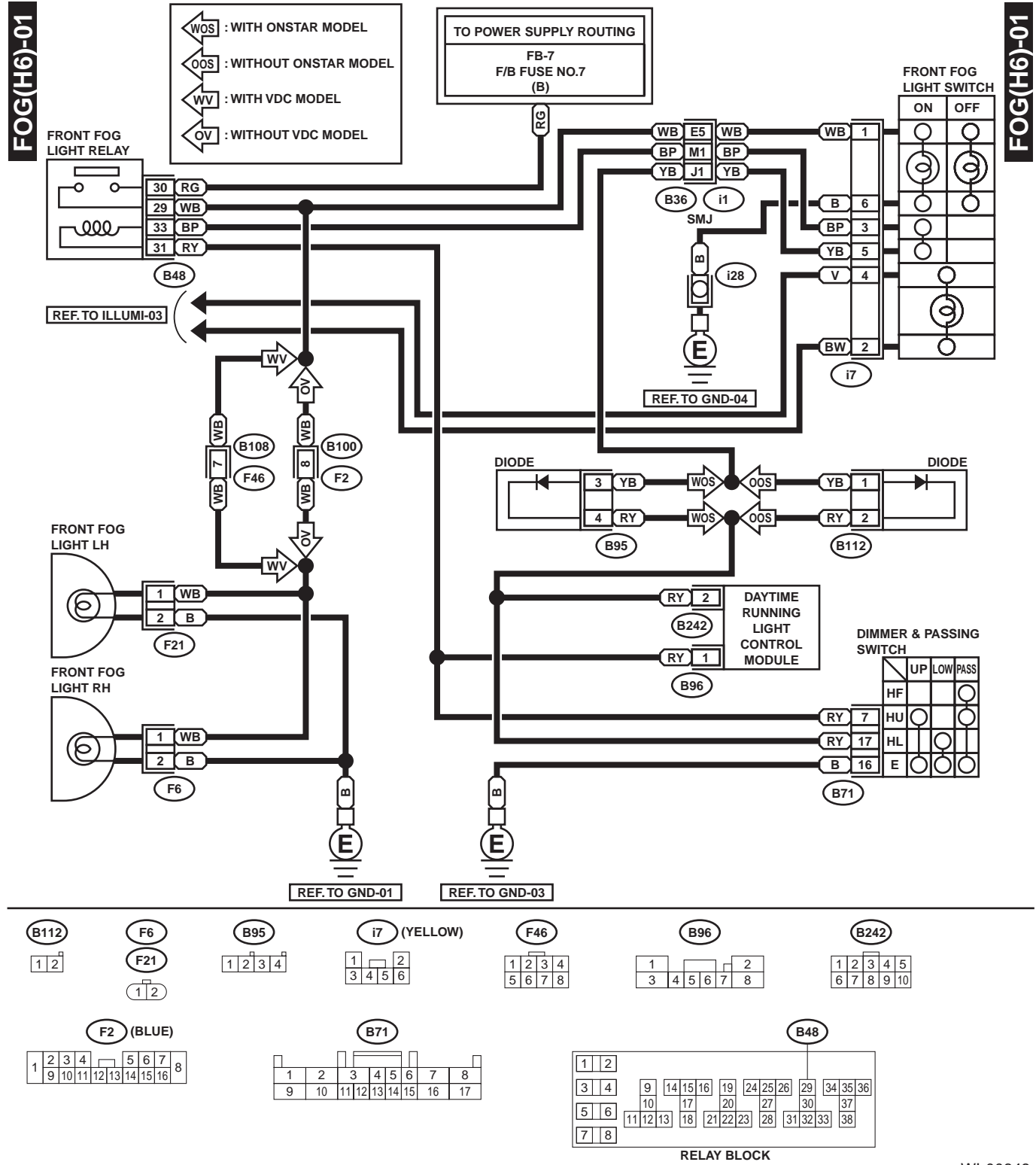


WI-00647

FRONT FOG LIGHT SYSTEM

WIRING SYSTEM

2. 6-CYLINDER ENGINE MODEL



WI-00648

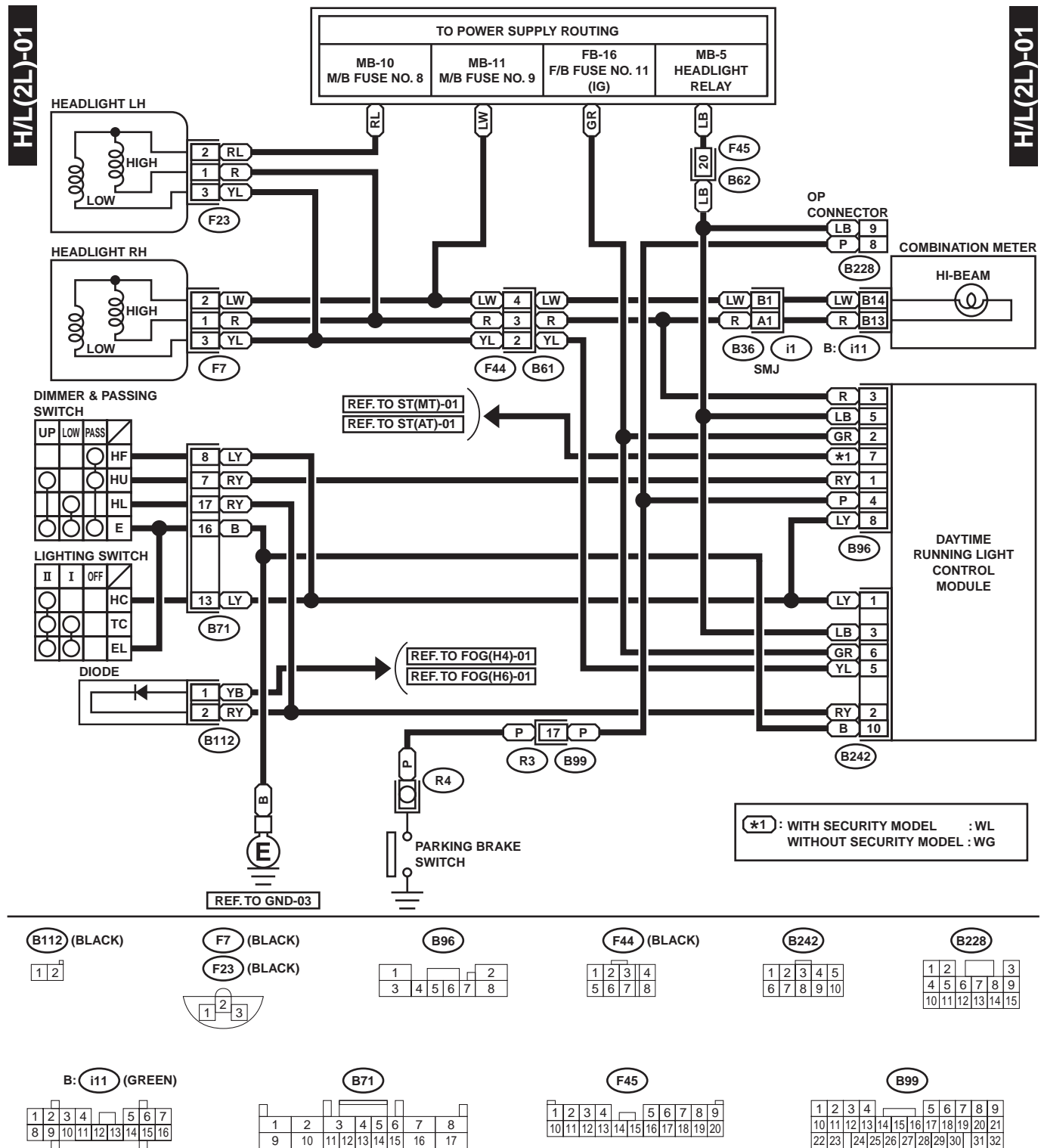
HEADLIGHT SYSTEM

WIRING SYSTEM

28. Headlight System

A: SCHEMATIC

1. 2-LIGHT MODEL

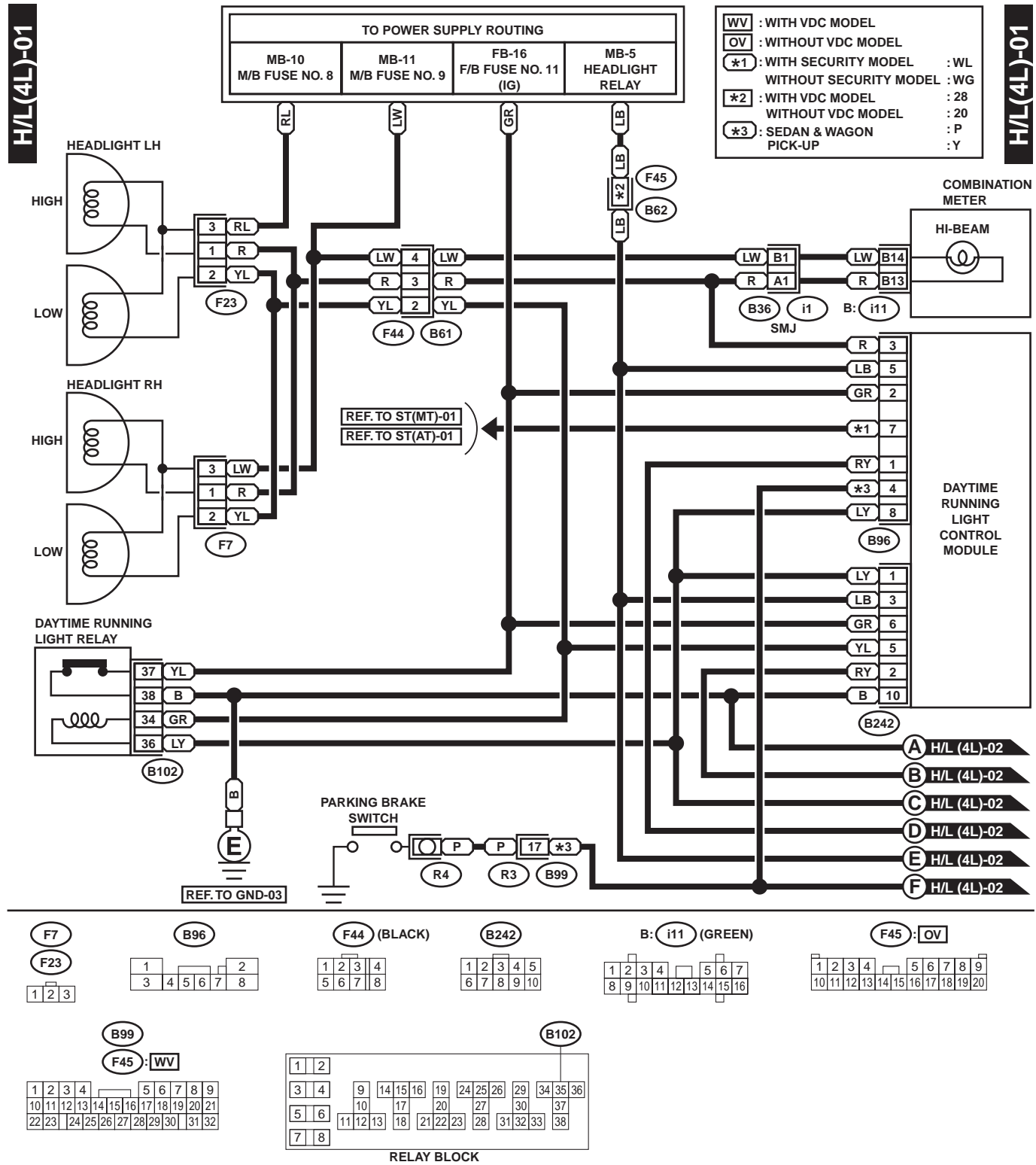


WI-01063

HEADLIGHT SYSTEM

WIRING SYSTEM

2. 4-LIGHT MODEL



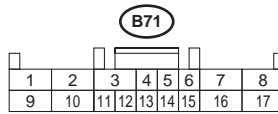
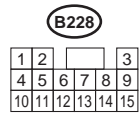
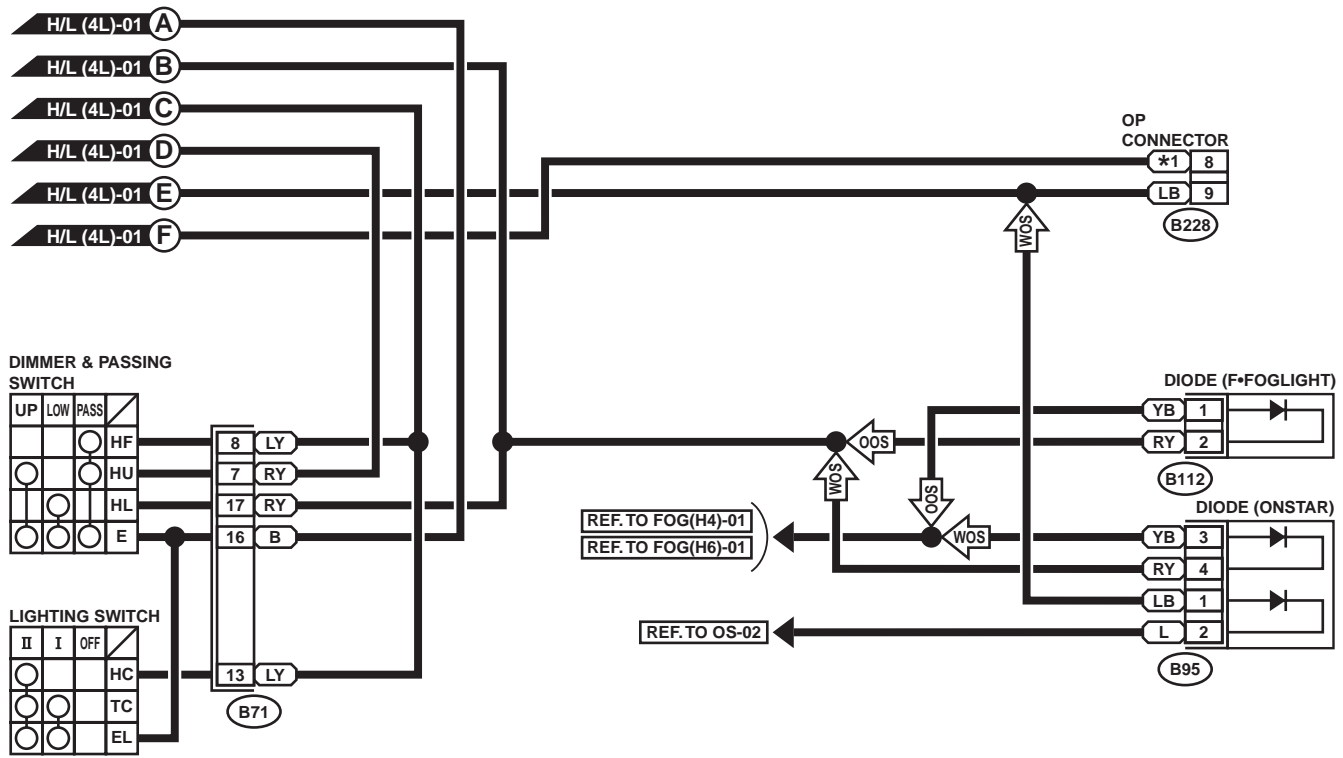
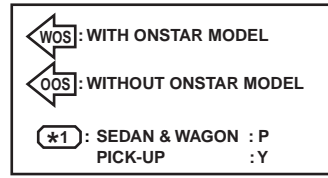
WI-01064

HEADLIGHT SYSTEM

WIRING SYSTEM

H/L(4L)-02

H/L(4L)-02



WI-00651

HEADLIGHT SYSTEM

WIRING SYSTEM

MEMO:

WI-157

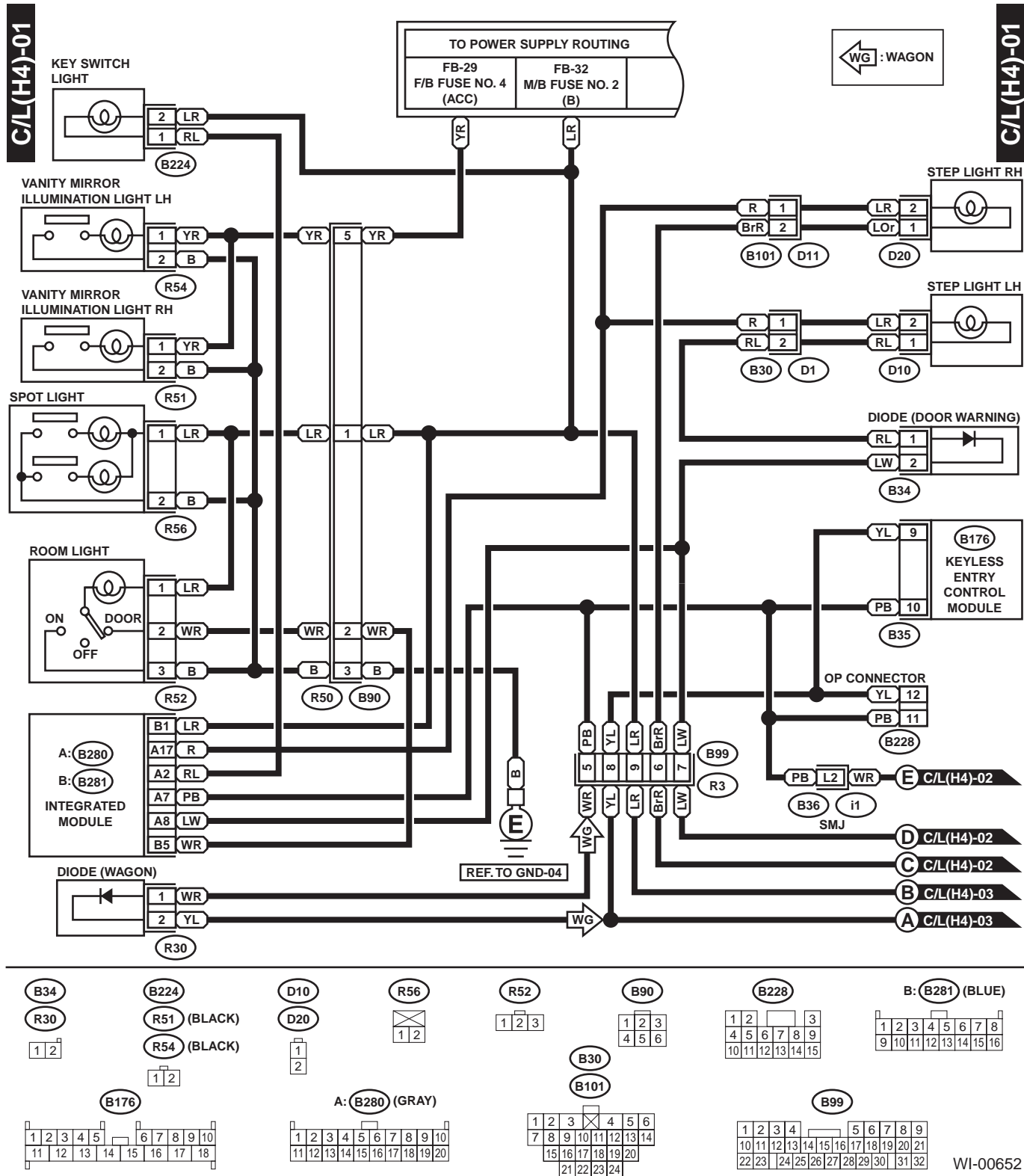
IN COMPARTMENT LIGHT SYSTEM

WIRING SYSTEM

29. In Compartment Light System

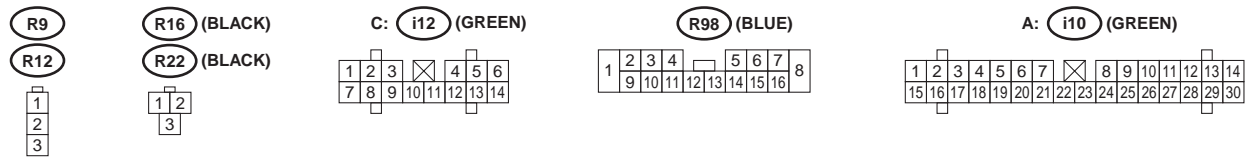
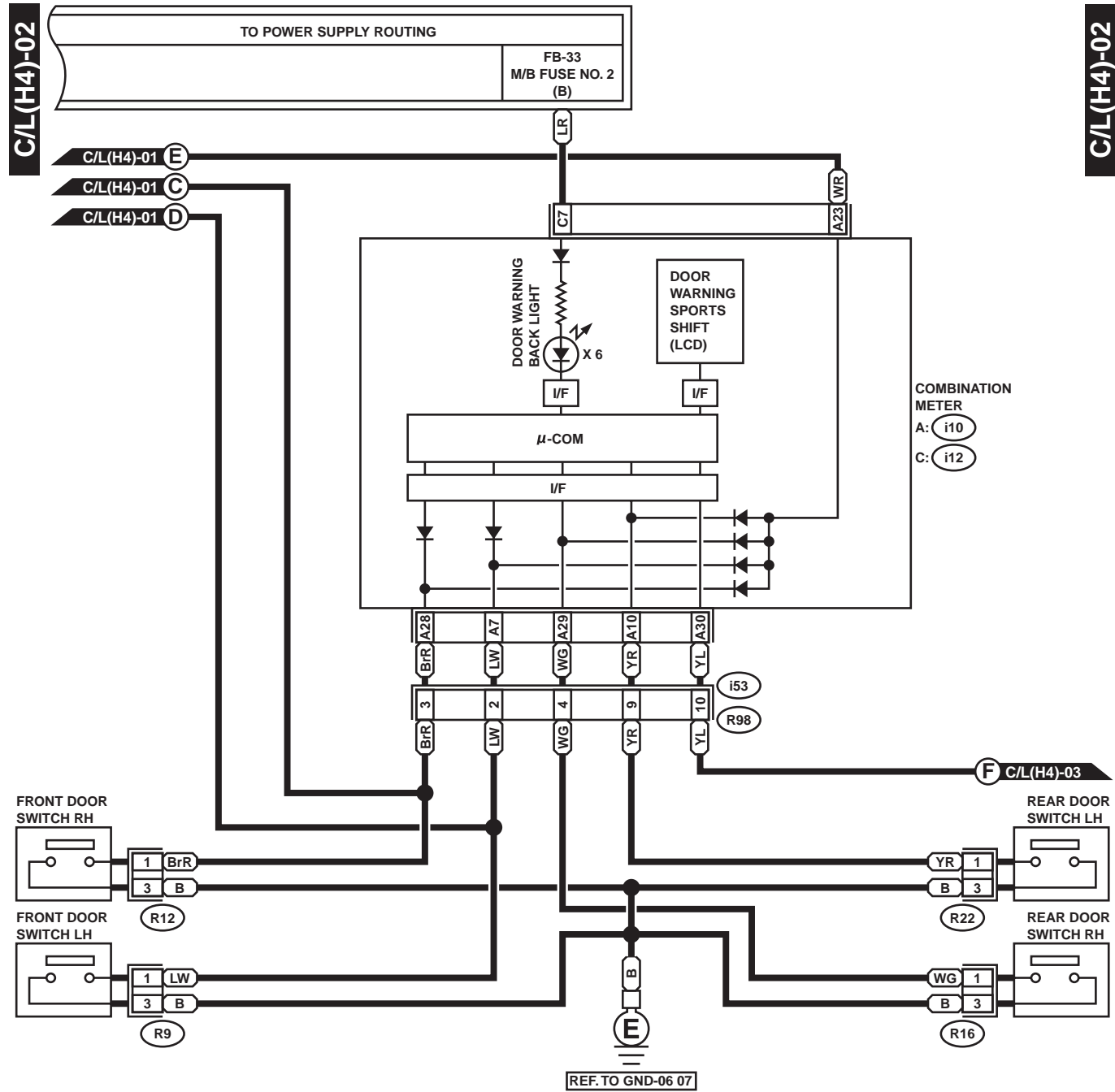
A: SCHEMATIC

1. SEDAN & WAGON MODEL



IN COMPARTMENT LIGHT SYSTEM

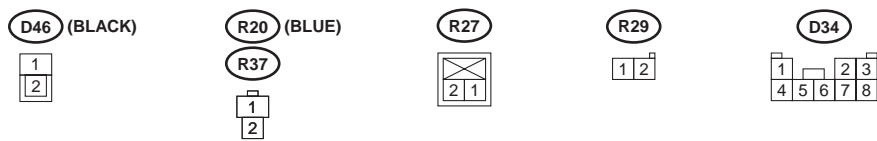
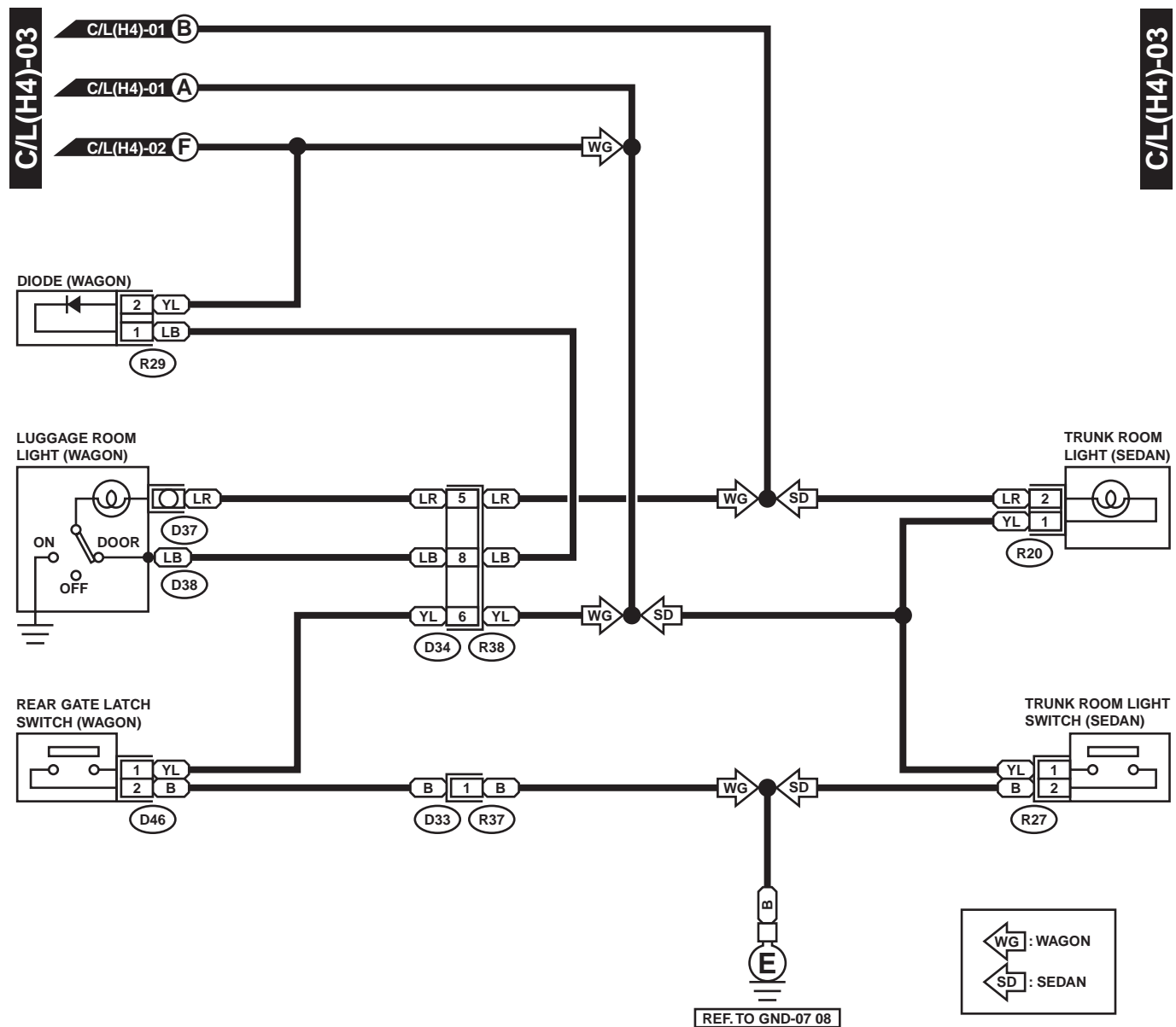
WIRING SYSTEM



WI-00653

IN COMPARTMENT LIGHT SYSTEM

WIRING SYSTEM

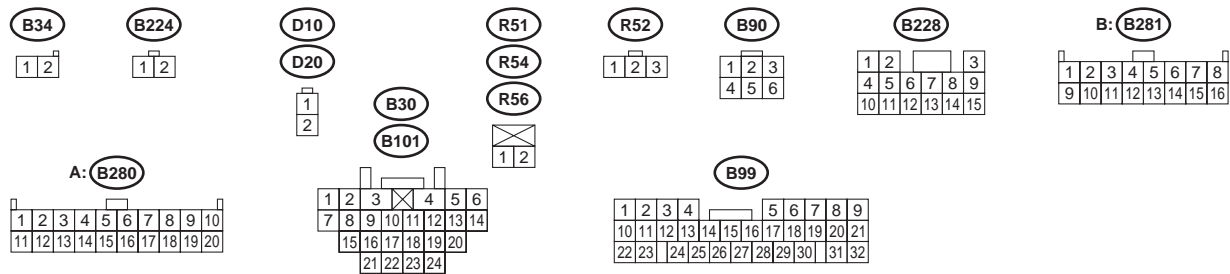
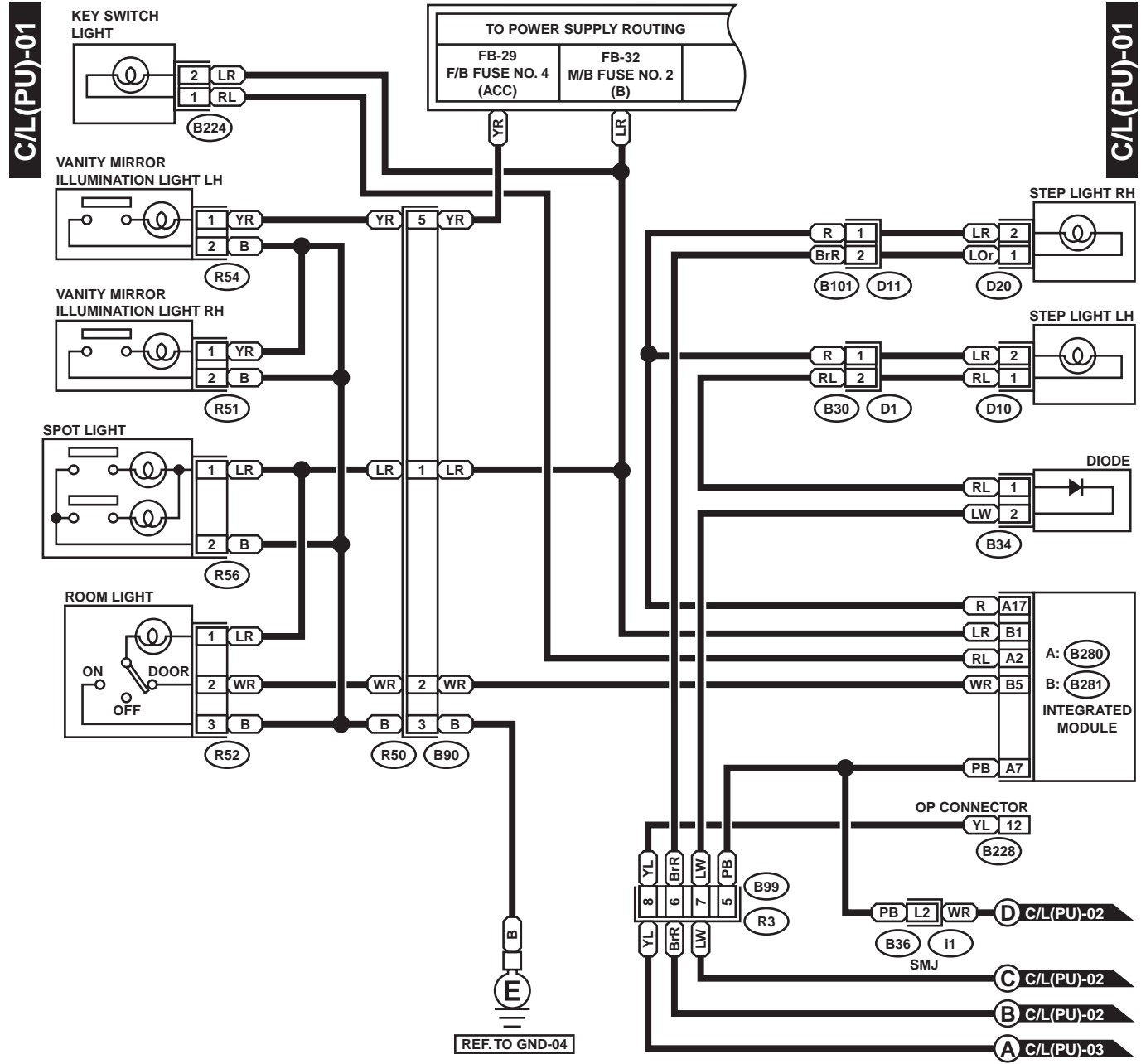


WI-00654

IN COMPARTMENT LIGHT SYSTEM

WIRING SYSTEM

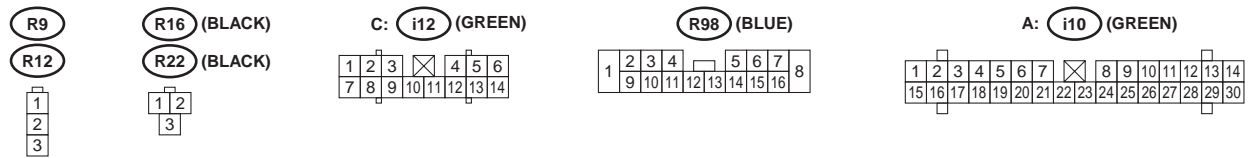
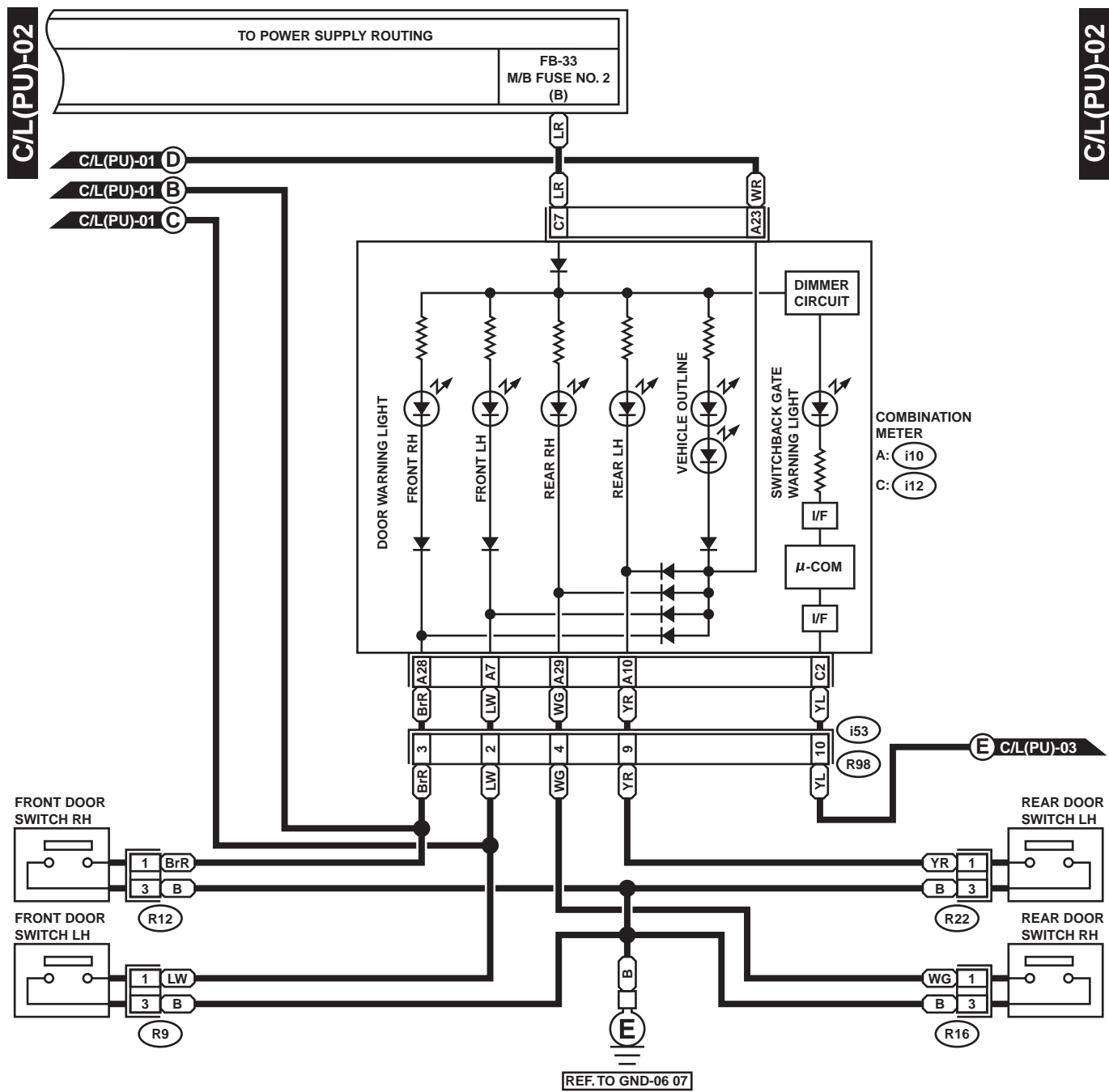
2. PICK-UP MODEL



WI-00655

IN COMPARTMENT LIGHT SYSTEM

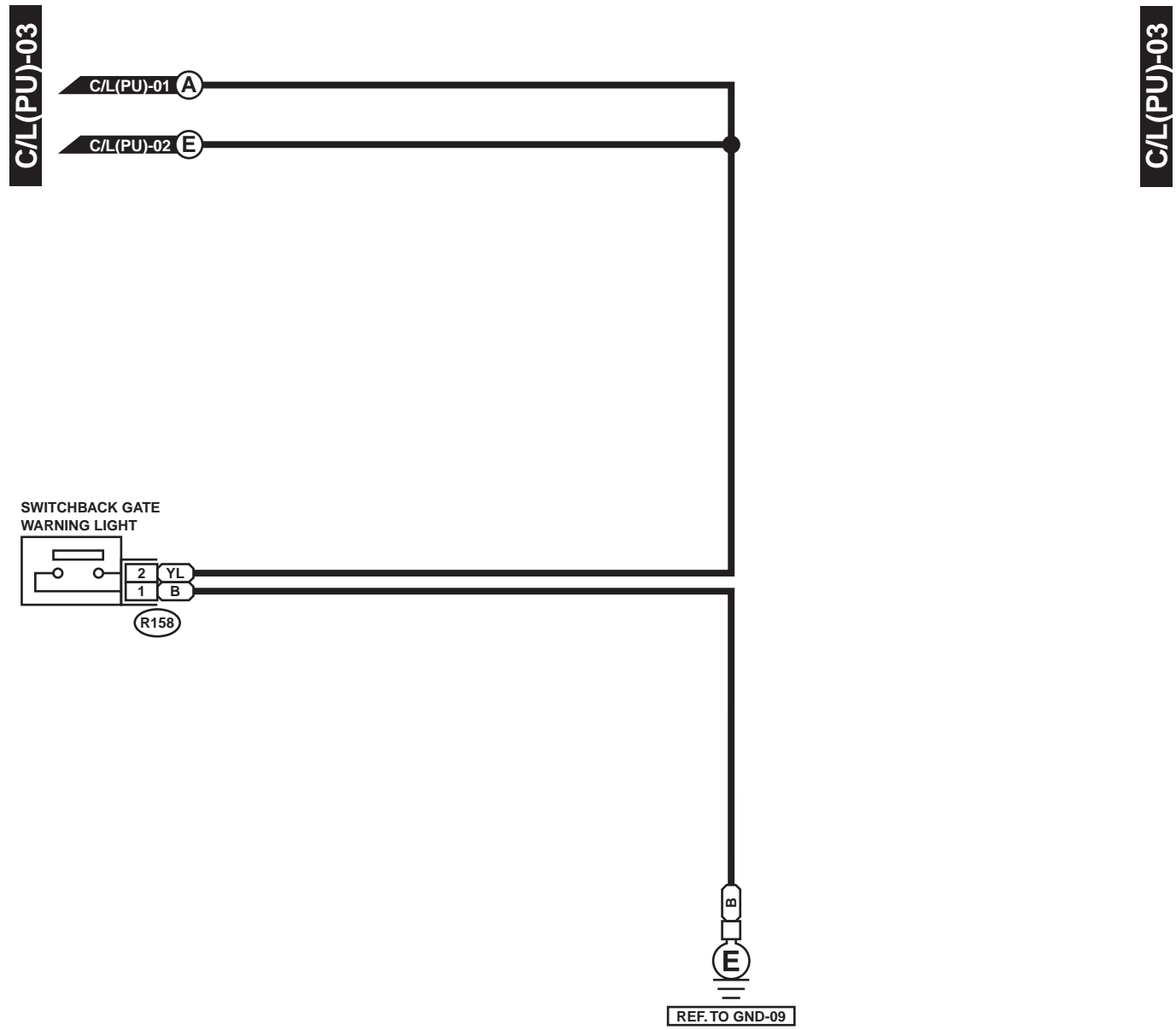
WIRING SYSTEM



WI-00656

IN COMPARTMENT LIGHT SYSTEM

WIRING SYSTEM



R158

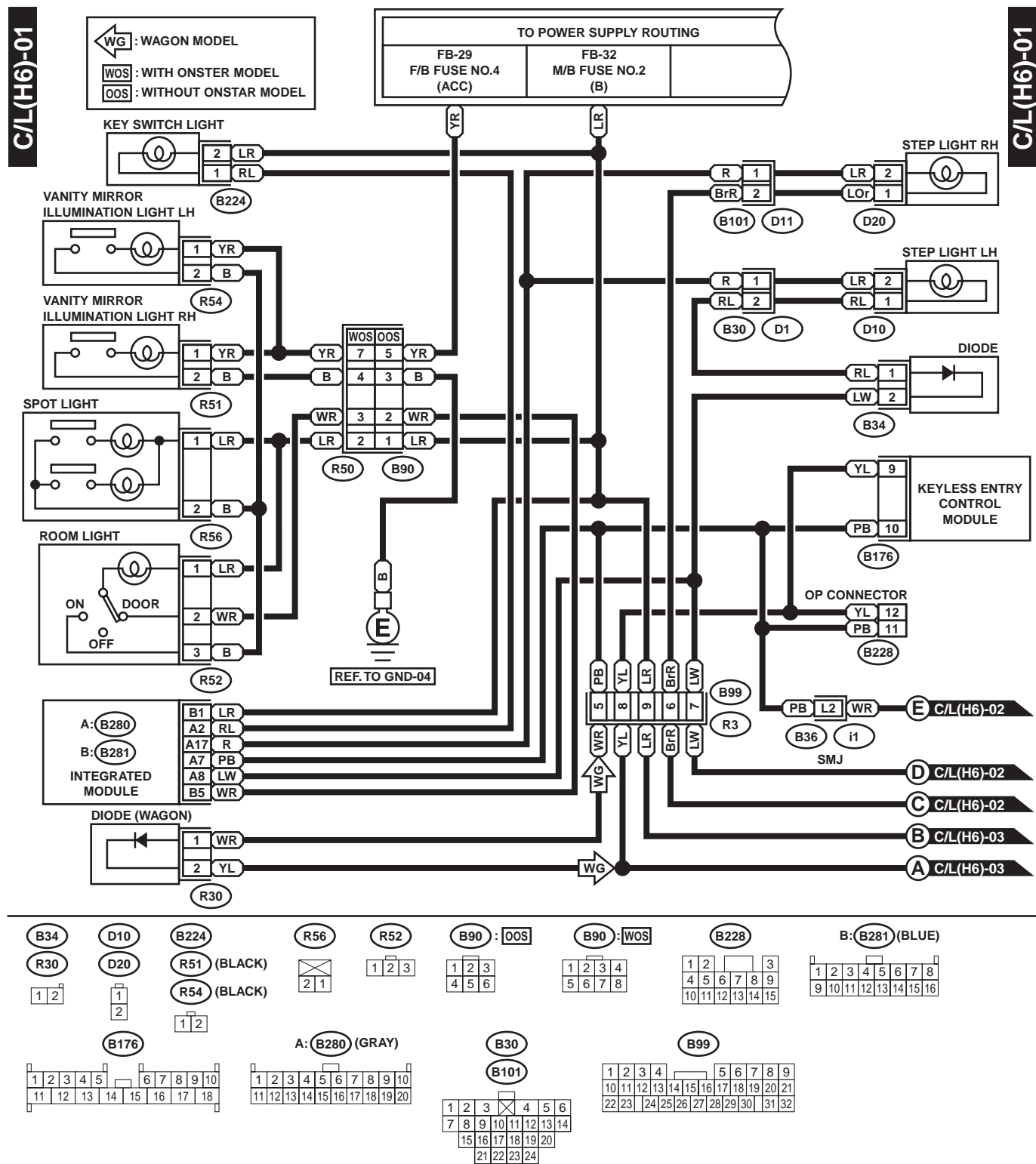


WI-00657

IN COMPARTMENT LIGHT SYSTEM

WIRING SYSTEM

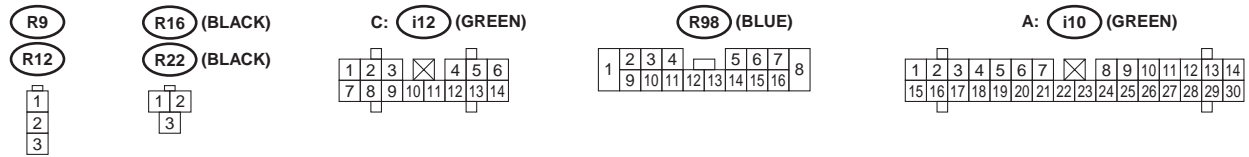
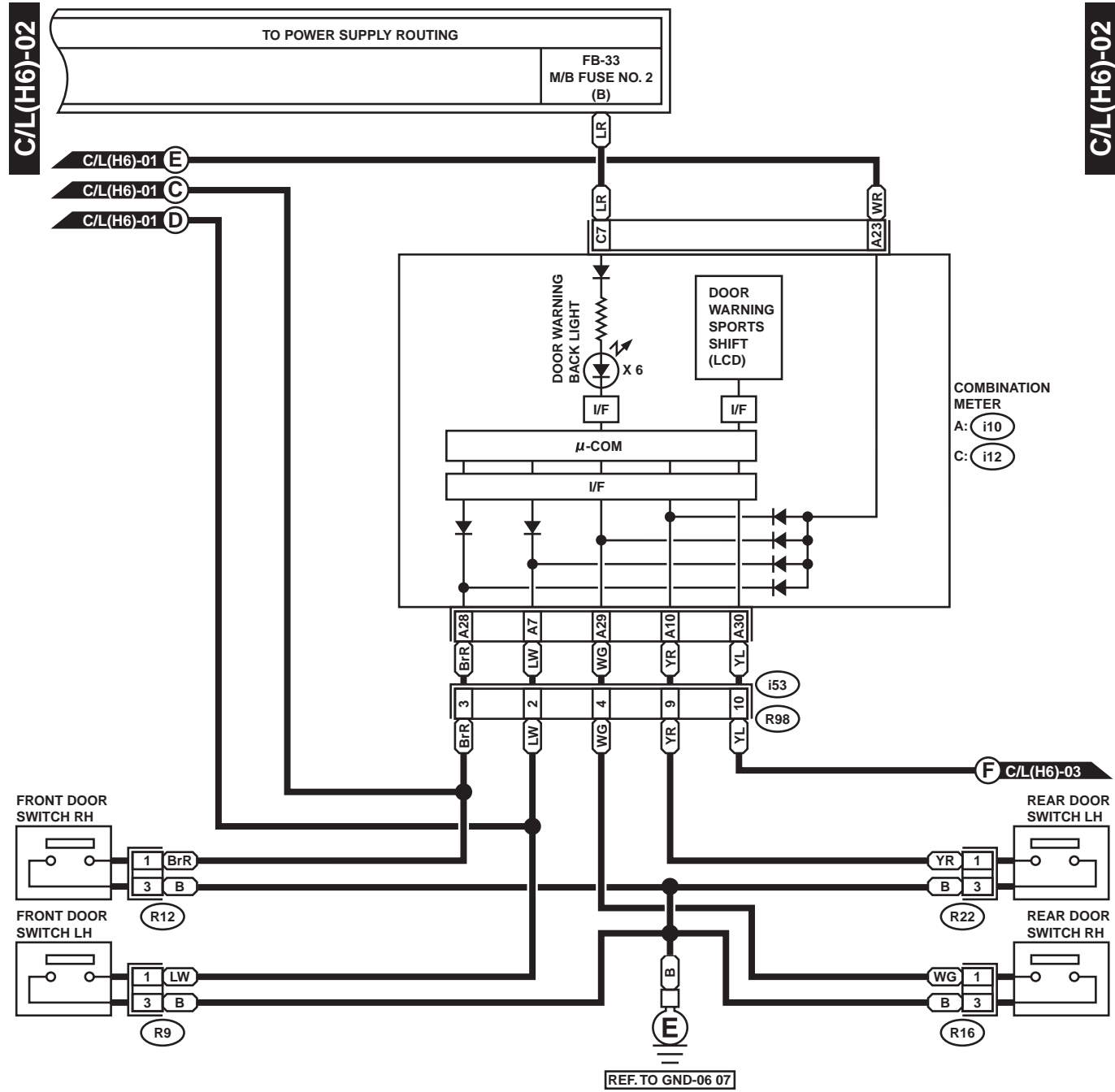
3. 6-CYLINDER ENGINE MODEL



WI-00658

IN COMPARTMENT LIGHT SYSTEM

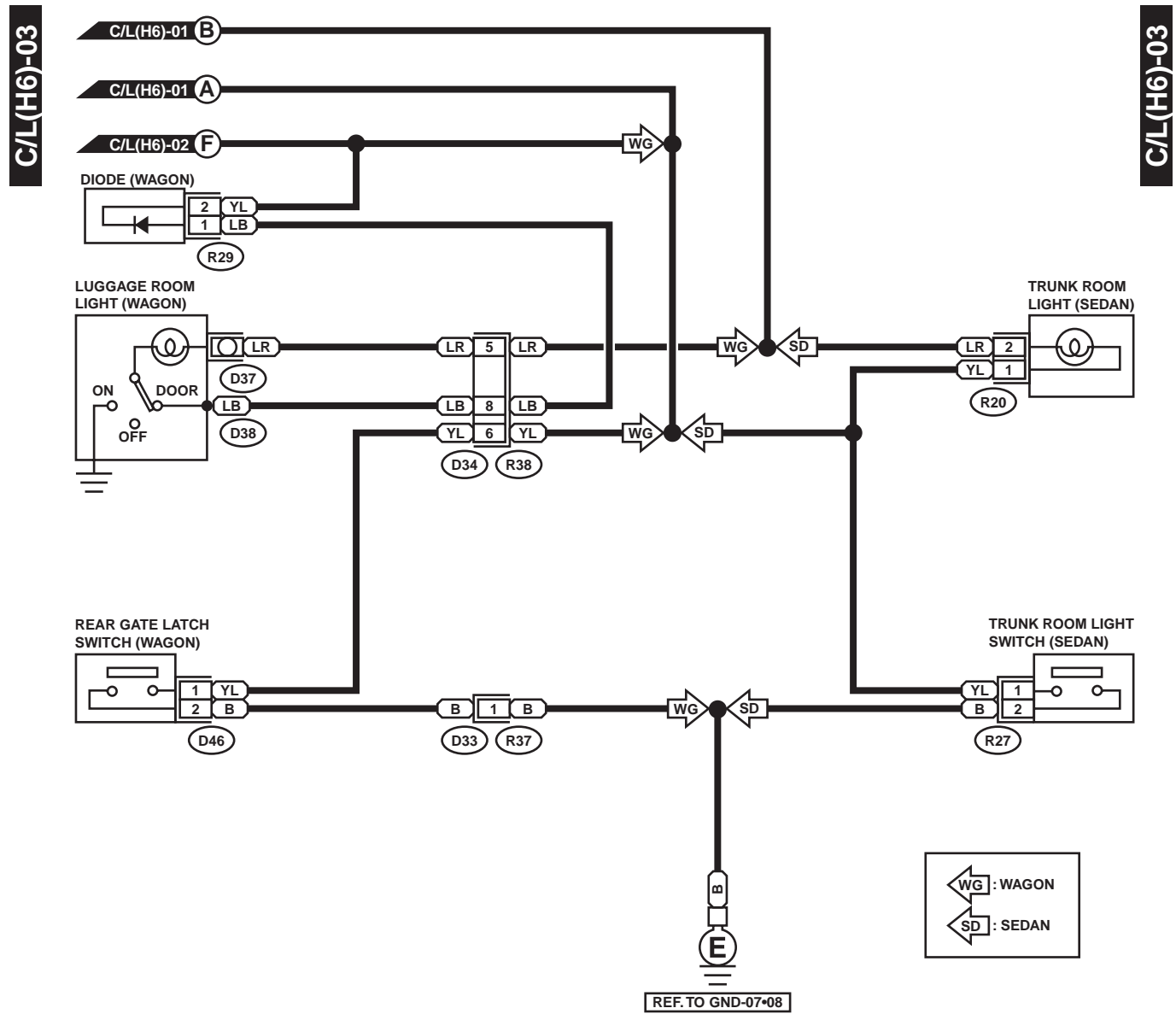
WIRING SYSTEM



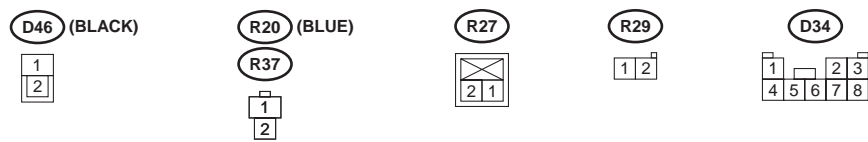
WI-00659

IN COMPARTMENT LIGHT SYSTEM

WIRING SYSTEM



REF. TO GND-07*08



WI-00660

IN COMPARTMENT LIGHT SYSTEM

WIRING SYSTEM

MEMO:

WI-167

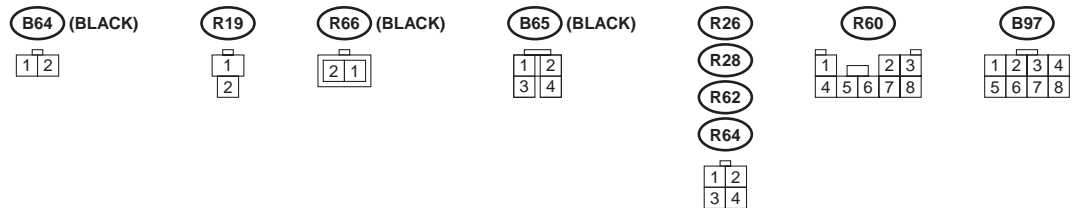
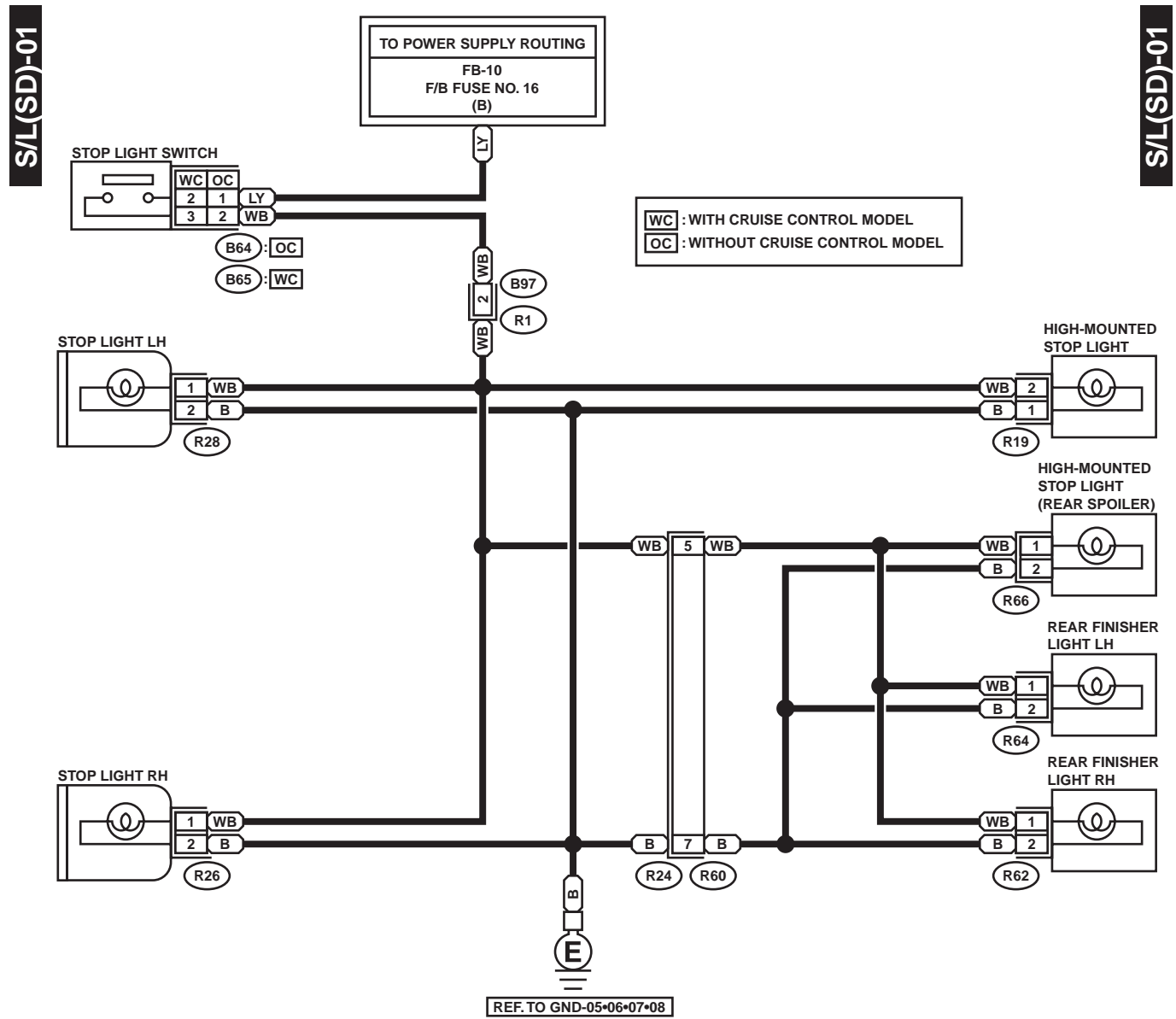
STOP LIGHT SYSTEM

WIRING SYSTEM

30.Stop Light System

A: SCHEMATIC

1. SEDAN MODEL

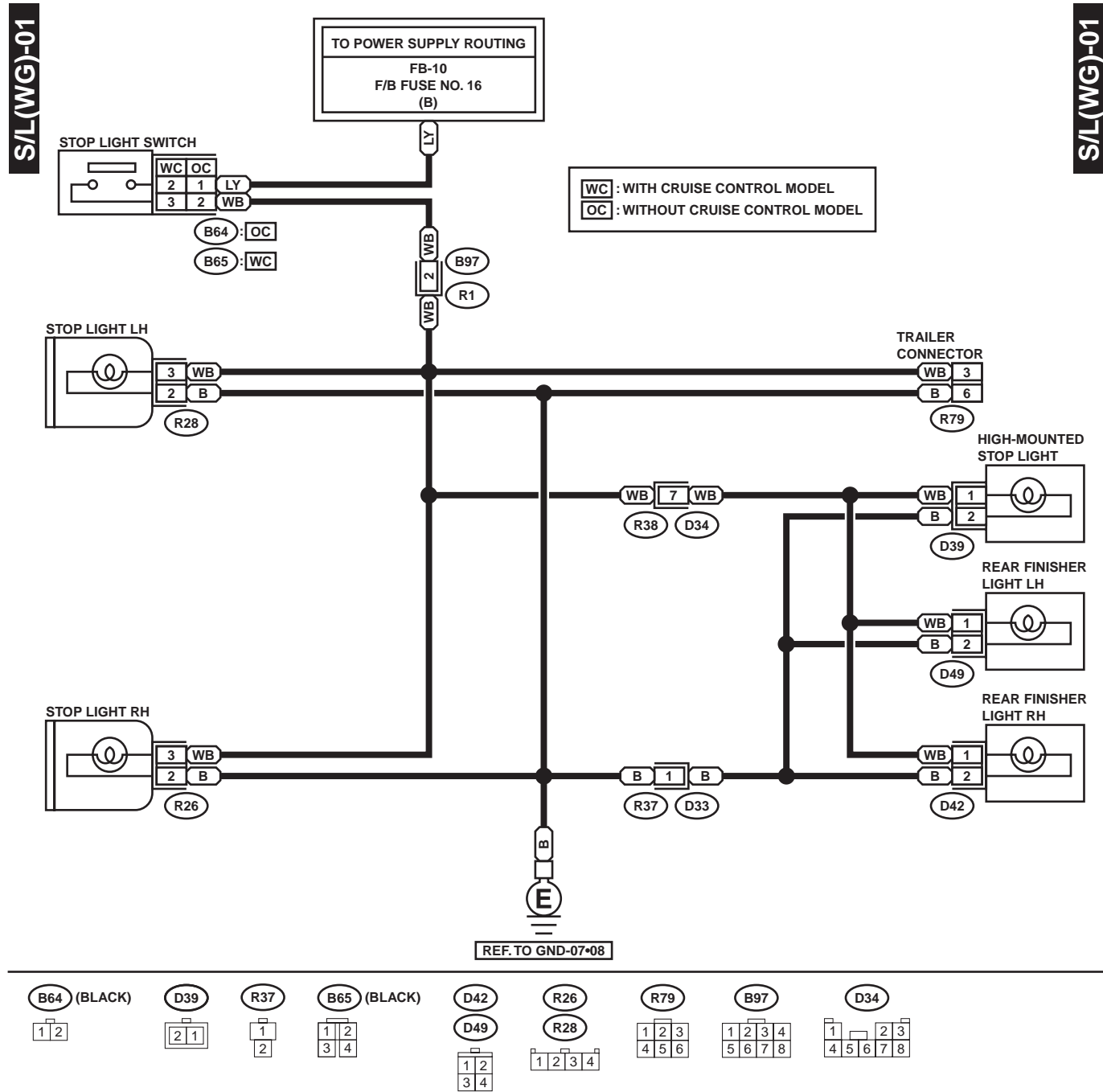


WI-00661

STOP LIGHT SYSTEM

WIRING SYSTEM

2. WAGON MODEL

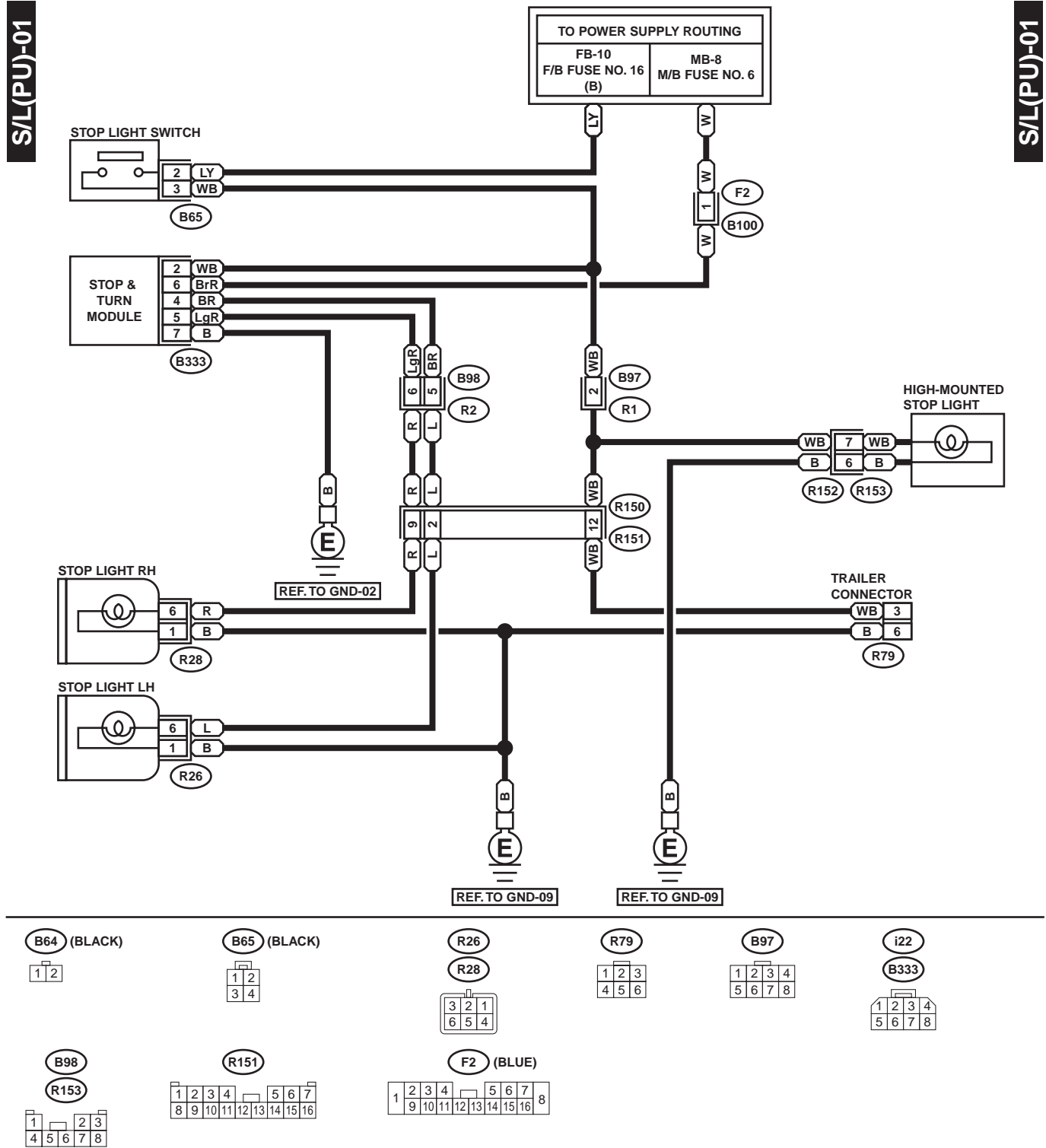


WI-00662

STOP LIGHT SYSTEM

WIRING SYSTEM

3. PICK-UP MODEL



WI-00663

STOP LIGHT SYSTEM

WIRING SYSTEM

MEMO:

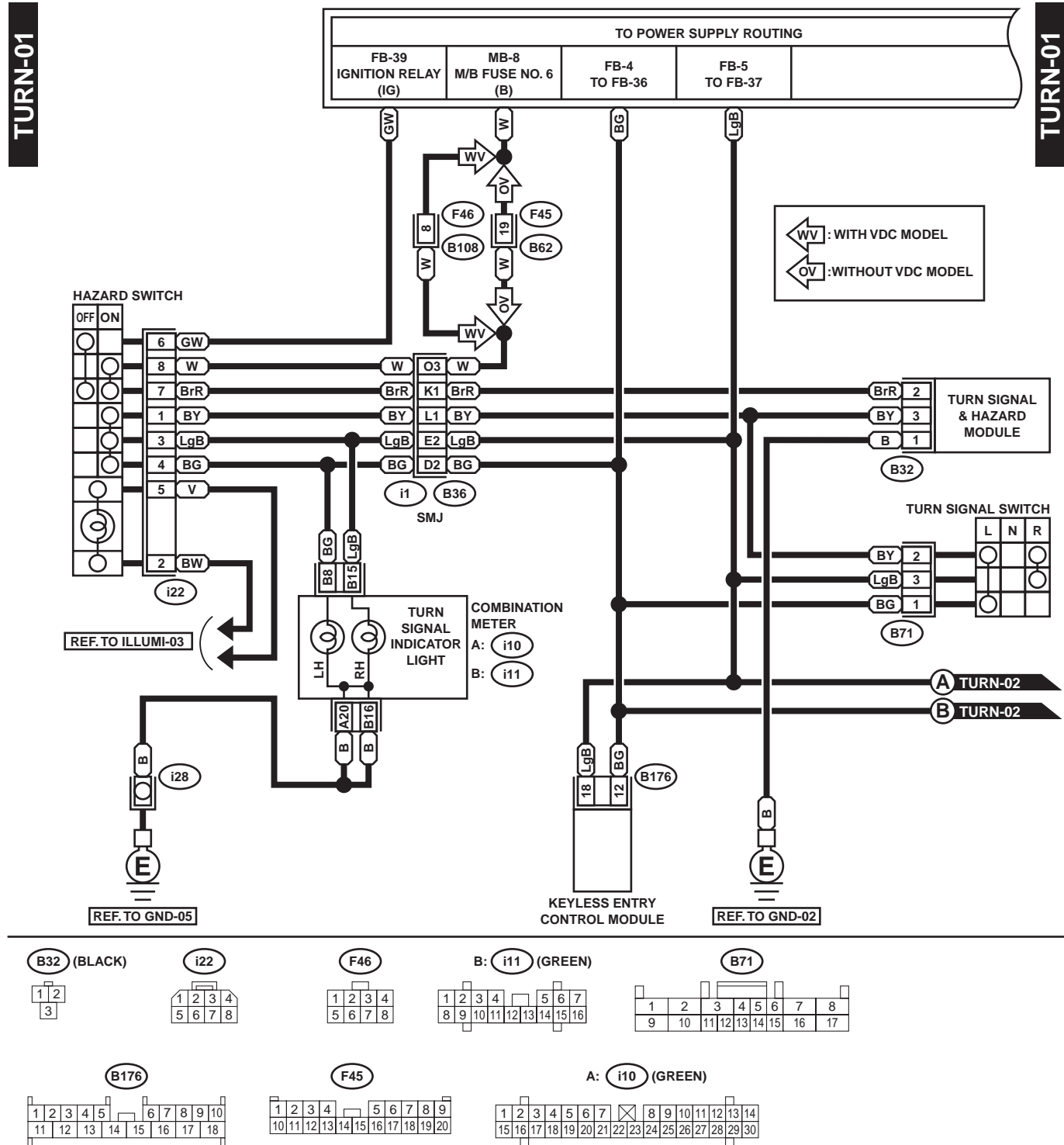
TURN SIGNAL LIGHT AND HAZARD LIGHT SYSTEM

WIRING SYSTEM

31. Turn Signal Light and Hazard Light System

A: SCHEMATIC

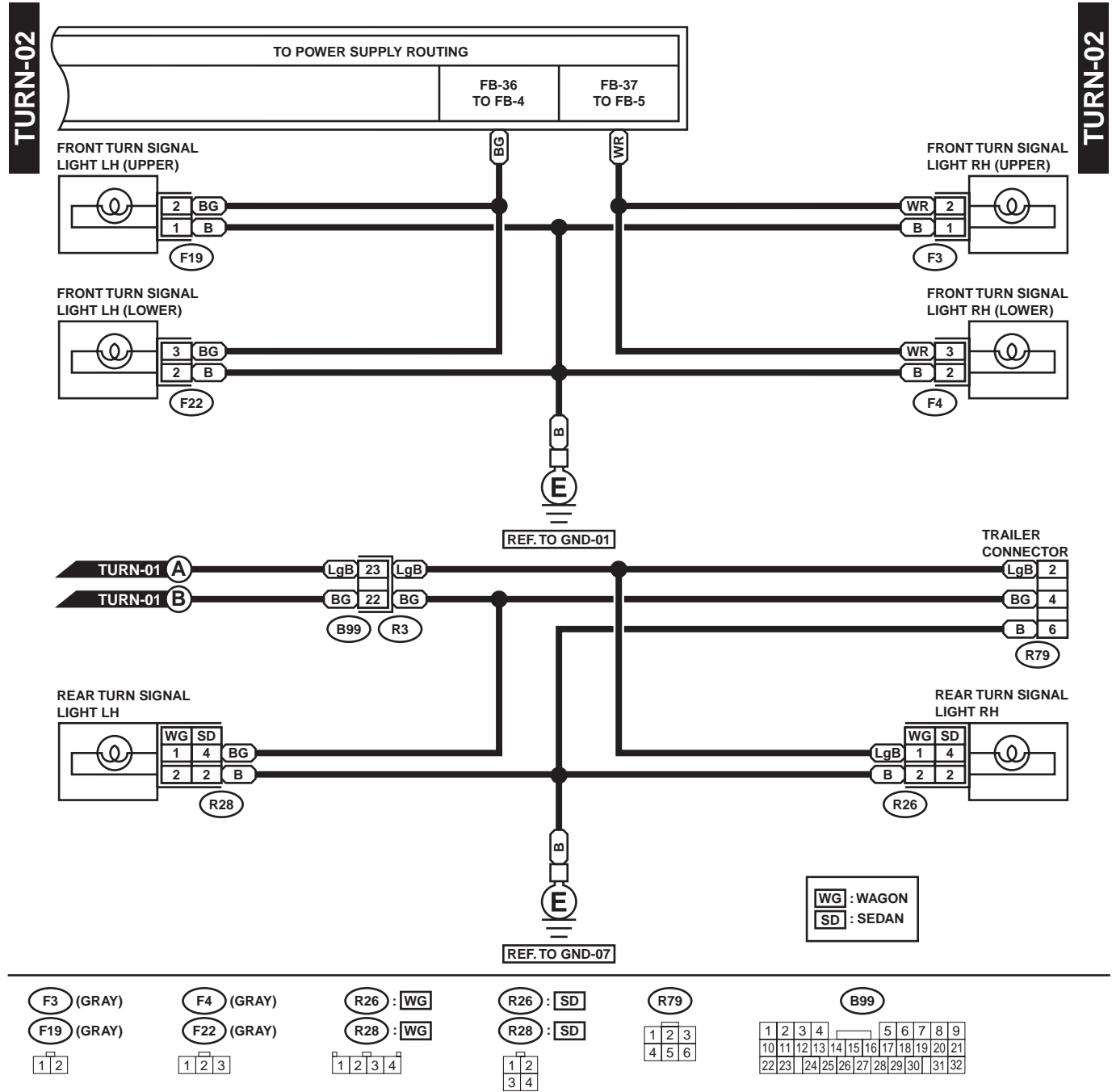
1. SEDAN & WAGON MODEL



WI-00664

TURN SIGNAL LIGHT AND HAZARD LIGHT SYSTEM

WIRING SYSTEM

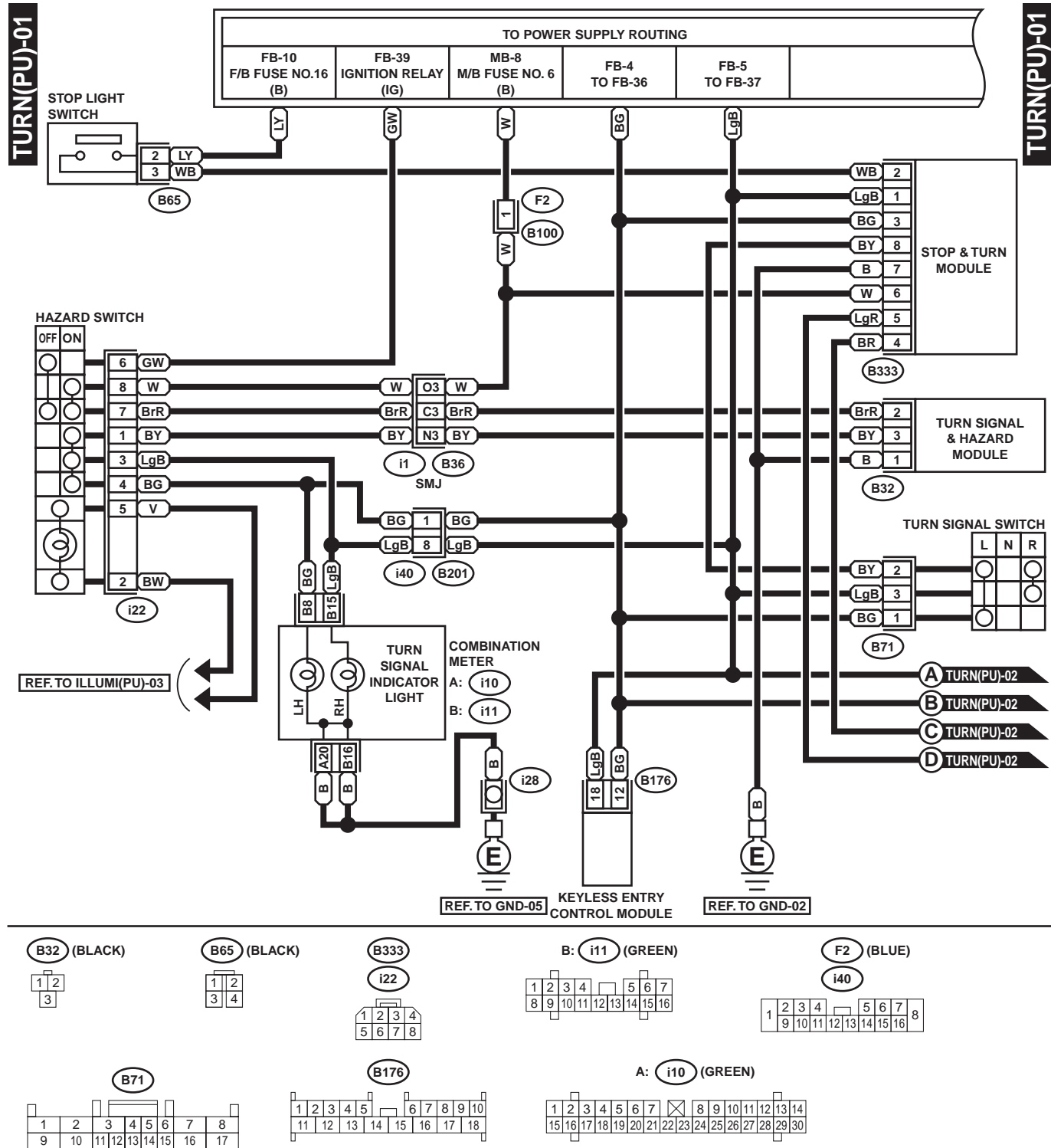


WI-00665

TURN SIGNAL LIGHT AND HAZARD LIGHT SYSTEM

WIRING SYSTEM

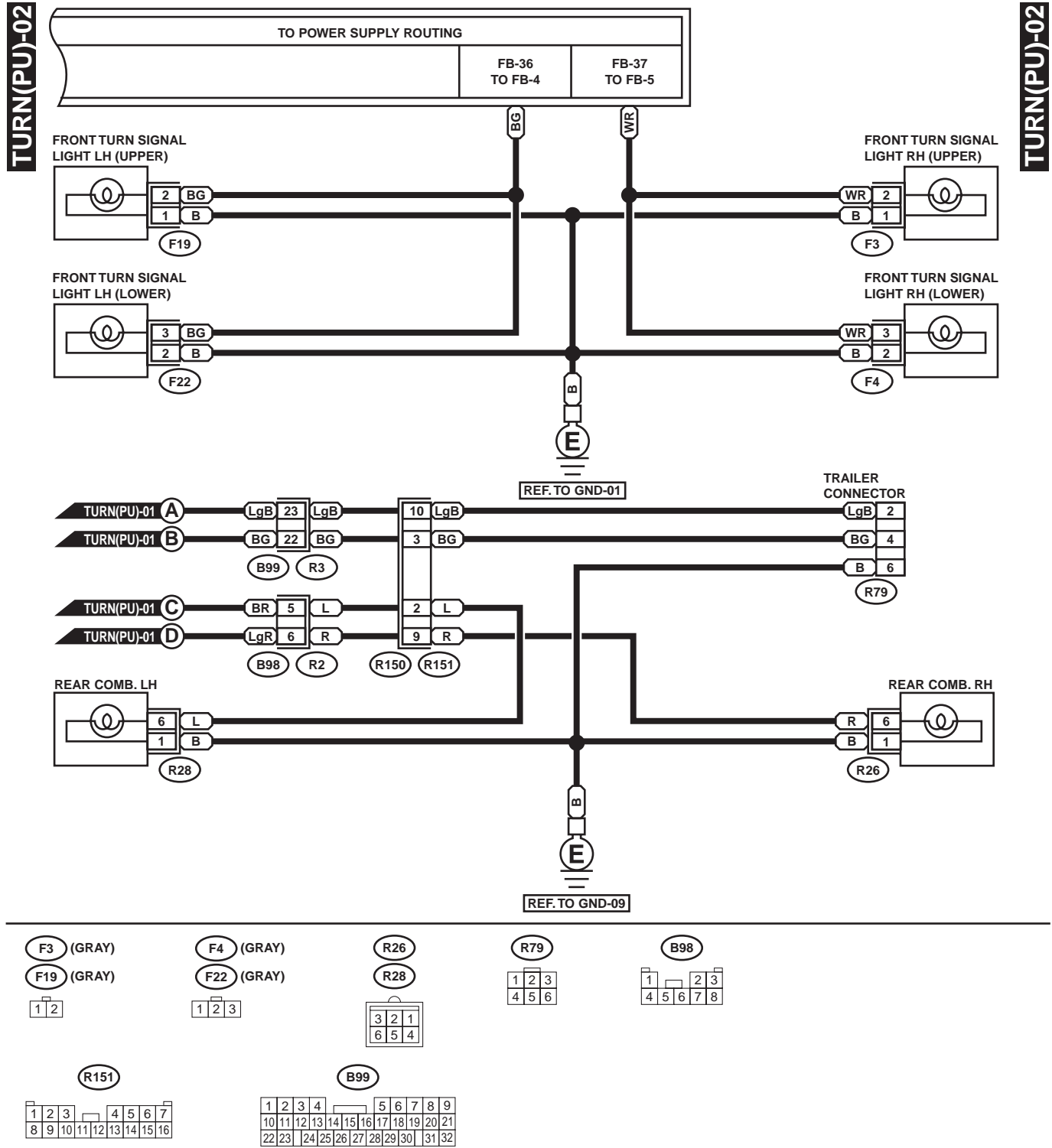
2. PICK-UP MODEL



WI-00666

TURN SIGNAL LIGHT AND HAZARD LIGHT SYSTEM

WIRING SYSTEM



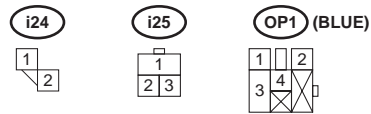
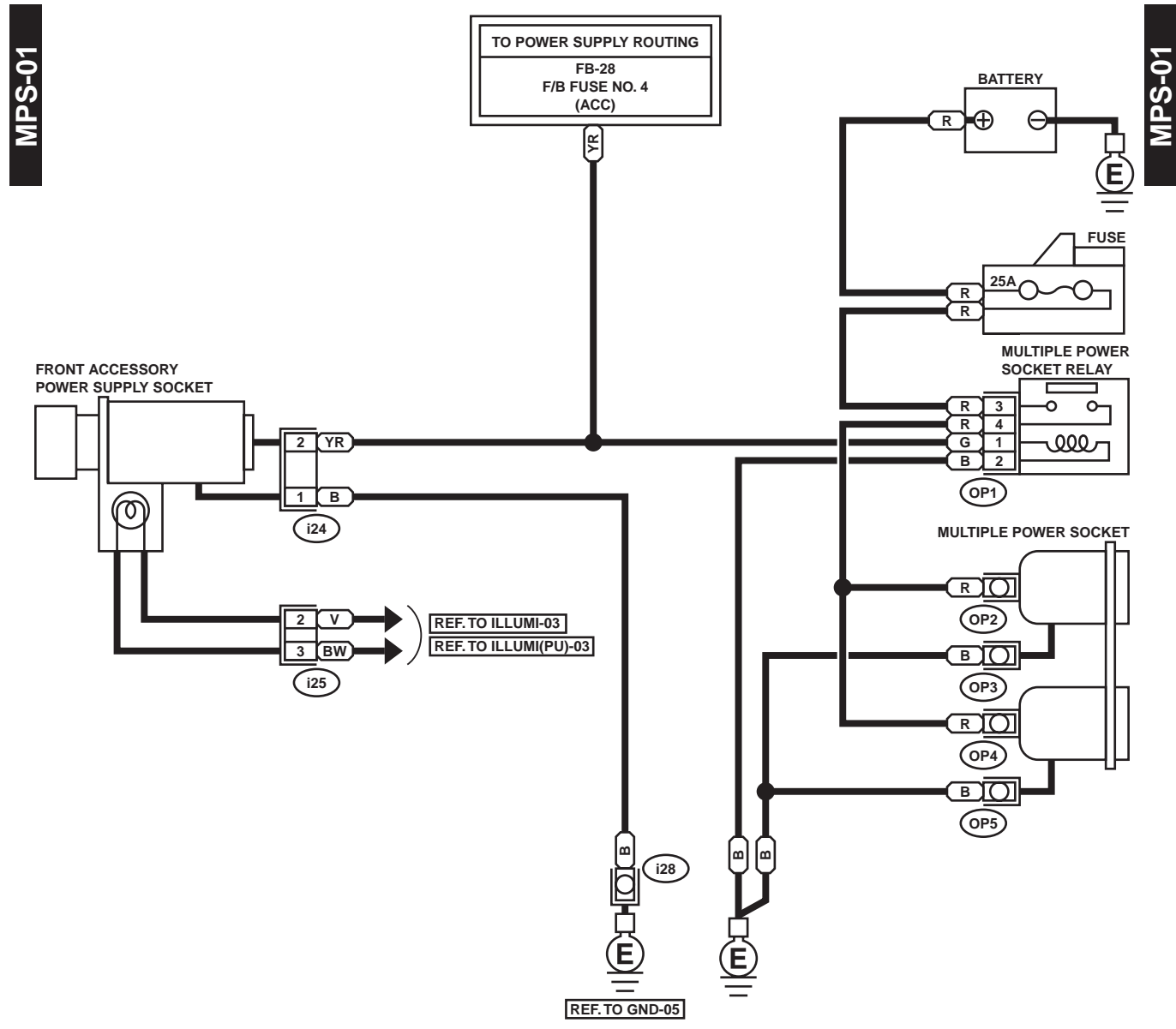
WI-00667

MULTIPLE POWER SOCKET SYSTEM (OPTION)

WIRING SYSTEM

32. Multiple Power Socket System (Option)

A: SCHEMATIC



WI-00668

WI-176

OIL PRESSURE WARNING LIGHT SYSTEM

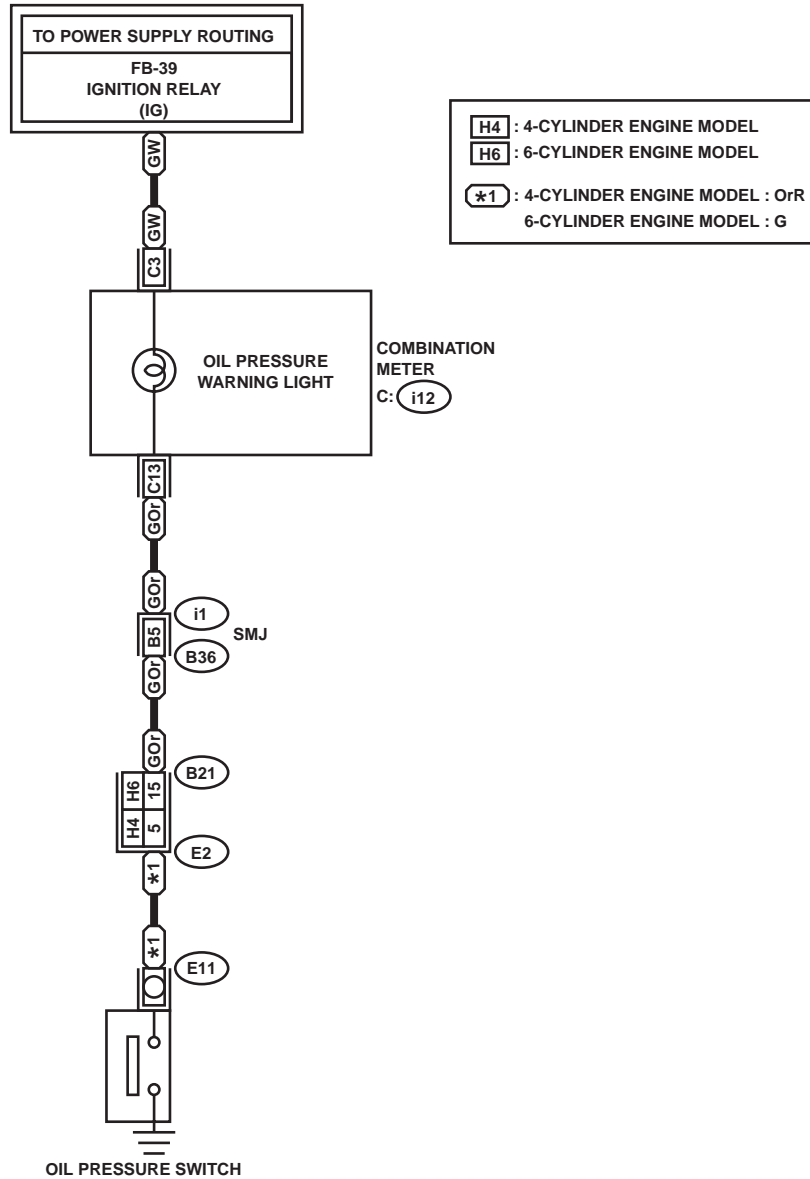
WIRING SYSTEM

33.Oil Pressure Warning Light System

A: SCHEMATIC

OIL/P-01

OIL/P-01



C: i12 (GREEN)

1	2	3	4	5	6
7	8	9	10	11	12
13	14				

B21

1	2	3	4
5	6	7	8
9	10	11	12
13	14	15	16
17	18	19	20

WI-01066

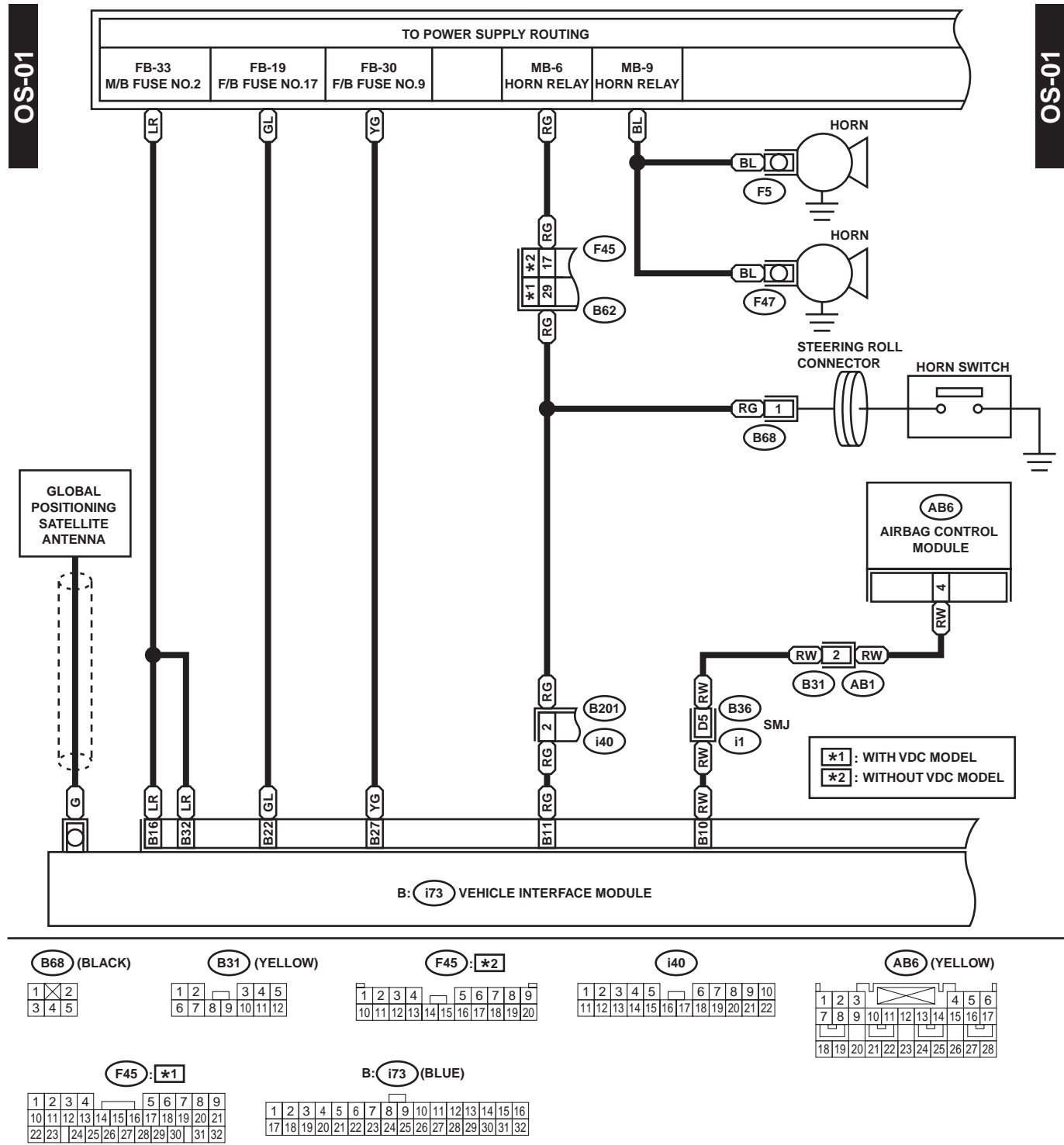
WI-177

ONSTAR SYSTEM

WIRING SYSTEM

34. Onstar System

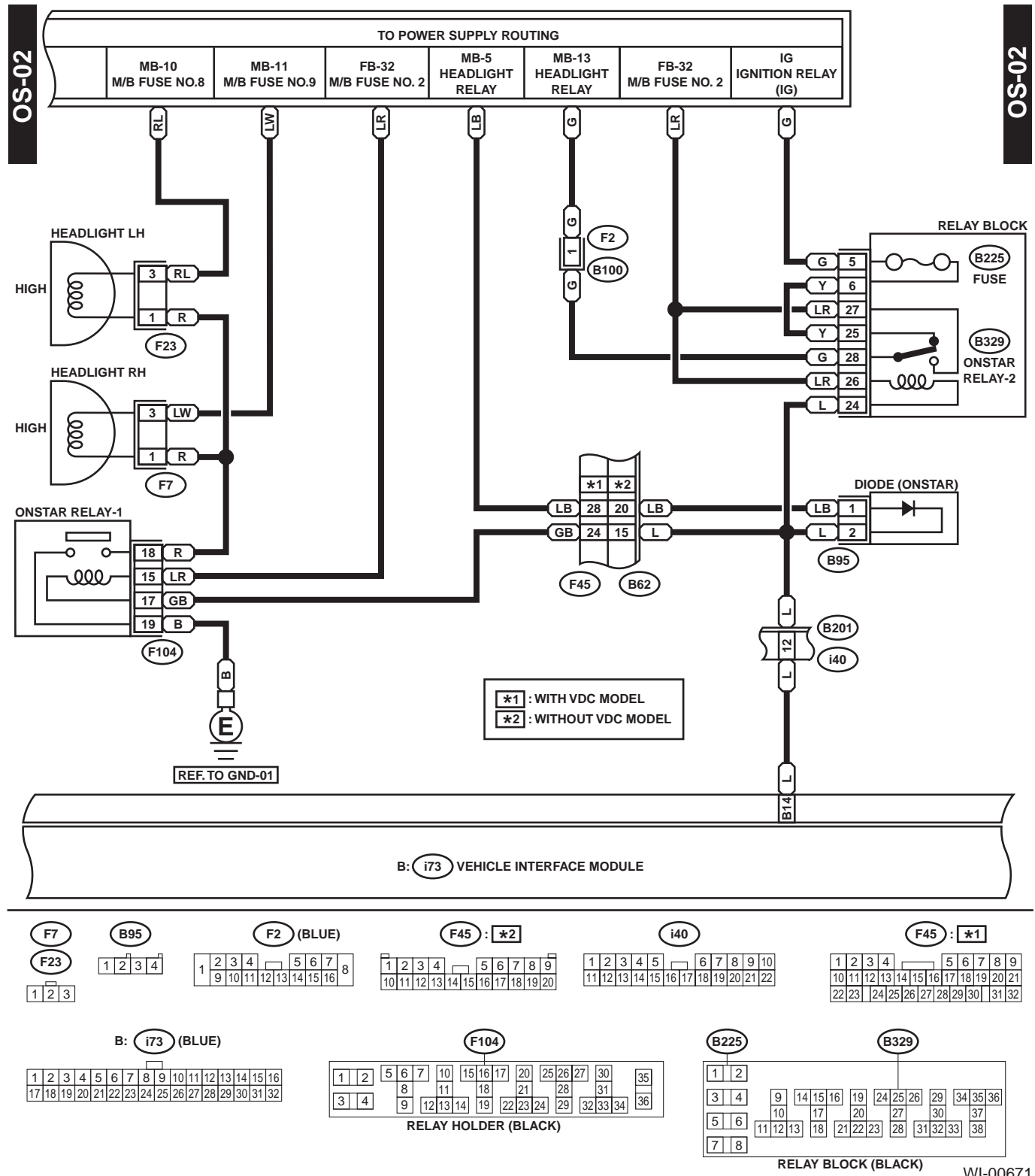
A: SCHEMATIC



WI-00670

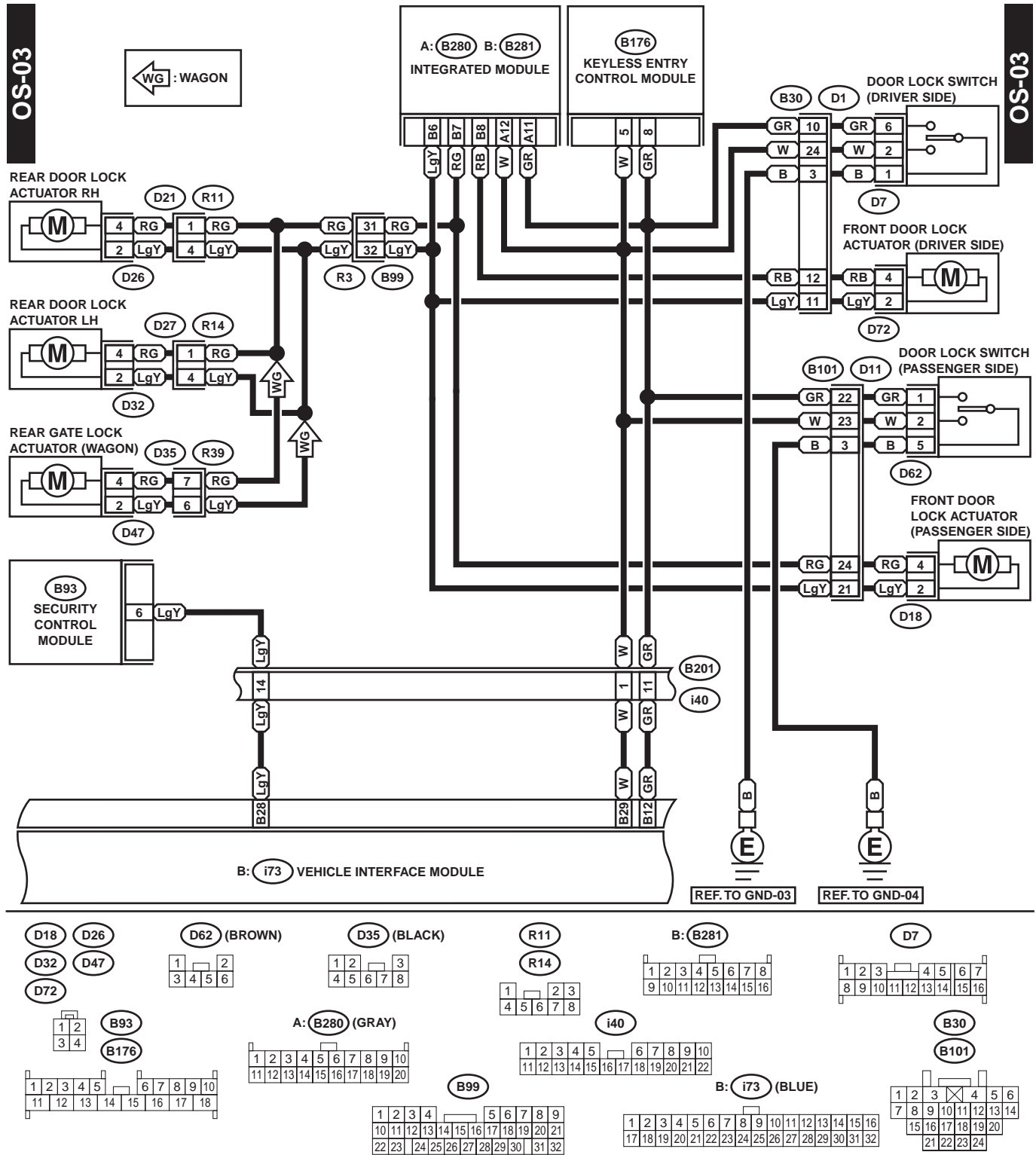
ONSTAR SYSTEM

WIRING SYSTEM



ONSTAR SYSTEM

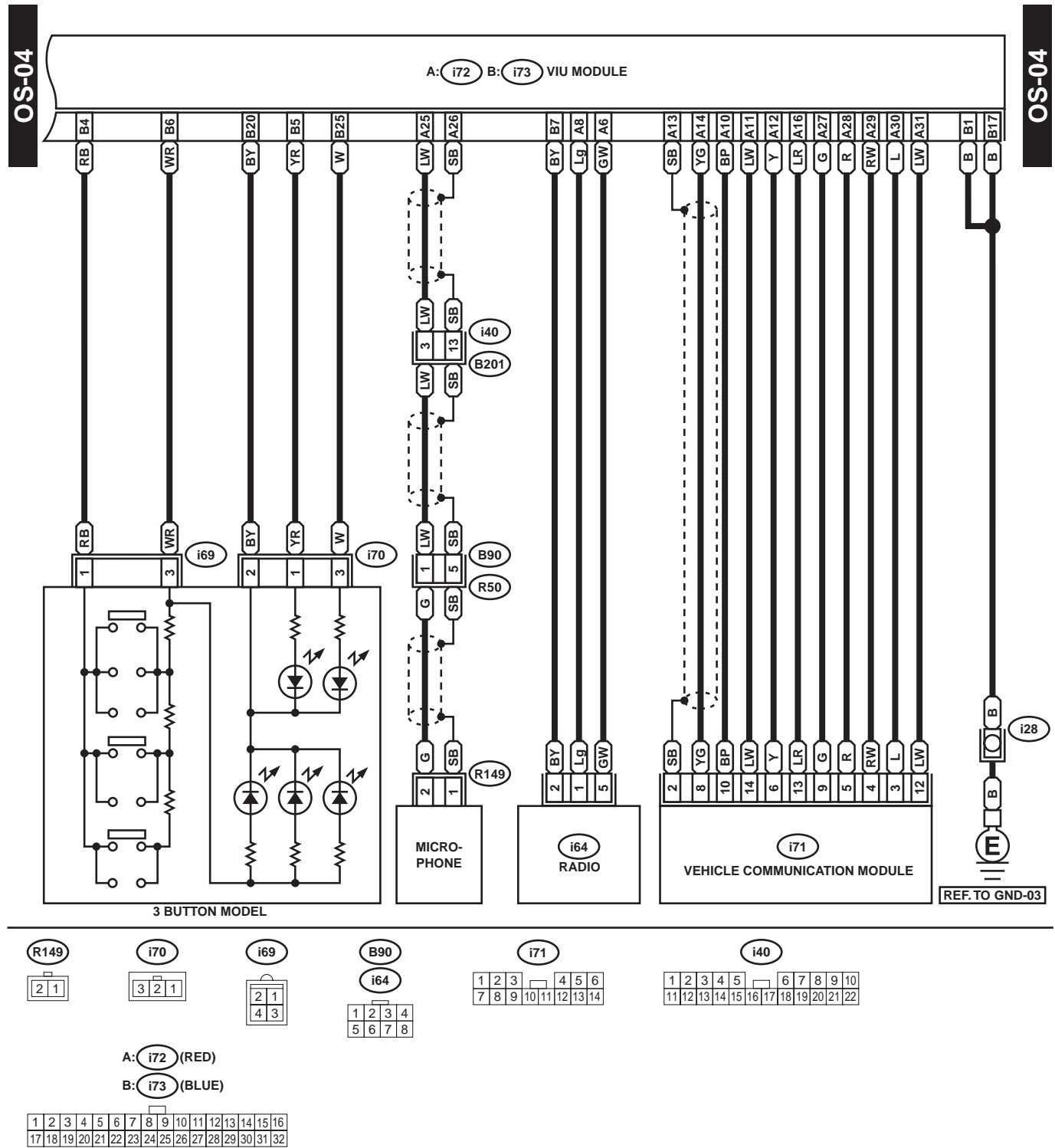
WIRING SYSTEM



WI-00672

ONSTAR SYSTEM

WIRING SYSTEM



WI-00673

OUTSIDE TEMPERATURE DISPLAY SYSTEM

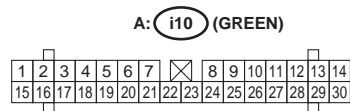
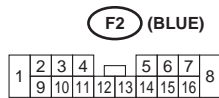
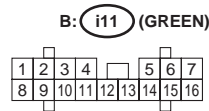
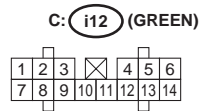
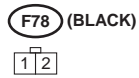
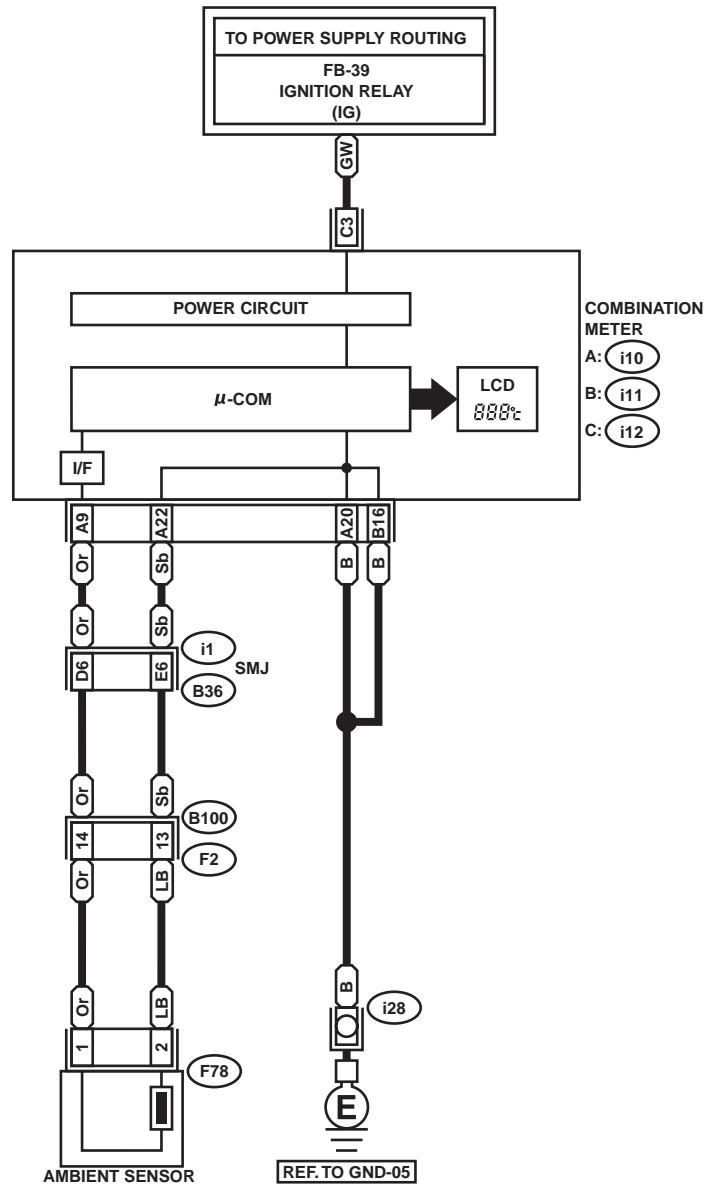
WIRING SYSTEM

35. Outside Temperature Display System

A: SCHEMATIC

O/TEMP-01

O/TEMP-01



WI-00674

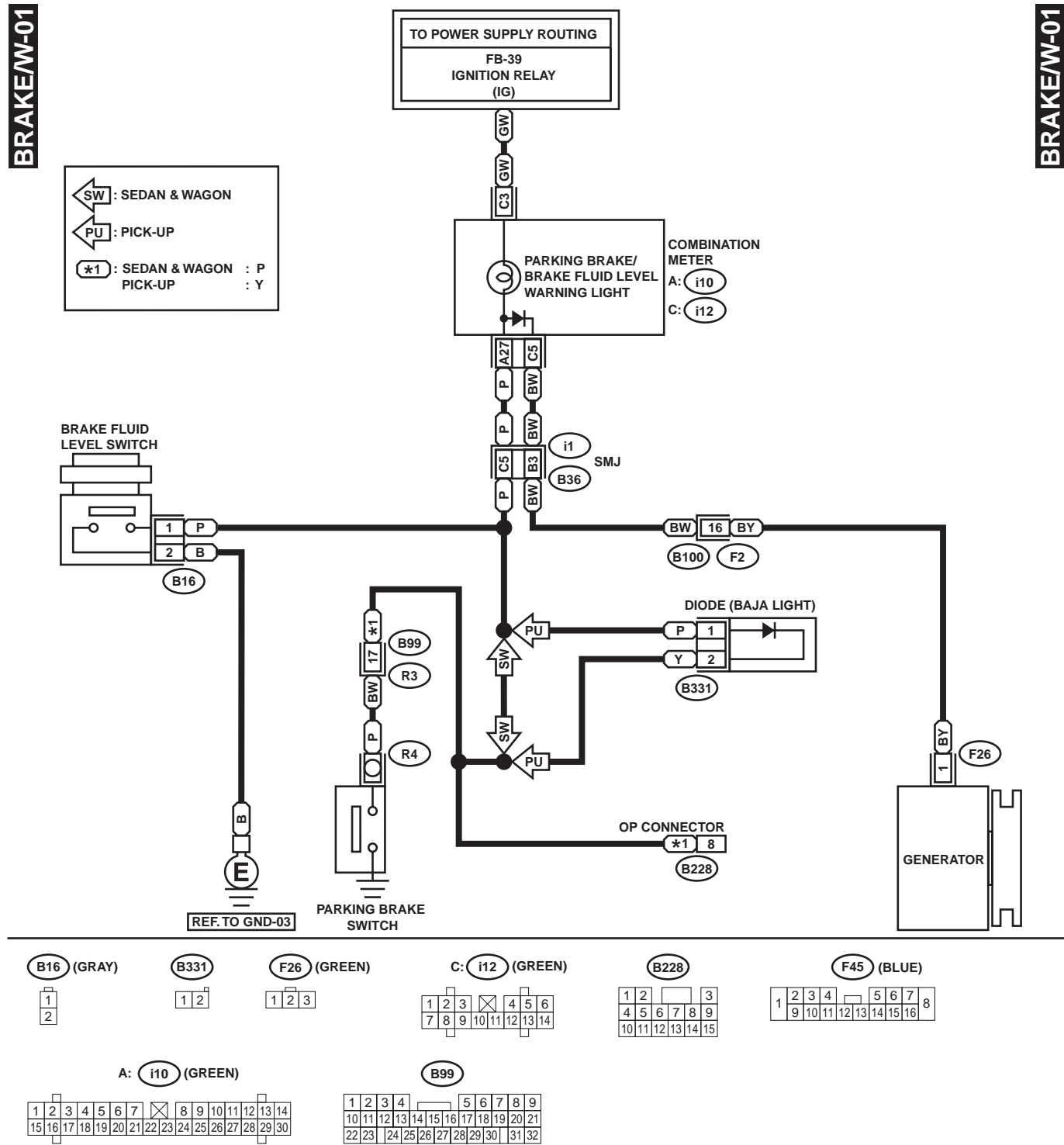
WI-182

PARKING BRAKE AND BRAKE FLUID LEVEL WARNING SYSTEM

WIRING SYSTEM

36. Parking Brake and Brake Fluid Level Warning System

A: SCHEMATIC



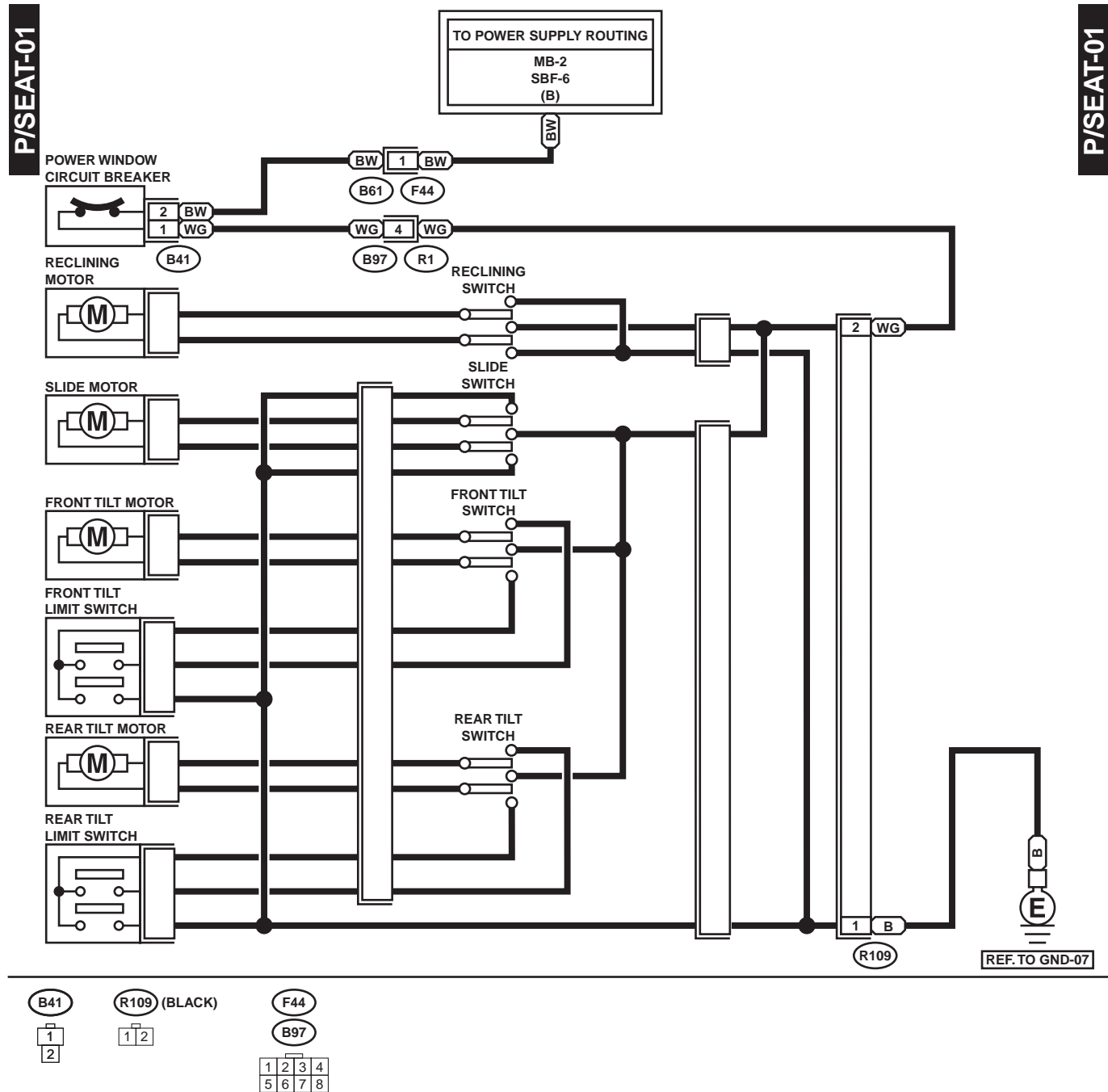
WI-00675

POWER SEAT SYSTEM

WIRING SYSTEM

37. Power Seat System

A: SCHEMATIC



WI-00676

POWER SEAT SYSTEM

WIRING SYSTEM

MEMO:

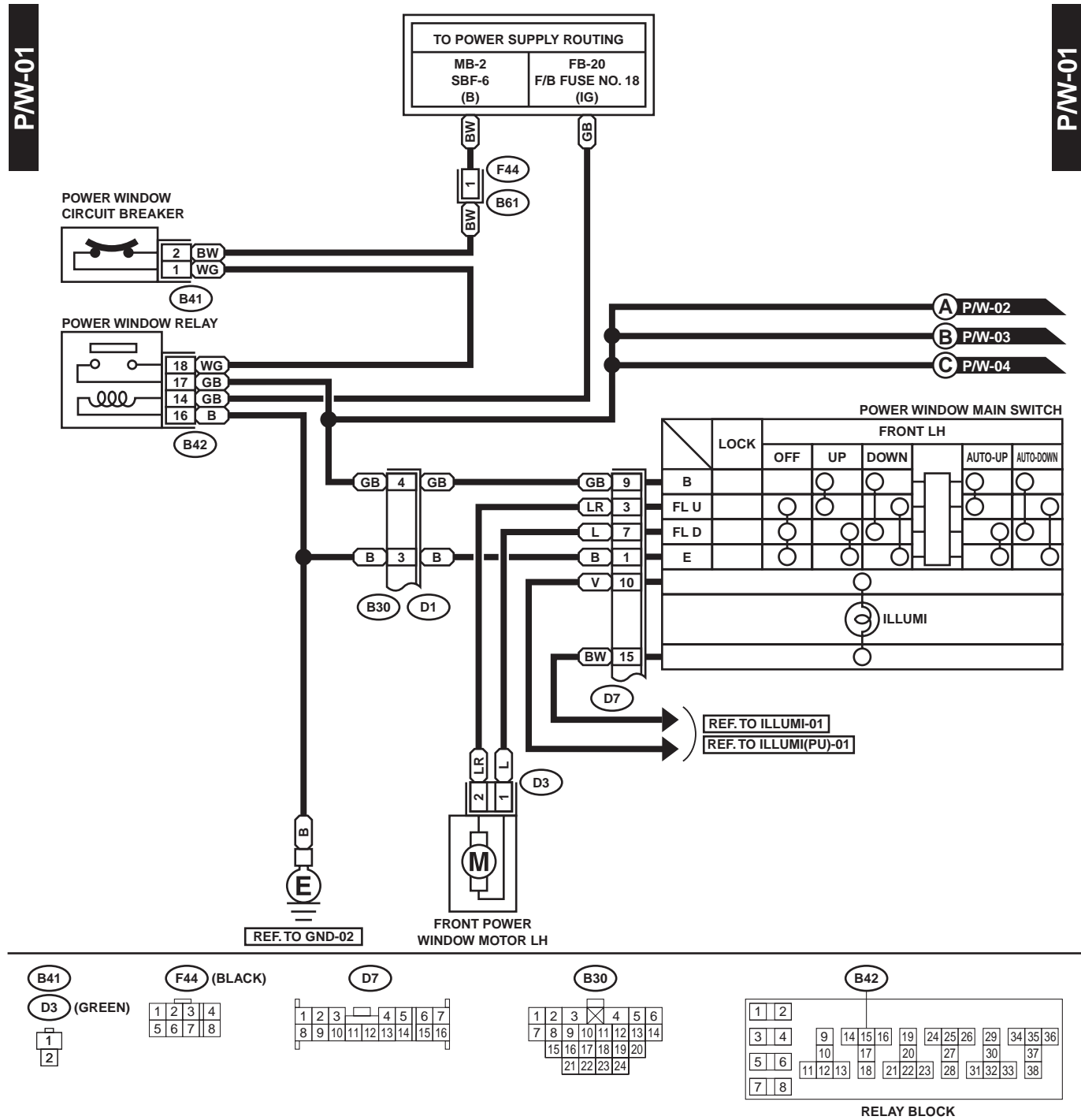
WI-185

POWER WINDOW SYSTEM

WIRING SYSTEM

38.Power Window System

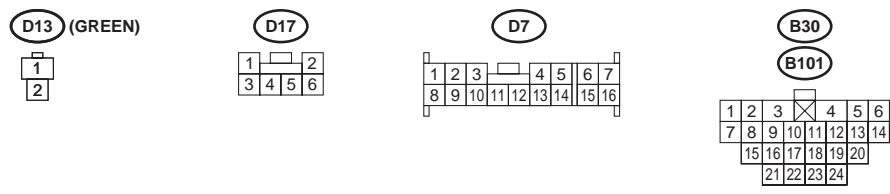
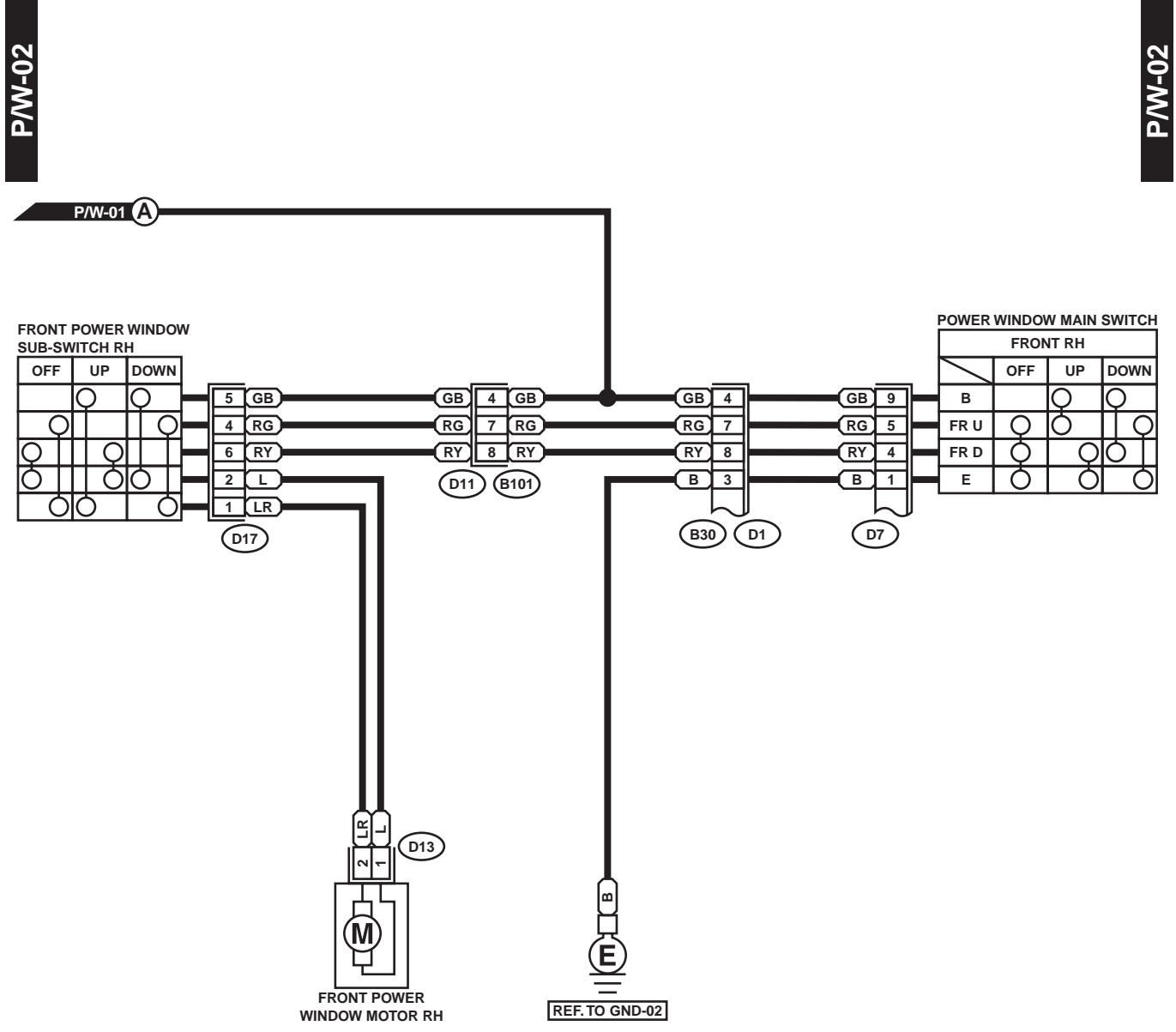
A: SCHEMATIC



WI-00677

POWER WINDOW SYSTEM

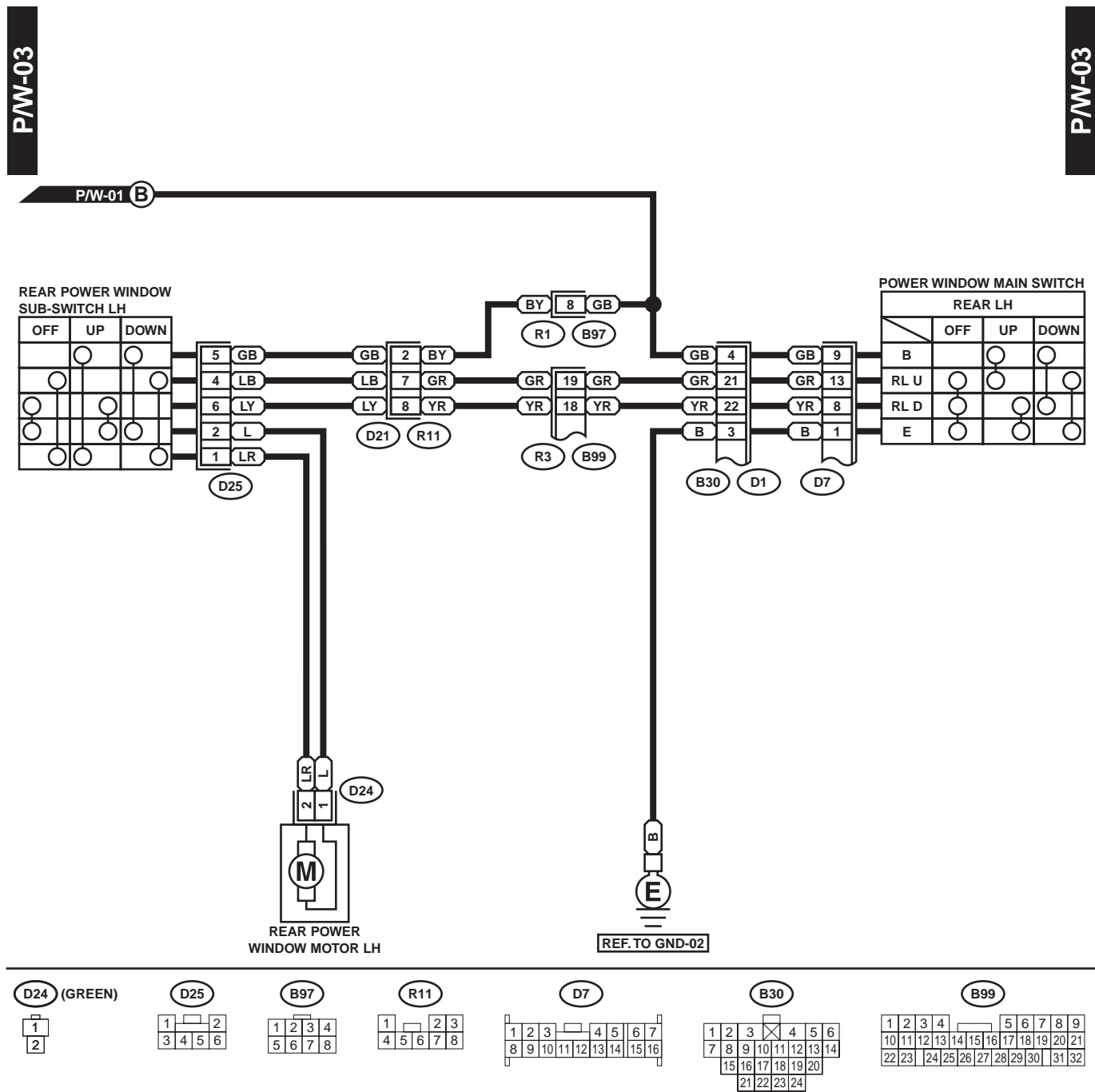
WIRING SYSTEM



WI-00678

POWER WINDOW SYSTEM

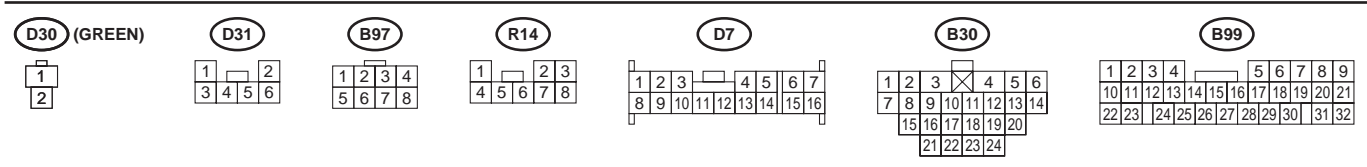
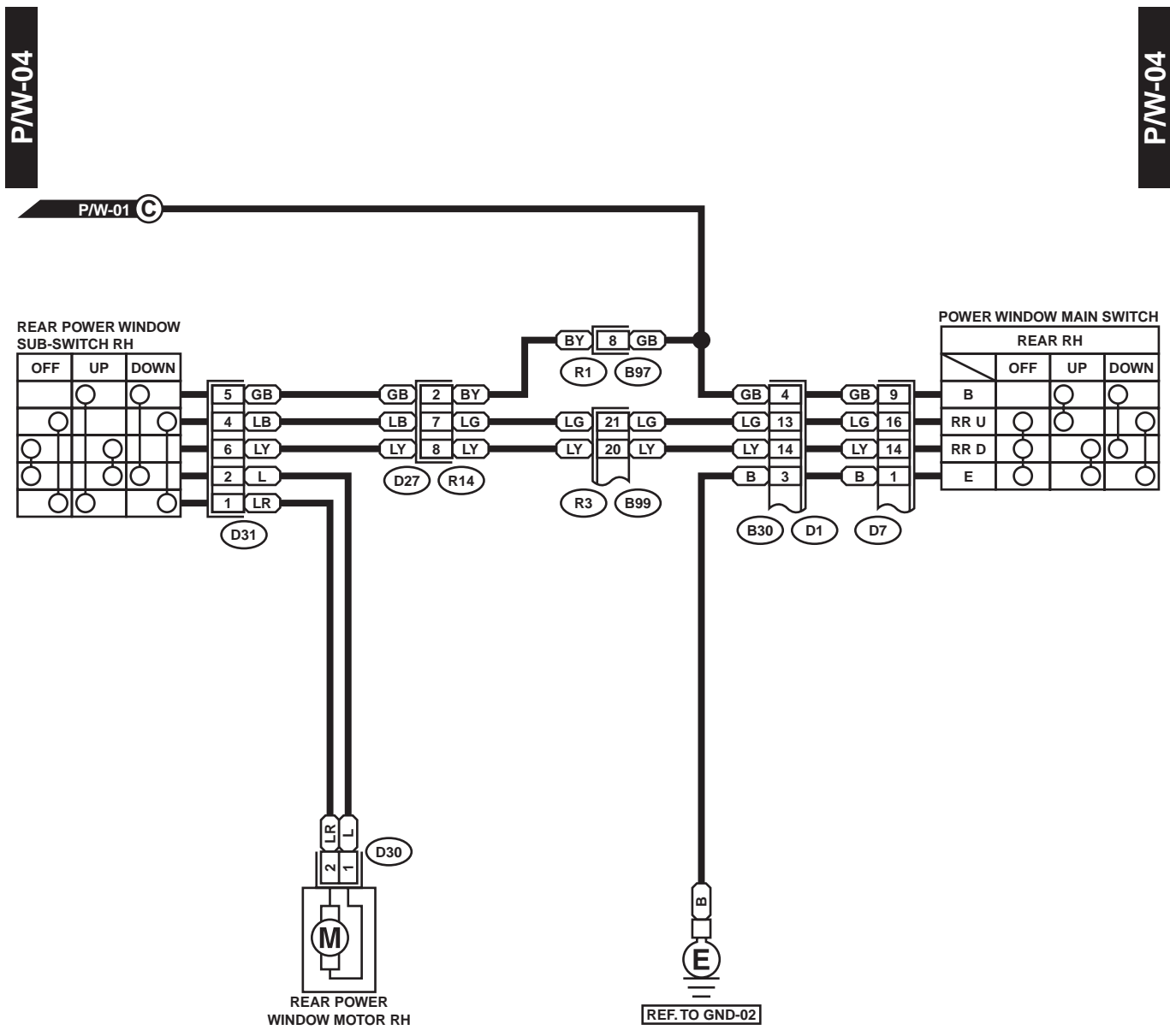
WIRING SYSTEM



WI-00679

POWER WINDOW SYSTEM

WIRING SYSTEM



WI-00680

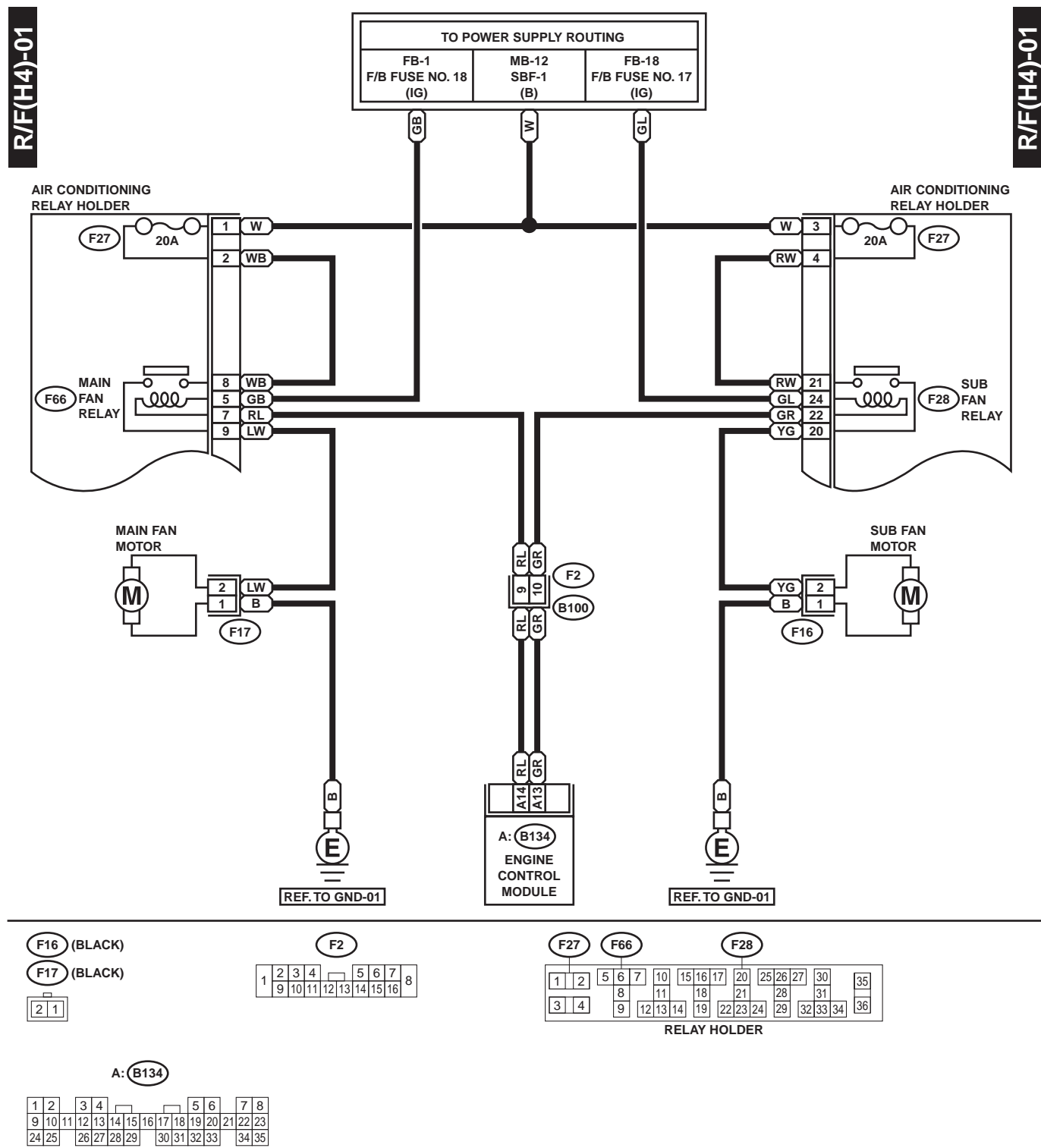
RADIATOR FAN SYSTEM

WIRING SYSTEM

39.Radiator Fan System

A: SCHEMATIC

1. 4-CYLINDER ENGINE MODEL

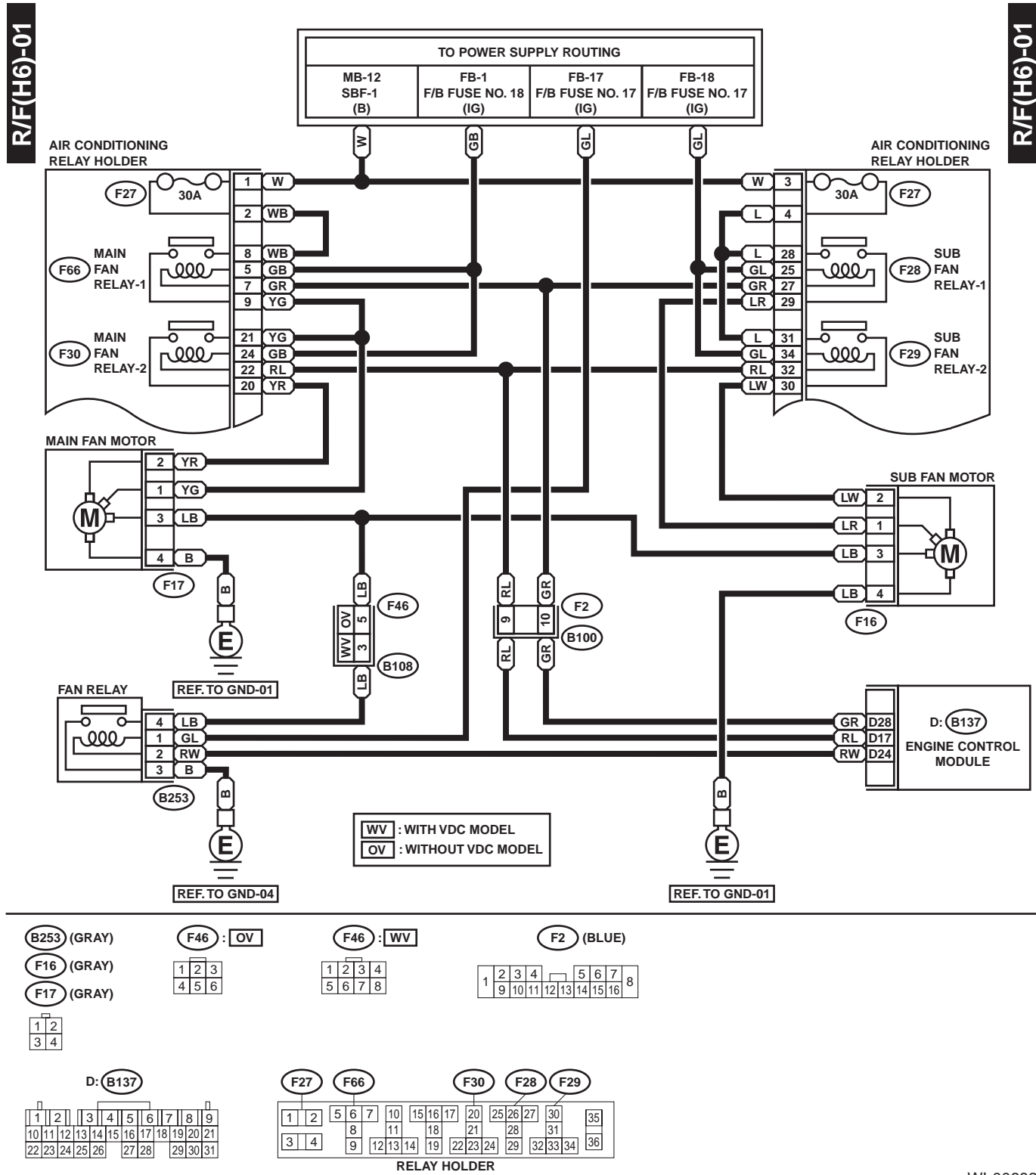


WI-01067

RADIATOR FAN SYSTEM

WIRING SYSTEM

2. 6-CYLINDER ENGINE MODEL



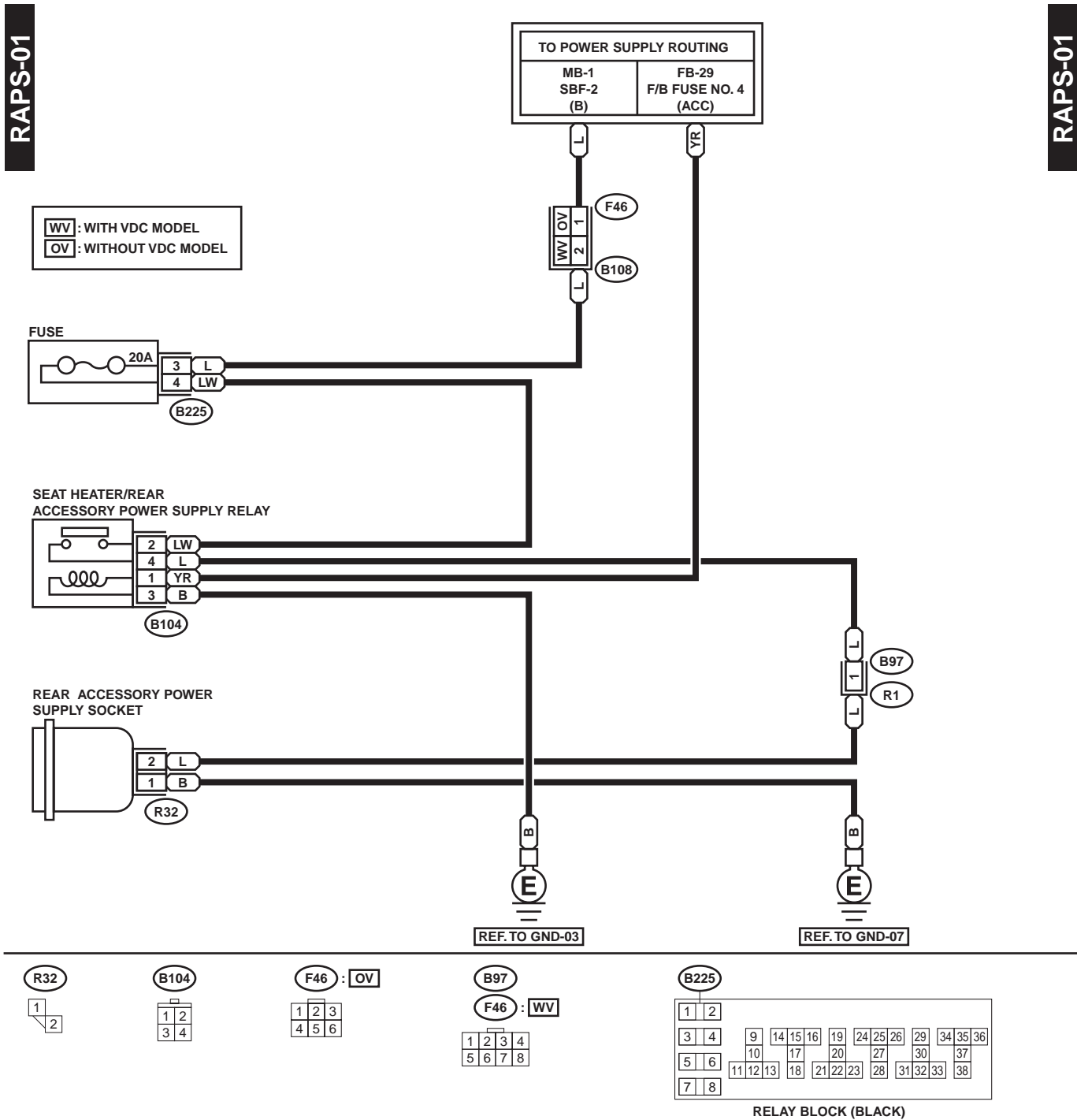
WI-00682

REAR ACCESSORY POWER SUPPLY SYSTEM

WIRING SYSTEM

40.Rear Accessory Power Supply System

A: SCHEMATIC



WI-00683

REAR ACCESSORY POWER SUPPLY SYSTEM

WIRING SYSTEM

MEMO:

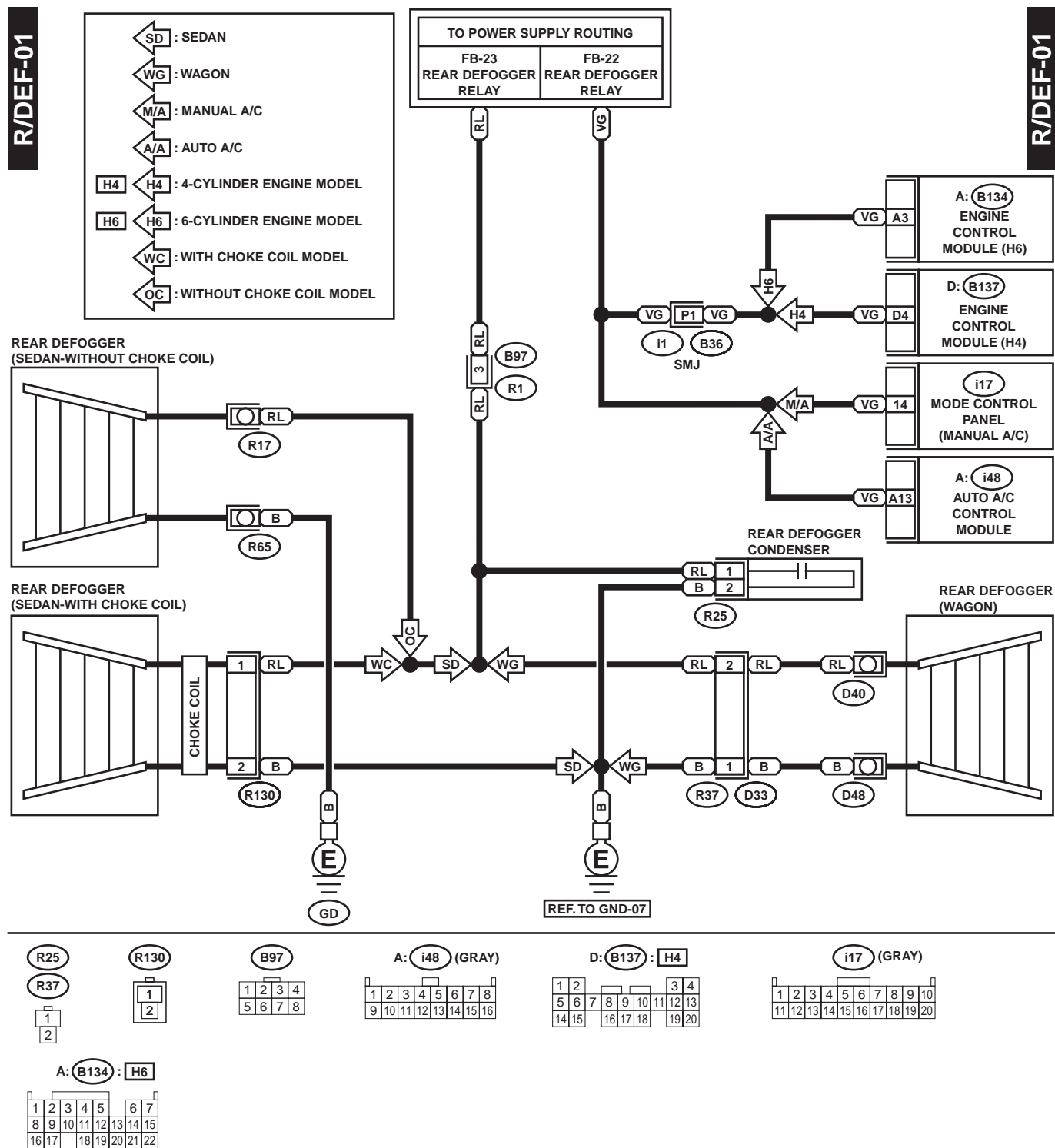
REAR WINDOW DEFOGGER SYSTEM

WIRING SYSTEM

41.Rear Window Defogger System

A: SCHEMATIC

1. SEDAN & WAGON MODEL

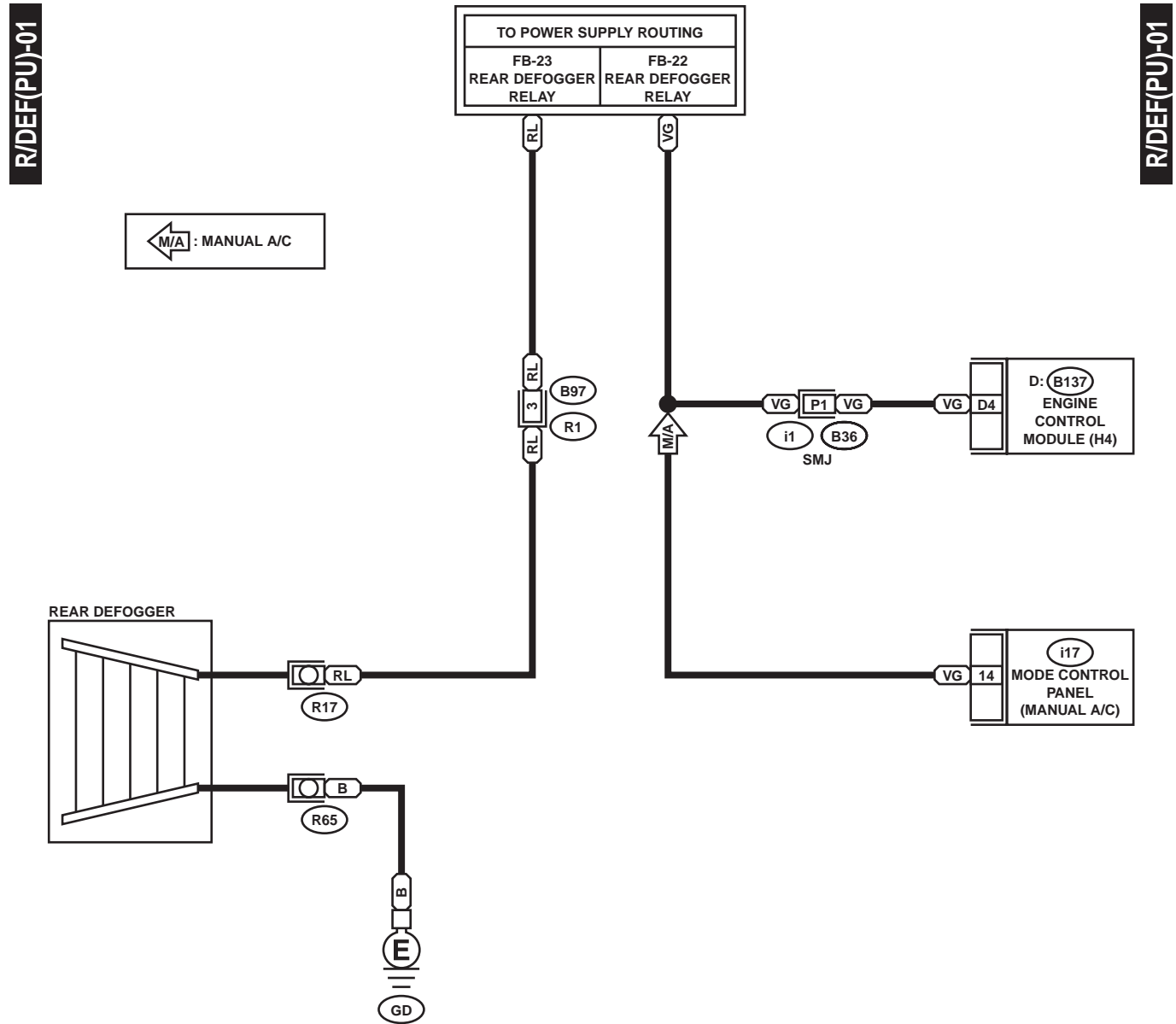


WI-01068

REAR WINDOW DEFOGGER SYSTEM

WIRING SYSTEM

2. PICK-UP MODEL



B97

1	2	3	4
5	6	7	8

A: i48 (GRAY)

1	2	3	4	5	6	7	8
9	10	11	12	13	14	15	16

D: B137

1	2	3	4
5	6	7	8
9	10	11	12
13	14	15	16
17	18	19	20

i17 (GRAY)

1	2	3	4	5	6	7	8	9	10
11	12	13	14	15	16	17	18	19	20

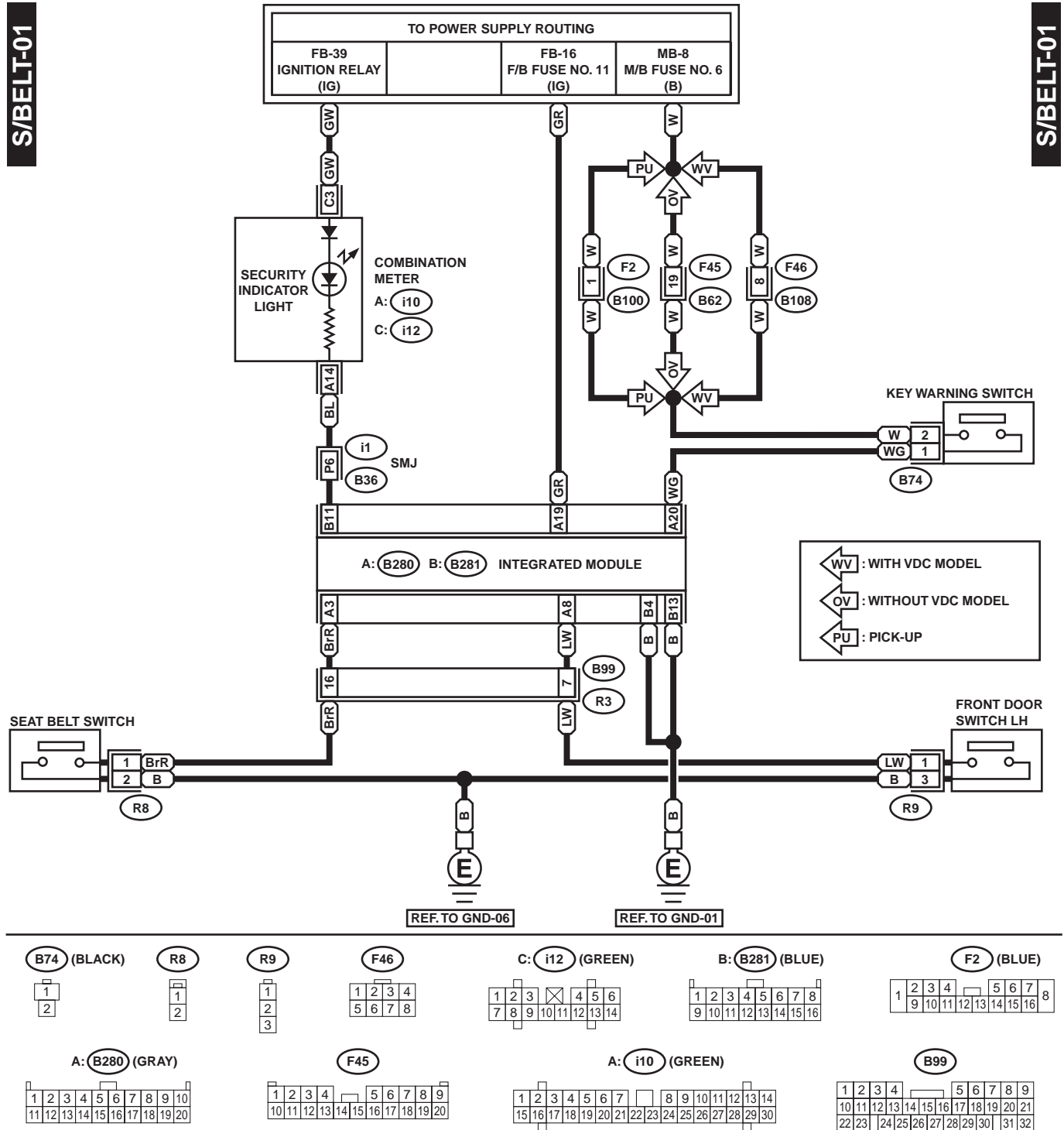
WI-00685

SEAT BELT WARNING SYSTEM

WIRING SYSTEM

43. Seat Belt Warning System

A: SCHEMATIC



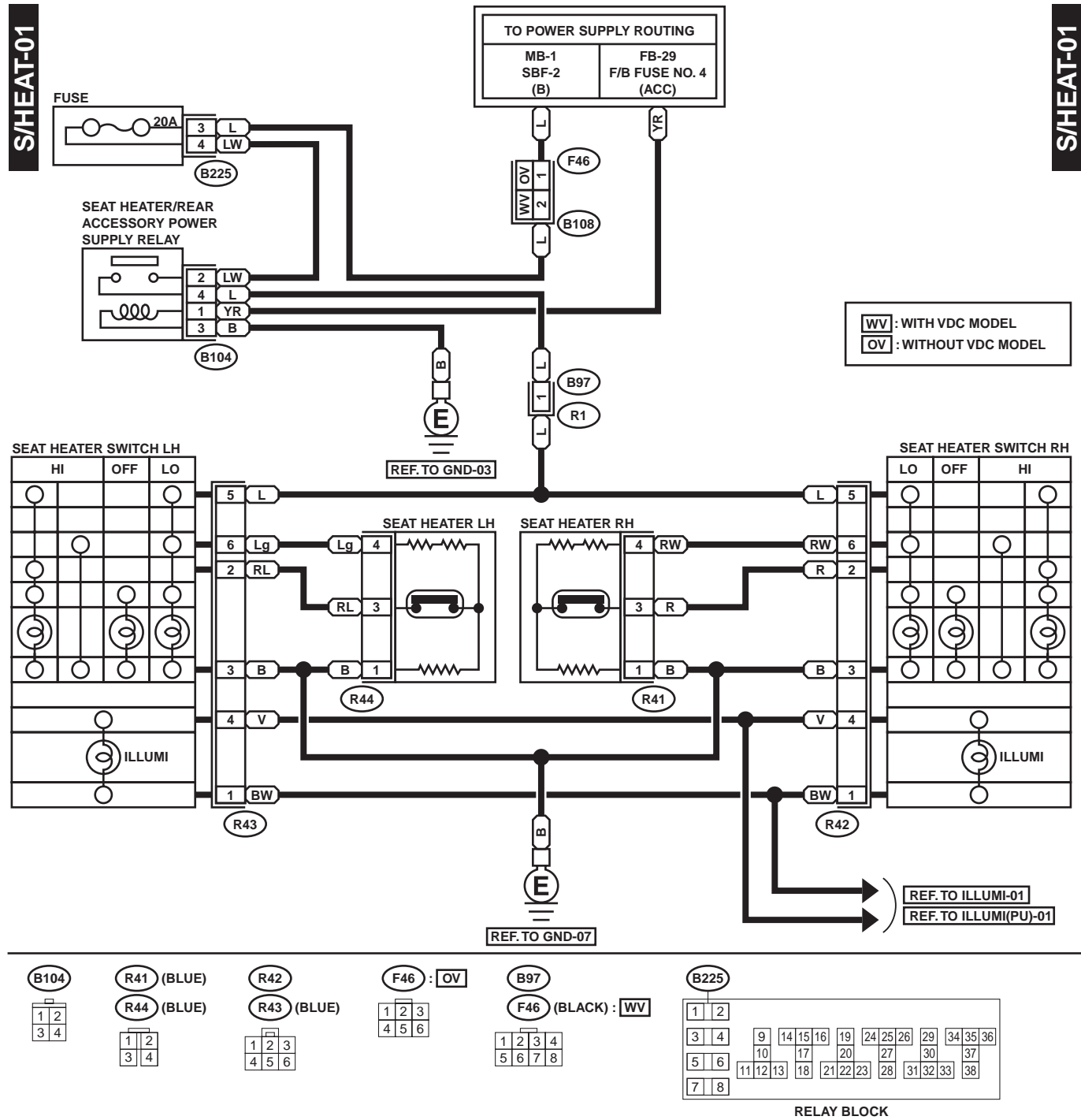
WI-00687

SEAT HEATER SYSTEM

WIRING SYSTEM

44. Seat Heater System

A: SCHEMATIC



WI-00688

SEAT HEATER SYSTEM

WIRING SYSTEM

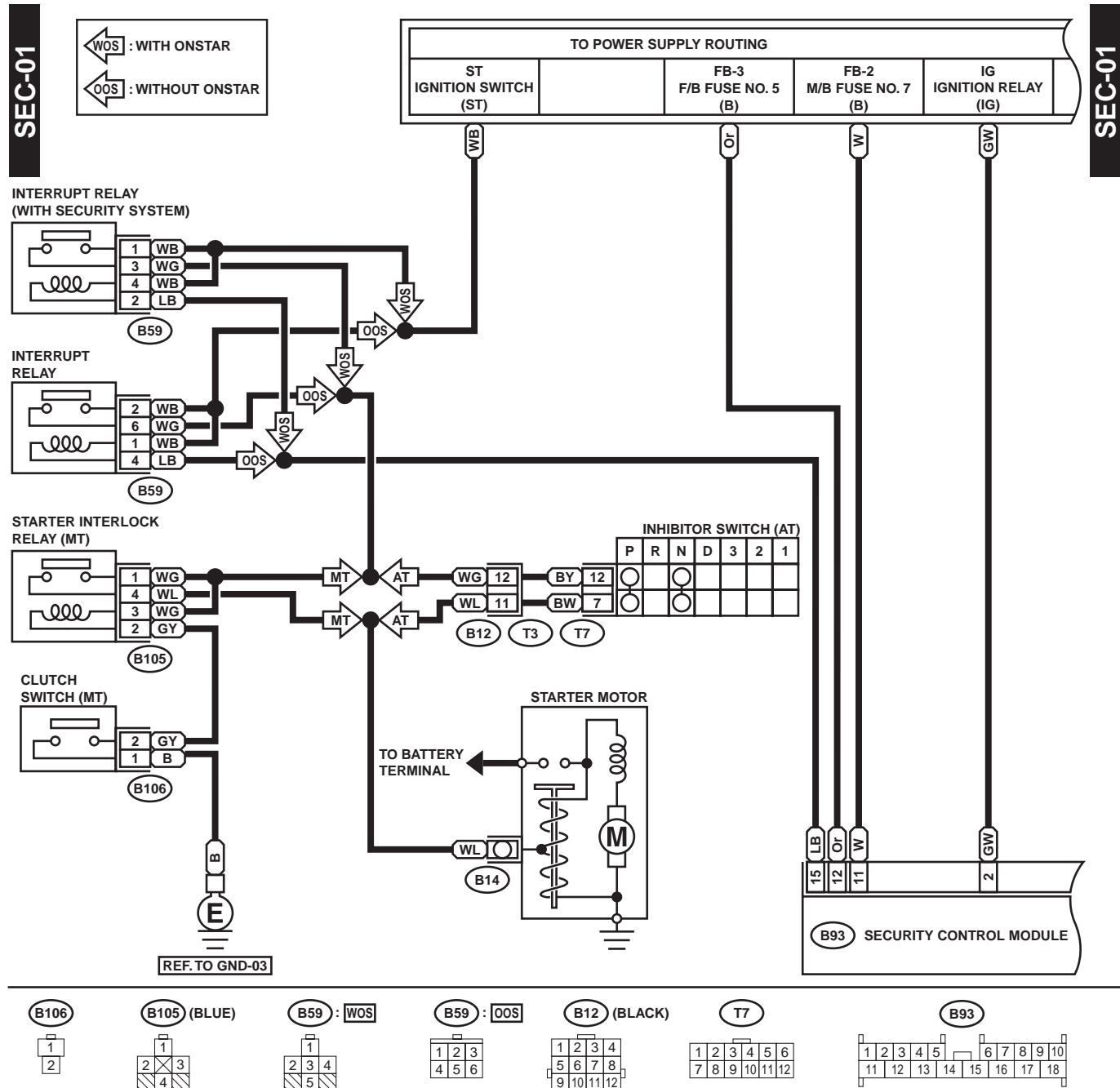
MEMO:

SECURITY SYSTEM

WIRING SYSTEM

45.Security System

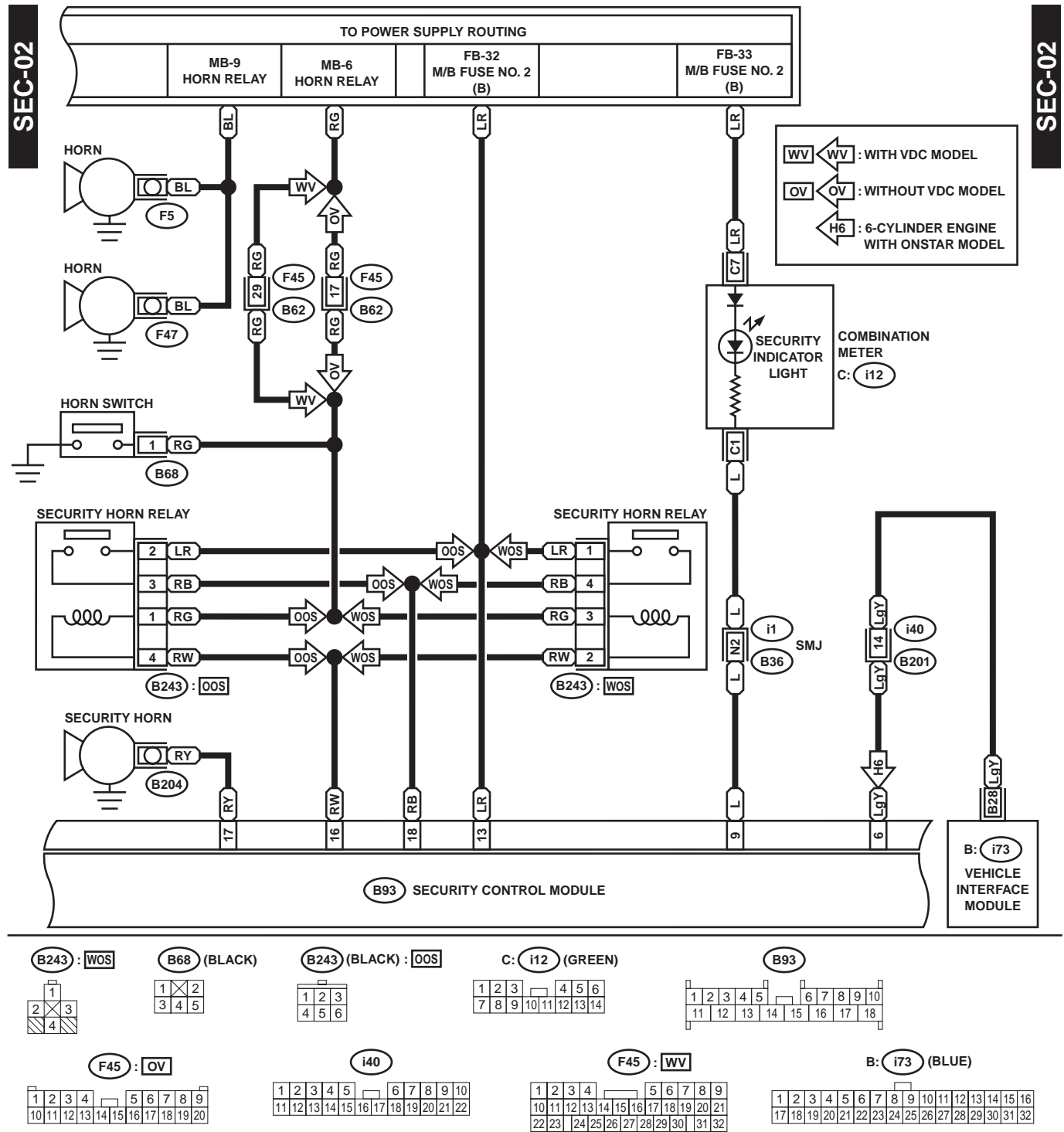
A: SCHEMATIC



WI-00689

SECURITY SYSTEM

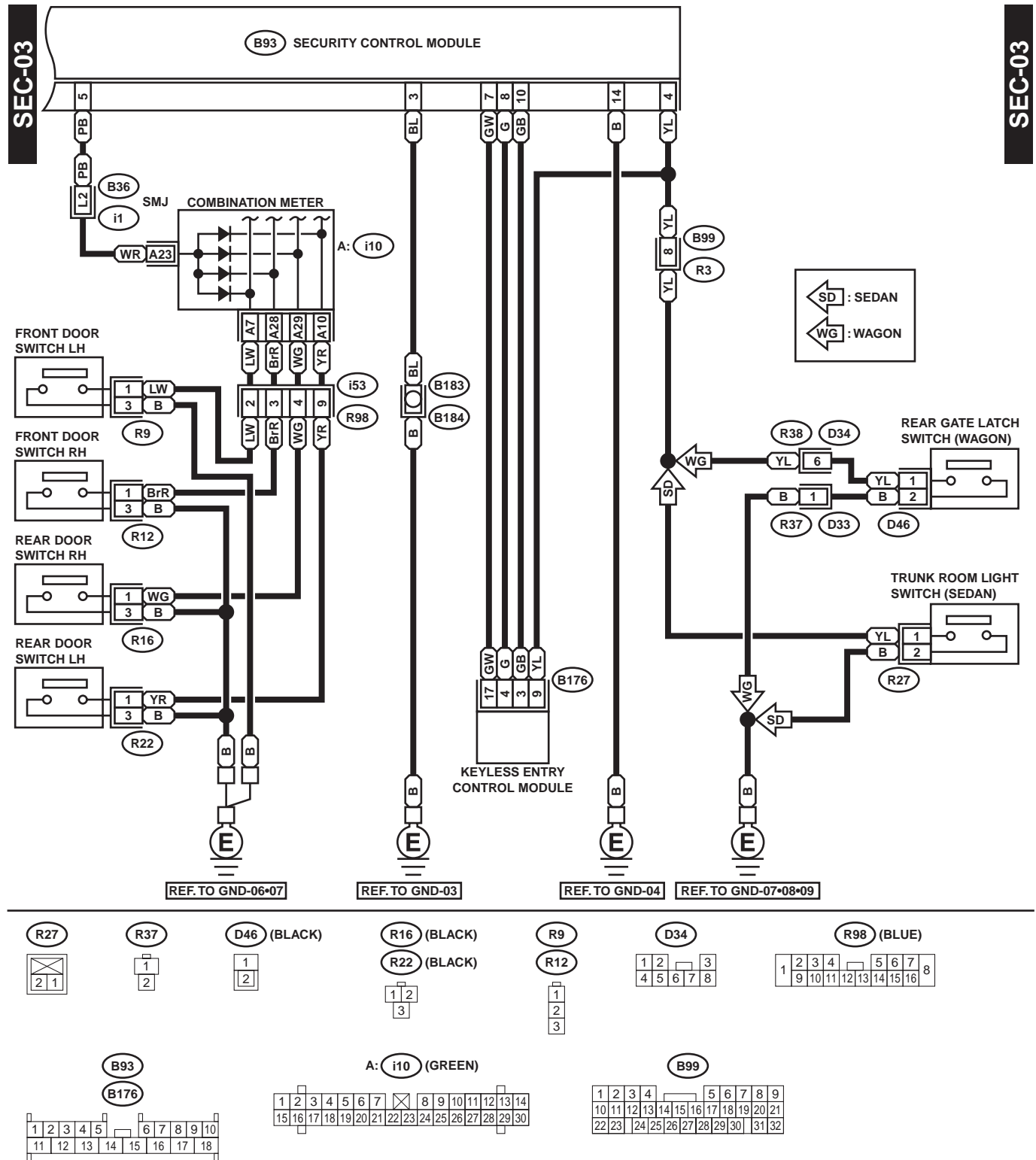
WIRING SYSTEM



WI-00690

SECURITY SYSTEM

WIRING SYSTEM



WI-00691

SECURITY SYSTEM

WIRING SYSTEM

MEMO:

WI-203

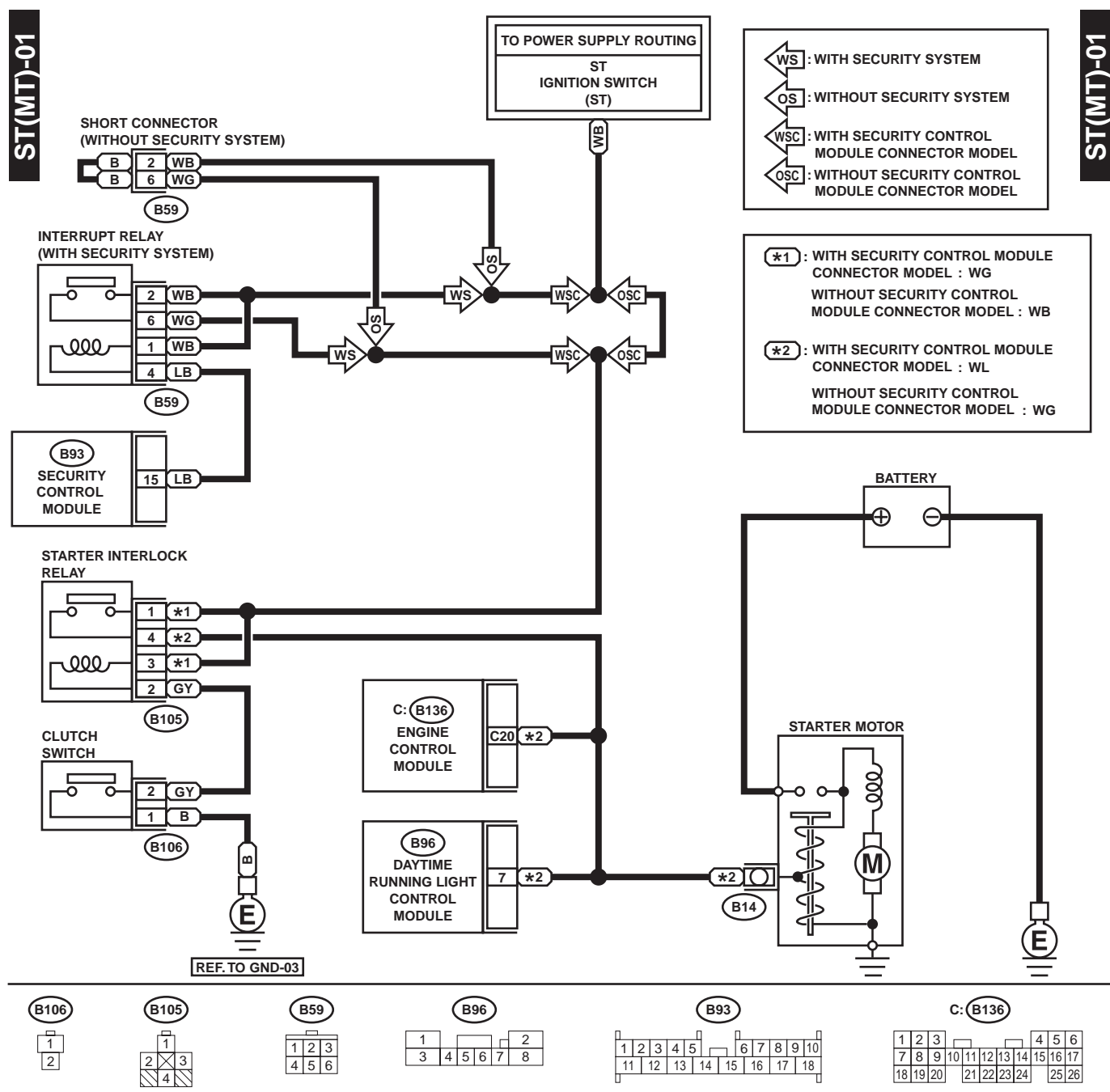
STARTER SYSTEM

WIRING SYSTEM

46. Starter System

A: SCHEMATIC

1. MT MODEL

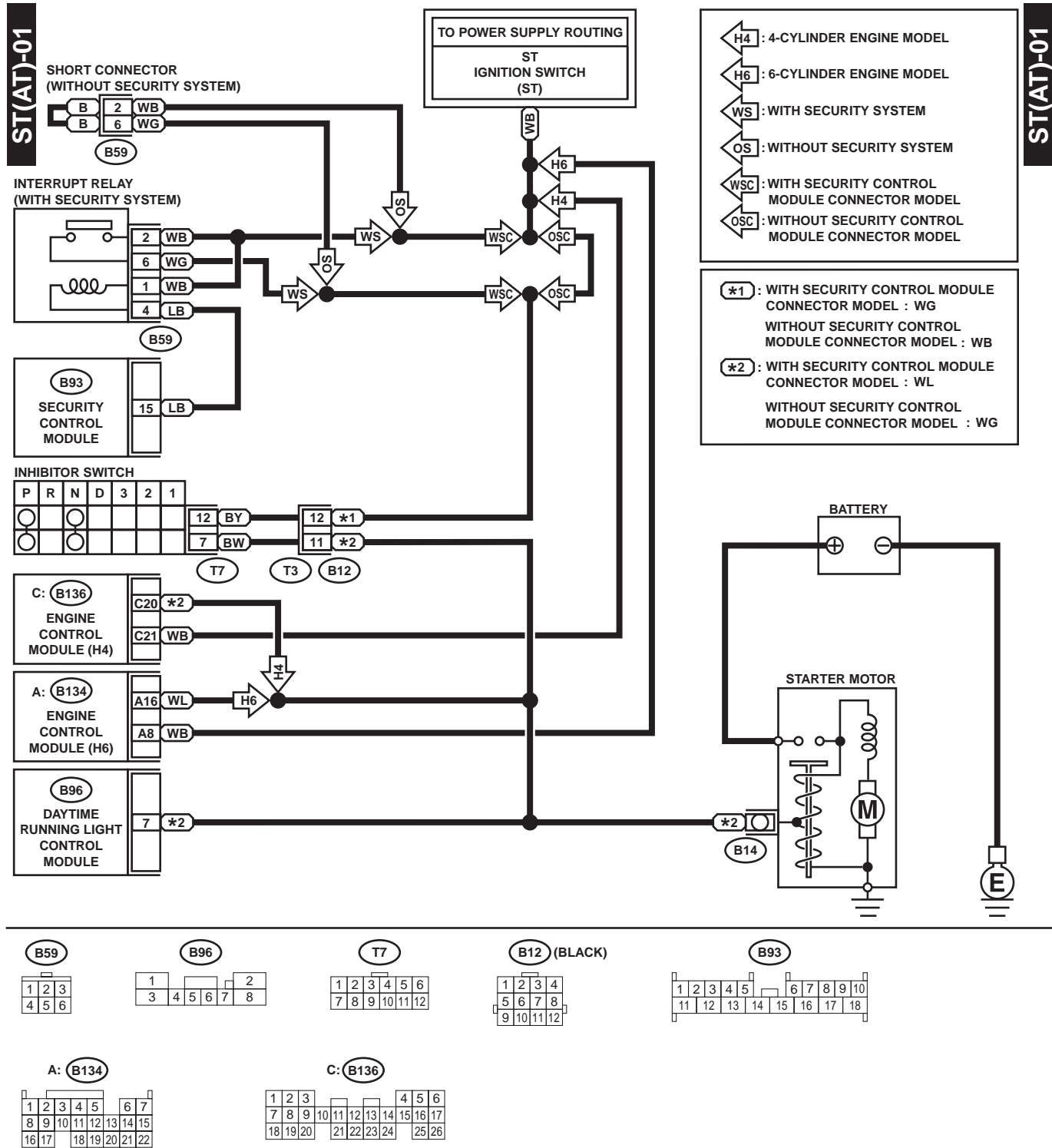


WI-00692

STARTER SYSTEM

WIRING SYSTEM

2. AT MODEL



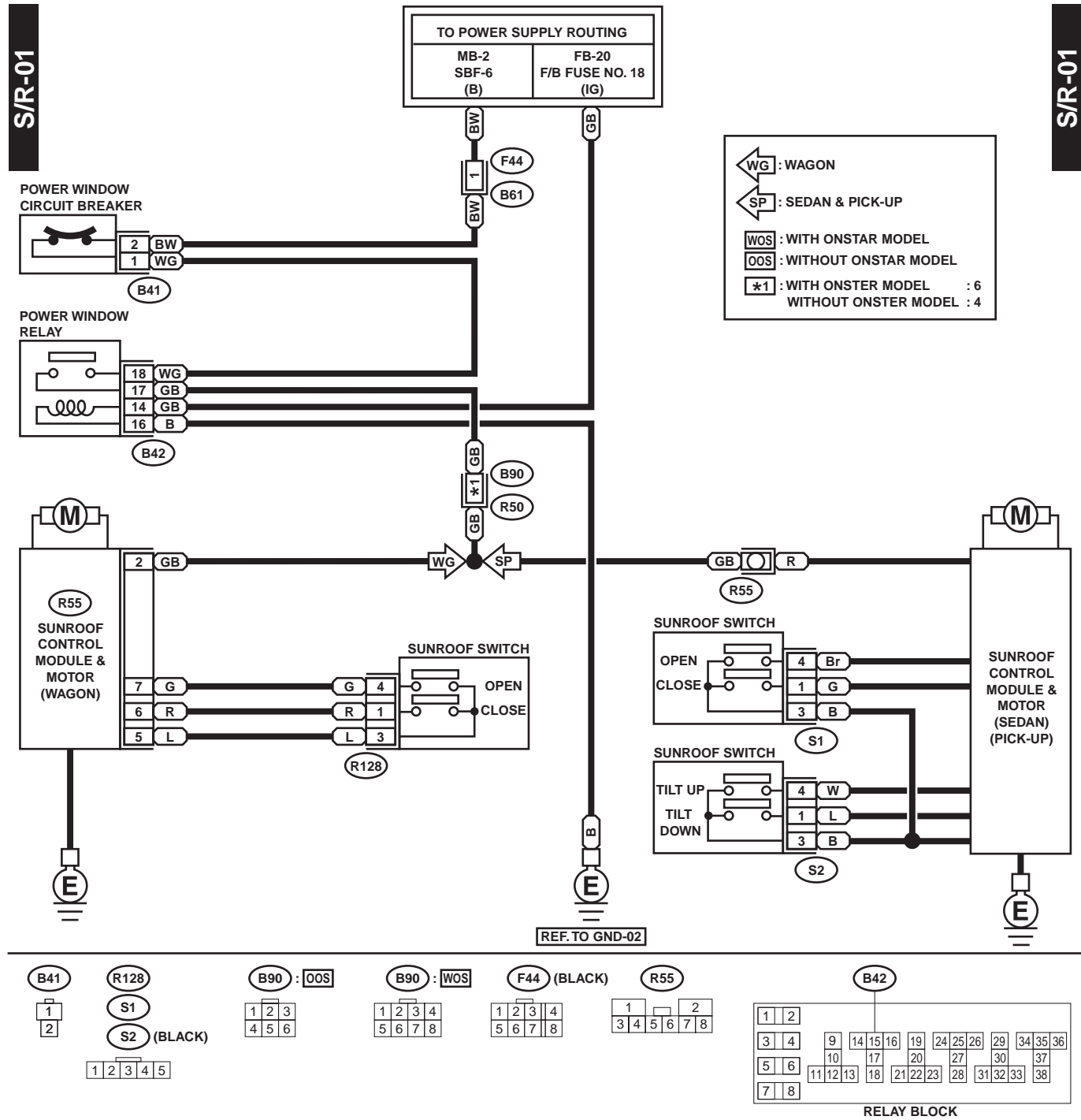
WI-00694

SUNROOF SYSTEM

WIRING SYSTEM

47.Sunroof System

A: SCHEMATIC



WI-00696

SUNROOF SYSTEM

WIRING SYSTEM

MEMO:

WI-207

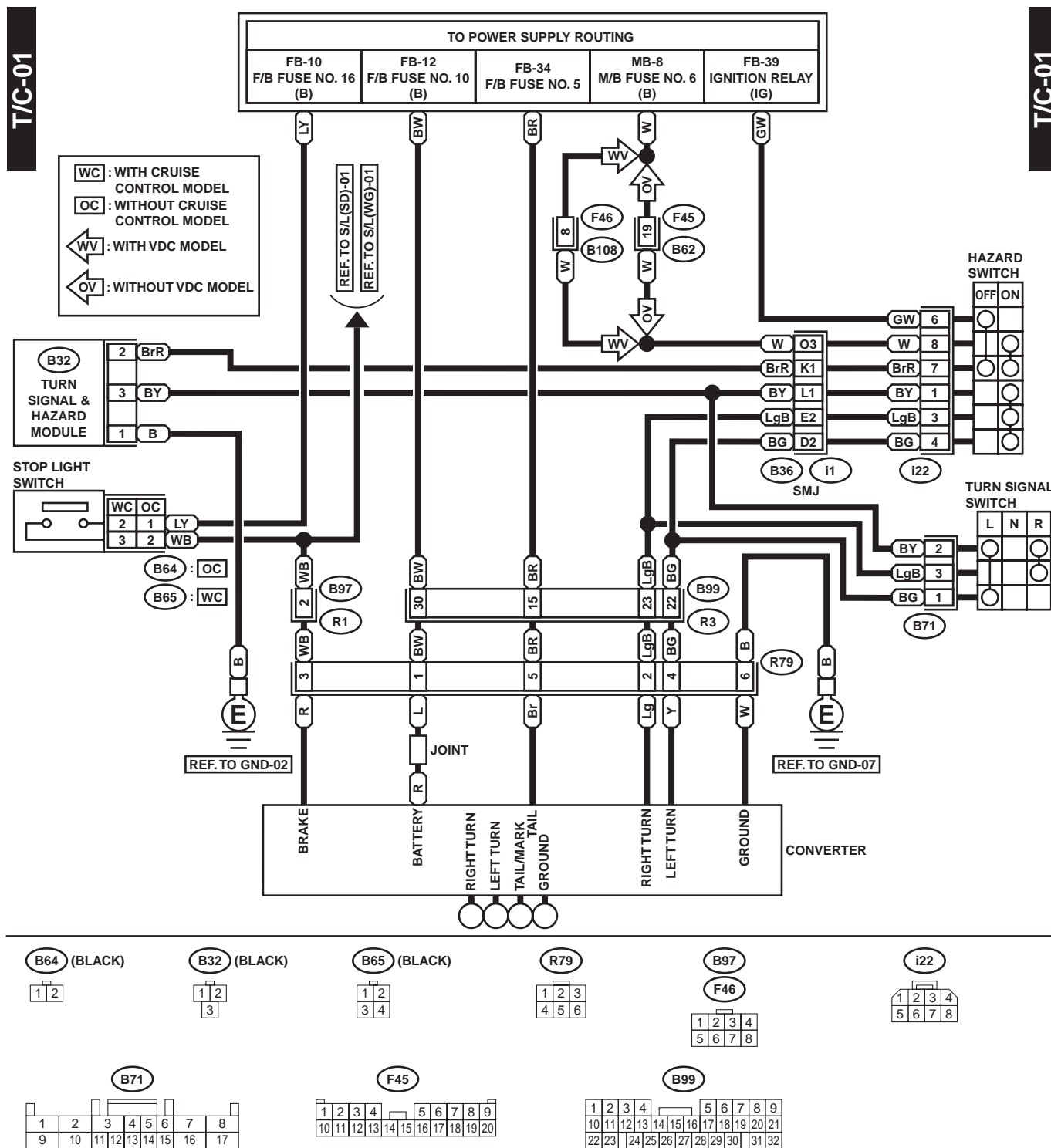
TRAILER WIRE HARNESS (OPTION)

WIRING SYSTEM

48.Trailer Wire Harness (Option)

A: SCHEMATIC

1. SEDAN & WAGON MODEL

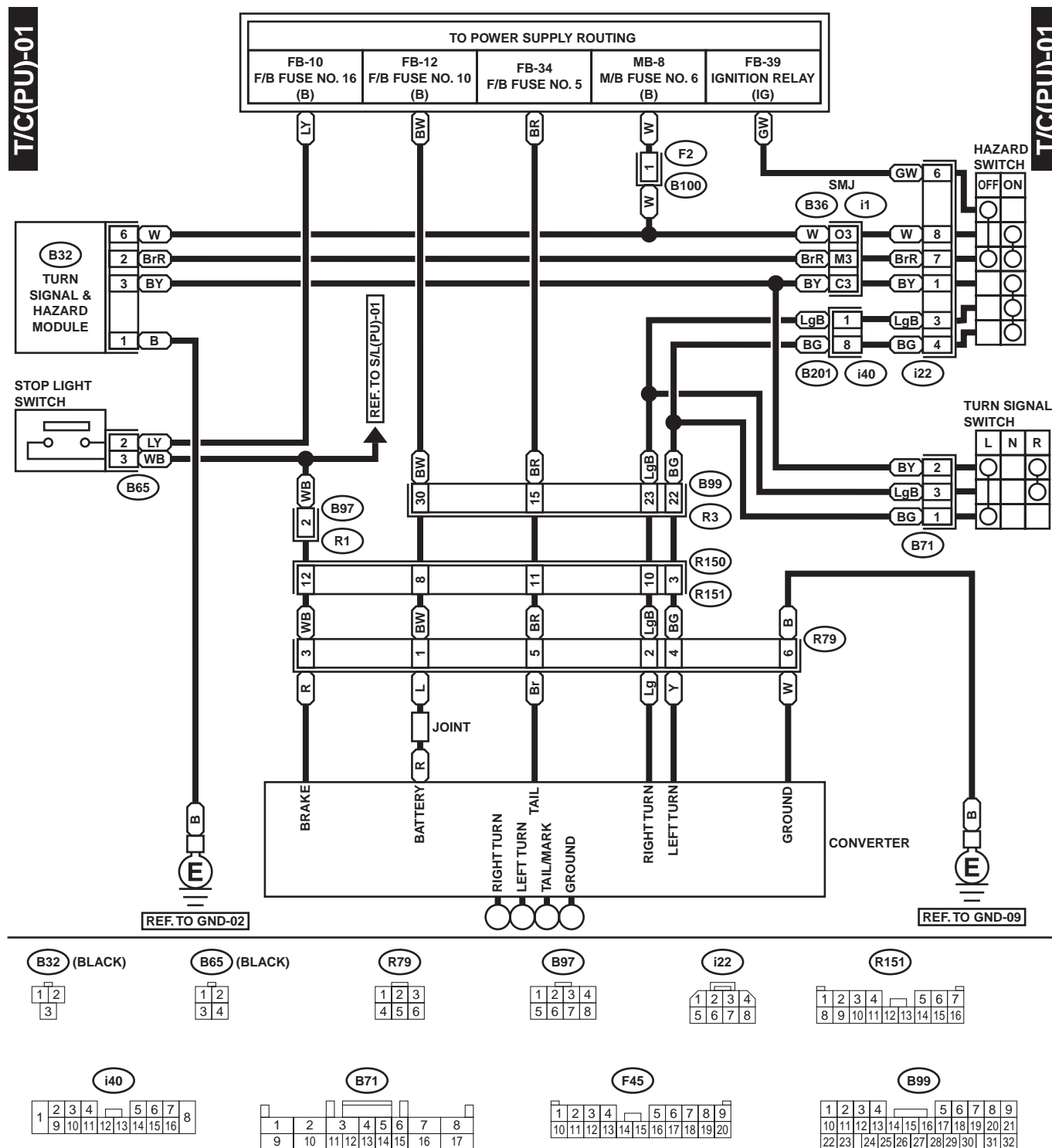


WI-00697

TRAILER WIRE HARNESS (OPTION)

WIRING SYSTEM

2. PICK-UP MODEL



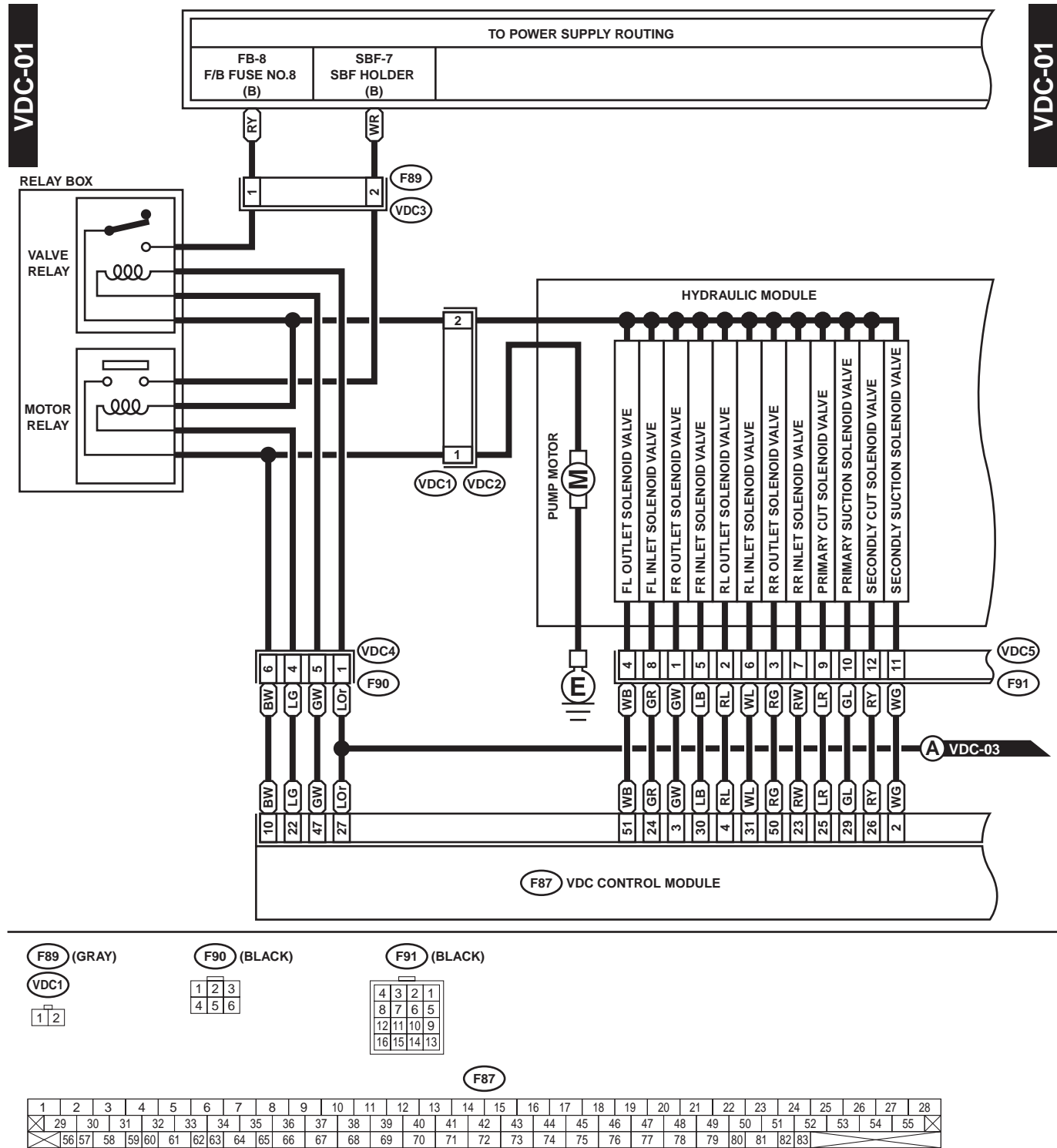
WI-00698

VEHICLE DYNAMIC CONTROL SYSTEM

WIRING SYSTEM

49. Vehicle Dynamic Control System

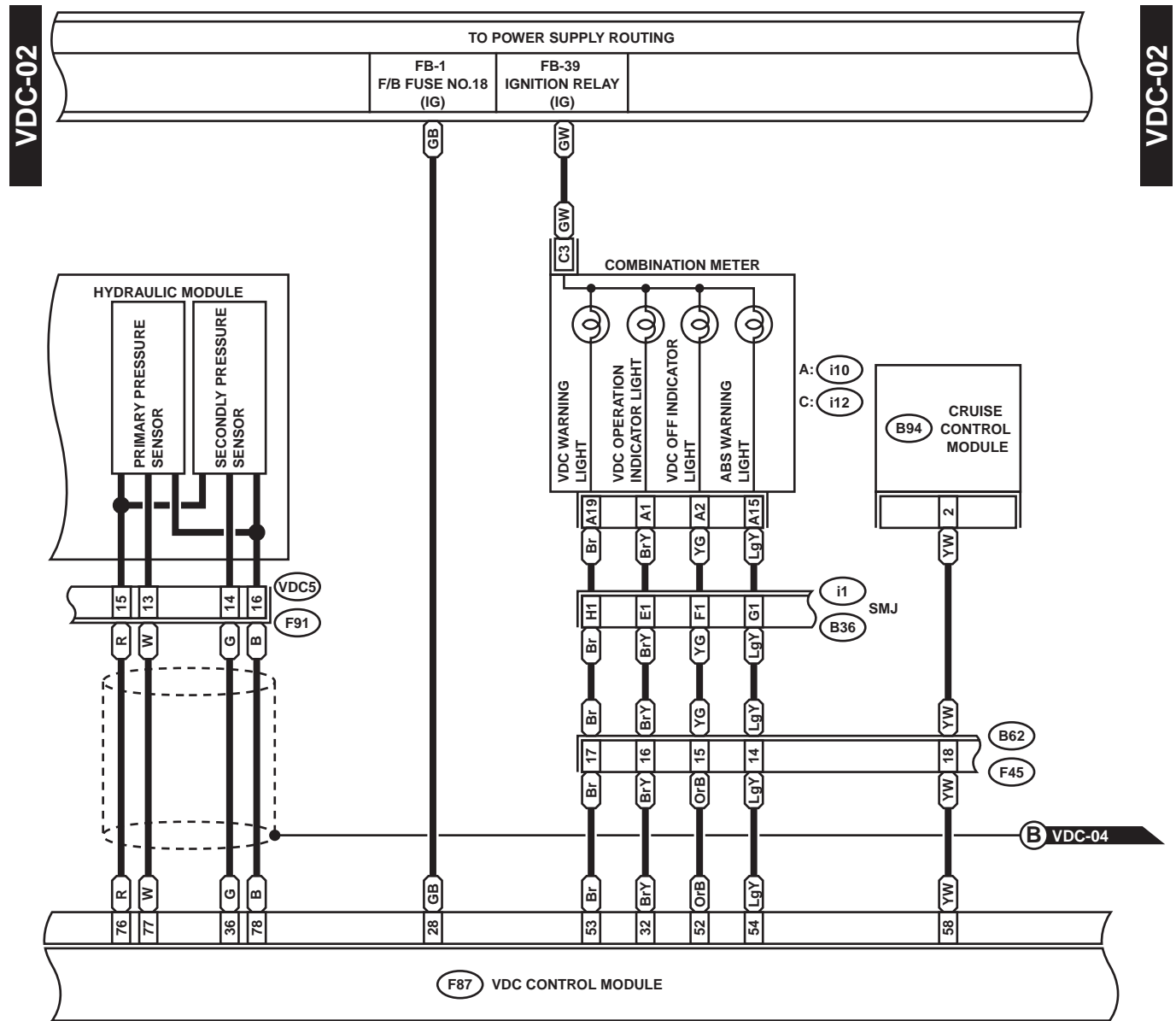
A: SCHEMATIC



WI-00699

VEHICLE DYNAMIC CONTROL SYSTEM

WIRING SYSTEM



C: i12 (GREEN)

1	2	3	4	5	6
7	8	9	10	11	12

F91 (BLACK)

4	3	2	1
8	7	6	5
12	11	10	9
16	15	14	13

B94 (BLACK)

1	2	3	4	5	6	7	8	9	10
11	12	13	14	15	16	17	18	19	20

A: i10 (GREEN)

1	2	3	4	5	6	7	8	9	10	11	12	13	14		
15	16	17	18	19	20	21	22	23	24	25	26	27	28	29	30

F45

1	2	3	4	5	6	7	8	9			
10	11	12	13	14	15	16	17	18	19	20	21
22	23	24	25	26	27	28	29	30	31	32	

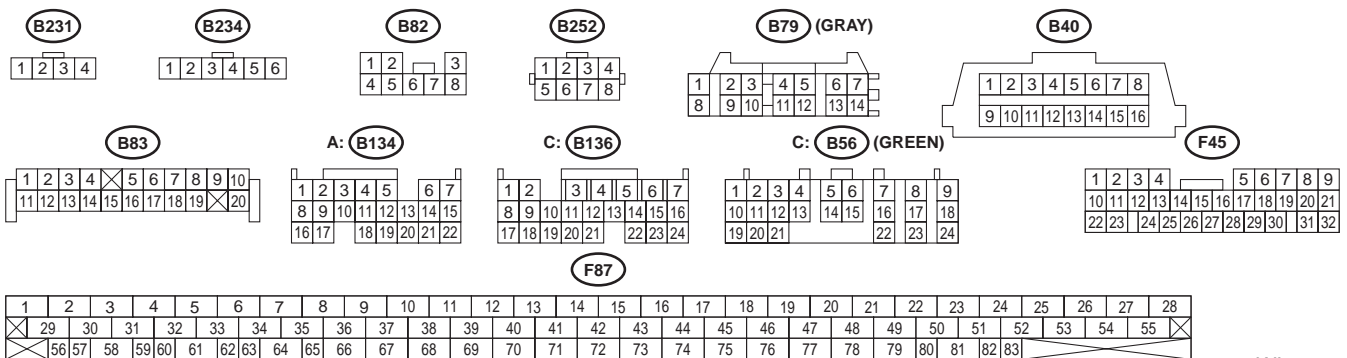
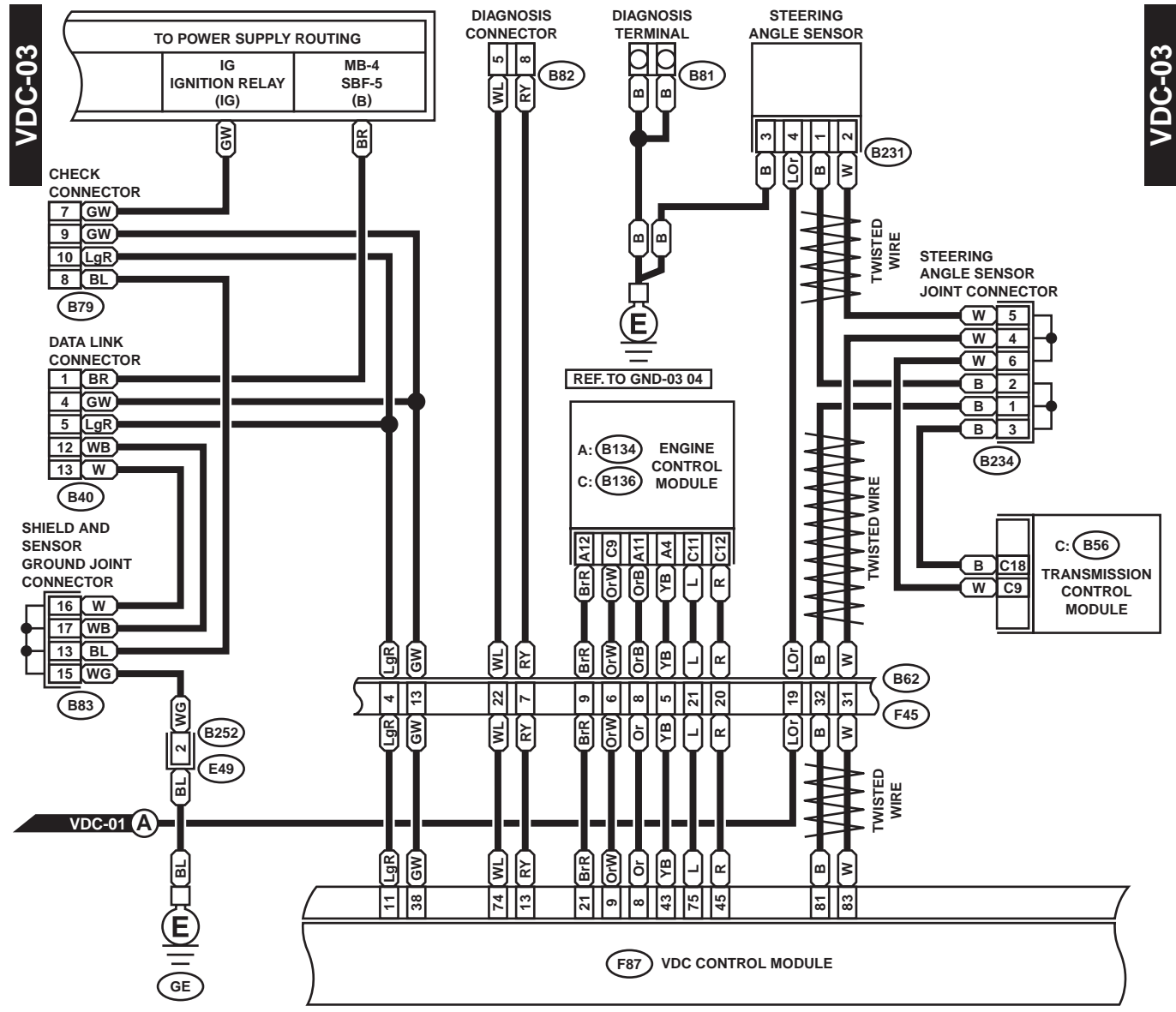
F87

1	2	3	4	5	6	7	8	9	10	11	12	13	14	15	16	17	18	19	20	21	22	23	24	25	26	27	28
29	30	31	32	33	34	35	36	37	38	39	40	41	42	43	44	45	46	47	48	49	50	51	52	53	54	55	
56	57	58	59	60	61	62	63	64	65	66	67	68	69	70	71	72	73	74	75	76	77	78	79	80	81	82	83

WI-00700

VEHICLE DYNAMIC CONTROL SYSTEM

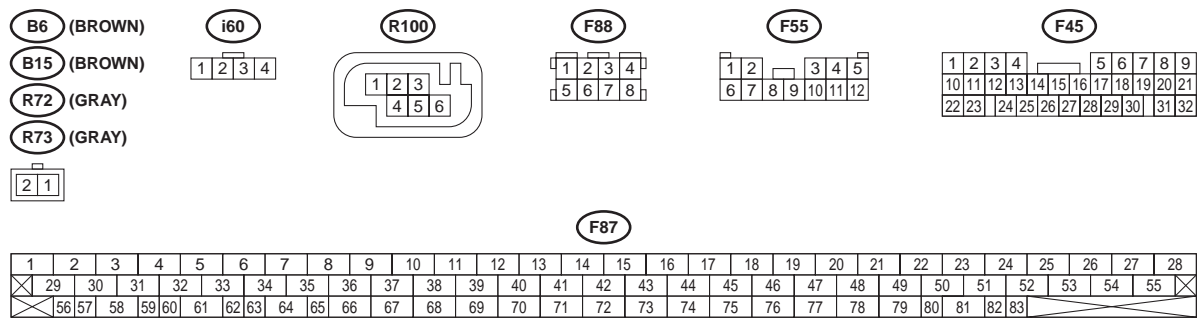
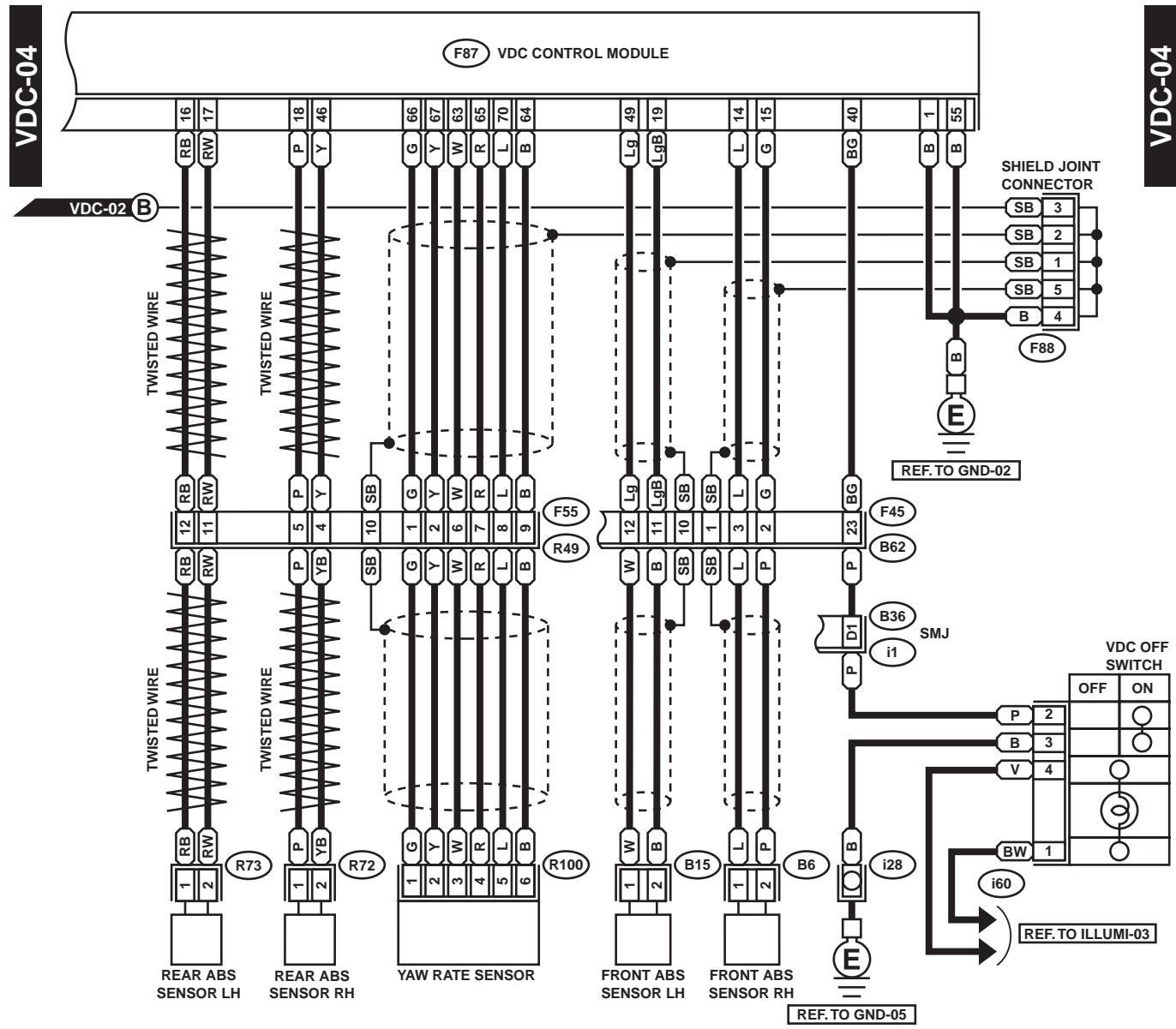
WIRING SYSTEM



WI-00701

VEHICLE DYNAMIC CONTROL SYSTEM

WIRING SYSTEM



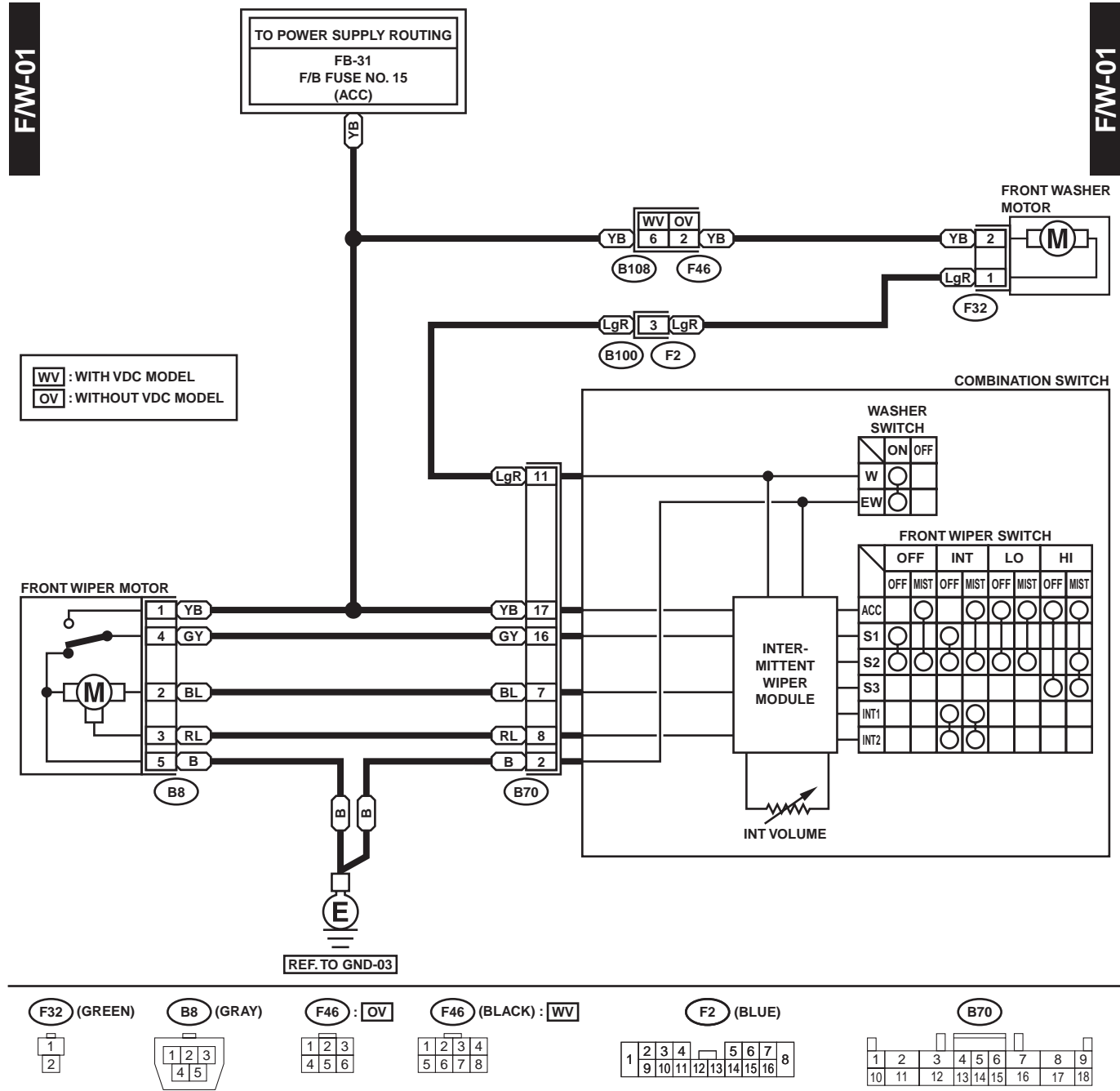
WI-00702

WIPER AND WASHER SYSTEM (FRONT)

WIRING SYSTEM

50. Wiper and Washer System (Front)

A: SCHEMATIC



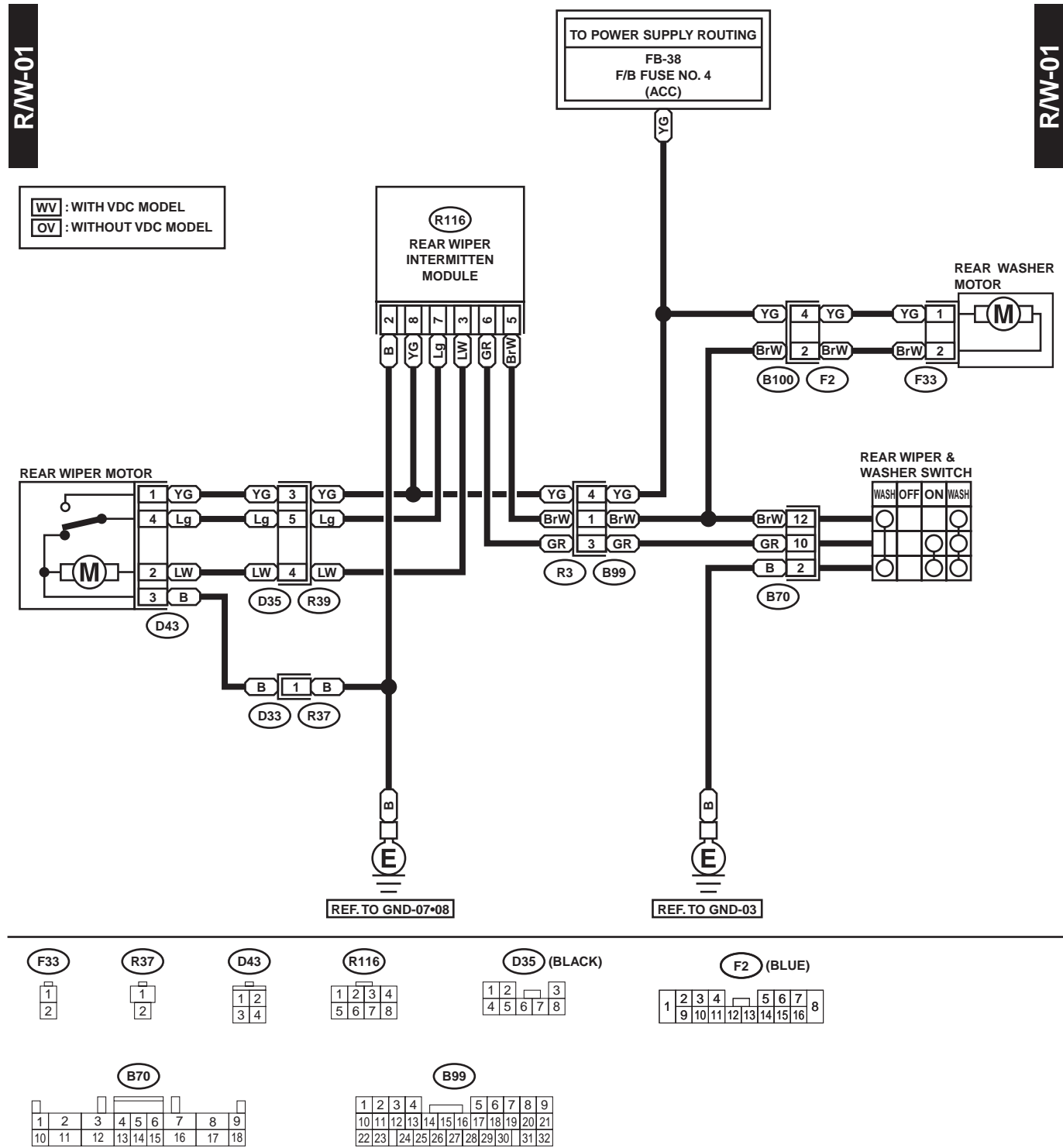
WI-00703

WIPER AND WASHER SYSTEM (REAR)

WIRING SYSTEM

51. Wiper and Washer System (Rear)

A: SCHEMATIC



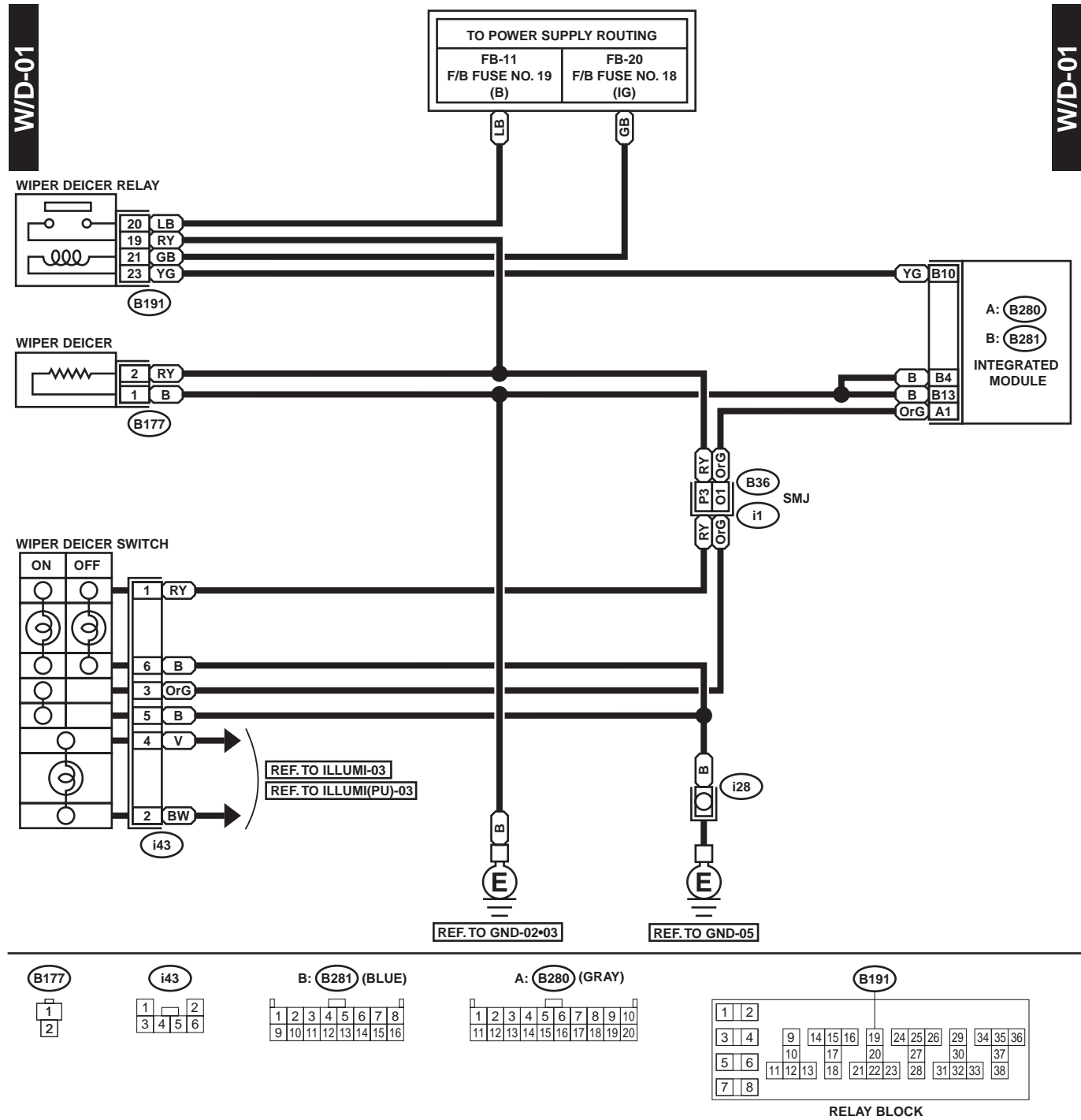
WI-00704

WIPER DEICER SYSTEM

WIRING SYSTEM

52.Wiper Deicer System

A: SCHEMATIC



WI-00705

WI-216

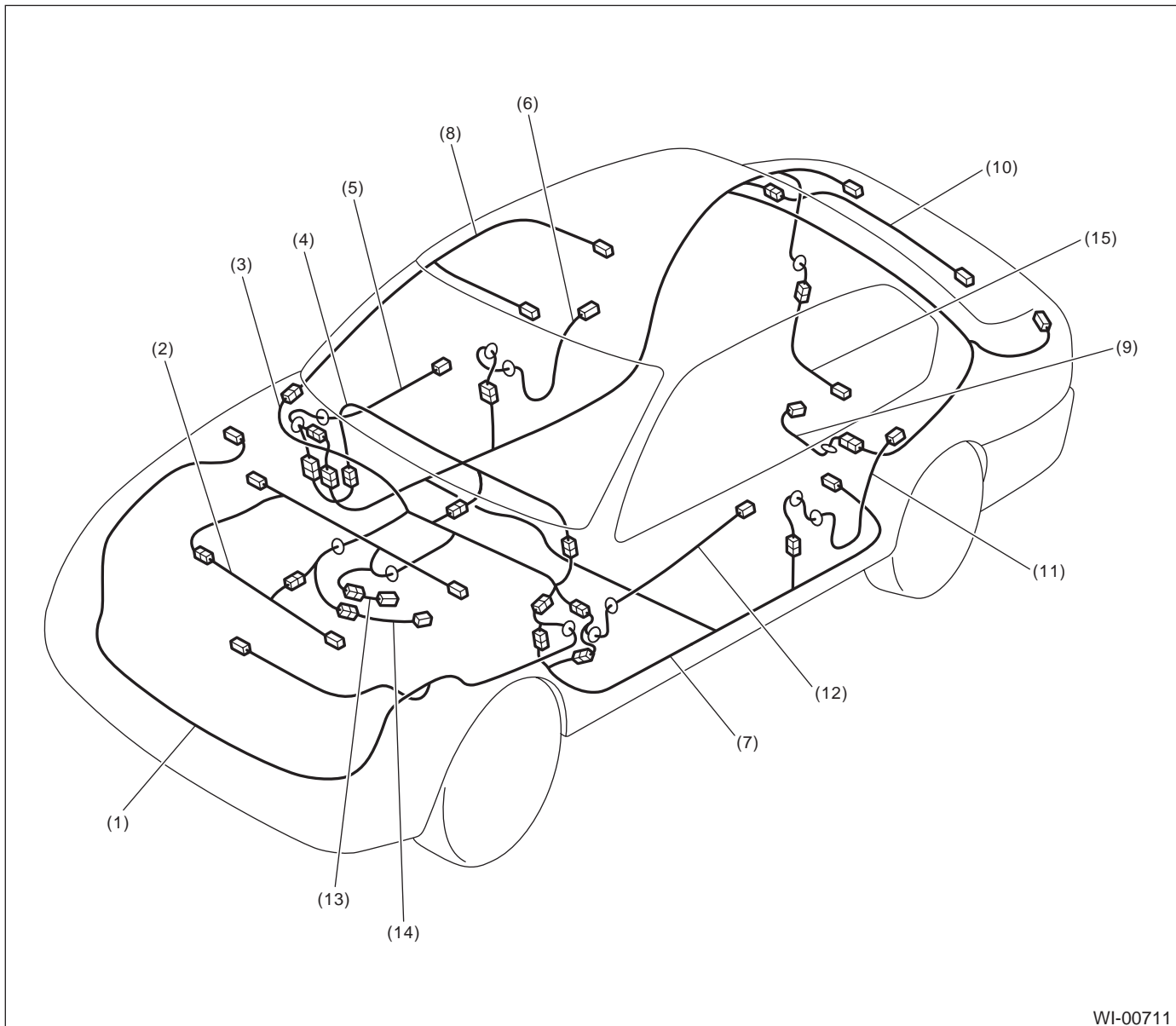
HARNESS COMPONENTS LOCATION

WIRING SYSTEM

53.Harness Components Location

A: LOCATION

1. SEDAN MODEL



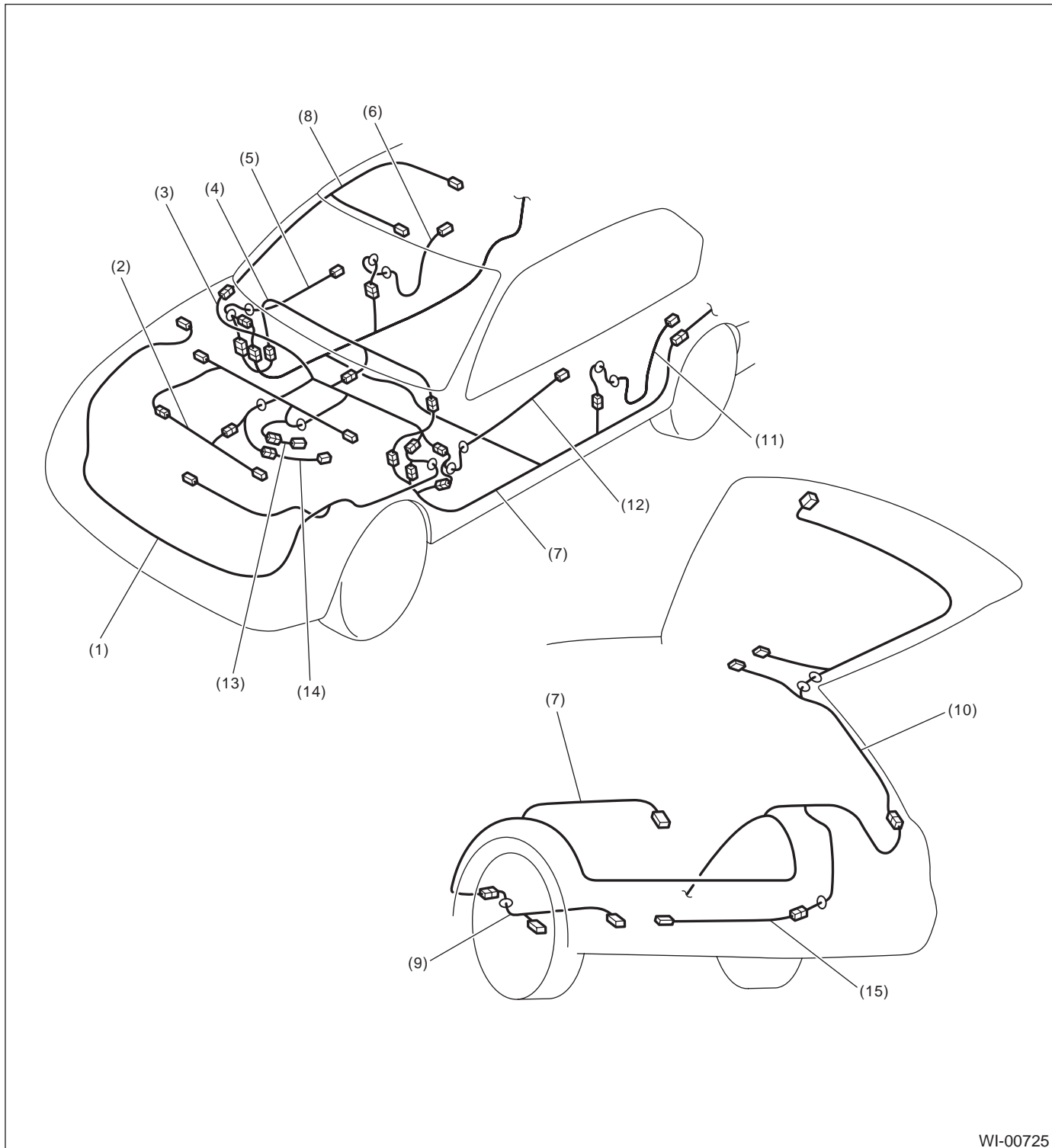
WI-00711

- | | | |
|-------------------------------------|-------------------------|---------------------------------------|
| (1) Front wiring harness | (6) Rear door cord RH | (11) Rear door cord LH |
| (2) Engine wiring harness | (7) Rear wiring harness | (12) Front door cord LH |
| (3) Bulkhead wiring harness | (8) Roof cord | (13) Transmission cord |
| (4) Instrument panel wiring harness | (9) Fuel tank cord | (14) Rear oxygen sensor cord |
| (5) Front door cord RH | (10) Trunk lid cord | (15) On refueling vapor recovery cord |

HARNESS COMPONENTS LOCATION

WIRING SYSTEM

2. WAGON MODEL



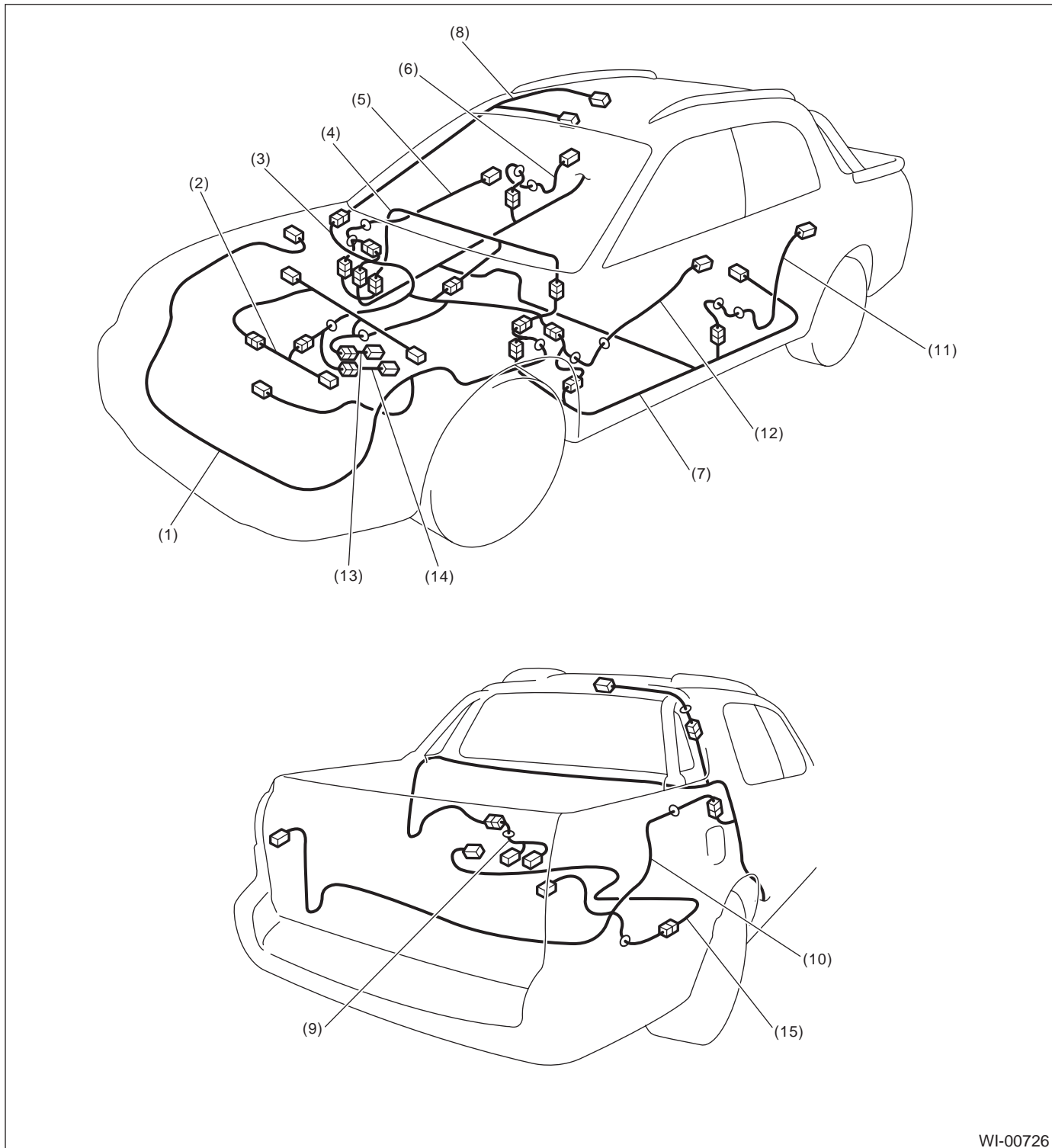
- | | | |
|-------------------------------------|-------------------------|---------------------------------------|
| (1) Front wiring harness | (6) Rear door cord RH | (11) Rear door cord LH |
| (2) Engine wiring harness | (7) Rear wiring harness | (12) Front door cord LH |
| (3) Bulkhead wiring harness | (8) Roof cord | (13) Transmission cord |
| (4) Instrument panel wiring harness | (9) Fuel tank cord | (14) Rear oxygen sensor cord |
| (5) Front door cord RH | (10) Rear gate cord | (15) On refueling vapor recovery cord |

WI-218

HARNESS COMPONENTS LOCATION

WIRING SYSTEM

3. PICK-UP MODEL



- | | | |
|-------------------------------------|---------------------------------|---------------------------------------|
| (1) Front wiring harness | (6) Rear door cord RH | (11) Rear door cord LH |
| (2) Engine wiring harness | (7) Rear wiring harness (Front) | (12) Front door cord LH |
| (3) Bulkhead wiring harness | (8) Roof cord | (13) Transmission cord |
| (4) Instrument panel wiring harness | (9) Fuel tank cord | (14) Rear oxygen sensor cord |
| (5) Front door cord RH | (10) Rear wiring harness (Rear) | (15) On refueling vapor recovery cord |

FRONT WIRING HARNESS

WIRING SYSTEM

54. Front Wiring Harness

A: LOCATION

Connector				Connecting to	
No.	Pole	Color	Area	No.	Name
F2	16	Blue	B-4	B100	Bulkhead wiring harness
F3	2	Gray	B-1		Front turn signal light upper RH
F4	3	Gray	B-1		Front clearance light RH and front turn signal light lower RH
F5	1	Black	C-1		Horn
F6	2	★	C-1		Front fog light RH
F7	3	Black	C-1		Headlight RH (2-lights)
	3	★	C-1		Headlight RH (4-lights)
F16	2	Black	C-1		Sub fan motor (4-cylinder engine model)
	4	Gray	C-1		Sub fan motor (6-cylinder engine model)
F17	2	Black	C-2		Radiator main fan motor (4-cylinder engine model)
	4	Gray	C-2		Radiator main fan motor (6-cylinder engine model)
F19	2	Gray	C-3		Front turn signal light upper LH
F21	2	★	D-3		Front fog light LH
F22	3	Gray	C-3		Front clearance light LH and front turn signal light lower LH
F23	3	Black	C-2		Headlight LH (2-lights)
	3	★	C-2		Headlight LH (4-lights)
F25	1	★	C-2		Generator
F26	3	Green	C-2		
F27	4	Black	A-3		A/C fuse (Relay holder)
F28	5	Black	A-3		A/C sub fan relay (Relay holder-4-cylinder engine model)
	5	Black	A-4		A/C sub fan relay-1 (Relay holder-6-cylinder engine model)
F29	5	Black	A-4		A/C sub fan relay-2 (Relay holder-6-cylinder engine model)
F30	5	Black	A-3		Radiator main fan relay-2 (Relay holder-6-cylinder engine model)
F31	5	Black	A-3		A/C relay (Relay holder)
F32	2	Green	B-3		Front washer motor
F33	2	★	B-3		Rear washer motor
F34	4	Black	C-3		SBF holder
F35	2	Black	B-4		M/B
F36	3	★	C-4		
F37	6	Black	C-4		
F38	1	Brown	C-4		
F39	8	Black	B-3		
F40	9	Brown	C-4		F/B
F41	7	Gray	B-4		
F44	8	Black	B-4	B61	Bulkhead wiring harness
F45	20	Gray	B-3	B62	Bulkhead wiring harness (Without VDC model)
	32	Blue	B-3	B62	Bulkhead wiring harness (VDC 6-cylinder engine model)
F46	6	★	B-3	B108	Bulkhead wiring harness (Without VDC model)
	8	★	B-3	B108	Bulkhead wiring harness (VDC 6-cylinder engine model)
F47	1	Black	C-2		Horn
F49	31	Black	B-2		ABS control module
F55	8	★	B-4	R49	Rear wiring harness (ABS)
	12	★	B-4	R49	Rear wiring harness (VDC)
F65	5	Black	A-4		Front fog light relay (Relay holder)

FRONT WIRING HARNESS

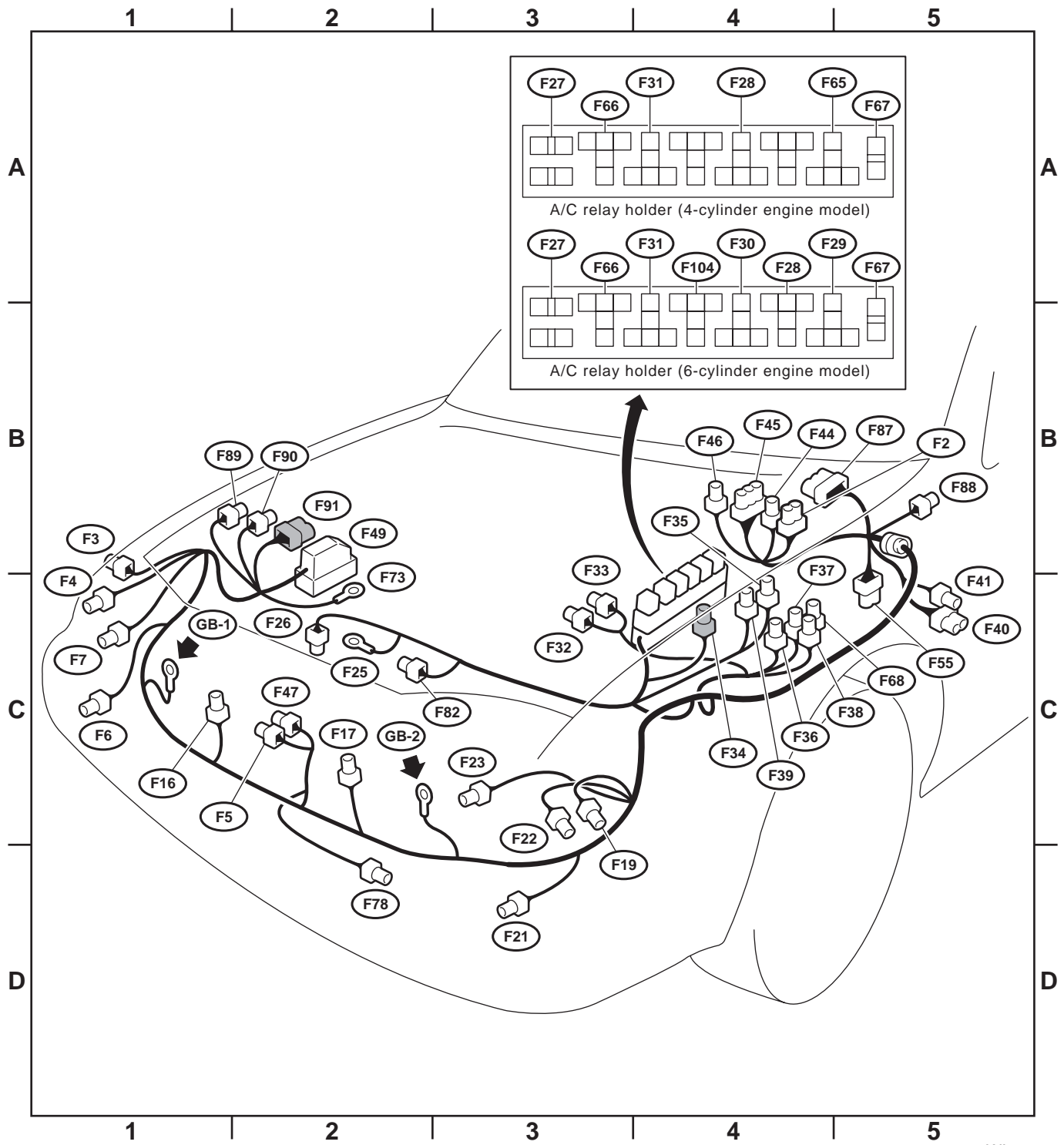
WIRING SYSTEM

Connector				Connecting to	
No.	Pole	Color	Area	No.	Name
F66	5	Black	A-3		Radiator main fan relay (Relay holder-4-cylinder engine model)
	5	Black	A-3		Radiator main fan relay-1 (Relay holder-6-cylinder engine model)
F67	2	Black	B-3		FWD switch (Relay holder without VDC model)
F68	4	Black	C-4		M/B
F73	1	★	B-2		ABS motor ground
F78	2	Black	C-2		Ambient sensor
F82	1	Black	C-2		A/C compressor (4-cylinder engine model)
	3	Black	C-2		A/C compressor (6-cylinder engine model)
F87	83	Black	B-4		VDC module
F88	8	★	B-4		Shield joint connector (VDC)
F89	2	Gray	B-1		Relay box (VDC)
F90	6	Black	B-2		
F91	16	Black	B-2		Hydraulic module (VDC)
F104	5	Black	B-2		Onstar relay-1

★: Non-colored

FRONT WIRING HARNESS

WIRING SYSTEM



WI-00727

BULKHEAD WIRING HARNESS (IN ENGINE ROOM)

WIRING SYSTEM

55. Bulkhead Wiring Harness (In Engine Room)

A: LOCATION

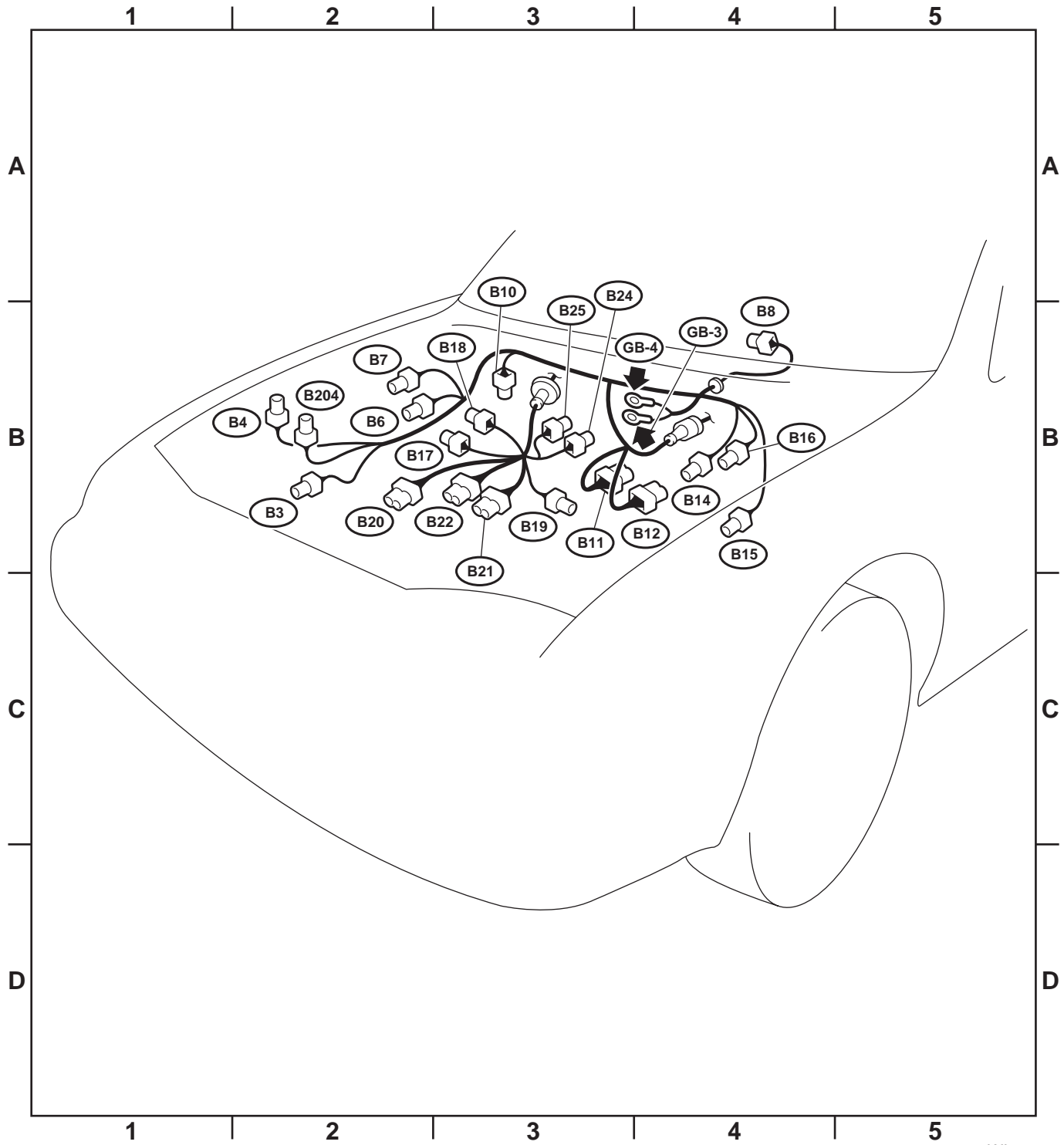
1. 4-CYLINDER ENGINE MODEL

Connector				Connecting to	
No.	Pole	Color	Area	No.	Name
B4	4	Gray	B-2		AT dropping resistor
B6	2	Brown	B-2		ABS front sensor RH (Outback model)
	2	Gray	B-2		ABS front sensor RH (Except model)
B7	6	Black	B-2		Cruise control actuator
B8	5	Gray	B-3		Front wiper motor
B10	2	Brown	B-2		A/C pressure switch
B11	20	Black	B-3	T4	Transmission (AT)
B12	12	Black	B-3	T3	
B14	1	Black	B-3		Starter (Magnet)
B15	2	Brown	B-3		ABS front sensor LH (Outback model)
	2	Gray	B-3		ABS front sensor LH (Except model)
B16	2	Gray	B-3		Brake fluid level switch
B17	3	Black	B-2		Vehicle speed sensor (MT)
B18	6	Black	B-2		Front oxygen (A/F) sensor
B19	4	Gray	B-3	T5	Rear oxygen sensor cord
B20	6	★	B-2		Engine wiring harness
B21	20	Gray	B-2	E2	Engine wiring harness
B22	16	Brown	B-2	E3	
B24	2	Gray	B-3	T1	Back-up light switch (MT)
B25	2	Brown	B-3	T2	Neutral position switch (MT)
B204	1	Black	B-2		Security horn

★: Non-colored

BULKHEAD WIRING HARNESS (IN ENGINE ROOM)

WIRING SYSTEM



WI-01056

WI-224

BULKHEAD WIRING HARNESS (IN ENGINE ROOM)

WIRING SYSTEM

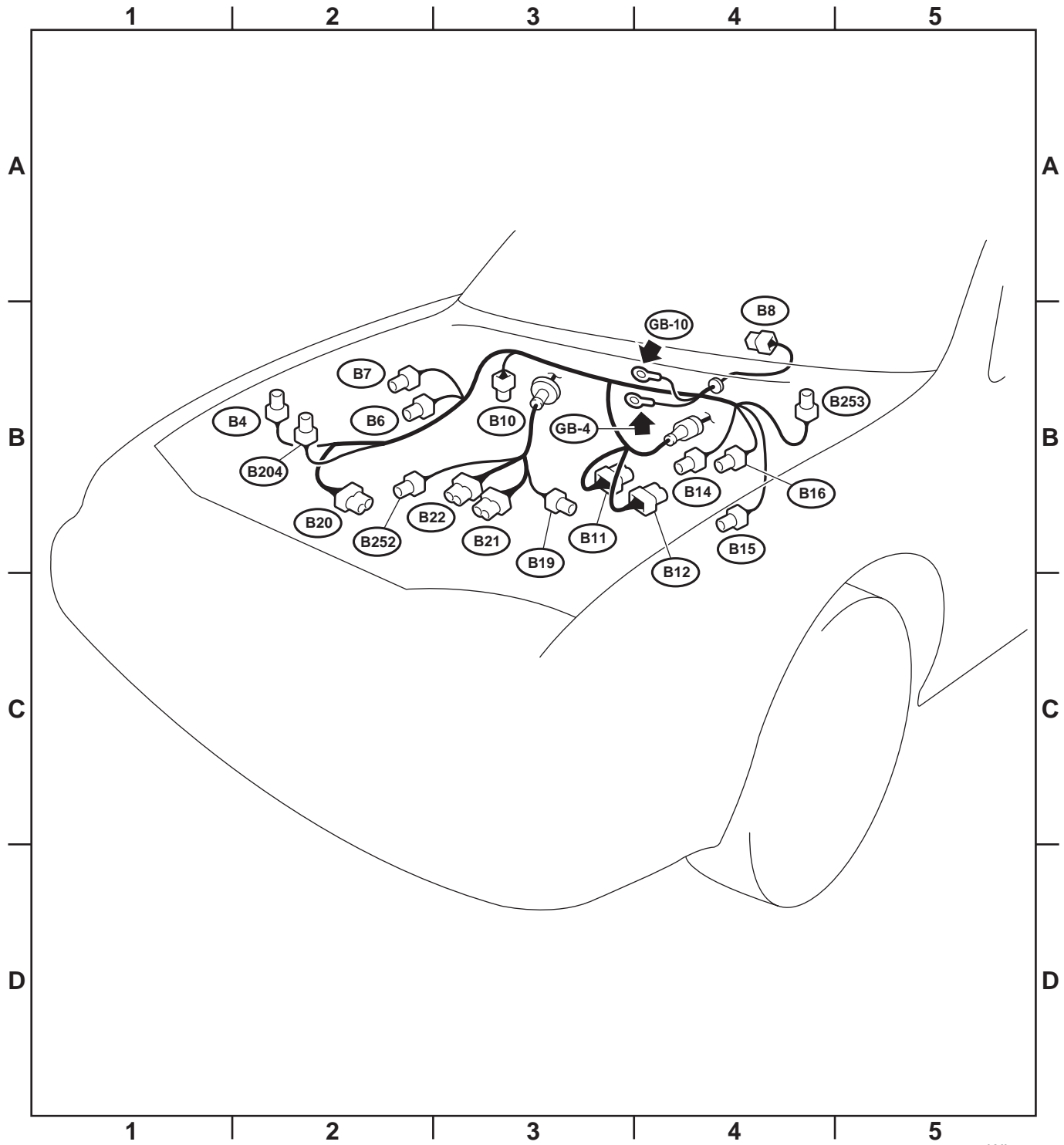
2. 6-CYLINDER ENGINE MODEL

Connector				Connecting to	
No.	Pole	Color	Area	No.	Name
B4	4	Gray	B-2		AT dropping resistor
B6	2	Brown	B-2		ABS front sensor RH
B7	6	Black	B-2		Cruise control actuator
B8	5	Gray	B-3		Front wiper motor
B10	4	★	B-2		A/C pressure switch
B11	20	Black	B-3	T4	Transmission (AT)
B12	12	Black	B-3	T3	
B14	1	Black	B-3		Starter (Magnet)
B15	2	Brown	B-3		ABS front sensor LH
B16	2	Gray	B-3		Brake fluid level switch
B19	6	★	B-3	T5	Rear oxygen sensor cord
B20	16	Gray	B-2	E1	Engine wiring harness
B21	20	Light gray	B-2	E2	
B22	16	Brown	B-2	E3	
B204	1	Black	B-2		Security horn
B252	8	Dark gray	B-2	E49	Engine wiring harness
B253	4	Gray	B-3		Fan relay

★: Non-colored

BULKHEAD WIRING HARNESS (IN ENGINE ROOM)

WIRING SYSTEM



WI-00729

WI-226

BULKHEAD WIRING HARNESS (IN COMPARTMENT)

WIRING SYSTEM

56. Bulkhead Wiring Harness (In Compartment)

A: LOCATION

1. 4-CYLINDER ENGINE MODEL

Connector				Connecting to	
No.	Pole	Color	Area	No.	Name
B30	24	★	C-1	D1	Front door cord LH
B31	12	Yellow	D-1	AB1	SRS (Airbag) harness
B32	3	Black	B-2		Turn & hazard module
B34	2	Black	B-4		Diode (Key warning)
B36	66	★	B-1		Instrument panel wiring harness (SMJ)
B40	16	★	C-1		Data link connector
B41	2	★	C-1		Power window circuit breaker
B42	5	Black	A-1		Power window (Relay block)
B46	4	Green	C-1		Fuel pump relay
B47	6	Brown	C-4		Main relay
B50	4	Black	D-1		Blower relay
B51	8	★	C-1		F/B
B52	7	★	B-1		
B53	12	Blue	B-2		Shield joint connector (AT)
B54	24	★	C-2		Transmission control module
B55	24	Gray	C-2		
B56	24	Green	C-2		Transmission control module (With Sports shift)
B57	12	★	C-2		AT shift lock control module
B59	6	★	B-1		Interrupt relay (Security)
B62	20	★	B-2	F45	Front wiring harness
B64	2	Black	B-2		Stop light switch
B65	4	Black	B-2		Stop & brake switch (With cruise control)
B68	5	Black	C-2		Cruise control sub switch
B69	4	★	D-2		Combination switch
B70	18	★	C-2		
B71	17	★	C-2		
B72	4	Blue	C-2		Ignition switch
B73	2	★	C-2		Key lock solenoid
B74	2	Black	C-2		Key warning switch
B75	2	Green	B-3	B76	Test mode connector
B76	2	Green	B-3	B75	
B77	10	Brown	B-3		Mode actuator
B79	14	Gray	C-3		Check connector
B80	8	★	C-2	i20	Instrument panel wiring harness

Connector				Connecting to	
No.	Pole	Color	Area	No.	Name
B81	1 × 2	★	C-3		Diagnosis terminal (Ground)
B82	8	★	C-3		Diagnosis connector
B83	6	★	C-4		Shield & sensor ground joint connector (E/G) (MT)
	12	Blue	C-4		Shield & sensor ground joint connector (E/G) (AT)
B86	6	Black	C-4		Blower motor resistor (M-A/C)
B87	4	★	C-4		Blower motor
B88	2	★	C-4		Evaporator thermo switch (M-A/C)
B90	3	Black	B-3	R50	Roof cord
B91	3	★	B-3	R1	FRESH/RECIRC actuator
B93	6	Black	C-4	R3	Security control module
B94	8	★	B-4		Cruise control module
B96	18	★	C-2	R48	Daytime running light relay (Relay block)
B97	20	Black	B-4		Rear wiring harness
B98	15	★	B-2		
B99	8	Black	C-2		
B100	16	★	B-2		Front wiring harness
B101	8	★	C-4	D11	Front door cord RH
B102	32	★	C-4		Daytime running light relay (Relay block)
B104	4	★	C-4		Seat heater/rear accessory power supply relay
B105	5	Black	A-2		Starter interlock relay (MT)
B106	4	★	B-1		Clutch switch (MT)
B107	4	Blue	C-1		Clutch switch (Cruise control)
B108	6	★	B-2	F46	Front wiring harness
B112	2	★	B-2		Diode (DRL)
B113	2	★	C-1	D50	Front door cord LH
B116	2	Blue	B-2		Select lever illumination light (AT)
B134	35	★	C-3		Engine control module
B135	28	★	C-3		
B136	26	★	C-3		
B137	20	★	C-4		
B152	12	★	B-1		F/B
B157	5	Black	A-1		Ignition relay (Relay block)
B158	10	Gray	C-1		F/B
B171	5	Black	A-1		Mirror heater relay (Relay block)

BULKHEAD WIRING HARNESS (IN COMPARTMENT)

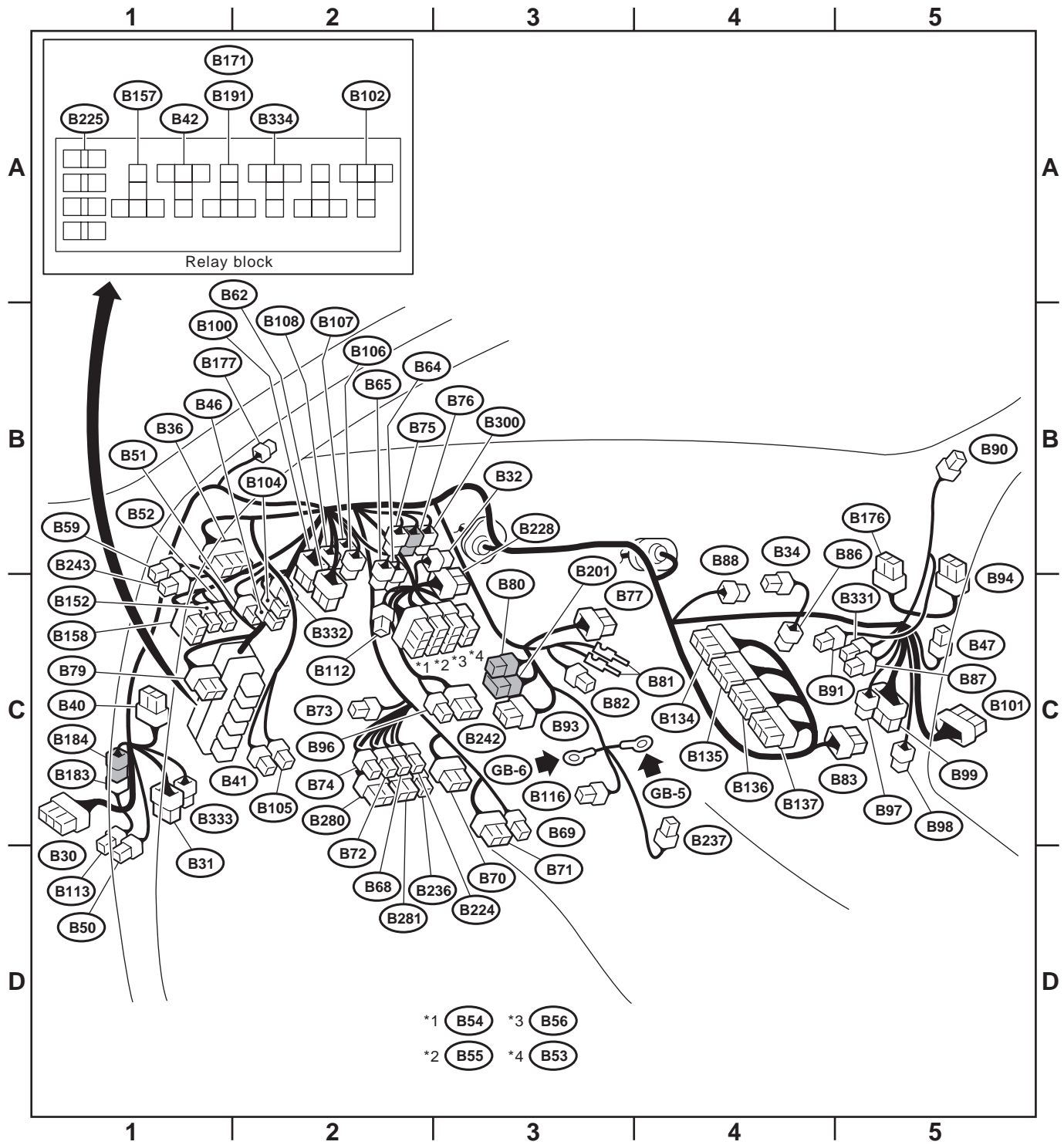
WIRING SYSTEM

Connector				Connecting to	
No.	Pole	Color	Area	No.	Name
B176	18	★	B-4		Keyless entry control module
B177	2	★	B-1		Wiper deicer
B183	1	★	C-1	B184	Joint connector (Keyless entry)
B184	1	★	C-1	B183	
B191	5	Black	A-1		Wiper deicer relay (Relay block)
B192	4	★	C-2		Wiper deicer timer
B201	10	★	C-2	i40	Instrument panel wiring harness
B201	16	★	C-2	i40	Instrument panel wiring harness (Pick-up)
B201	22	★	C-2	i40	Instrument panel wiring harness (A-A/C)
B224	2	★	C-2		Key switch light
B225	8	Black	A-1		Fuse (Relay block)
B228	15	★	B-2		OP connector
B236	5	★	C-2		Sports shift switch
B237	6	★	C-3		Sports shift switch (AT)
B242	10	★	C-2		Daytime running light control module
B243	6	Black	B-1		Security horn relay
B280	20	Gray	C-2		Integrated module
B281	16	Blue	C-2		Integrated module
B300	6	★	B-2		Line end check connector
B331	2	★	C-4		Diode (Baja light) (Pick-up)
B332	4	★	C-1		Baja light relay (Pick-up)
B333	8	★	C-1		Stop & turn module (Pick-up)
B334	5	Black	A-2		Cargo light relay (Relay block) (Pick-up)

★: Non-colored

BULKHEAD WIRING HARNESS (IN COMPARTMENT)

WIRING SYSTEM



WI-01069

BULKHEAD WIRING HARNESS (IN COMPARTMENT)

WIRING SYSTEM

2. 6-CYLINDER ENGINE MODEL

Connector				Connecting to	
No.	Pol e	Color	Area	No.	Name
B30	24	★	C-1	D1	Front door cord LH
B31	12	Yellow	D-1	AB1	SRS (Airbag) harness
B32	3	Black	B-2		Turn & hazard module
B34	2	Black	B-4		Diode (Key wiring)
B36	66	★	B-1	i1	Instrument panel wiring harness (SMJ)
B40	16	★	C-1		Data link connector
B41	2	★	C-1		Power window circuit breaker
B42	5	Black	A-1		Power window relay (Relay block)
B46	4	Green	C-1		Fuel pump relay
B47	6	Brown	C-4		Main relay
B48	5	Black	A-2		Front fog light relay (Relay block)
B50	4	Black	D-1		Blower relay
B51	8	★	C-1		F/B
B52	7	★	B-1		
B53	12	Blue	B-2		Shield joint connector (AT) (ABS)
B53	12	Black	B-2		Shield joint connector (AT) (VDC)
B54	24	★	C-2		Transmission control module
B55	24	Gray	C-2		
B56	24	Green	C-2		Transmission control module (VDC)
B59	5	★	C-2		Interrupt relay (Security) (With Onstar)
B59	6	★	B-1		Interrupt relay (Security) (Without Onstar)
B61	8	★	B-2	F44	Front wiring harness
B61	8	★	B-2	F44	Front wiring harness (VDC)
B62	20	★	B-2	F45	Front wiring harness (ABS)
B62	32	Blue	B-2	F45	Front wiring harness (VDC)
B65	4	Black	B-2		Stop & brake switch (With cruise control)
B68	5	Black	C-2		Cruise control sub switch
B69	4	★	D-2		Combination switch
B70	18	★	C-2		
B71	17	★	C-2		
B72	4	Blue	C-2		Ignition switch
B73	2	★	C-2		Key lock solenoid
B74	2	Black	C-2		Key warning switch
B75	2	Green	B-3	B76	Test mode connector
B76	2	Green	B-3	B75	

Connector				Connecting to	
No.	Pol e	Color	Area	No.	Name
B77	10	Brown	B-3		Mode actuator
B79	14	Gray	C-1		Check connector
B80	8	★	C-2	i20	Instrument panel wiring harness
B81	1 × 2	★	C-3		Diagnosis terminal (Ground)
B82	8	★	C-3		Diagnosis connector
B83	20	★	C-4		Shield & sensor ground joint connector (E/G)
B86	4	★	B-4		Blower motor resistor
B87	2	★	C-4		Blower motor
B88	3	★	B-3		Evaporator thermostat
B90	6	★	B-5	R50	Roof cord (Without Onstar)
B90	8	★	B-5	R50	Roof cord (With Onstar)
B91	6	Black	C-4		FRESH/RECIRC actuator
B93	18	★	C-2		Security control module
B94	20	Black	B-4		Cruise control module
B95	4	★	C-2		Diode (DRL & Onstar)
B96	8	Black	C-2		Daytime running light control module
B97	8	★	C-4	R1	Rear wiring harness
B98	4	★	C-4	R2	
B99	32	★	C-4	R3	
B100	16	★	B-2	F2	Front wiring harness
B101	24	★	C-4	D11	Front door cord RH
B102	5	Black	A-2		Daytime running light relay (Relay block)
B104	4	★	B-1		Seat heater/rear accessory power supply relay
B108	8	★	B-2	F46	Front wiring harness (ABS)
B108	6	★	B-2	F46	Front wiring harness (VDC)
B112	2	Black	C-2		Diode (DRL)
B113	2	★	C-1	D50	Front door cord LH
B116	6	★	C-3		Select lever illumination light (AT)
B123	2	Black	C-4	R48	Rear wiring harness (Mcintosh audio)
B134	22	★	C-3		Engine control module
B135	28	★	C-3		
B136	24	★	C-3		
B137	31	★	C-4		
B152	12	★	B-1		F/B

BULKHEAD WIRING HARNESS (IN COMPARTMENT)

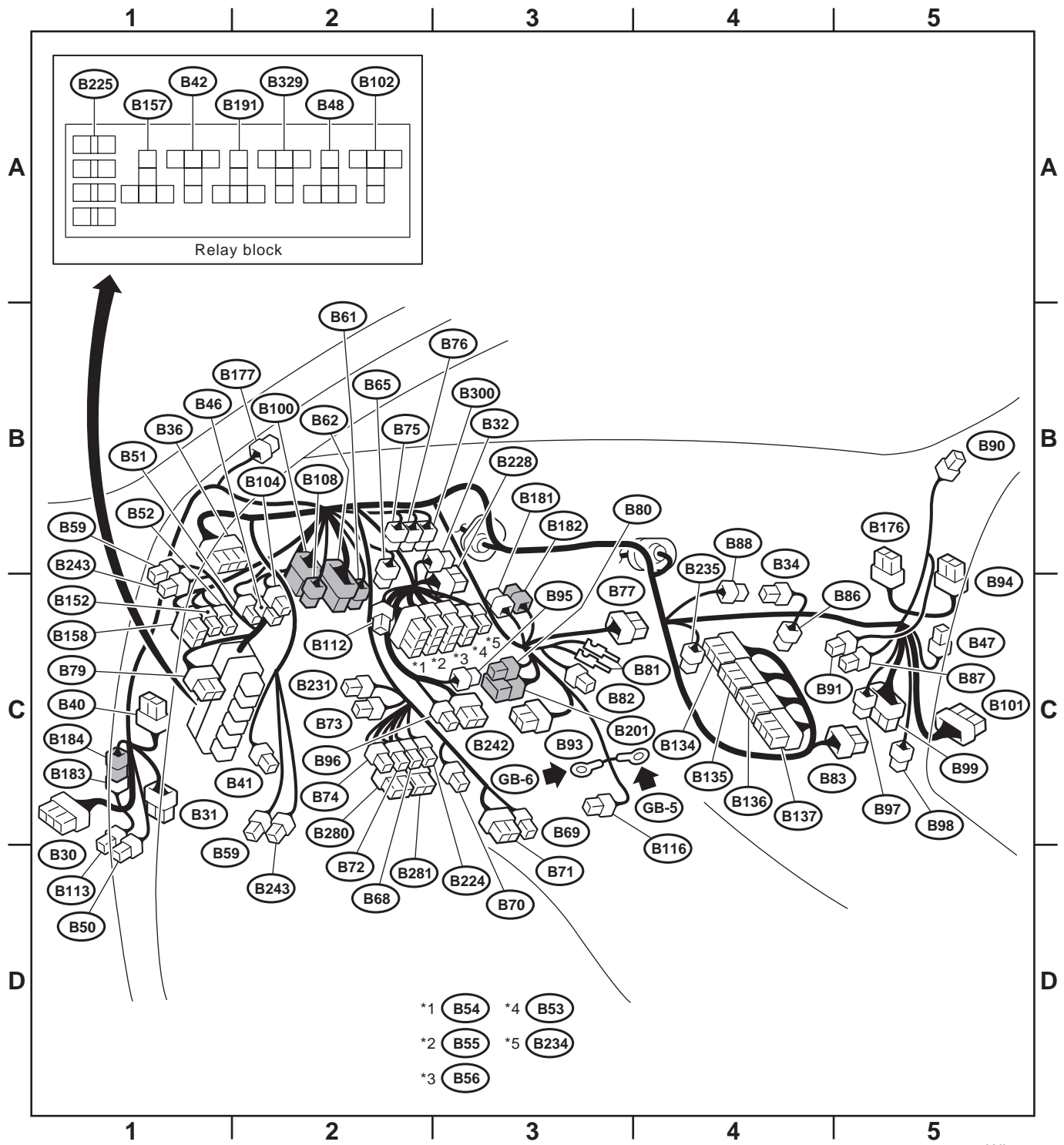
WIRING SYSTEM

Connector				Connecting to	
No.	Pole	Color	Area	No.	Name
B157	5	Black	A-1		Ignition relay (Relay block)
B158	10	Gray	C-1		F/B
B176	18	★	B-4		Keyless entry control module
B177	2	★	B-1		Wiper deicer
B181	1	★	C-2	B182	Fan ground joint connector
B182	1	★	C-2	B181	Fan ground joint connector
B183	1	★	C-1	B184	Joint connector (Keyless entry)
B184	1	★	C-1	B183	
B191	5	Black	A-1		Wiper deicer relay (Relay block)
B192	4	★	C-2		Wiper deicer timer
B201	10	★	C-2	i40	Instrument panel wiring harness
B224	2	★	C-2		Key switch light
B225	8	Black	A-1		Fuse (Relay block)
B228	15	★	B-2		OP connector
B231	4	★	C-2		Steering angle sensor (VDC)
B234	6	★	C-2		Joint connector (VDC)
B235	6	Black	C-3		Air mix actuator
B242	10	★	C-2		Daytime running light control module
B243	5	Black	B-1		Security relay (With Onstar)
	6	Black	B-1		Security relay (Without Onstar)
B280	20	Gray	C-2		Integrated module
B281	16	Blue	C-2		Integrated module
B300	6	★	C-2		Line end check connector
B329	5	★	A-1		Onstar relay (Relay block)

★: Non-colored

BULKHEAD WIRING HARNESS (IN COMPARTMENT)

WIRING SYSTEM



WI-00731

ENGINE WIRING HARNESS AND TRANSMISSION CORD

WIRING SYSTEM

57.Engine Wiring Harness and Transmission Cord

A: LOCATION

1. 4-CYLINDER ENGINE MODEL

Connector				Connecting to	
No.	Pole	Color	Area	No.	Name
E1	6	★	A-4	B20	Bulkhead wiring harness
E2	20	★	A-2	B21	Bulkhead wiring harness
E3	16	Brown	A-2	B22	Bulkhead wiring harness
E4	2	★	A-2		Purge control solenoid valve
E5	2	★	B-1		Injector #1
E6	2	★	A-2		Injector #3
E7	6	★	A-3		Idle air control solenoid valve
E8	3	★	B-2		Engine coolant temperature sensor and thermometer
E10	2	★	B-2		Crankshaft position sensor
E11	1	★	B-2		Oil pressure switch
E12	4	★	A-2		Ignition coil and ignitor
E13	4	★	A-3		Throttle position sensor
E14	2	★	B-3		Knock sensor
E15	2	★	B-3		Camshaft position sensor
E16	2	★	B-3		Injector #2
E17	2	★	B-4		Injector #4
E18	6	★	A-4		EGR valve solenoid
E19	1	★	B-2		Power steering oil pressure switch
E20	2	★	A-3		Intake air temperature sensor
E21	3	★	A-3		Pressure sensor
E42	2	★	A-3		Air assist injector solenoid valve

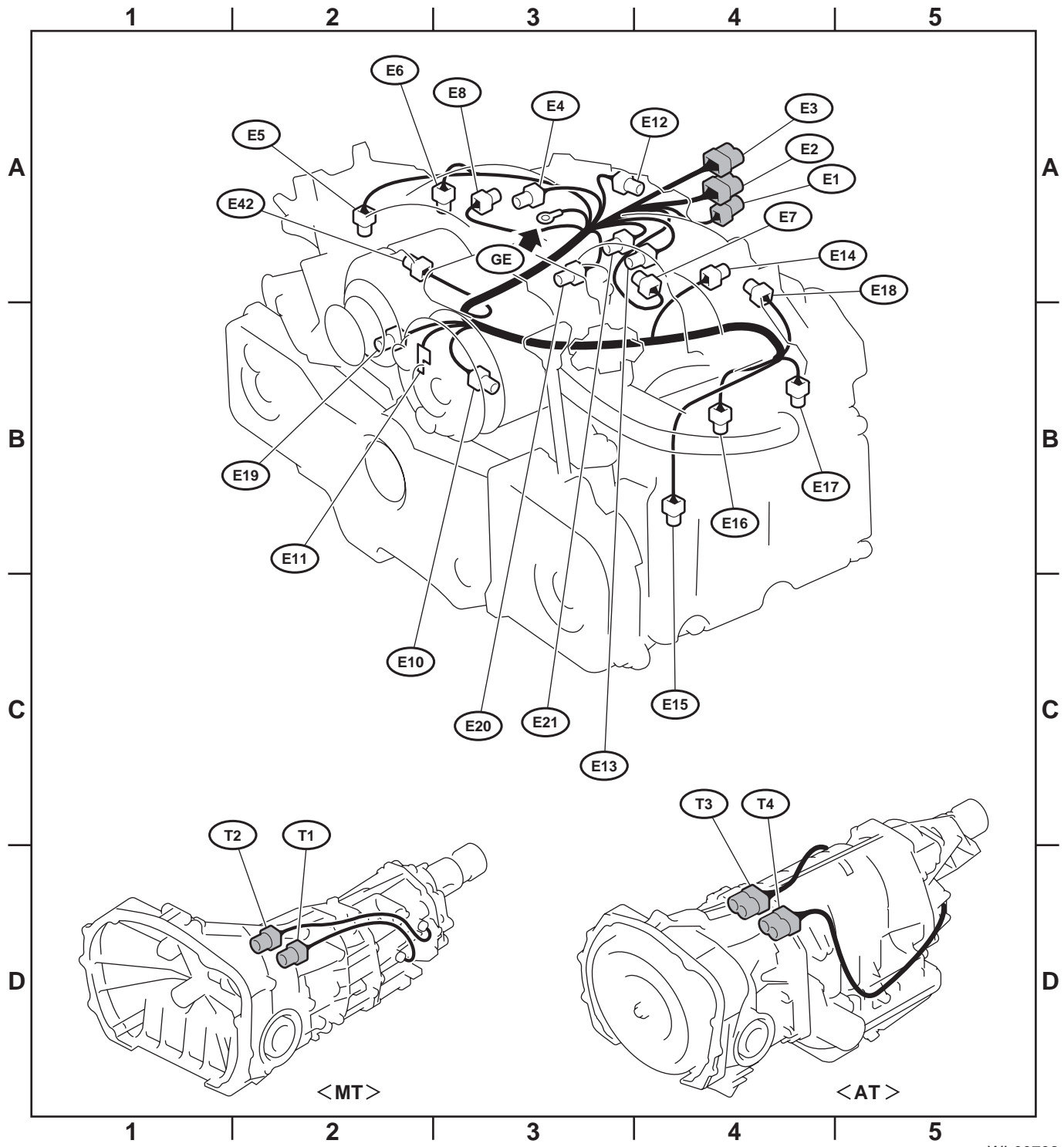
★: Non-colored

Connector				Connecting to	
No.	Pole	Color	Area	No.	Name
T1	2	★	D-2	B24	Bulkhead wiring harness (MT)
T2	2	★	D-2	B25	
T3	12	★	D-3	B12	Bulkhead wiring harness (AT)
T4	20	Black	D-3	B11	
T5	4	Gray	C-2	B19	Bulkhead wiring harness
T6	4	Gray	D-4		Rear oxygen sensor
T7	12	★	C-4		Inhibitor switch

★: Non-colored

ENGINE WIRING HARNESS AND TRANSMISSION CORD

WIRING SYSTEM



WI-00732

ENGINE WIRING HARNESS AND TRANSMISSION CORD

WIRING SYSTEM

2. 6-CYLINDER ENGINE MODEL

Connector				Connecting to	
No.	Pole	Color	Area	No.	Name
E1	16	Gray	A-2	B20	Bulkhead wiring harness
E2	20	Light gray	B-3	B21	
E3	16	Brown	B-3	B22	
E4	2	Black	A-2		Purge control solenoid valve
E5	2	Gray	B-2		Fuel injector No. 1
E6	2	Gray	B-2		Fuel injector No. 3
E7	3	Gray	A-3		Idle speed control solenoid valve
E8	3	Light gray	C-3		Engine coolant temperature sensor and thermometer
E10	2	Gray	B-3		Crankshaft position sensor
E11	1	★	C-2		Oil pressure switch
E13	3	Black	A-3		Throttle position sensor
E14	2	Blue	B-3		Knock sensor-1
E15	3	Gray	B-2		Camshaft position sensor
E16	2	Gray	B-3		Fuel injector No. 2
E17	2	Gray	B-3		Fuel injector No. 4
E18	6	Dark gray	A-3		EGR solenoid valve
E19	1	★	C-2		Power steering oil pressure switch
E20	2	Black	A-3		Intake air temperature sensor
E21	3	Black	A-2		Pressure sensor
E24	4	Dark gray	C-3		Front oxygen (A/F) sensor LH
E30	2	Brown	A-2		Induction valve control solenoid
E31	3	Black	B-2		Ignition coil No. 1
E32	3	Black	C-3		Ignition coil No. 2
E33	3	★	C-2		Ignition coil No. 3
E34	3	★	C-4		Ignition coil No. 4
E43	2	Gray	B-2		Fuel injector No. 5
E44	2	Gray	B-4		Fuel injector No. 6
E45	3	Black	B-2		Ignition coil No. 5
E46	3	Black	C-4		Ignition coil No. 6
E47	4	Dark gray	B-2		Front oxygen (A/F) sensor RH
E48	2	Blue	C-3		Knock sensor-2
E49	8	Dark gray	B-3	B252	Bulkhead wiring harness

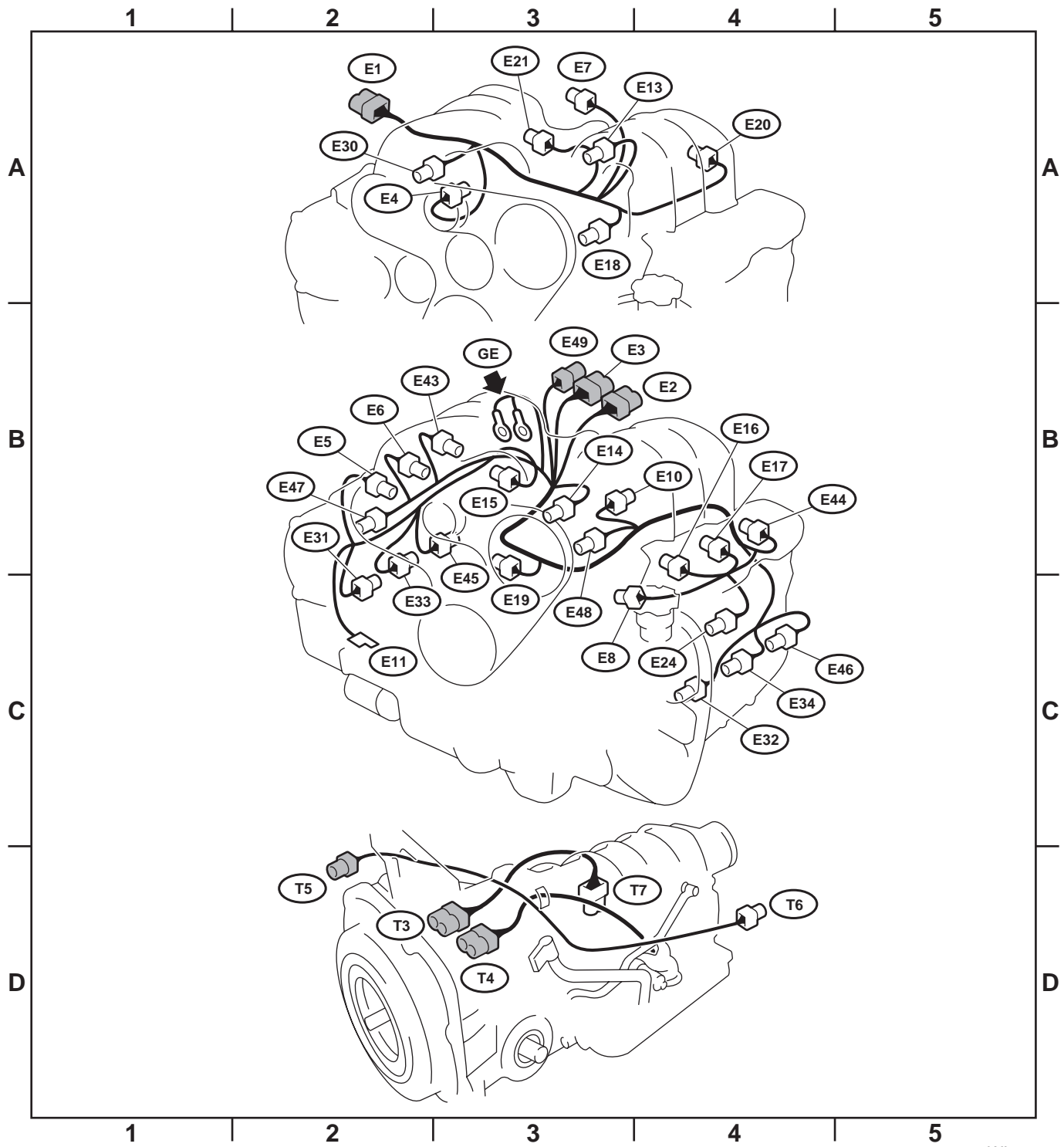
★: Non-colored

Connector				Connecting to	
No.	Pole	Color	Area	No.	Name
T3	12	Black	D-2	B12	Bulkhead wiring harness
T4	20	Black	D-2	B11	
T5	6	★	D-2	B19	Bulkhead wiring harness
T6	4	★	D-3		Rear oxygen sensor
T7	12	★	D-3		Inhibitor switch

★: Non-colored

ENGINE WIRING HARNESS AND TRANSMISSION CORD

WIRING SYSTEM



WI-00734

INSTRUMENT PANEL WIRING HARNESS

WIRING SYSTEM

58. Instrument Panel Wiring Harness

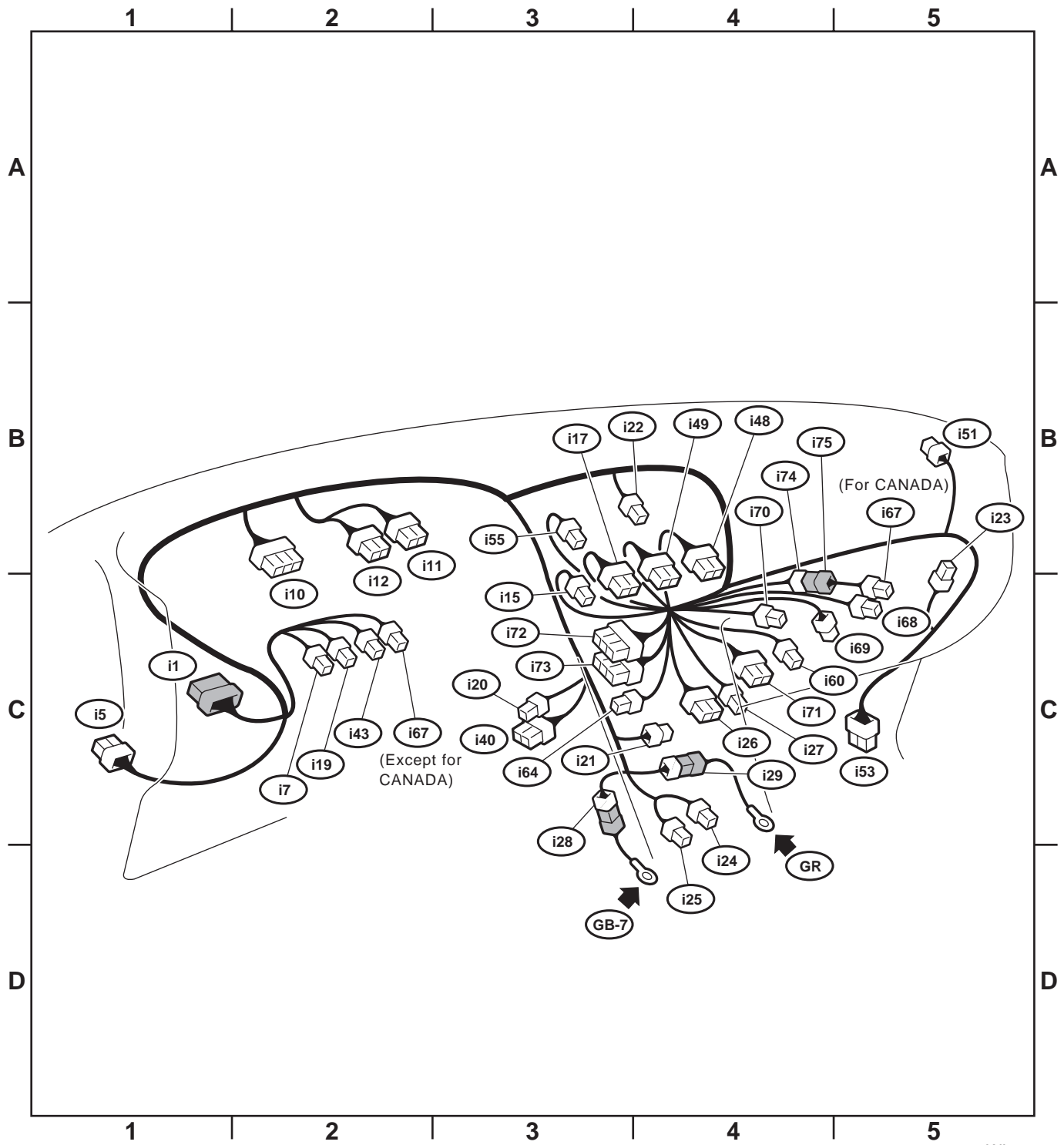
A: LOCATION

Connector				Connecting to	
No.	Pole	Color	Area	No.	Name
i1	66	★	C-1	B36	Bulkhead wiring harness (SMJ)
i5	12	★	C-1		F/B
i7	6	Yellow	C-2		Front fog light switch
i10	30	Green	B-2		Combination meter
i11	16	Green	B-2		
i12	14	Green	B-2		
i15	6	★	B-3		Mode control panel (Heater control)
i17	20	Gray	B-3		
i19	6	Brown	C-2		Cruise control main switch
i20	8	★	C-2	B80	Bulkhead wiring harness (Manual A/C)
i21	2	★	C-3		Ash tray illumination light
i22	8	★	B-3		Hazard switch
i23	2	★	B-4		Glove box illumination light
i24	2	★	C-3		Cigarette lighter
i25	3	★	C-3		Cigarette lighter illumination light
i26	14	★	C-3		Radio
i27	2	★	C-3		CD player illumination light
i28	1	Black	C-3		Body ground
i29	1	Black	C-3		Body ground (Radio)
i40	10	★	C-2	B201	Bulkhead wiring harness (Manual A/C)
	22	★	C-2	B201	Bulkhead wiring harness (Auto A/C) (Onstar)
	16	★	C-2	B201	Bulkhead wiring harness (Pick-up)
i43	6	★	C-2		Wiper deicer switch
i48	16	Gray	B-3		Auto A/C control module
i49	20	Gray	B-3		
i51	2	Black	B-4		Sunload sensor (Auto A/C)
i53	16	Blue	C-4	R98	Rear wiring harness
i55	2	★	B-3		In-vehicle temperature sensor (Auto A/C)
i60	4	★	C-4		VDC off switch
i64	8	★	C-3		PREMIUM Audio
i67	6	Gray	B-4		Cargo Light switch (For CANADA)
i67	6	Gray	C-2		Cargo Light switch (Except For CANADA)
i68	6	Gray	C-4		Baja Light
i69	4	★	C-4		Onstar switch 1
i70	3	★	C-3		Onstar switch 2
i71	14	★	C-3		Vehicle interface module
i72	32	Red	C-3		Vehicle interface module
i73	32	Blue	C-3		Vehicle interface module
i74	6	★	C-4	i75	Cargo Light switch adapter cord
i75	6	★	C-4	i74	Cargo Light switch adapter cord

★: Non-colored

INSTRUMENT PANEL WIRING HARNESS

WIRING SYSTEM



WI-00735

REAR WIRING HARNESS

WIRING SYSTEM

59.Rear Wiring Harness

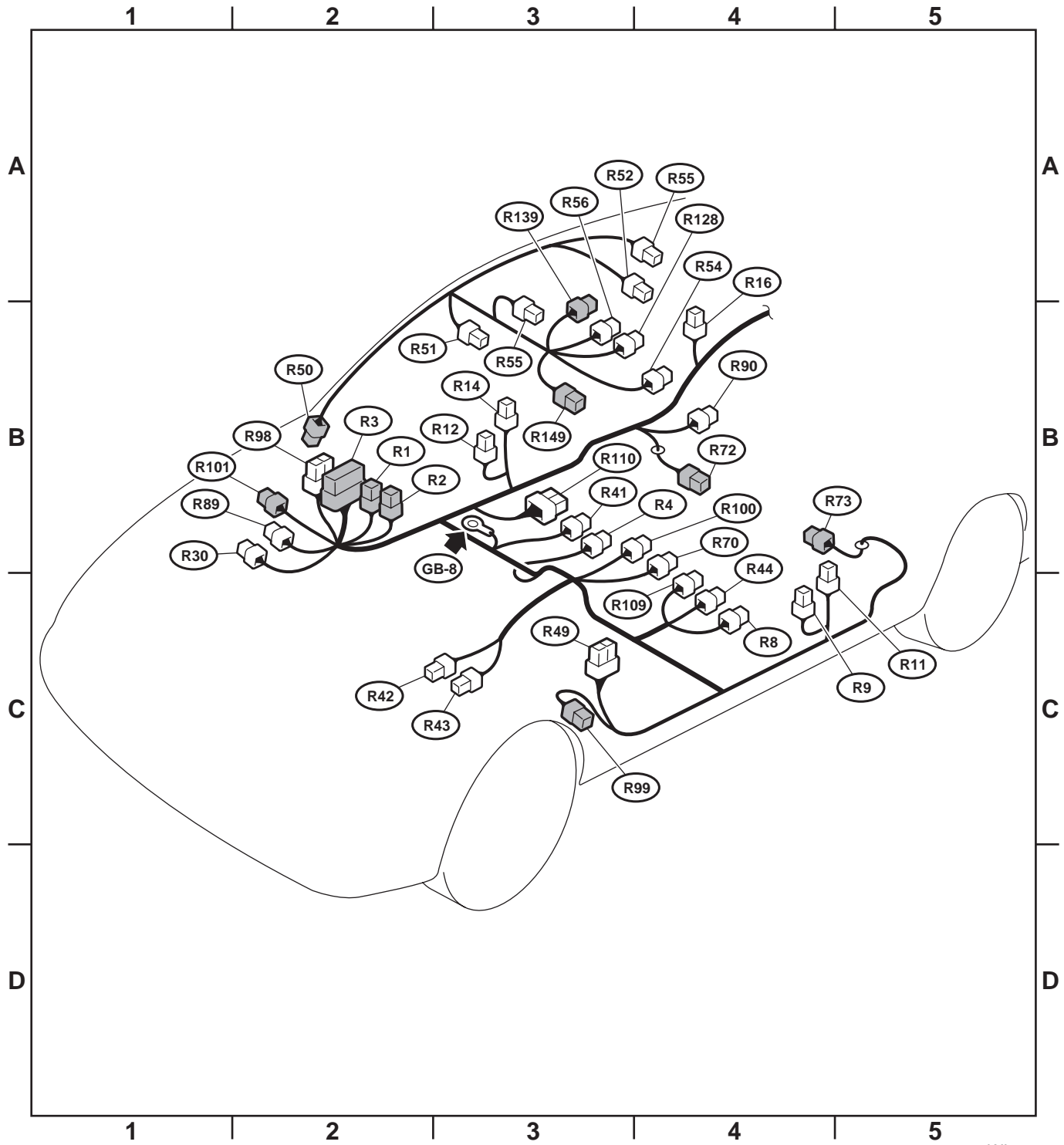
A: LOCATION

Connector				Connecting to	
No.	Pole	Color	Area	No.	Name
R1	8	★	B-2	B97	Bulkhead wiring harness
R2	2	Black	B-2	B98	Bulkhead wiring harness
	4	★	B-2	B98	Bulkhead wiring harness (Sedan) (F.P.C.)
	8	★	B-2	B98	Bulkhead wiring harness (Pick-up)
R3	32	★	B-2	B99	Bulkhead wiring harness
R4	1	Black	B-2		Parking brake switch
R8	2	★	C-3		Seat belt switch
R9	3	★	C-4		Front door switch LH
R11	8	★	B-4	D21	Rear door cord LH
R12	3	★	B-2		Front door switch RH
R14	8	★	B-2	D27	Rear door cord RH
R16	3	Black	B-3		Rear door switch RH (Sedan & Wagon)
R30	2	★	B-2		Diode (Rear gate)
R41	4	Blue	B-3		Seat heater RH
R42	6	★	B-3		Seat heater switch RH
R43	6	Blue	B-3		Seat heater switch LH
R44	4	Blue	C-3		Seat heater LH
R48	2	Black	C-2	B123	Bulkhead wiring harness
R49	8	★	C-3	F55	Front wiring harness (ABS)
	12	★	C-3	F55	Front wiring harness (VDC)
R50	6	★	B-2	B90	Bulkhead wiring harness (Without Onstar)
	8	★	B-2	B90	Bulkhead wiring harness (With Onstar)
R51	2	Black	B-2		Vanity mirror illumination light RH
R52	3	★	B-3		Room light
R54	2	Black	B-3		Vanity mirror illumination light LH
R55	1	★	B-2		Sunroof (Sedan) (Pick-up)
	8	★	A-3		Sunroof control module (Wagon)
R56	2	★	B-3		Spot light
R70	3	★	C-2		ABS G sensor
R72	2	Gray	B-3		Rear ABS sensor RH
R73	2	Gray	B-4		Rear ABS sensor LH
R89	8	★	B-2		Speaker joint connector LH (Without McIntosh audio)
R90	8	★	B-3		Speaker joint connector RH (With McIntosh audio)
R98	16	Blue	B-2	i53	Instrument panel wiring harness
R99	2	★	C-3	D68	Front door cord LH (Mcintosh audio)
R100	6	★	C-2		Yaw rate sensor (VDC)
R101	2	★	B-2	D69	Front door cord RH (Mcintosh audio)
R109	2	Black	C-3		Power seat motor
R110	14	★	B-2		Power amplifier (Mcintosh audio)
R128	5	★	B-3		Sunroof switch (Wagon)
R139	3	★	B-3		Compass mirror
R149	2	★	B-3		Microphone

★: Non-colored

REAR WIRING HARNESS

WIRING SYSTEM



WI-00736

WI-240

DOOR CORD

WIRING SYSTEM

60.Door Cord

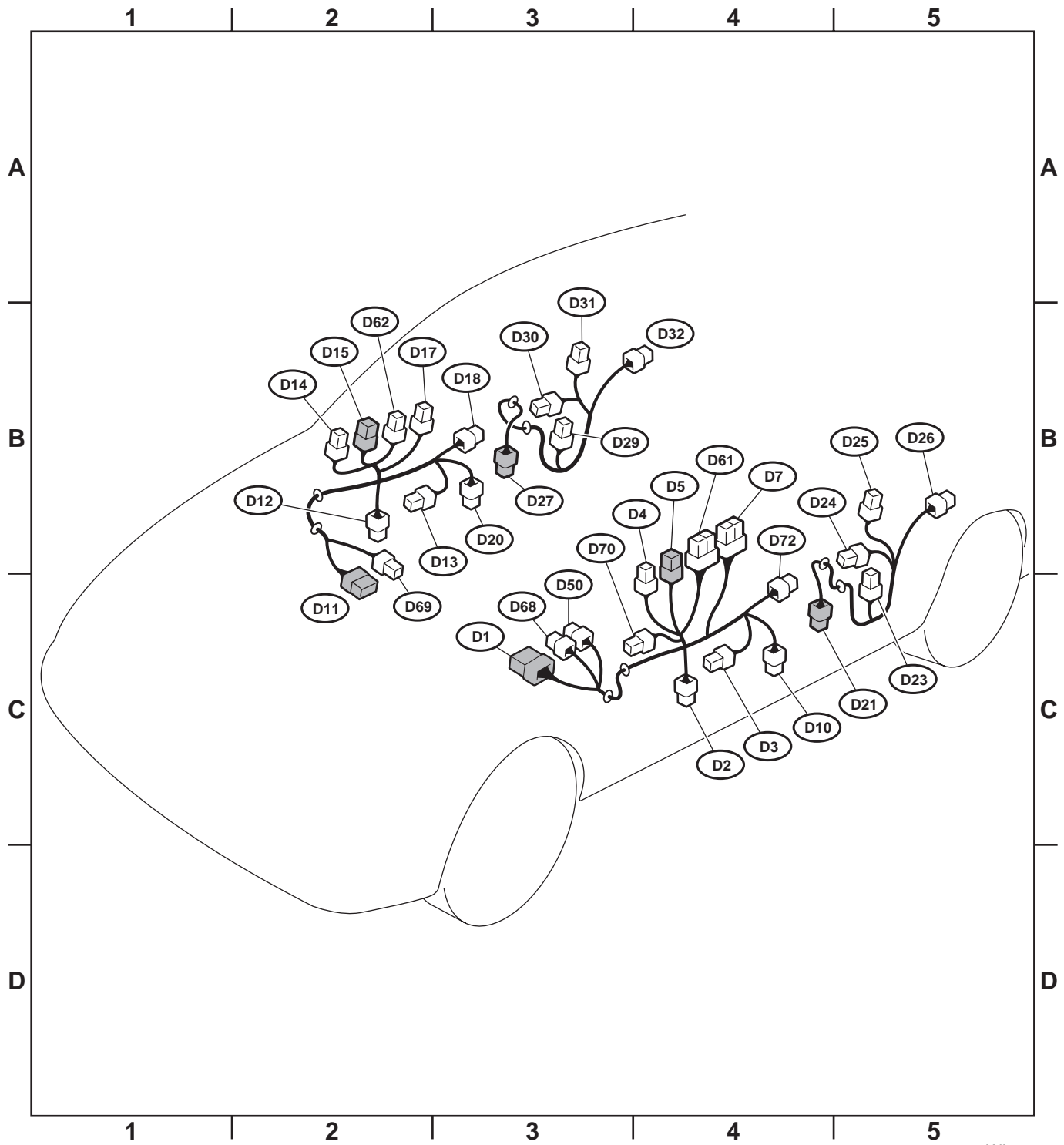
A: LOCATION

Connector				Connecting to	
No.	Pole	Color	Area	No.	Name
D1	24	★	C-2	B30	Bulkhead wiring harness
D2	2	★	C-3		Front door speaker LH
D3	2	Green	C-3		Front power window motor LH
D4	2	Black	C-3		Front door tweeter LH
D5	6	★	C-3		Remote control rearview mirror LH
D7	16	★	C-3		Power window main switch
D10	2	★	C-3		Step light LH
D11	24	★	C-2	B101	Bulkhead wiring harness
D12	2	★	C-2		Front door speaker RH
D13	2	Green	B-2		Front power window motor RH
D14	2	Black	B-2		Front door tweeter RH
D15	6	★	B-2		Remote control rearview mirror RH
D17	6	★	B-2		Front power window sub switch RH
D18	4	★	B-2		Front door lock actuator RH
D20	2	★	B-2		Step light RH
D21	8	★	C-3	R11	Rear wiring harness
D23	2	Black	C-4		Rear door speaker LH
D24	2	Green	C-4		Rear power window motor LH
D25	6	★	B-4		Rear power window sub switch LH
D26	4	★	B-4		Rear door lock actuator LH
D27	8	★	B-2	R14	Rear wiring harness
D29	2	Black	B-2		Rear door speaker RH
D30	2	Green	B-2		Rear power window motor RH
D31	6	★	B-2		Rear power window sub switch RH
D32	4	★	B-3		Rear door lock actuator RH
D50	2	★	C-3	B113	Bulkhead wiring harness
D61	10	★	C-3		Remote control rearview mirror switch
D62	6	Brown	B-2		Front door lock switch RH
D68	2	★	C-3	R99	Rear wiring harness
D69	2	★	C-2	R101	Rear wiring harness
D70	2	Gray	C-3		Keyless buzzer
D72	4	★	C-3		Front door lock actuator LH

★: Non-colored

DOOR CORD

WIRING SYSTEM



WI-00737

WI-242

REAR WIRING HARNESS AND TRUNK LID CORD

WIRING SYSTEM

61.Rear Wiring Harness and Trunk Lid Cord

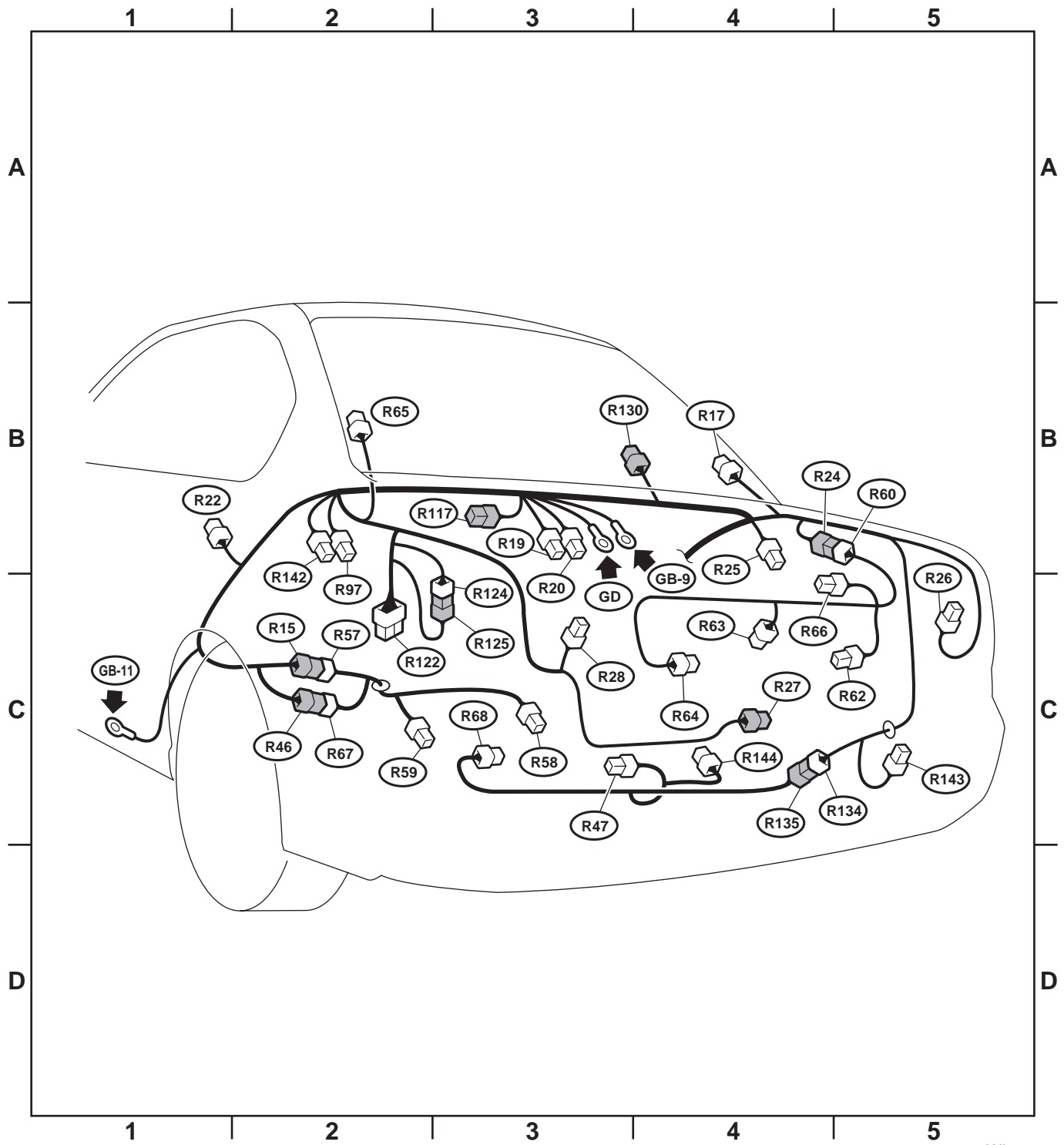
A: LOCATION

Connector				Connecting to	
No.	Pole	Color	Area	No.	Name
R15	6	Black	C-2	R57	Fuel tank cord
R17	1	Black	B-3		Rear defogger (Power) (Without choke coil model)
R19	2	★	B-2		High-mounted stop light
R20	2	Blue	B-3		Trunk room light
R22	3	Black	B-1		Rear door switch LH
R24	8	★	B-4	R60	Trunk lid cord
R25	2	★	B-3		Rear defogger condenser
R26	4	★	B-4		Rear combination light RH
R27	2	★	C-3		Trunk room light switch
R28	4	★	C-3		Rear combination light LH
R46	2	★	C-2	R67	Fuel tank cord (With fuel pump control module model)
R47	3	★	C-3		Internal pressure sensor
R57	6	Black	C-2	R15	Rear wiring harness
R58	6	★	C-2		Fuel gauge module & fuel pump assembly
R59	2	★	C-2		Fuel gauge sub module
R60	8	★	B-4	R24	Rear wiring harness
R62	4	★	C-4		Rear finisher light RH
R63	2	★	C-3		License plate light
R64	4	★	C-3		Rear finisher light LH
R65	1	Black	B-2		Rear defogger (Ground) (Without choke coil model)
R66	2	★	B-4		High-mounted stop light (Rear spoiler)
R67	2	★	C-2	R46	Rear wiring harness (With fuel pump control module model)
R68	2	★	C-3		Pressure control solenoid valve
R97	2	★	B-2		Antenna amp.
R117	2	★	B-2		Sub woofer (Mcintosh audio)
R122	10	★	C-2		Fuel pump control module
R124	2	★	C-2	R125	Fuel pump control solenoid
R125	2	★	C-2	R124	Fuel pump control solenoid
R130	2	★	B-3		Rear defogger (With choke coil model)
R134	6	★	C-4	R135	ORVR cord
R135	6	★	C-4	R134	Rear wiring harness
R142	2	Black	B-2		Fuel pump condenser
R143	2	★	C-4		Atmospheric pressure solenoid valve
R144	2	★	C-3		Internal pressure solenoid valve

★: Non-colored

REAR WIRING HARNESS AND TRUNK LID CORD

WIRING SYSTEM



WI-00738

REAR WIRING HARNESS AND REAR GATE CORD

WIRING SYSTEM

62.Rear Wiring Harness and Rear Gate Cord

A: LOCATION

Connector				Connecting to	
No.	Pole	Color	Area	No.	Name
R15	6	Black	D-1	R57	Fuel tank cord
R22	3	Black	C-1		Rear door switch LH
R25	2	★	C-3		Rear defogger condenser
R26	4	★	C-4		Rear combination light RH
R28	4	★	C-2		Rear combination light LH
R32	2	★	C-2		Rear accessory power supply socket
R37	2	★	C-3	D33	Rear gate cord
R38	8	★	C-3	D34	
R39	8	Black	C-4	D35	
R46	2	★	C-1	R67	Fuel tank cord
R47	3	★	C-3		Internal pressure sensor
R57	6	Black	D-1	R15	Rear wiring harness
R58	6	★	D-2		Fuel gauge module & fuel pump assembly
R59	2	★	D-2		Fuel gauge sub module
R67	2	★	C-1	R46	Rear wiring harness
R68	2	★	C-2		Pressure control solenoid valve
R79	6	★	C-2		Trailer connector
R97	2	★	C-1		Antenna amp
R116	8	★	C-3		Rear wiper intermittent module
R117	2	★	C-3		Sub woofer (Mcintosh audio)
R122	10	★	C-1		Fuel pump control module
R124	2	★	C-1	R125	Fuel pump control solenoid
R125	2	★	C-1	R124	Fuel pump control solenoid
R134	6	★	C-3	R135	On refueling vapor recovery cord
R135	6	★	C-3	R134	Rear wiring harness
R143	2	★	C-3		Atmospheric pressure solenoid valve
R144	2	★	C-3		Internal pressure solenoid valve

★: Non-colored

REAR WIRING HARNESS AND REAR GATE CORD

WIRING SYSTEM

Connector				Connecting to	
No.	Pole	Color	Area	No.	Name
D33	2	★	C-3	R37	Rear wiring harness
D34	8	★	C-3	R38	
D35	8	Black	C-4	R39	
D37	1	★	B-3		Luggage room light (Power)
D38	1	★	B-3		Luggage room light
D39	2	★	B-3		High-mounted stop light
D40	1	★	B-3		Rear defogger (Power)
D42	4	★	B-4		Rear finisher light RH
D43	4	★	B-3		Rear wiper motor
D44	2	★	B-4		License plate light RH
D45	2	★	A-3		License plate light LH
D46	2	Black	A-4		Rear gate latch switch
D47	4	★	B-4		Rear gate lock actuator
D48	1	Black	B-3		Rear defogger (Ground)
D49	4	★	A-3		Rear finisher light LH
D66	2	Black	C-3		Rear tweeter RH
D67	2	Black	B-2		Rear tweeter LH

★: Non-colored

REAR WIRING HARNESS AND REAR TAIL GATE CORD

WIRING SYSTEM

63.Rear Wiring Harness and Rear Tail Gate Cord

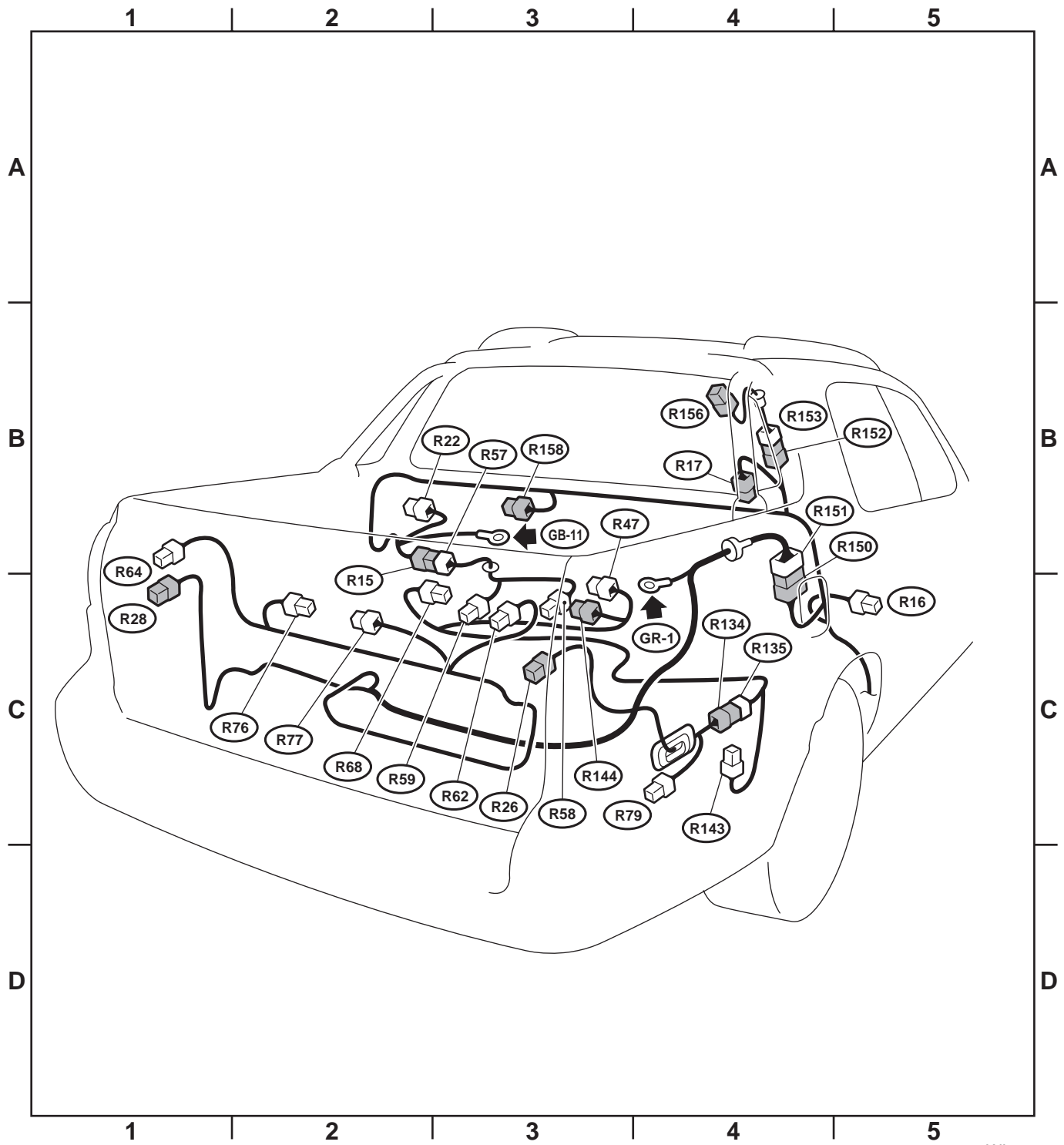
A: LOCATION

Connector				Connecting to	
No.	Pole	Color	Area	No.	Name
R15	6	Black	B-2	R57	Fuel tank cord
R16	3	★	C-5		Rear door switch RH
R17	1	★	B-4		Rear defogger
R26	6	★	C-3		Rear combination light RH
R28	6	★	C-1		Rear combination light LH
R47	3	★	C-3		Fuel tank pressure sensor
R57	6	★	B-3	R15	Rear wiring harness
R58	6	★	C-3		Fuel pump & Fuel gauge module
R59	2	★	C-3		Fuel gauge sub module
R62	2	★	C-3		Rear finisher light RH
R64	2	★	B-1		Rear finisher light LH
R68	2	★	C-3		Pressure control solenoid
R76	2	★	C-2		License plate light LH
R77	2	★	C-2		License plate light RH
R79	6	★	C-4		Trailer connector
R134	8	★	C-4	R135	On refueling vapor recovery cord
R135	8	★	C-4	R134	Rear wiring harness
R143	2	★	C-4		Atmospheric pressure solenoid valve
R144	2	★	C-3		Internal pressure solenoid
R150	16	★	C-4	R151	Rear wiring harness (Rear)
R151	16	★	B-4	R150	Rear wiring harness (Front)
R152	8	★	B-4	R153	Roof light cord
R153	8	★	B-4	R152	Rear wiring harness (Front)
R156	4	★	B-4		Baja light
R158	2	★	B-3		Switch back gate warning light

★: Non-colored

REAR WIRING HARNESS AND REAR TAIL GATE CORD

WIRING SYSTEM



WI-01025

REAR WIRING HARNESS AND REAR TAIL GATE CORD

WIRING SYSTEM

MEMO: