

ATTENTION:

GENERAL MANAGER PARTS MANAGER
 CLAIMS PERSONNEL SERVICE MANAGER

IMPORTANT - All Service Personnel Should Read and Initial



SERVICE PROGRAM BULLETIN

APPLICABILITY: 2005MY Subaru Legacy & Outback
SUBJECT: Air Conditioning Air Filtration System
 Conversion Kit

NUMBER: WWW-07
DATE: 04/2005

INTRODUCTION

Subaru of America, Inc. (SOA) has determined that affected vehicles listed below require the air conditioning air filtration system be updated with a conversion kit to simplify routine maintenance.

Affected vehicles are equipped with an optional air conditioning air filtration system. This system requires periodic maintenance which includes replacement of the air filter. Because of the current design, routine replacement of the air filter may be more difficult than intended. To simplify the maintenance procedure, Subaru has developed an updated air filtration conversion kit. Installation of the conversion kit will allow easy access to the filter through the glove box area. Installation of this conversion kit will not alter the performance of the filtration system.

This service program will involve installing an air filtration conversion kit on affected vehicles.

AFFECTED VEHICLES

- 2005 MY Subaru Legacy & Outback.

Please Note: there are only 213 vehicles affected nationally.

Potentially affected vehicles are identified in the VIN range chart below. Not all vehicles within the VIN range are affected. Prior to performing repairs, confirm coverage for potentially affected vehicles by using the Vehicle Coverage Inquiry in the Dealer Communication System (DCS).

Model	From	To
2005MY Legacy / Outback Sedan	5*200111	5*200288
2005MY Legacy / Outback Wagon	5*300153	5*307361

Note: Various characters may occupy the VIN positions Identified by ""*



CAUTION: VEHICLE SERVICING PERFORMED BY UNTRAINED PERSONS COULD RESULT IN SERIOUS INJURY TO THOSE PERSONS OR TO OTHERS.

Subaru Service Bulletins are intended for use by professional technicians ONLY. They are written to inform those technicians of conditions that may occur in some vehicles, or to provide information that could assist in the proper servicing of the vehicle. Properly trained technicians have the equipment, tools, safety instructions, and know-how to do the job correctly and safely. If a condition is described, DO NOT assume that this Service Bulletin applies to your vehicle, or that your vehicle will have that condition.

OWNER NOTIFICATION

SOA will prepare and mail an Owner Notification Letter to owners of affected vehicles on or around April 18, 2005.

A copy of the Owner Notification Letter is included at the end of this bulletin.

DEALER PROGRAM RESPONSIBILITY

Dealers are to promptly service all vehicles subject to this service program at no charge to the vehicle owner regardless of mileage, age of the vehicle, or ownership.

For affected vehicles sold after the date on the dealer's computer list, dealers are to contact those owners and provide them with a copy of the owner notification letter. They should also arrange to make the required correction according to the instructions in the service procedure section of this bulletin.

Dealers are also to promptly perform the applicable service procedures defined in this bulletin to correct all affected vehicles in their inventory (new, used, demo). Additionally, whenever a vehicle subject to this service program is taken into dealer new or used inventory, or is in the dealership for service, necessary steps should be taken to ensure the service program correction has been made before selling or releasing the vehicle.

PARTS INFORMATION

Air filtration conversion kits are available through normal parts supply. Dealers will **not** automatically be sent a quantity of kits.

Description	Part Number
Air Filtration Conversion Kit	SOA342L500

SERVICE PROCEDURE

Please install the Air Filtration Conversion Kit as indicated in the following instructions:

Kit Contents:

- 1) Installation Instructions
- 2) Filter Carrier (PN: 73553AG02B)
- 3) Glove Box Trim Panel (PN: 66208AG02B)
- 4) Air Filter Element Including Service Label and Caution Label (PN: G3210AG000)

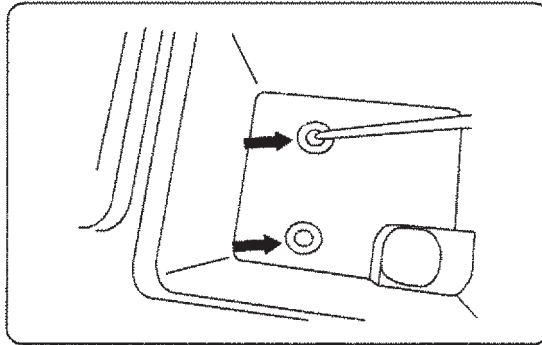
Tools Required:

- 1) Slotted Screwdriver
- 2) Phillips Screwdriver

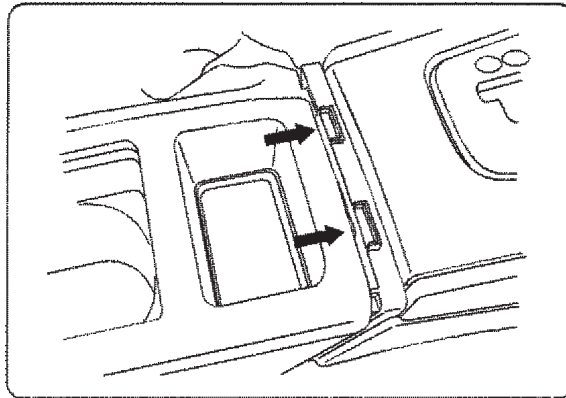
continued...

Part One - Installation of Filter System Conversion Kit:

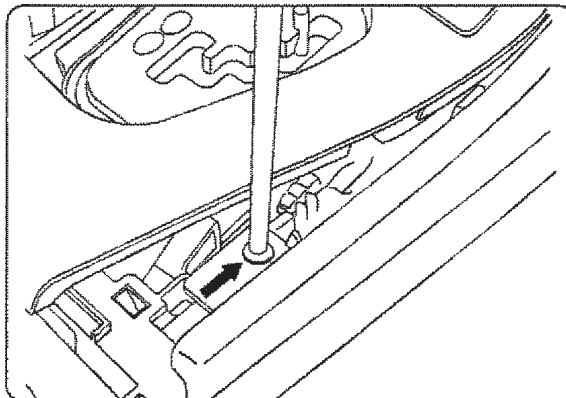
- 1) Remove the two (2) Phillips head center console screws.



- 2) Slide the center console back and lift.

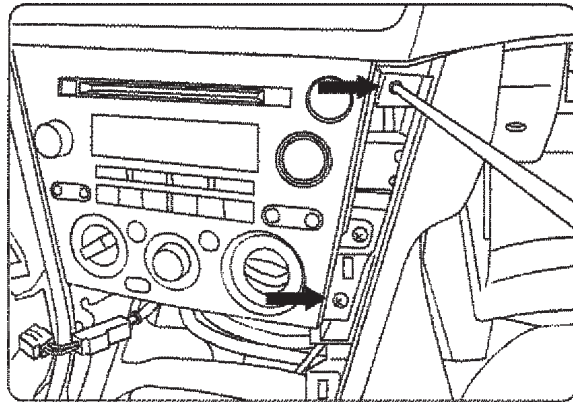


- 3) Remove the gear shift cover and one (1) Phillips head screw.

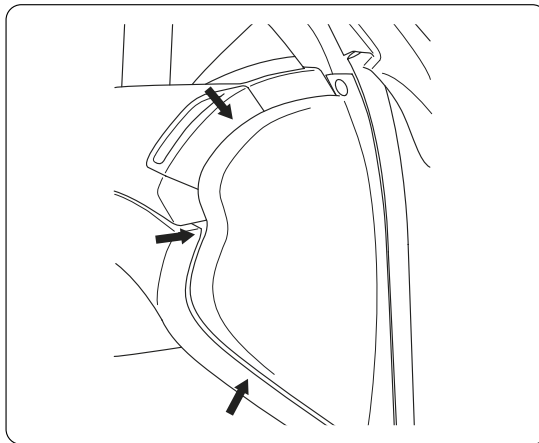


continued...

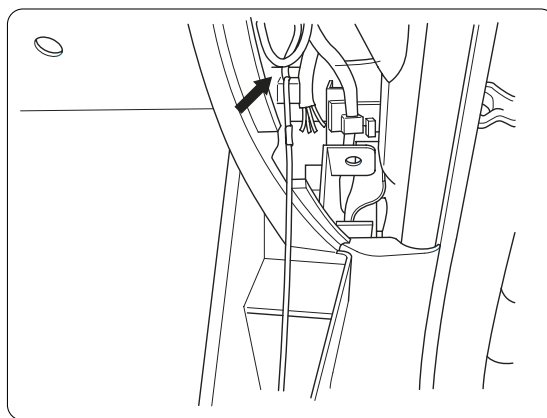
- 4) Remove the side trim.
- 5) Remove the two (2) Phillips head screws.
- 6) Remove the console side panel.



- 7) Remove the glove box side cover.

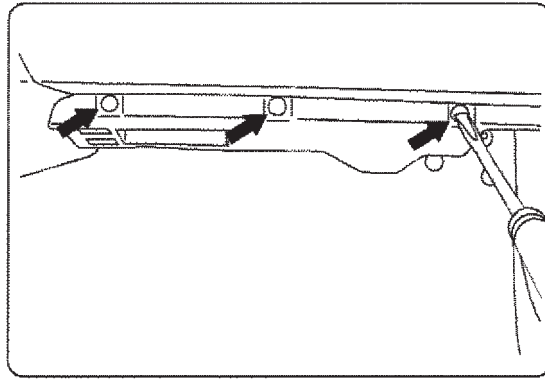


- 8) Disconnect the retractable strap.

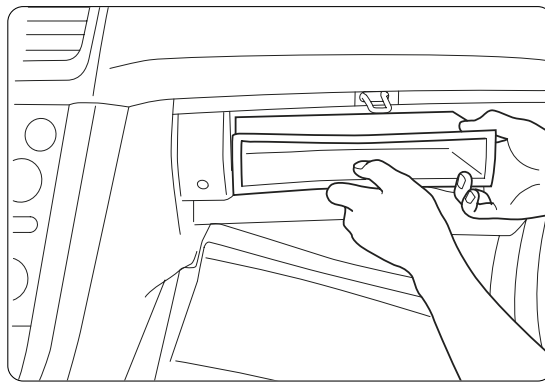


continued...

9) Remove the three push pins under the glove box to facilitate later reinstallation.



10) Remove the Pocket.

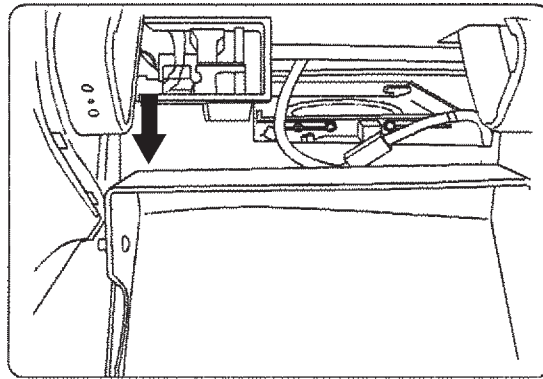


11) Remove three (3) Phillips head screws and one (1) plastic clip.



continued...

12) Disconnect the wire and lower glove box assembly.



13) Remove the two (2) clips from inside the glove box bin.



14) Remove the glove box light and install it to the new back panel (PN: 66208AG02B).



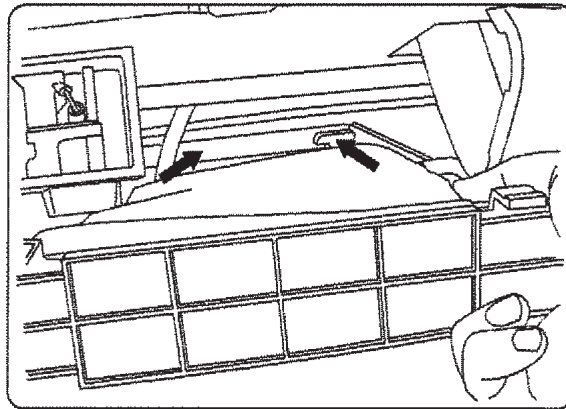
Remove two (2) plastic clips and the glove box bin from the back panel assembly. (Note: Only one (1) of the two (2) clips is used in the new back panel.)

15) Install the glove box bin to the new back panel. Reinstall the two (2) clips (previously removed during Step 13) to the glove box bin.

continued...

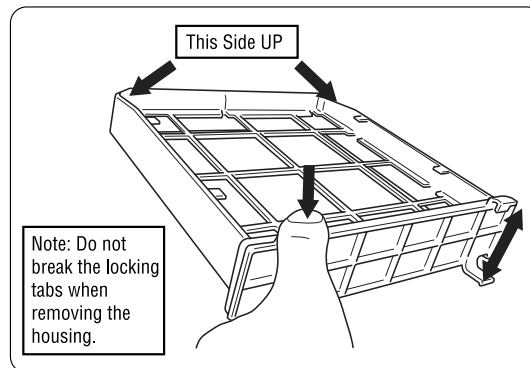
Part Two - Filter Replacement and Carrier Conversion

- 1) Push all four tabs together and pull out the carrier with a slight twist.



- 2) Insert the NEW filter (PN: G3210AG000) into the NEW filter carrier (PN: 73553AG02B).
- 3) Push the carrier and the filter into the housing with a slight twist until its fully seated.

CAUTION: Carrier tabs may be susceptible to breakage (from over bending) when coming into contact with other parts of the vehicle.



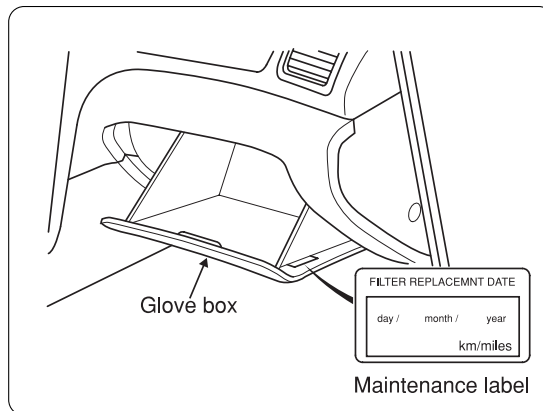
Part Three - Reinstallation of the Glove Box Assembly

- 1) Follow steps 1 to 14, in Part 1, in reverse order.

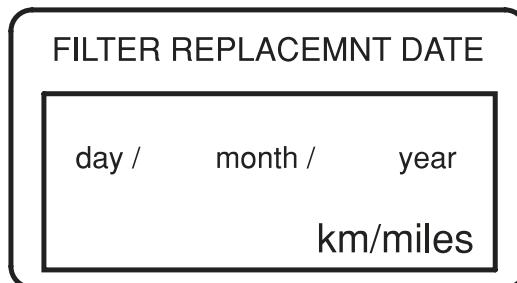
continued...

Part Four - Label Installation

- 1) Fill in the maintenance label with the replacement date and mileage.
- 2) Install it on the right hand side of the glove box as shown.



Note: The label is shown here:



- The filter must be replaced every 7,500 miles or 1 year, whichever occurs first.
- The filter may need to be replaced more frequently in dusty areas.

SERVICE PROGRAM IDENTIFICATION LABEL

Type or print the necessary information on a Service Program identification label. The completed label should be attached to the vehicle's upper radiator support.

Additional labels are available through the Customer Dealer Services Department (CDS) at 1-800- 782-2783.

SUBARU
Campaign Code <i>WWW-07</i>
COMPLETED
DIST./DEALER NO.
SERIAL NO.
DO NOT REMOVE

CLAIM REIMBURSEMENT AND ENTRY PROCEDURES

Credit to perform this Service Program will be based on the submission of properly completed repair order information. Dealers may enter the applicable claim information through their Dealer Communications System.

Air Filtration System Conversion Kit - Use the applicable claim submission information for installation of the Air Filtration System Conversion Kit and enter labor operation A106-561, for 0.4 labor hours.

Claim Type	Campaign Code	Labor/Time	Labor Operation	Part Number
RC	WWW-07	A106-561 0.4	Install Air Filtration System Conversion Kit	SOA3423L500

Subaru of America, Inc.
Subaru Plaza
P.O. Box 6000
Cherry Hill, NJ 08034-6000
www.subaru.com

Service Program WWW-07

April 2005

Dear Subaru Owner:

SUBARU OF AMERICA, INC. recommends that the air conditioning air filtration system on your 2005MY Subaru Legacy or Outback be updated to improve maintenance serviceability.

REASON FOR THIS RECOMMENDATION

Your vehicle's air conditioning system is equipped with an air filtration system. This system requires periodic maintenance that includes replacement of the air filter every 12 months or 7,500 miles (12,000 km), whichever occurs first. The filter may require more frequent replacement if the vehicle is driven in extremely dusty conditions. Because of the current design, routine maintenance of the air filtration system may be more difficult than intended. To simplify the maintenance procedure, Subaru has developed an air filtration conversion kit update. Installation of the conversion kit will allow easier access to the filter, through the glove box area, and will not alter the performance of the filtration system.

WHAT WE ARE ASKING YOU TO DO

We suggest that the next time your vehicle requires service, you ask your Subaru Dealer to install the air filtration conversion kit on your vehicle. Your Subaru Dealer will perform this update, which includes a new replacement filter, at no cost to you. The approximate time to complete this update is about 30 minutes. However, it may be necessary for you to leave your car for a longer period on the day of your scheduled appointment to allow your dealer flexibility in scheduling other appointments.

Please also present this letter to your Subaru Dealer on the day of your service appointment.

CHANGED YOUR ADDRESS OR SOLD YOUR SUBARU?

If you have changed your address, or if you have sold your Subaru, please complete the enclosed prepaid postcard and mail it to us.

continued...

IF YOU NEED FURTHER ASSISTANCE

To locate the nearest Subaru Dealer, you can access our web site at www.Subaru.com and go to the dealer locator function. Or, you may call us at 1-800SUBARU3 (1-800-782-2783) during normal business hours. Please call or write (using the address at the top of this letter) us immediately if the dealer fails or is unable to complete this procedure free of charge.

Your continued satisfaction with Subaru is important to us. This update is intended to assure your vehicle's optimal performance for many years to come. We sincerely apologize for any inconvenience this situation may cause you.

Sincerely,

Subaru of America, Inc.

Notice to Lessors

Under Federal law the lessor of a vehicle who receives this letter must provide a copy of it to the vehicle lessee(s) within 10 business days from receipt. The lessor must also keep a record of the lessee(s) to whom this letter is sent, the date sent, and the applicable vehicle identification number (VIN). (For the purposes of this section, a lessor means a person or entity that in the last twelve months prior to the date of this notification has been the owner, as referenced on the vehicle's title, of any five or more leased vehicles. A leased vehicle is a vehicle leased to another person for a term of at least four months.)

A subsidiary of Fuji Heavy Industries Ltd.