

ATTENTION:

GENERAL MANAGER
CLAIMS PERSONNEL

PARTS MANAGER
SERVICE MANAGER



SUBARU

IMPORTANT - All Service Personnel Should Read and Initial

SERVICE BULLETIN

APPLICABILITY: 2005~08MY Legacy, Outback, Impreza and Forester Vehicles Equipped with 4EAT
SUBJECT: Diagnostic procedures for P0851/P0852
NUMBER: 16-68-06
DATE: 10/09/06

INTRODUCTION

The purpose of this bulletin is to assist when diagnosing P0851 (Neutral Switch Input Circuit Low) and P0852 (Neutral Switch Input Circuit High). If you encounter a vehicle with P0851 and/or P0852, use the following repair procedure.

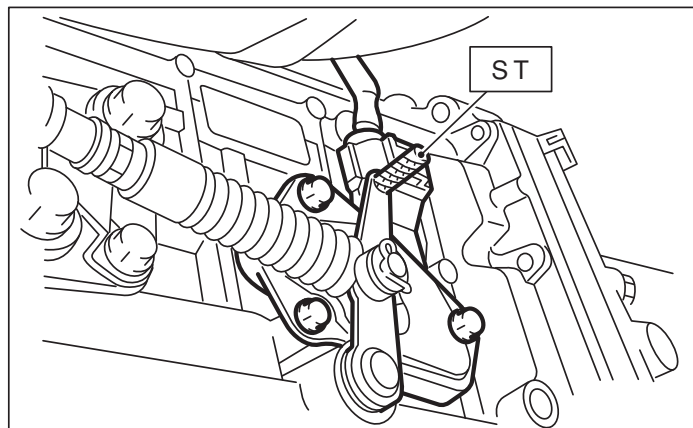
REPAIR PROCEDURE/INFORMATION

Using the Subaru Select Monitor, check for diagnostic trouble codes stored in memory. If P0851 and/or P0852 are stored in memory, adjust the inhibitor switch and select cable.

Note: Refer to the applicable Subaru Service Manual found on the STIS web-site for component removal to gain access to the inhibitor switch and select cable. It is critical that the following adjustments are performed correctly.

Adjustment for inhibitor switch

- 1) Set the select lever to "N" range.
- 2) Loosen the three inhibitor switch securing bolts.
- 3) Insert ST (special tool) 499267300 Stopper Pin as vertical as possible into the holes in the inhibitor switch lever and switch body.



CAUTION: VEHICLE SERVICING PERFORMED BY UNTRAINED PERSONS COULD RESULT IN SERIOUS INJURY TO THOSE PERSONS OR TO OTHERS.

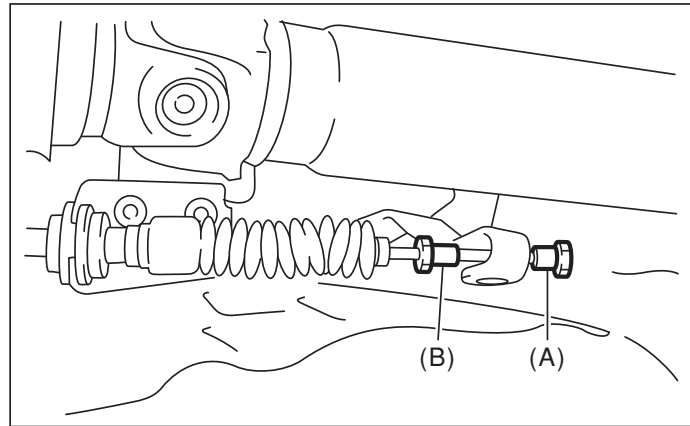
Subaru Service Bulletins are intended for use by professional technicians ONLY. They are written to inform those technicians of conditions that may occur in some vehicles, or to provide information that could assist in the proper servicing of the vehicle. Properly trained technicians have the equipment, tools, safety instructions, and know-how to do the job correctly and safely. If a condition is described, DO NOT assume that this Service Bulletin applies to your vehicle, or that your vehicle will have that condition.



- 4) Tighten the three inhibitor switch securing bolts then remove special tool.
Tightening torque: 3.4 N-m (0.35 kgf-m, 2.5 ft-lb)

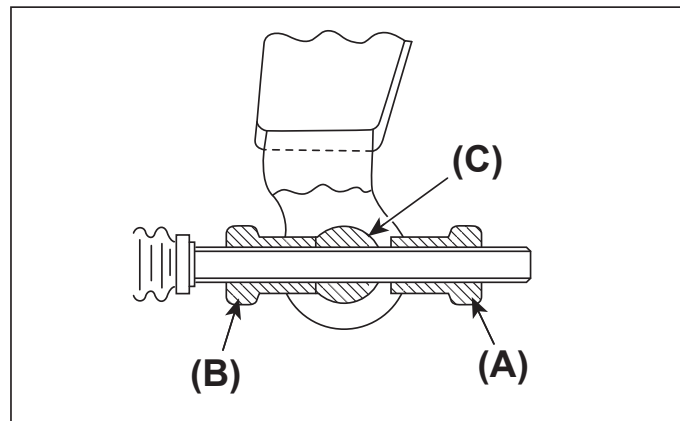
Adjustment for select cable

- 1) With the select lever already in the “N” range, loosen the adjusting nuts A and B on both sides.



(A) Adjusting Nut A (B) Adjusting Nut B

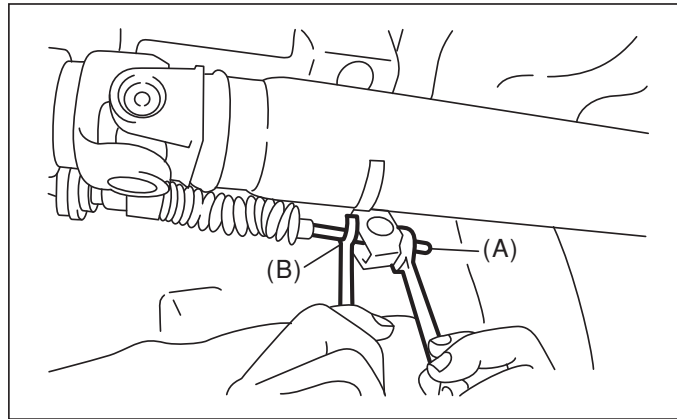
- 2) Turn the adjusting nut B until it lightly touches the connector.



(A) Adjusting Nut A
(B) Adjusting Nut B
(C) Connector

- 3) Use a spanner wrench to hold nut B so that it does not rotate and then tighten the adjusting nut A.

Tightening torque: 7.5 N-m (0.76 kgf-m, 5.5 ft-lb)



(A) Adjusting Nut A (B) Adjusting Nut B

- 4) After the completion of adjustment, confirm that the select lever operates normally at all ranges:
 - Move the select lever from “P” to “D” range. Check that the detents could be felt in each range. If the detents cannot be felt or the position pointer (dash indicator) is improperly aligned, re-adjust the cable.
 - Check if the starter motor rotates when the select lever is set to “P” range.
 - Check the back-up light illumination when the select lever is in “R” range.
 - Check the parking lock operation when the select lever is in “P” range.
- 5) Using the Subaru Select Monitor, clear the diagnostic trouble codes stored in memory. If the codes return after the correct adjustments, refer to the diagnostic procedure found in the applicable Subaru Service Manual.

WARRANTY/CLAIM INFORMATION

For vehicles within the Basic New Car Limited Warranty period, refer to the Subaru Warranty Wizard for claim submission information.