

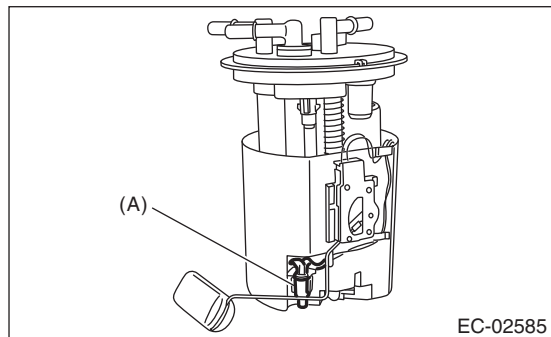
Fuel Temperature Sensor

EMISSION CONTROL (AUX. EMISSION CONTROL DEVICES)

7. Fuel Temperature Sensor

A: REMOVAL

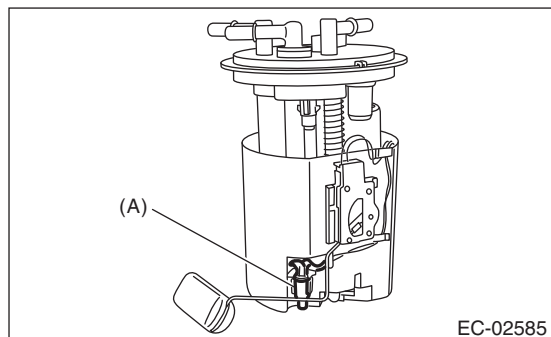
Fuel temperature sensor is integrated with the fuel level sensor. Refer to "Fuel Level Sensor" for removal procedure. <Ref. to FU(H4DOTC)-80, REMOVAL, Fuel Level Sensor.>



(A) Fuel temperature sensor

B: INSTALLATION

Refer to "Fuel Level Sensor" for the installation procedure. <Ref. to FU(H4DOTC)-80, INSTALLATION, Fuel Level Sensor.>



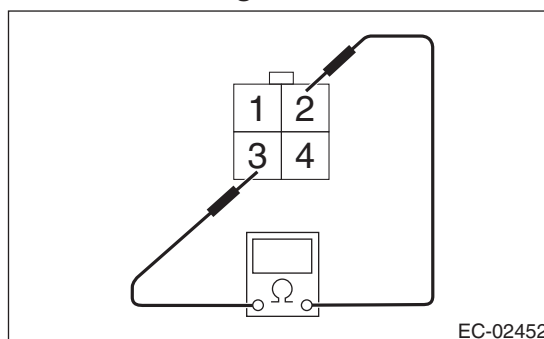
(A) Fuel temperature sensor

C: INSPECTION

- 1) Check the fuel temperature sensor for deformation, cracks or other damages.
- 2) Measure the resistance between fuel temperature sensor terminals.

CAUTION:

Make sure of the circuit tester spec and do not apply a voltage of 3 V or more when measuring the resistance. Otherwise the fuel temperature sensor will be damaged.



| Temperature | Terminal No. | Standard |
|--------------|--------------|--|
| -10°C (14°F) | 2 and 3 | 9.2±2.2 kΩ (at a set current of 0.5 mA) |
| 20°C (68°F) | | 2.5±0.2 kΩ (at a set current of 1.0 mA) |
| 50°C (122°F) | | 0.84 ^{+0.06} _{-0.05} kΩ (at a set current of 1.0 mA) |