

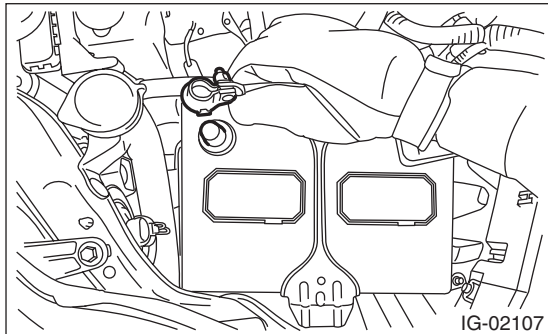
Air Cleaner Case

INTAKE (INDUCTION)

3. Air Cleaner Case

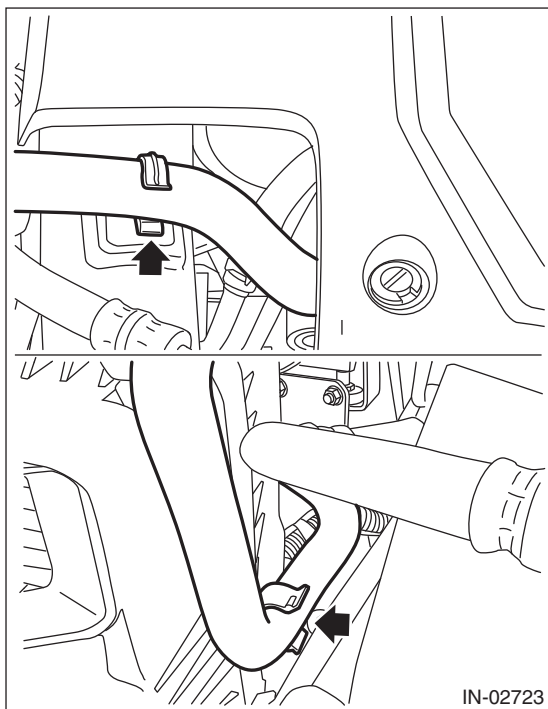
A: REMOVAL

1) Disconnect the ground cable from battery.



2) Remove the air intake duct. <Ref. to IN(H4DOTC)-12, REMOVAL, Air Intake Duct.>

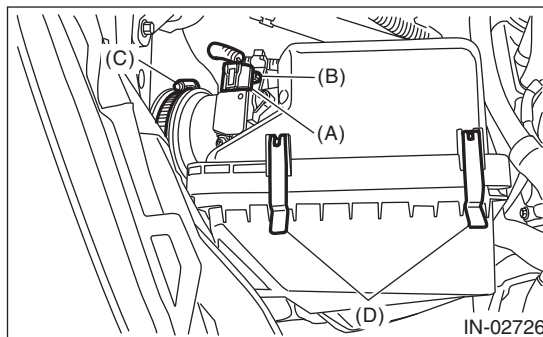
3) Remove the suction hose from intake duct and air cleaner case (rear).



4) Disconnect the connector (A) from the mass air flow and intake air temperature sensor, and remove the clip (B) which holds the mass air flow and intake air temperature sensor harness.

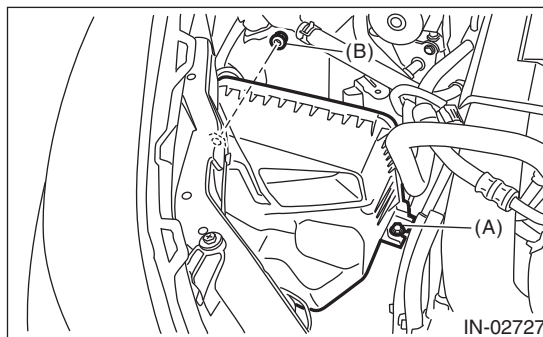
5) Loosen the clamp (C) which holds the air intake boot.

6) Remove the clip (D) from the air cleaner case (front), and remove the air cleaner case (rear).



7) Remove the air cleaner element.

8) Remove bolts (A) and nuts (B) which secure the air cleaner case (front) to the body, and remove the air cleaner case (front).



B: INSTALLATION

1) Install the bolt (A) and nut (B) which secure the air cleaner case (front) to the body.

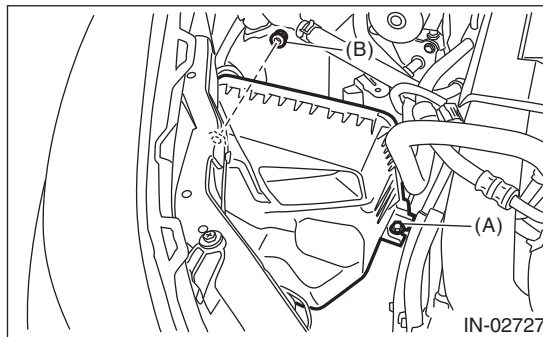
Tightening torque:

Bolt (A)

6 N·m (0.6 kgf-m, 4.4 ft-lb)

Nut (B)

7.5 N·m (0.8 kgf-m, 5.5 ft-lb)

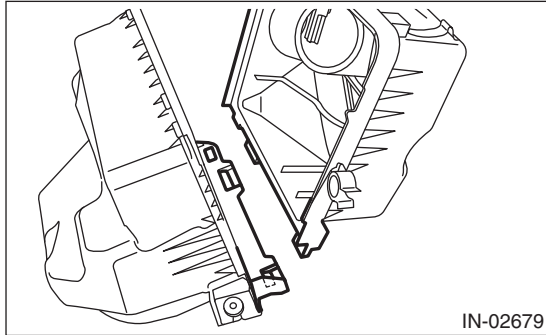


2) Install the air cleaner element.

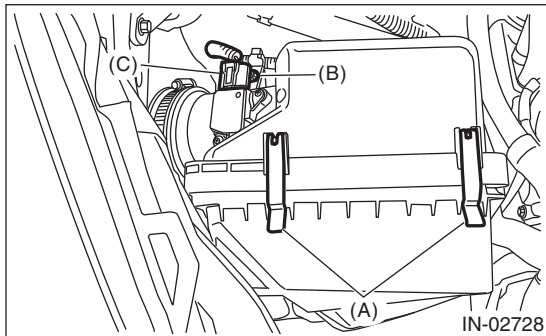
3) Install the air intake case (rear).

NOTE:

When installing the air cleaner case (rear), align the protrusion of the air cleaner case (rear) to the hole on the air cleaner case (front) to install.



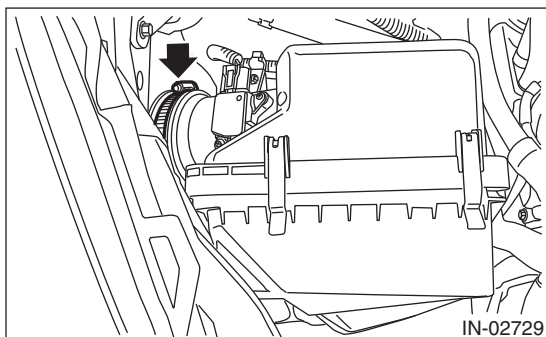
- 4) Install the clip (A) to the air cleaner case (front).
- 5) Hold the mass air flow and intake air temperature sensor harness with the clip (B), and connect the connector (C) to the mass air flow and intake air temperature sensor.



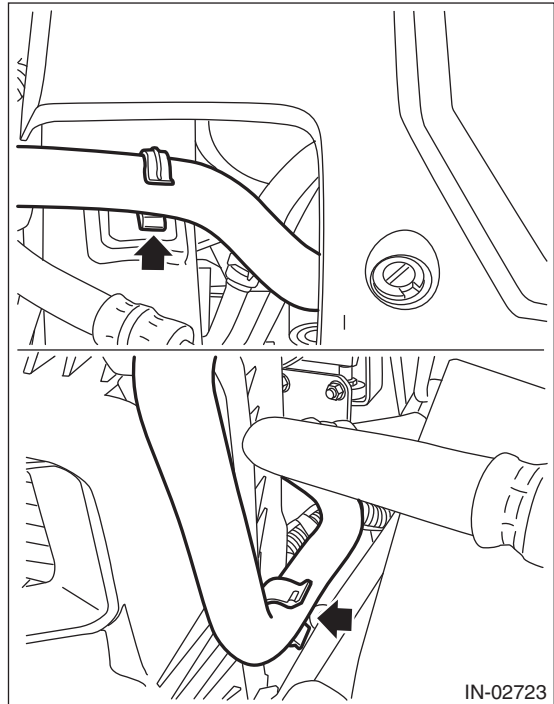
- 6) Tighten the clamp which secures the air intake boot.

Tightening torque:

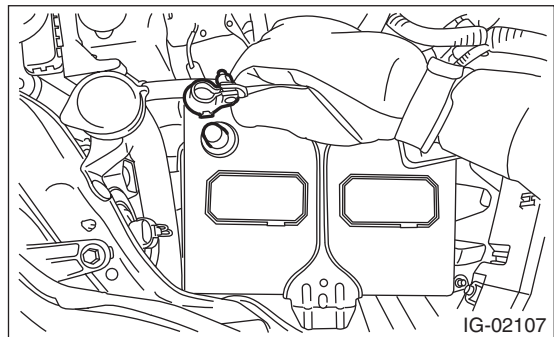
2.5 N·m (0.3 kgf·m, 1.8 ft·lb)



- 7) Install the suction hose to intake duct and air cleaner case (rear).



- 8) Install the air intake duct. <Ref. to IN(H4DOTC)-12, INSTALLATION, Air Intake Duct.>
- 9) Connect the ground cable to battery.



C: INSPECTION

Check that the air cleaner case has no deformation, cracks or other damages.