

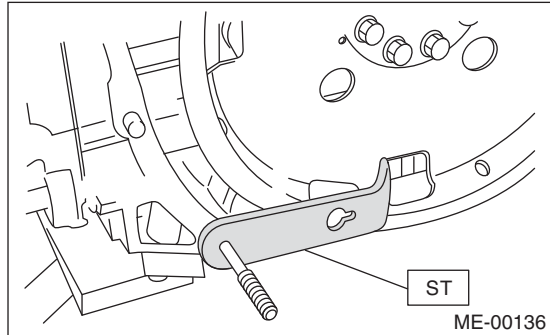
23. Drive Plate

A: REMOVAL

1) Remove the transmission assembly from the vehicle. <Ref. to 5AT-38, REMOVAL, Automatic Transmission Assembly.>

2) Use the ST to lock the crankshaft, and remove the drive plate.

ST 498497100 CRANKSHAFT STOPPER

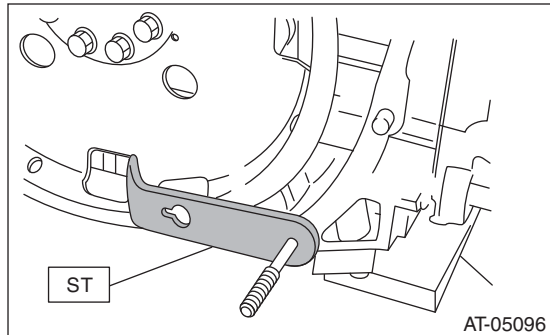


B: INSTALLATION

1) Temporarily tighten the drive plate.

2) Using the ST, lock the crankshaft.

ST 498497100 CRANKSHAFT STOPPER



3) Tighten the drive plate mounting bolt.

NOTE:

Tighten the drive plate mounting bolts gradually. Each bolt should be tightened in a crisscross order.

Tightening torque:

90 N·m (9.2 kgf·m, 66.4 ft·lb)

4) Install the transmission assembly to the vehicle. <Ref. to 5AT-42, INSTALLATION, Automatic Transmission Assembly.>