

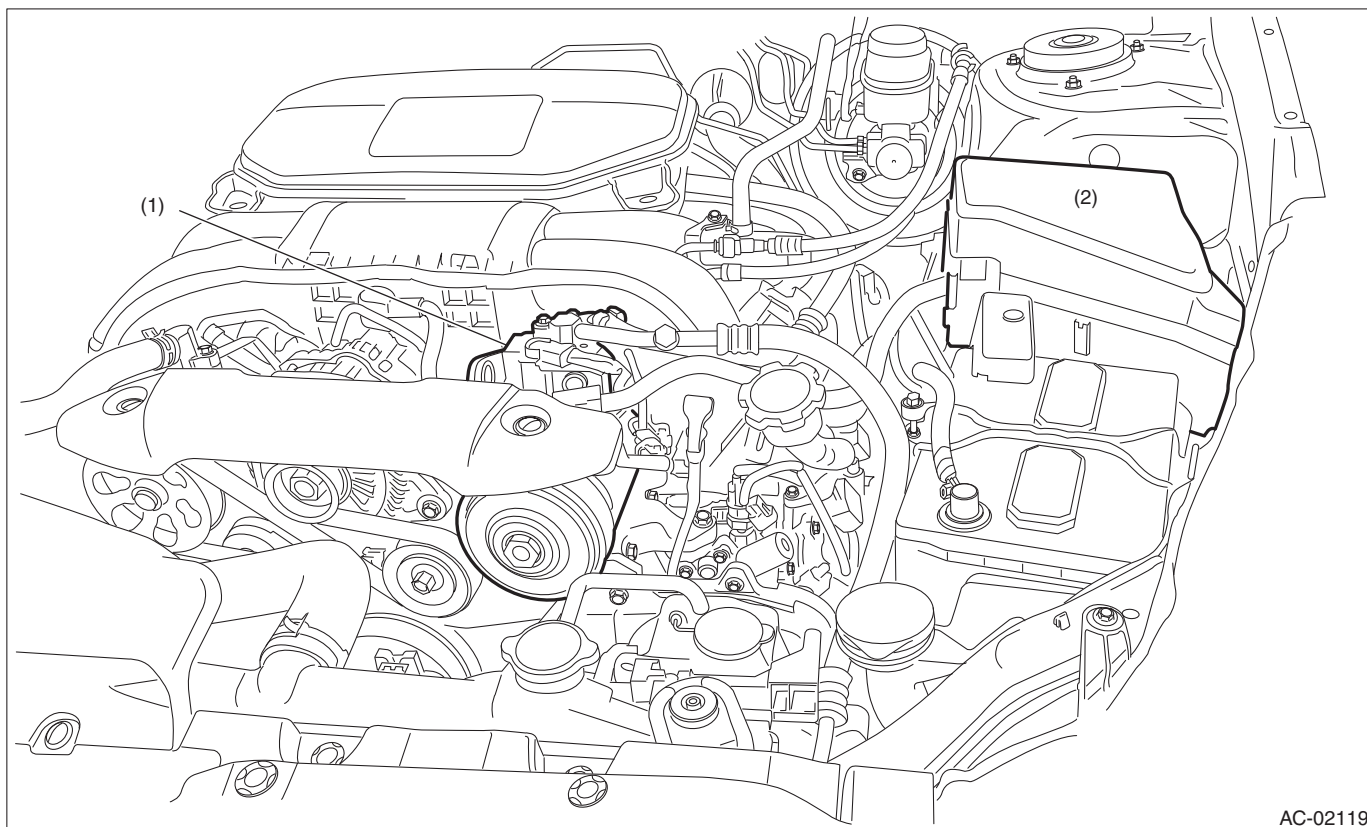
# Electrical Component Location

HVAC SYSTEM (AUTO A/C) (DIAGNOSTICS)

## 3. Electrical Component Location

### A: LOCATION

#### 1. ENGINE COMPARTMENT

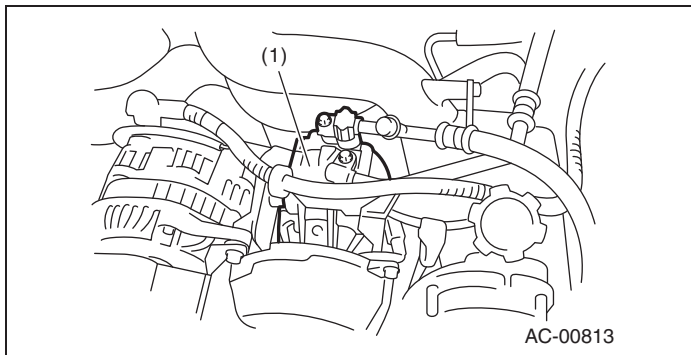


AC-02119

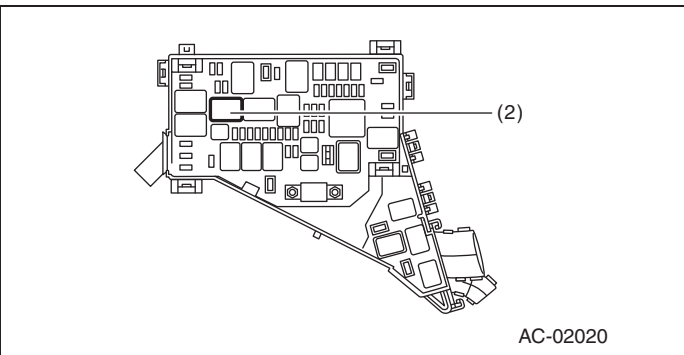
- (1) A/C compressor
- (2) A/C relay

(3) Pressure sensor

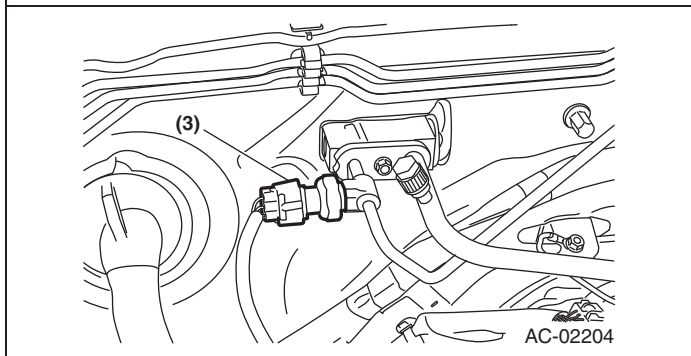
(4) Ambient sensor



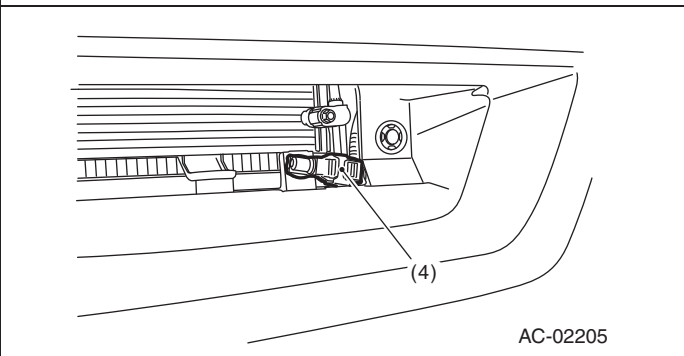
AC-00813



AC-02020



AC-02204

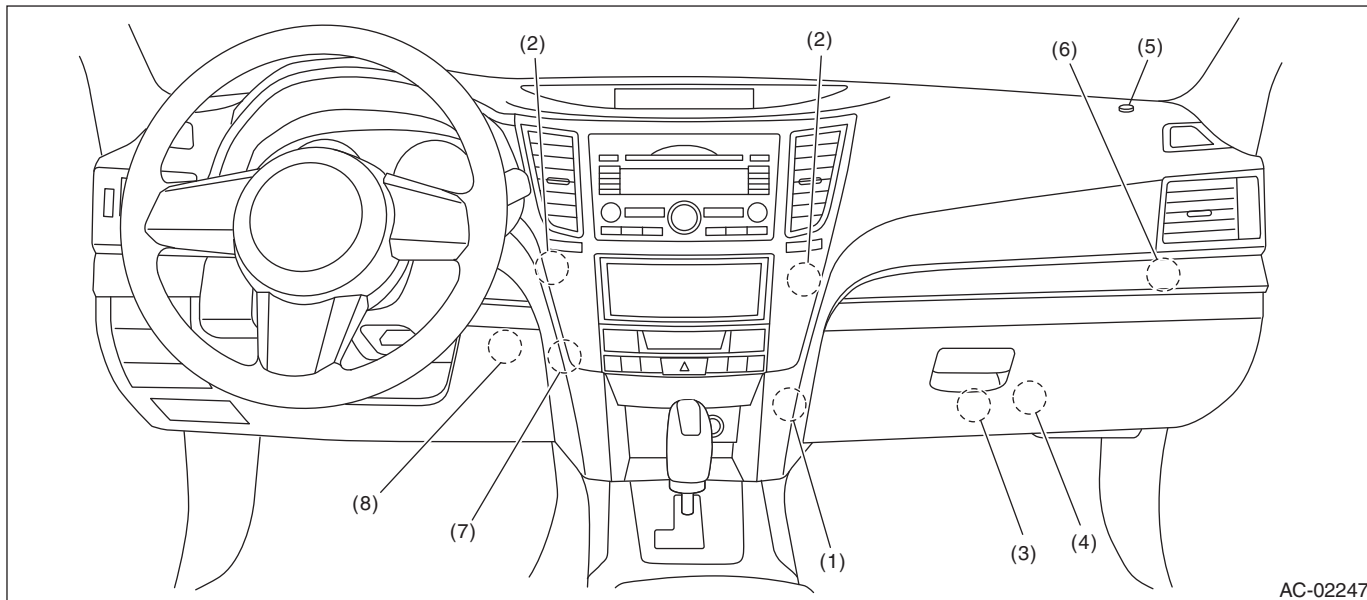


AC-02205

# Electrical Component Location

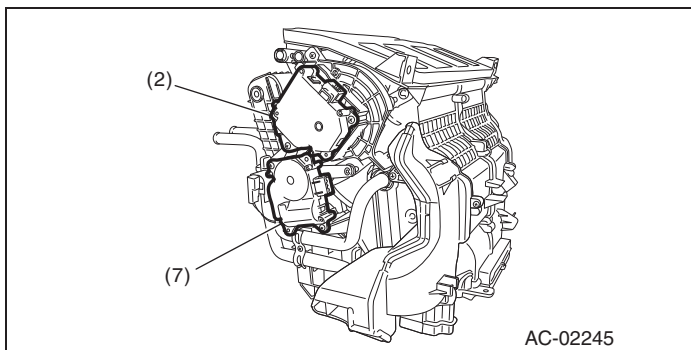
## HVAC SYSTEM (AUTO A/C) (DIAGNOSTICS)

### 2. PASSENGER COMPARTMENT

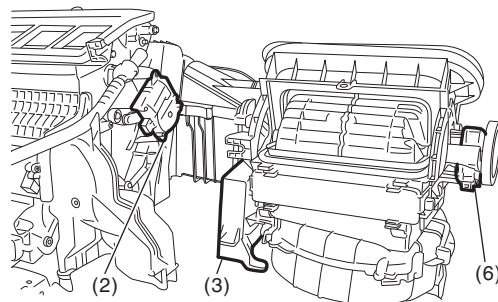


AC-02247

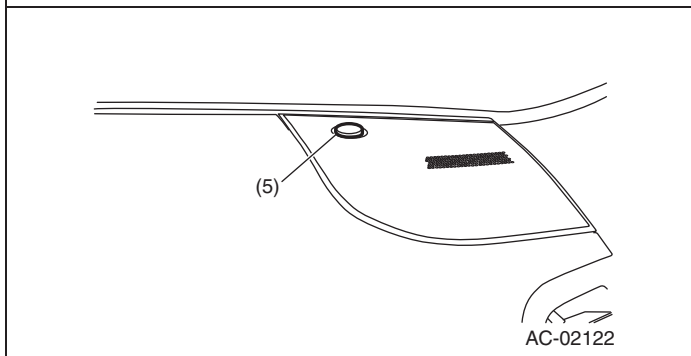
- |                           |                          |                        |
|---------------------------|--------------------------|------------------------|
| (1) Evaporator sensor     | (4) Blower motor         | (7) Mode door actuator |
| (2) Air mix door actuator | (5) Sunload sensor       | (8) In-vehicle sensor  |
| (3) A/C control module    | (6) Intake door actuator |                        |



AC-02245



AC-02246



AC-02122

**SUBARU.**