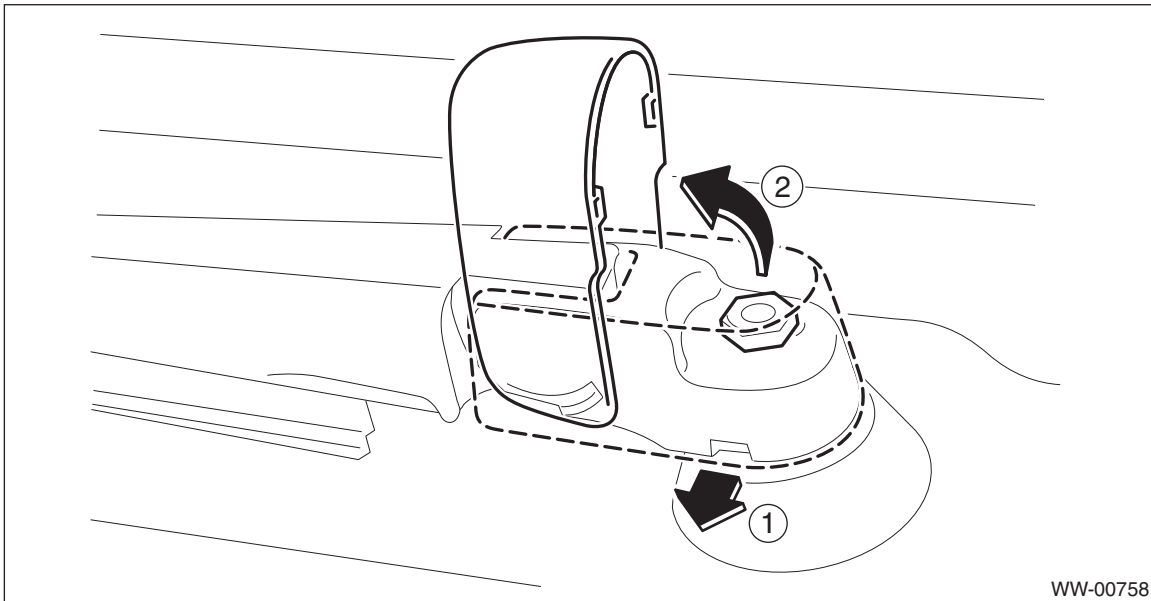


10. Rear Wiper Motor

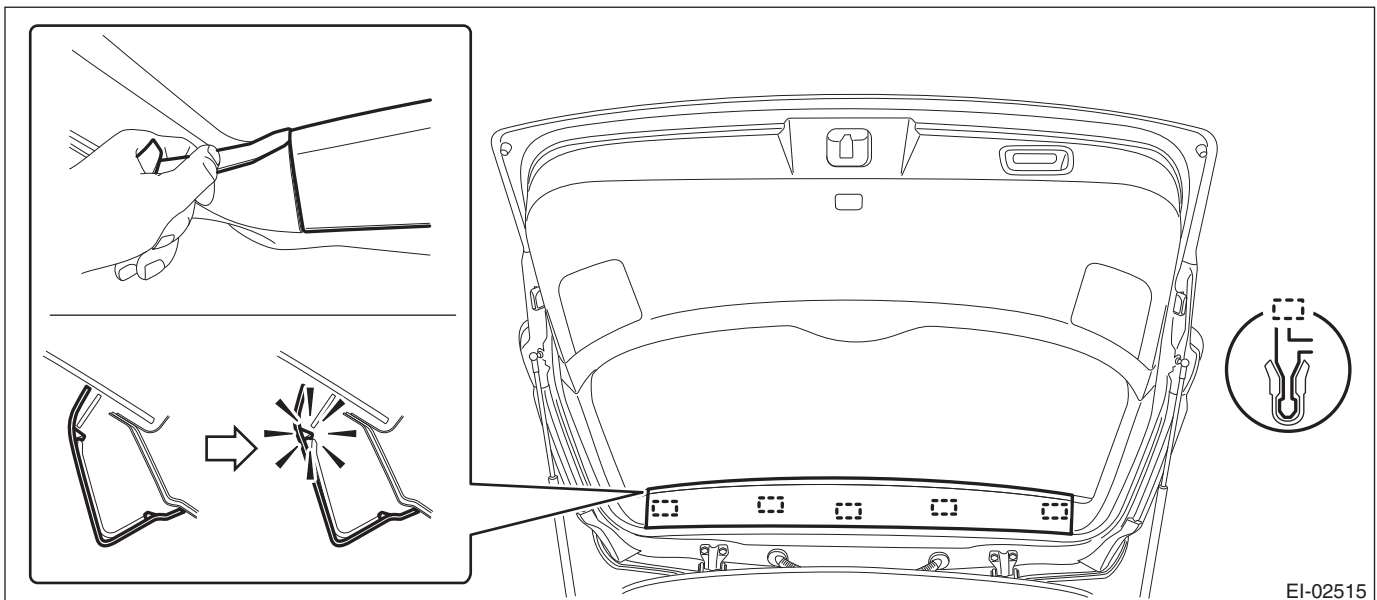
A: REMOVAL

- 1) Disconnect the ground cable from battery.
- 2) Remove the rear wiper arm assembly.
 - (1) Remove the wiper arm cover.
 - (2) Remove the nut and remove the wiper arm.



WW-00758

- 3) Remove the rear gate trim.
 - (1) Remove the rear gate upper trim.
 - a) Remove the claws on the trim edge.
 - b) Disconnect the claws in the center of trim, and remove the rear gate upper trim.

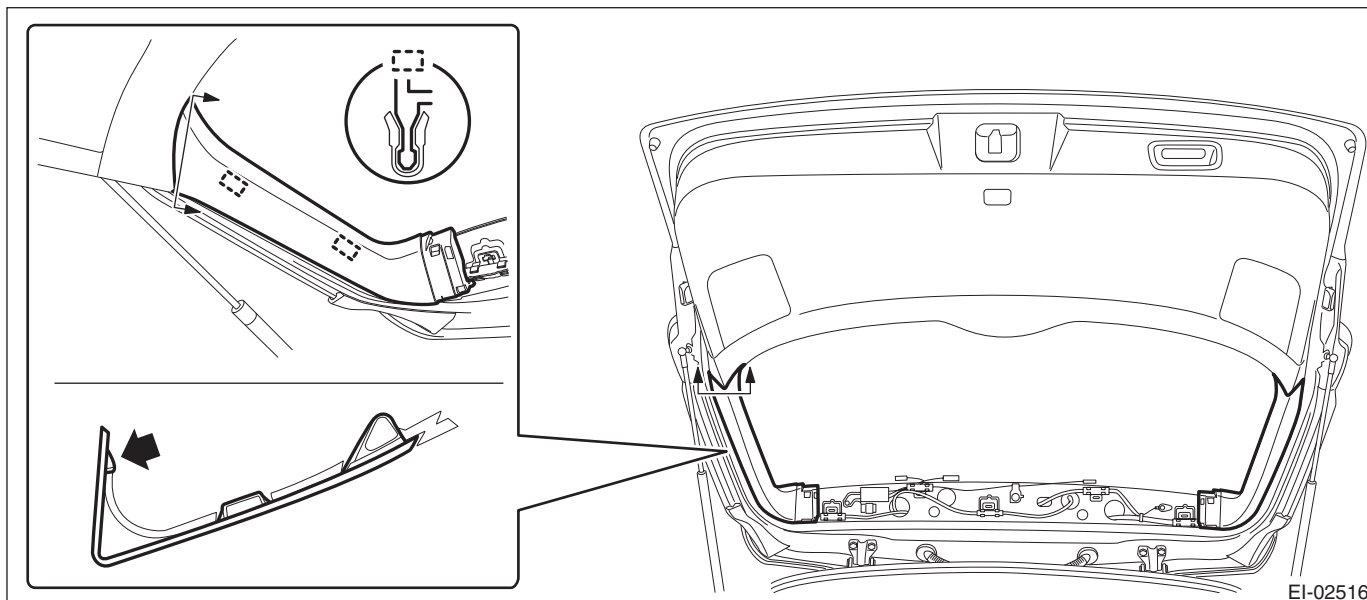


EI-02515

Rear Wiper Motor

WIPER AND WASHER SYSTEMS

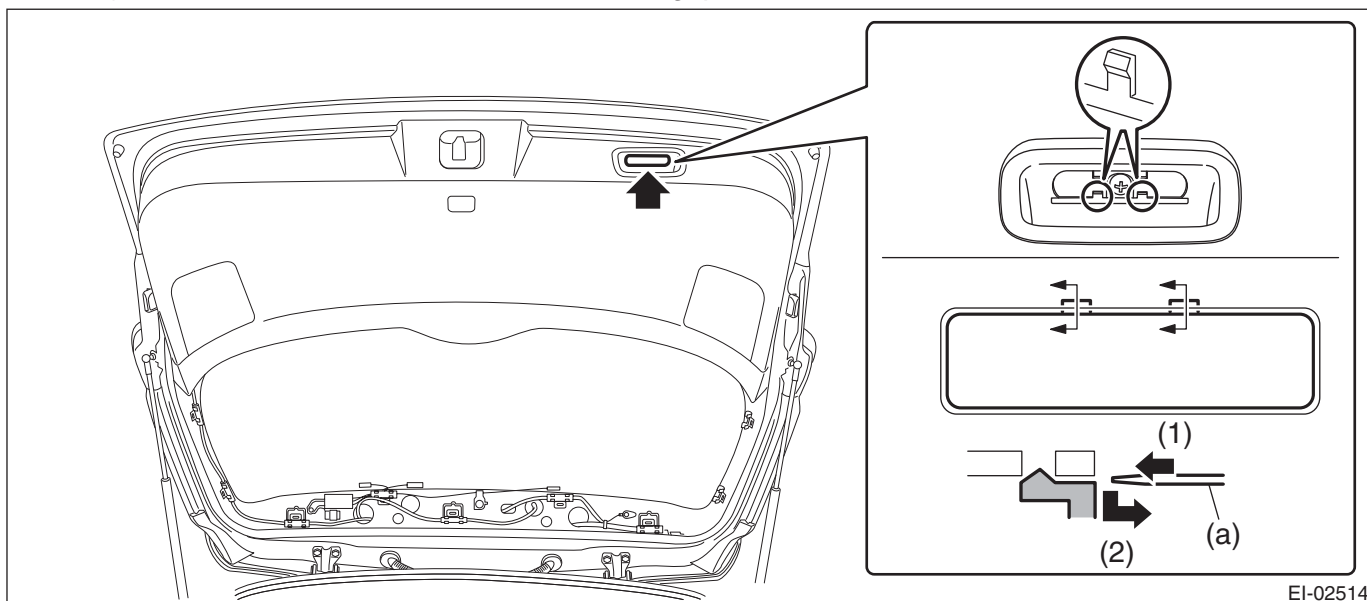
- (2) Remove the rear gate pillar trim.
 - a) Release the claws.
 - b) Remove the claws on the bottom of trim, and remove the rear gate pillar trim.



- (3) Remove the hand grip of rear gate.

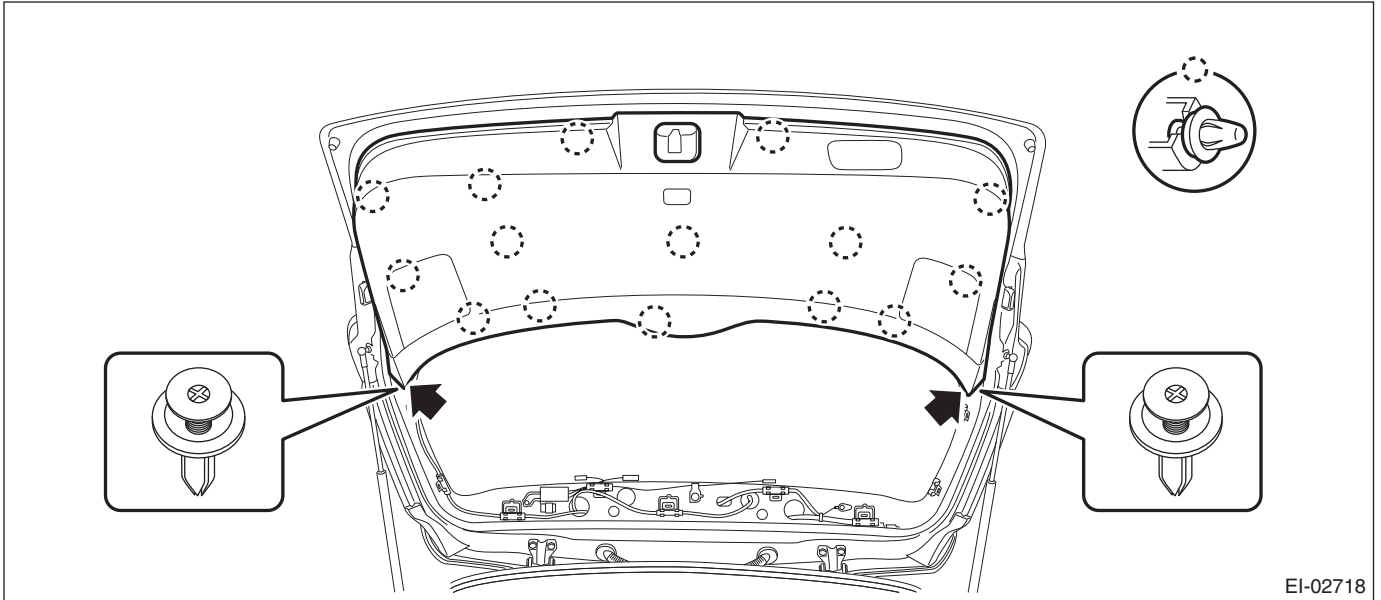
CAUTION:

- Be careful not to scratch the trim.
 - To protect the trim from damage, attach a protective tape to the tool in use.
- a) Insert a precision screwdriver (a).
 - b) With the screwdriver inserted, push it down to release the claw and pull it toward you.
 - c) Remove the screws and detach the hand grip.



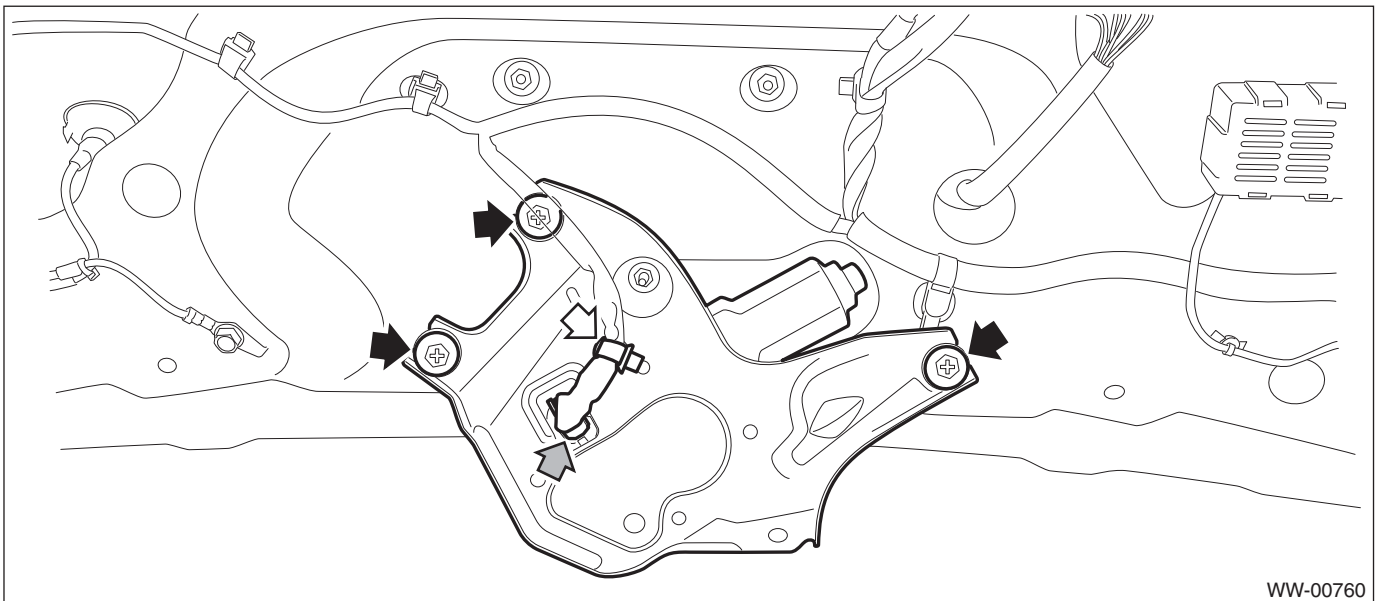
- (4) Remove the rear gate lower trim.
 - a) Remove the clips on both ends.

b) Release the clips and remove the rear gate lower trim.



4) Remove the rear wiper motor assembly.

- (1) Remove the harness clamp, and disconnect the harness connector of the wiper motor assembly.
- (2) Remove the bolts, and then remove the wiper motor assembly.

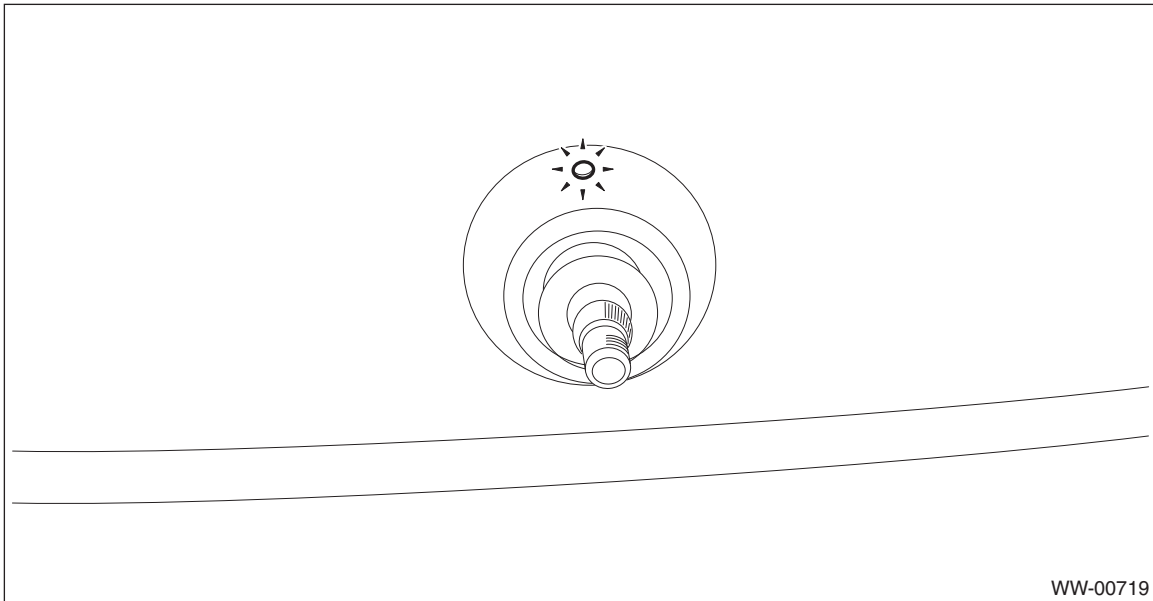


Rear Wiper Motor

WIPER AND WASHER SYSTEMS

B: INSTALLATION

- 1) Install each part in the reverse order of removal.
- 2) Make sure that the ○ mark on the pivot cap faces up, as shown in the figure.



Tightening torque:

Refer to "COMPONENT" of "General Description". <Ref. to WW-4, REAR WIPER, COMPONENT, General Description.>

C: INSPECTION

- 1) Connect the battery to the wiper motor connector and confirm that wiper motor operates.
- 2) Connect the battery to the terminals of connector, then run the motor and disconnect the terminal in mid motion.
- 3) Connect the battery and confirm that the motor stops at the automatic stop position after the motor operates at low speed again.

