

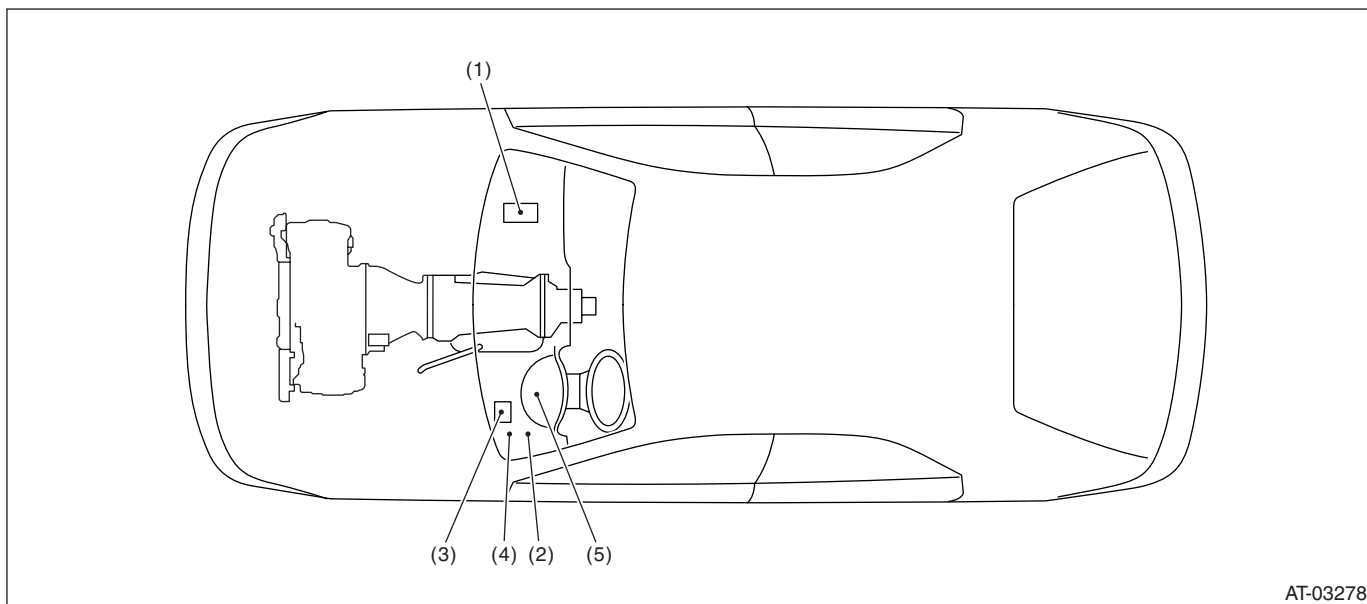
Electrical Component Location

AUTOMATIC TRANSMISSION (DIAGNOSTICS)

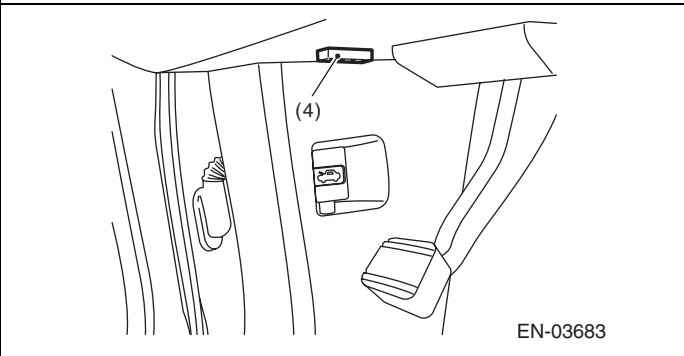
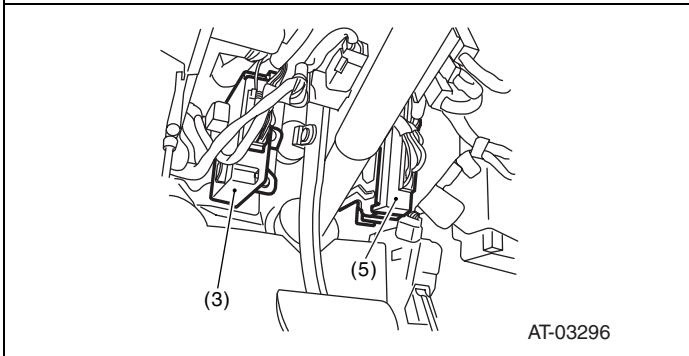
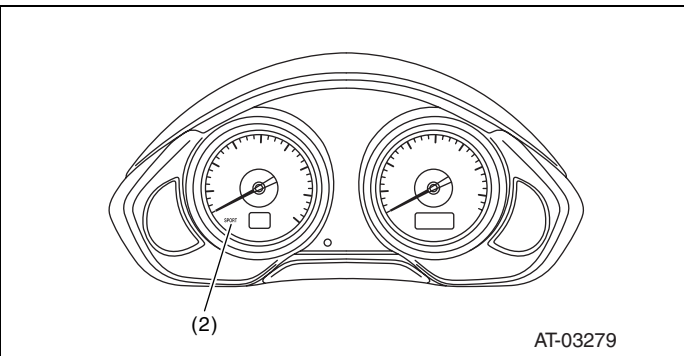
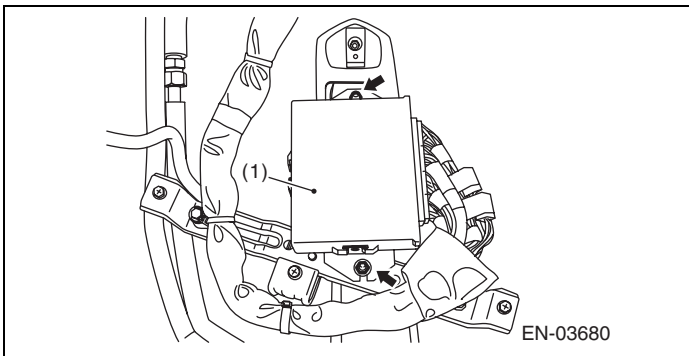
4. Electrical Component Location

A: LOCATION

1. CONTROL MODULE



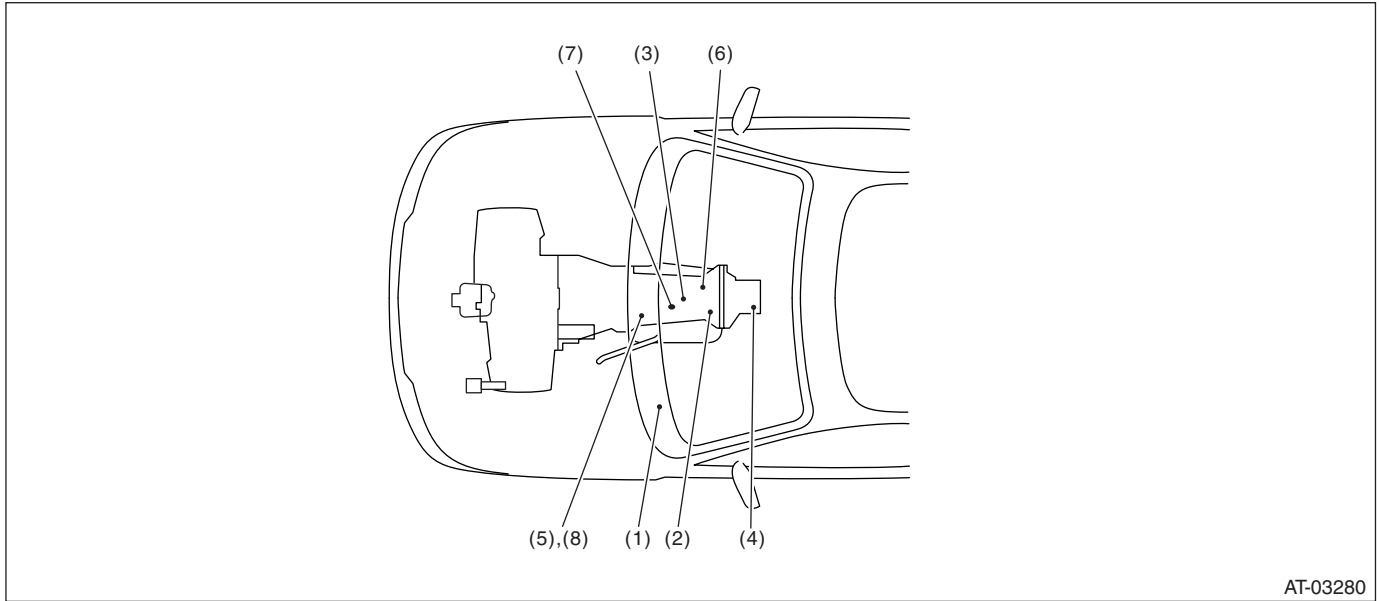
- | | | |
|--|---------------------------------------|--------------------------|
| (1) Engine control module (ECM) | (3) Transmission control module (TCM) | (4) Data link connector |
| (2) SPORT indicator light (AT warning light) | | (5) Body integrated unit |



Electrical Component Location

AUTOMATIC TRANSMISSION (DIAGNOSTICS)

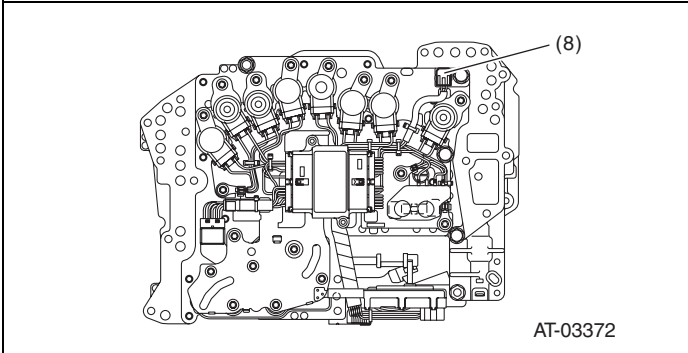
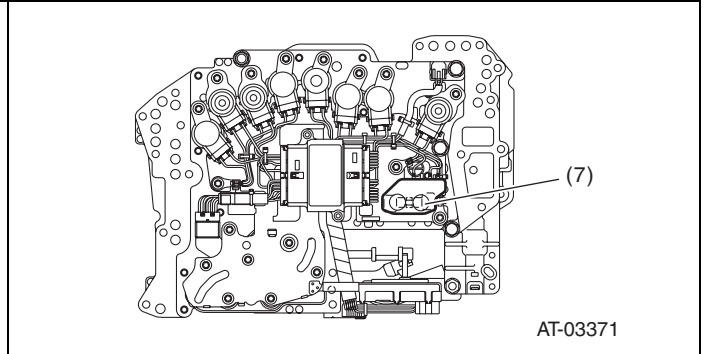
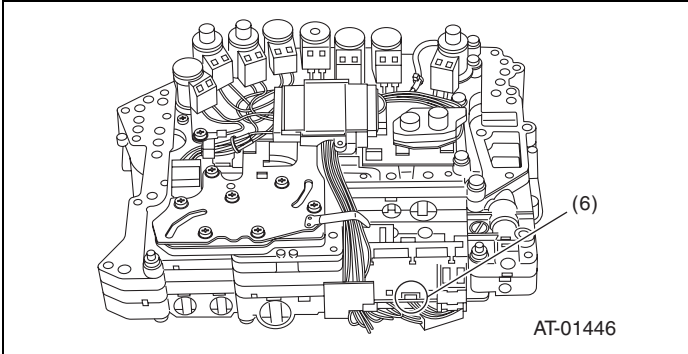
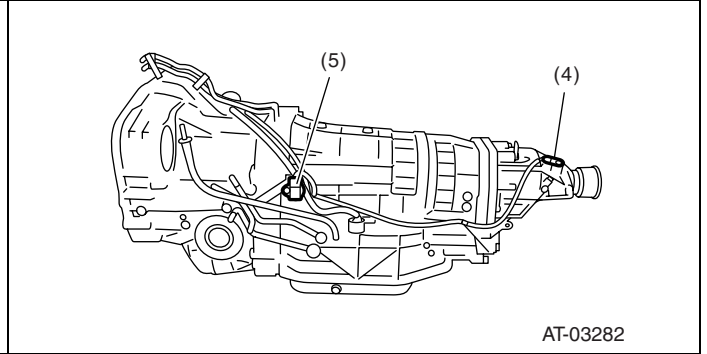
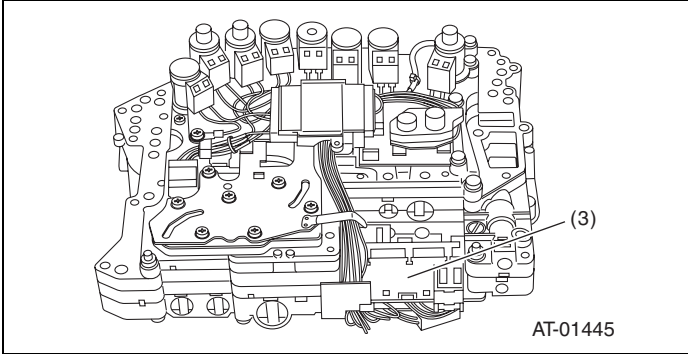
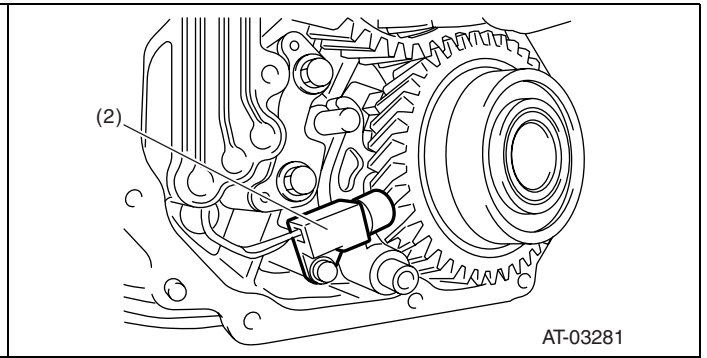
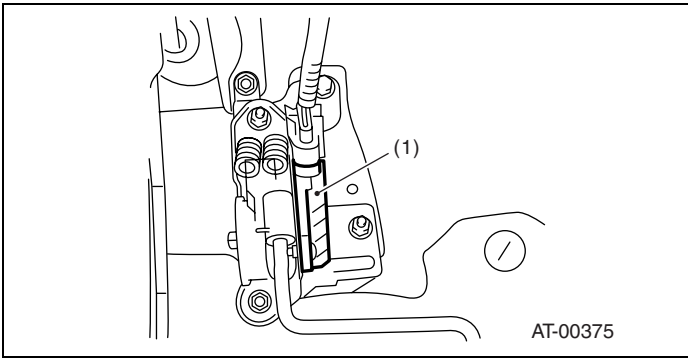
2. SENSOR



- | | | |
|---------------------------------------|-------------------------------|------------------------------|
| (1) Accelerator pedal position sensor | (4) Rear vehicle speed sensor | (7) Turbine speed sensor 2 |
| (2) Front vehicle speed sensor | (5) Turbine speed sensor 1 | (8) ATF temperature sensor 2 |
| (3) Inhibitor switch | (6) ATF temperature sensor 1 | |

Electrical Component Location

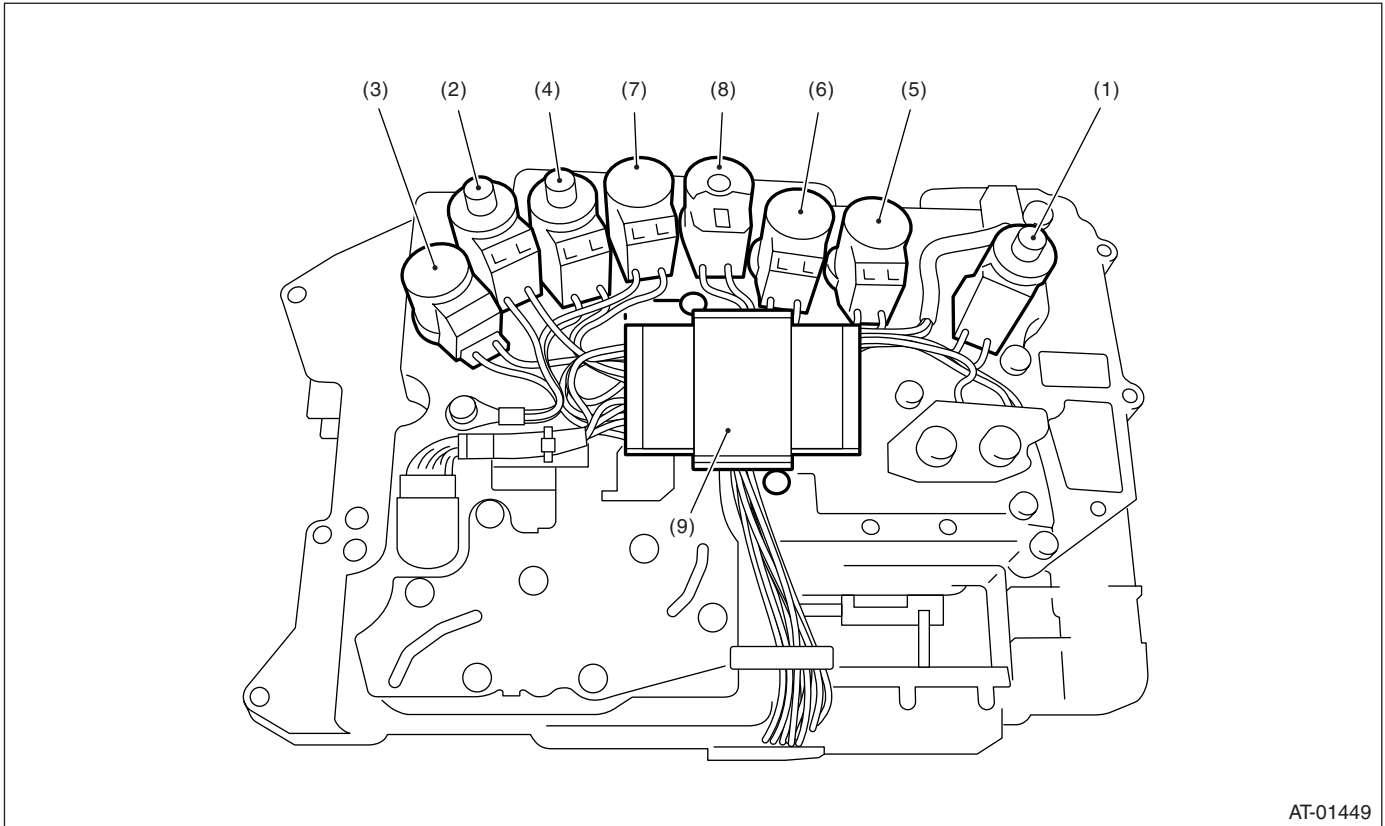
AUTOMATIC TRANSMISSION (DIAGNOSTICS)



Electrical Component Location

AUTOMATIC TRANSMISSION (DIAGNOSTICS)

3. SOLENOID



AT-01449

- | | | |
|--|----------------------------|------------------------------|
| (1) High & low reverse clutch solenoid | (4) Input clutch solenoid | (7) Transfer solenoid |
| (2) Direct clutch solenoid | (5) Line pressure solenoid | (8) Low coast brake solenoid |
| (3) Front brake solenoid | (6) Lock up solenoid | (9) Memory box |