

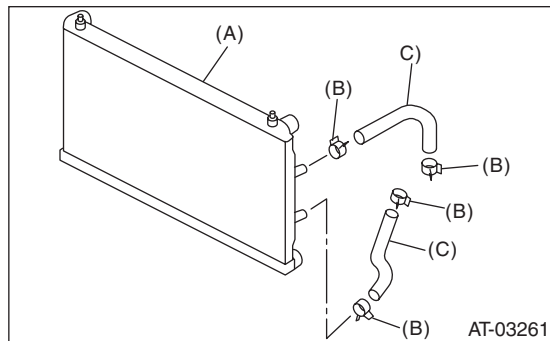
20. ATF Cooler Pipe & Hose

A: REMOVAL

- 1) Set the vehicle on a lift.
- 2) Lift-up the vehicle.
- 3) Remove the under cover.
- 4) Disconnect the ATF cooler hose from the radiator.

NOTE:

- Do not use a screwdriver or other pointed tools.
- If it is hard to remove the hose, wrap the hose with cloth to prevent from damaging it, and while turning with pliers, pull straight out by hand.

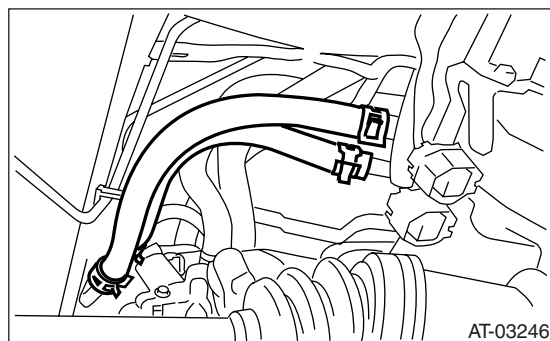


- (A) Radiator
- (B) Clip
- (C) ATF cooler hose

- 5) Disconnect the ATF cooler hoses from the pipes.

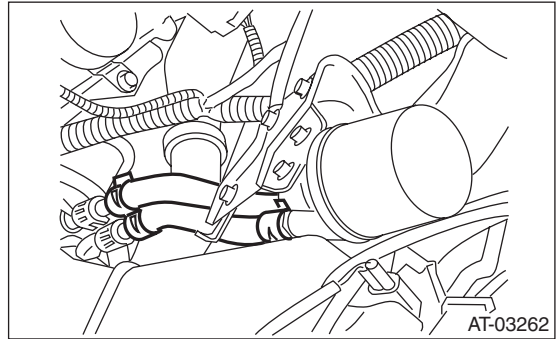
NOTE:

- Do not use a screwdriver or other pointed tools.
- If it is hard to remove the hose, wrap the hose with cloth to prevent from damaging it, and while turning with pliers, pull straight out by hand.

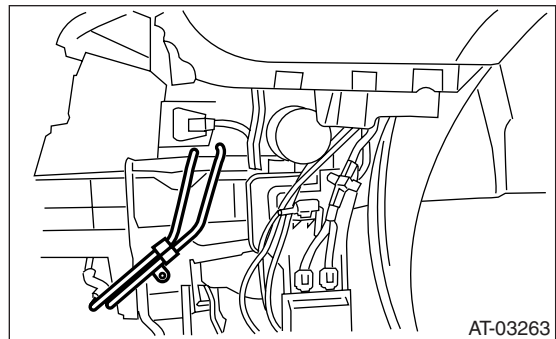


- 6) Remove the front bumper. <Ref. to EI-21, REMOVAL, Front Bumper.>

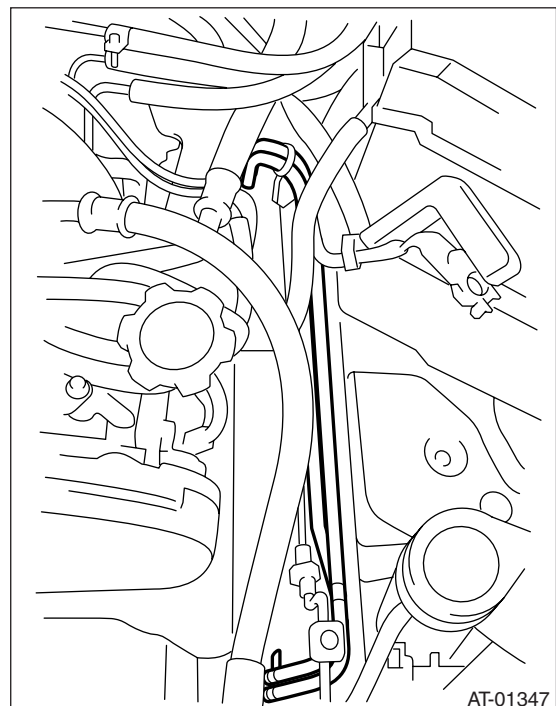
- 7) Remove the ATF filter inlet and outlet hoses.



- 8) Remove the bolts securing the ATF cooler pipe, and remove the ATF cooler hose.



- 9) Disconnect the ATF cooler pipe from frame.



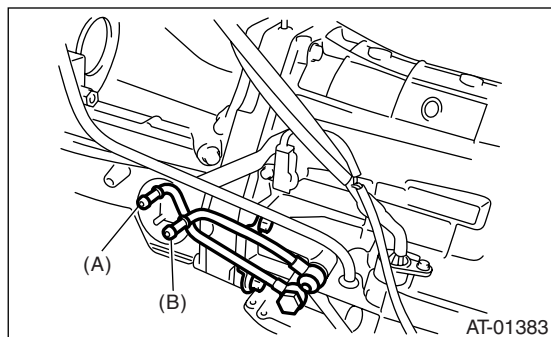
ATF Cooler Pipe & Hose

AUTOMATIC TRANSMISSION

10) Remove the oil cooler inlet and outlet pipes.

NOTE:

When disconnecting the outlet pipe, be careful not to lose the ball and spring used with retaining screw.



- (A) Outlet pipe
- (B) Inlet pipe

B: INSTALLATION

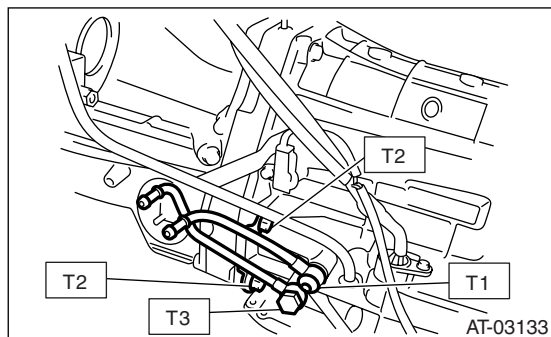
1) Install the oil cooler inlet and outlet pipes with new washer.

Tightening torque:

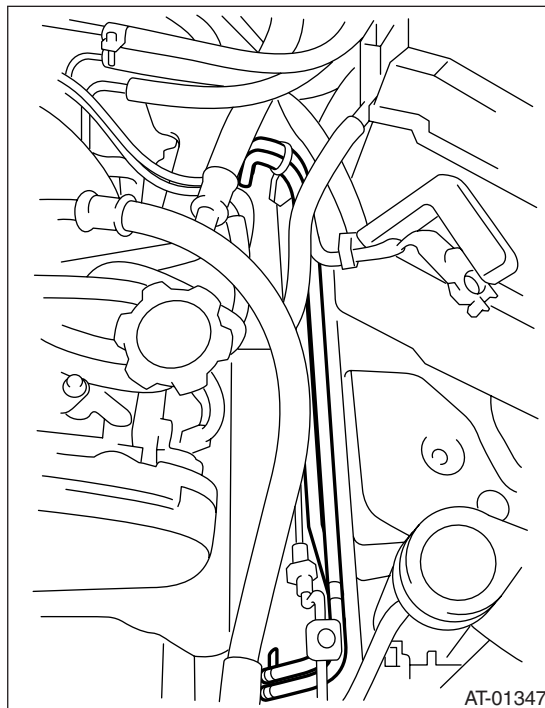
T1: 40 N·m (4.1 kgf-m, 29.5 ft-lb)

T2: 41 N·m (4.2 kgf-m, 30.4 ft-lb)

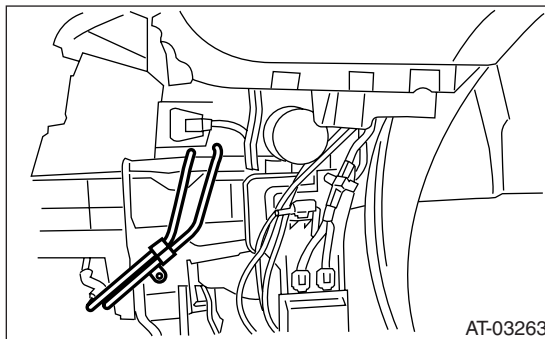
T3: 45 N·m (4.6 kgf-m, 33.2 ft-lb)



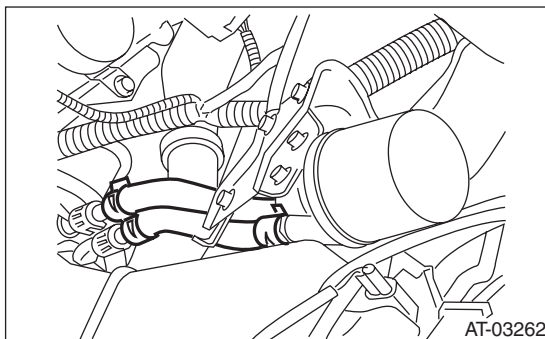
2) Install the ATF cooler pipe to frame.



3) Attach the bolts securing the ATF cooler pipe, and attach the ATF cooler hose.



4) Attach the ATF filter inlet and outlet hoses.

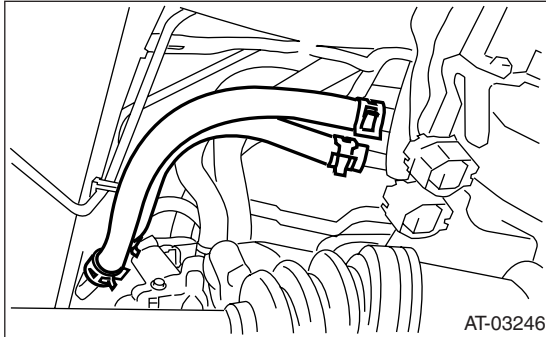


5) Install the front bumper. <Ref. to EI-22, INSTALLATION, Front Bumper.>

6) Connect the ATF cooler hose to the pipe on the transmission side.

NOTE:

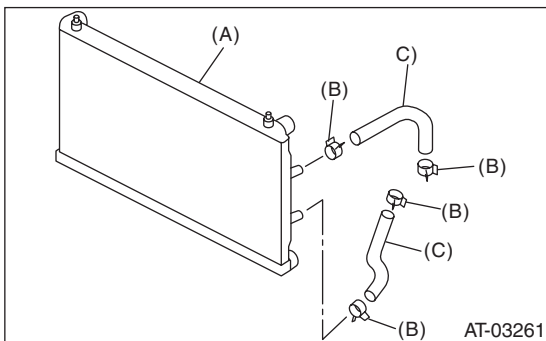
- Install so that the hose is not folded over, excessively bent or twisted.
- Insert the hose to the specified position.



7) Connect the ATF cooler hose to the pipe on the radiator side.

NOTE:

- Install so that the hose is not folded over, excessively bent or twisted.
- Insert the hose to the specified position.



- (A) Radiator
- (B) Clip
- (C) ATF cooler hose

8) Install the under cover.

9) Fill ATF. <Ref. to 5AT-26, Automatic Transmission Fluid.>

NOTE:

Make sure there are no ATF leaks in joints between the transmission, radiator, pipes, and hoses.

C: INSPECTION

Repair or replace any faulty hoses, pipes, clips, and washers found in the inspection below.

- 1) Check for ATF leaks in joints between the transmission, radiator, pipes, and hoses.
- 2) Check clips for deformation.
- 3) Lightly bend the hose and check for cracks in the surface or other damages.
- 4) Pinch the hose with your fingers and check for poor elasticity. Also check for poor elasticity in the parts where the clip was installed by pressing with your fingernail.
- 5) Check for peeling, cracks, and deformation at the tip of the hose.