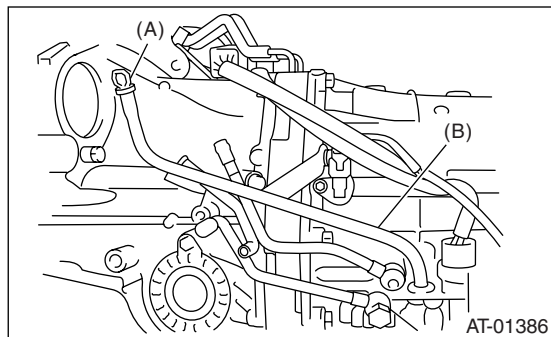


22.Oil Charge Pipe

A: REMOVAL

- 1) Remove the air intake chamber. <Ref. to IN(H6DO)-6, REMOVAL, Air Intake Chamber.>
- 2) Remove the oil charge pipe, and then remove the O-ring from flange side.



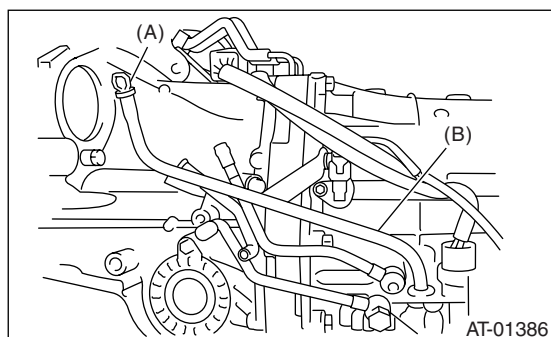
- (A) Oil level gauge
(B) Oil charge pipe

B: INSTALLATION

- 1) Install the oil charge pipe with a new O-ring.

Tightening torque:

41 N·m (4.2 kgf·m, 30.4 ft·lb)



- (A) Oil level gauge
(B) Oil charge pipe

- 2) Install the air intake chamber. <Ref. to IN(H6DO)-6, INSTALLATION, Air Intake Chamber.>

C: INSPECTION

Make sure the oil charge pipe is not deformed or damaged.