

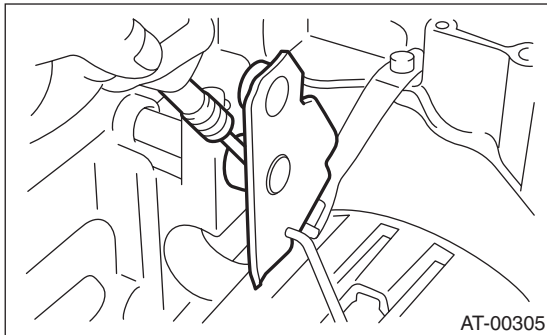
# Transmission Control Device

AUTOMATIC TRANSMISSION

## 35. Transmission Control Device

### A: REMOVAL

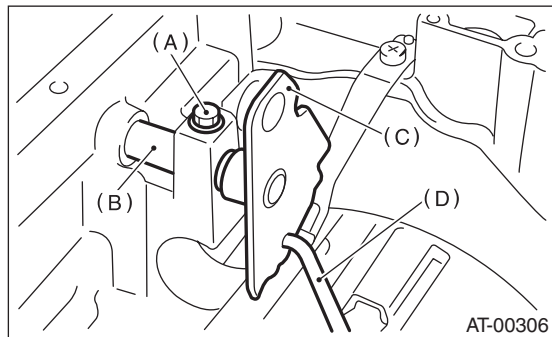
- 1) Remove the transmission assembly from vehicle body. <Ref. to 5AT-34, REMOVAL, Automatic Transmission Assembly.>
- 2) Pull out the torque converter assembly. <Ref. to 5AT-62, REMOVAL, Torque Converter Assembly.>
- 3) Lift-up the lever on the rear side of transmission harness connector, and then disconnect it from the stay.
- 4) Disconnect the air breather hose. <Ref. to 5AT-60, REMOVAL, Air Breather Hose.>
- 5) Wrap vinyl tape around the nipple attached to the air breather hose.
- 6) Remove the pitching stopper bracket.
- 7) Remove the control valve body assembly. <Ref. to 5AT-53, REMOVAL, Control Valve Body.>
- 8) Pull out the straight pin of manual plate.



- 9) Remove the bolts securing select lever, and then remove the select lever, manual plate and parking rod.

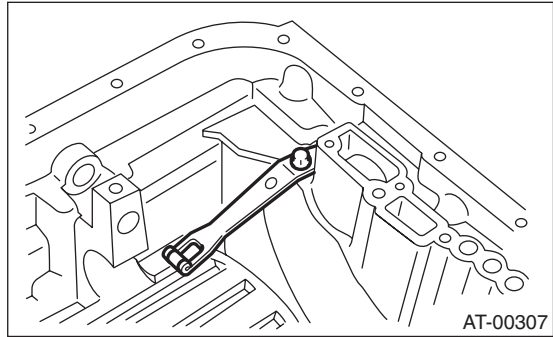
### NOTE:

Be careful not to damage the lips of press-fitted oil seal in the case.



- (A) Bolt
- (B) Range select lever
- (C) Manual plate
- (D) Parking rod

- 10) Remove the detention spring.

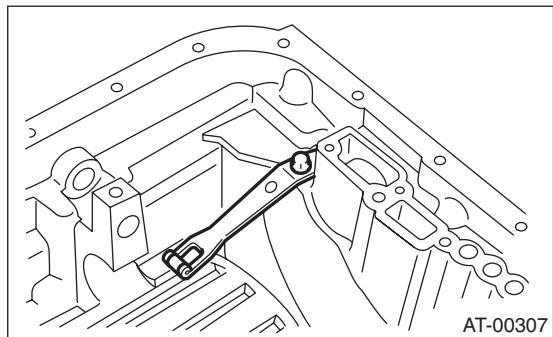


### B: INSTALLATION

- 1) Install the detention spring to the transmission case.

#### **Tightening torque:**

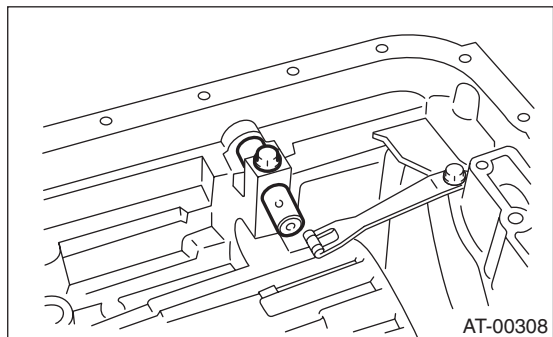
**7 N·m (0.7 kgf-m, 5.2 ft-lb)**



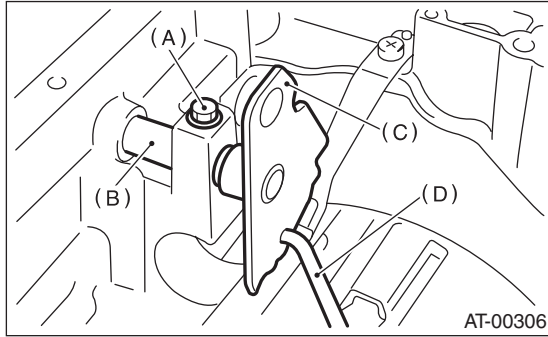
- 2) Insert the select lever, and then tighten the bolt.

#### **Tightening torque:**

**6 N·m (0.6 kgf-m, 4.4 ft-lb)**

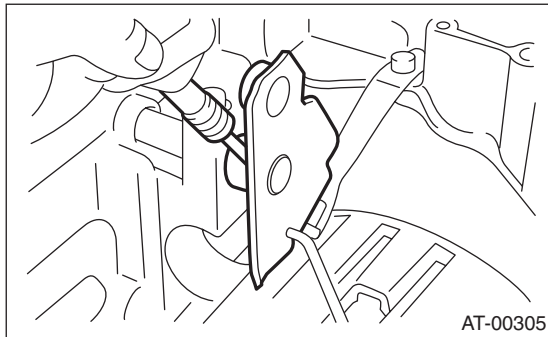


3) Insert the manual plate and parking rod.



- (A) Bolt
- (B) Range select lever
- (C) Manual plate
- (D) Parking rod

4) Insert the spring pin to the manual plate.



5) Install the oil pan and the control valve assembly. <Ref. to 5AT-53, INSTALLATION, Control Valve Body.>

6) Install the pitching stopper bracket.

**Tightening torque:**

**41 N·m (4.2 kgf·m, 30.4 ft·lb)**

7) Insert the transmission connector to the stay.

8) Install the air breather hose. <Ref. to 5AT-60, INSTALLATION, Air Breather Hose.>

9) Install the torque converter assembly. <Ref. to 5AT-62, INSTALLATION, Torque Converter Assembly.>

10) Install the transmission assembly to the vehicle. <Ref. to 5AT-37, INSTALLATION, Automatic Transmission Assembly.>

**C: INSPECTION**

Make sure the manual lever and detent spring are not worn or otherwise damaged.

# Transmission Control Device

AUTOMATIC TRANSMISSION

---