

# Turbine Speed Sensor 1

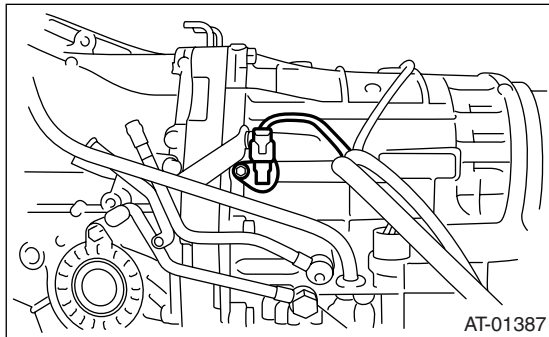
AUTOMATIC TRANSMISSION

---

## 16. Turbine Speed Sensor 1

### A: REMOVAL

- 1) Remove the air intake chamber. <Ref. to IN(H6DO)-6, REMOVAL, Air Intake Chamber.>
- 2) Lift-up the vehicle.
- 3) Disconnect the turbine speed sensor 1 connector.



- 4) Remove the turbine speed sensor 1.

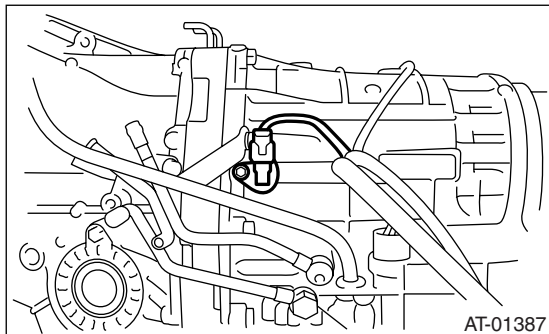
### B: INSTALLATION

- 1) Install the turbine speed sensor 1.

#### **Tightening torque:**

**7 N·m (0.7 kgf-m, 5.2 ft-lb)**

- 2) Connect the turbine speed sensor 1 connector.



- 3) Lower the vehicle.
- 4) Install the air intake chamber. <Ref. to IN(H6DO)-6, INSTALLATION, Air Intake Chamber.>