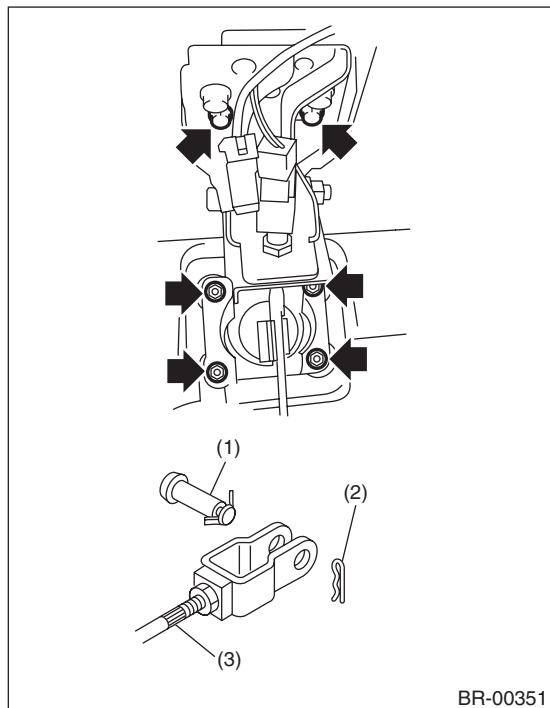


14.Brake Pedal

A: REMOVAL

- 1) Remove the steering shaft.
- 2) Disconnect the connector (stop light switch etc.) from the pedal bracket.
- 3) Remove the clevis pin which secures the lever and push rod.
- 4) Remove the bolt and nut which secures the pedal bracket.



- (1) Clevis pin
- (2) Snap pin
- (3) Operating rod

B: INSTALLATION

- 1) Install in the reverse order of removal.

CAUTION:

Always use a new clevis pin.

- 2) Check the brake pedal after installation. <Ref. to BR-39, INSPECTION, Brake Pedal.>

C: INSPECTION

- 1) Move the brake pedal pads in a horizontal direction with a force of approx. 10 N (1 kgf, 2 lb), and check that the pedal deflection is in the range of specifications.

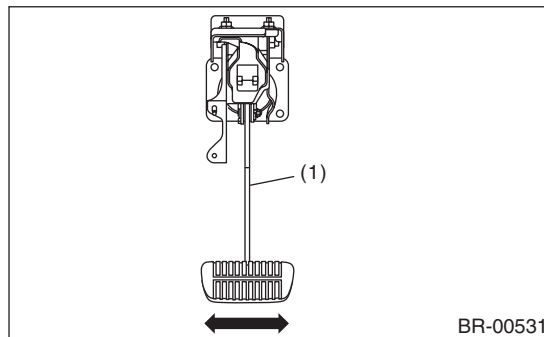
CAUTION:

If excessive deflection is noted, replace with a new bushing.

Deflection of brake pedal:

Limit

4.0 mm (0.157 in) or less



- (1) Brake pedal

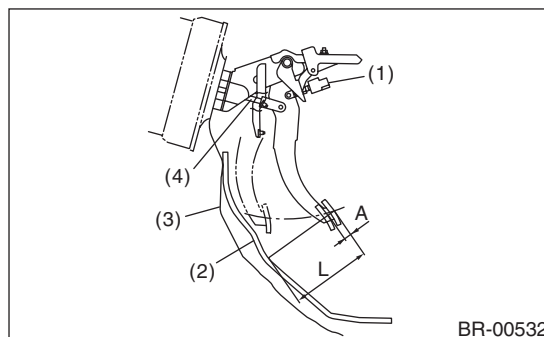
- 2) Check the position of the pedal pad.

Pedal height L:

155 — 175 mm (6.10 — 6.89 in)

Brake pedal free play A:

0.5 — 2 mm (0.02 — 0.08 in) [When pulling the brake pedal upward with a force of less than 10 N (1 kgf, 2 lb).]



- (1) Stop light switch
- (2) Mat
- (3) Toe board
- (4) Brake booster operating rod

- 3) If it is not within the specification, adjust it by adjusting the brake booster operating rod length.