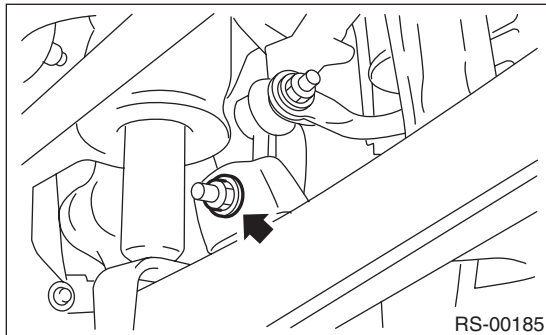


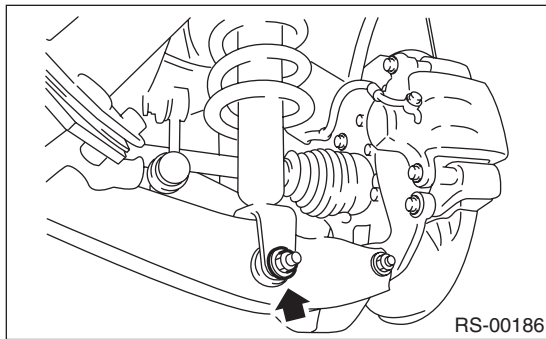
6. Rear Shock Absorber

A: REMOVAL

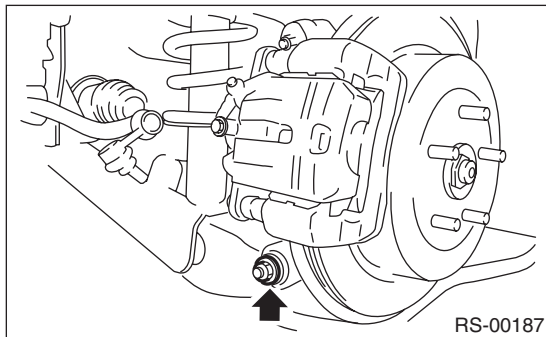
- 1) Remove the strut cap of quarter trim.
- 2) Lift up the vehicle, and then remove the rear wheels.
- 3) Remove the nut and detach the rear stabilizer link.



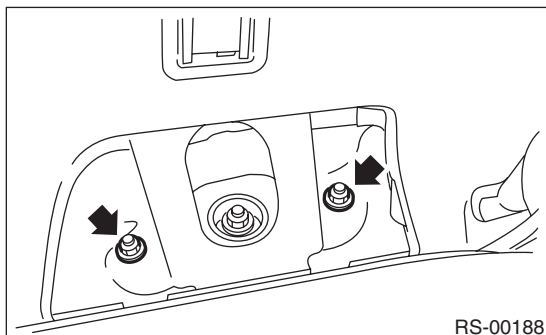
- 4) Remove the bolts on the bottom side of the shock absorber.



- 5) Detach the rear lateral link.



- 6) Remove the nuts of the shock absorber mount.



- 7) Remove the shock absorber.

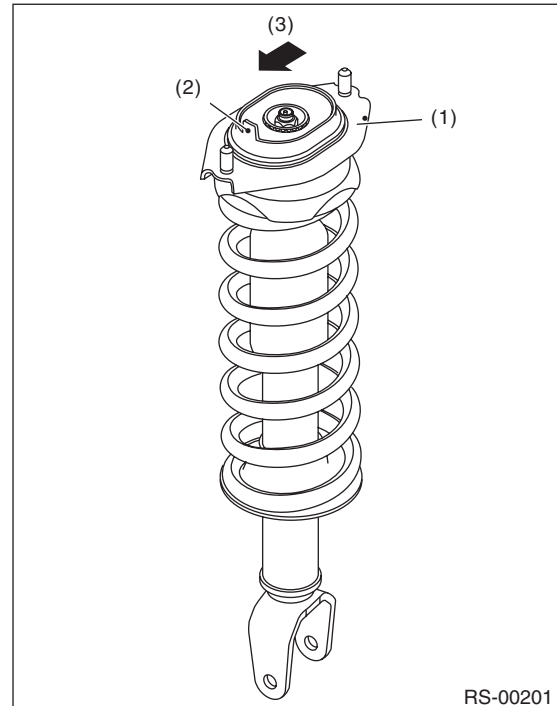
B: INSTALLATION

NOTE:

- Be sure to use a new self-locking nut.
 - Always tighten the stabilizer bushing in the state where the vehicle is at curb weight and the wheels are in full contact with the ground.
- 1) Install in the reverse order of removal.

CAUTION:

Attach so that the protrusion on the top of the mount is pointed towards the front of the vehicle.



- (1) Mount
- (2) Protrusion portion
- (3) Front side of vehicle

Tightening torque:

Refer to "COMPONENT" of "General Description" for the tightening torque. <Ref. to RS-3, COMPONENT, General Description.>

- 2) Check the wheel alignment and adjust it if necessary.

Rear Shock Absorber

REAR SUSPENSION

C: DISASSEMBLY

Refer to “Front Strut” for disassembly procedure.
<Ref. to FS-22, DISASSEMBLY, Front Strut.>

D: ASSEMBLY

Refer to “Front Strut” for installation procedures.
<Ref. to FS-22, ASSEMBLY, Front Strut.>

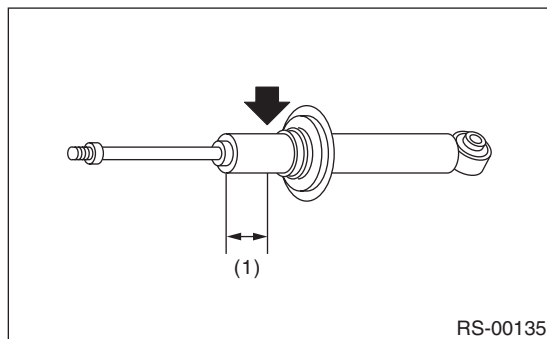
E: INSPECTION

Refer to “Front Strut” for inspection procedures.
<Ref. to FS-23, INSPECTION, Front Strut.>

F: DISPOSAL

CAUTION:

- Before handling the shock absorber, be sure to wear goggles to protect eyes from gas, oil and cutting powder.
 - Do not disassemble the shock absorber or place it into a fire.
 - Drill a hole into shock absorbers in case of discarding shock absorbers filled with gas.
- 1) Place the shock absorber on a level surface with the piston rod fully expanded.
 - 2) Make a hole into the specified position 30 mm (1.18 in) deep using a drill with 2 — 3 mm (0.08 — 0.12 in) diameter.



(1) 40 mm (1.57 in)