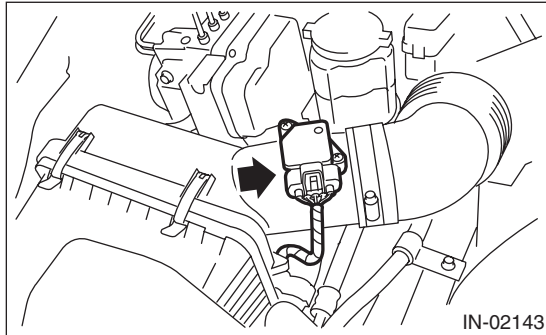


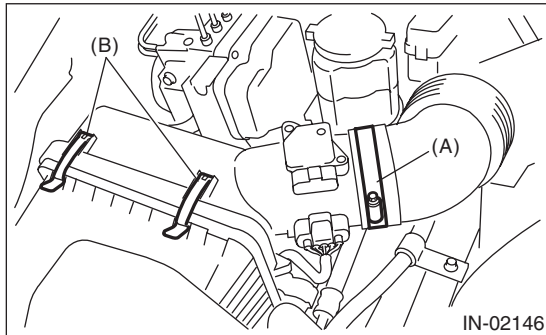
3. Air Cleaner Case

A: REMOVAL

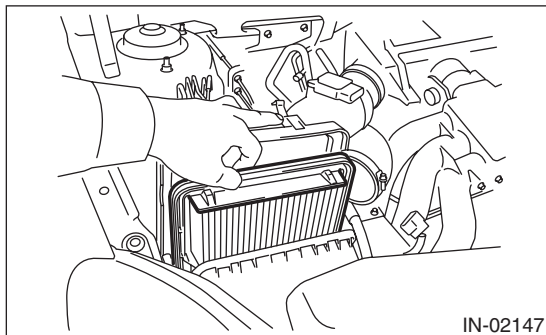
- 1) Disconnect the ground cable from the battery.
- 2) Remove the air intake duct. <Ref. to IN(H6DO)-7, REMOVAL, Air Intake Duct.>
- 3) Disconnect the connector from mass air flow and intake air temperature sensor.



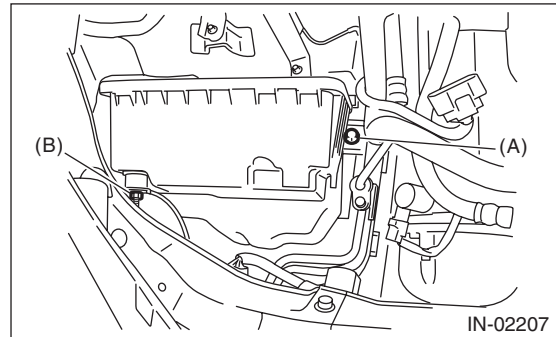
- 4) Loosen the clamp (A) which connect the air cleaner case (rear) to intake duct.
- 5) Remove the clip (B) on the upper side of air cleaner case.



- 6) Remove the air cleaner case (rear) and air cleaner element.



- 7) Remove the bolts (A) and nut (B) which secure the air cleaner case to body.



- 8) Remove the air cleaner case (front).

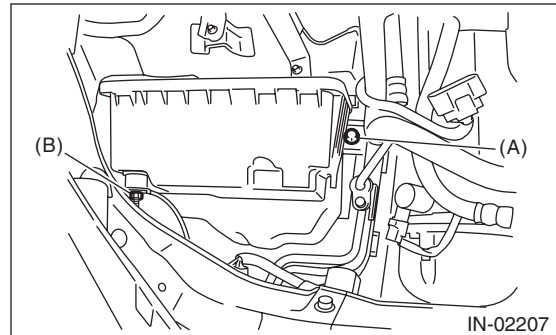
B: INSTALLATION

Install in the reverse order of removal.

Tightening torque:

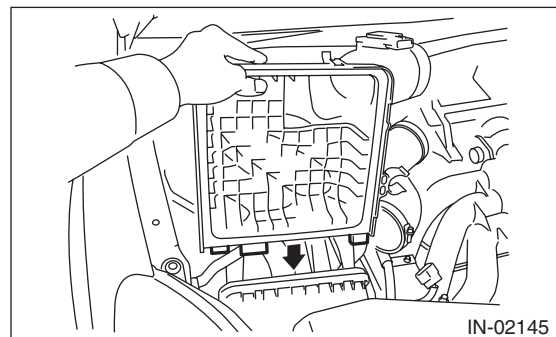
Bolt (A): 6.0 N·m (0.6 kgf-m, 4.4 ft-lb)

Nut (B): 7.5 N·m (0.76 kgf-m, 5.5 ft-lb)



NOTE:

Fasten with a clip after inserting the lower tab of case.



C: INSPECTION

Check for cracks or loose connections.