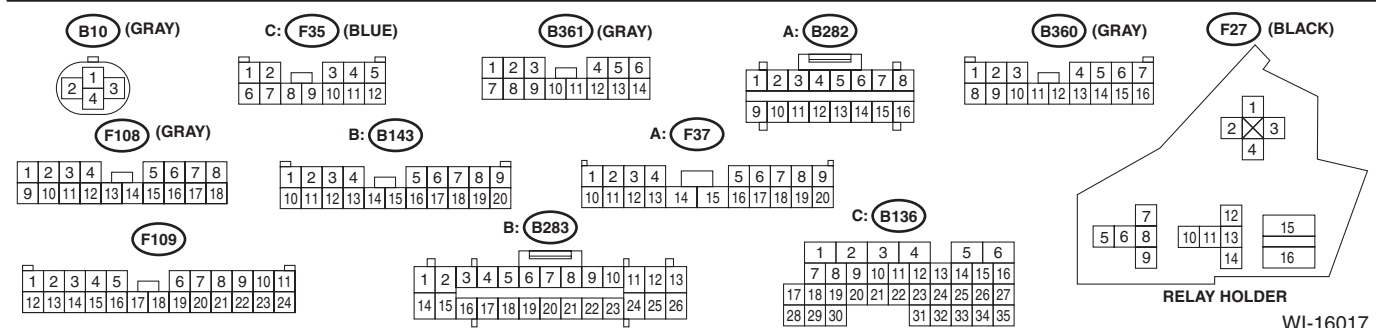
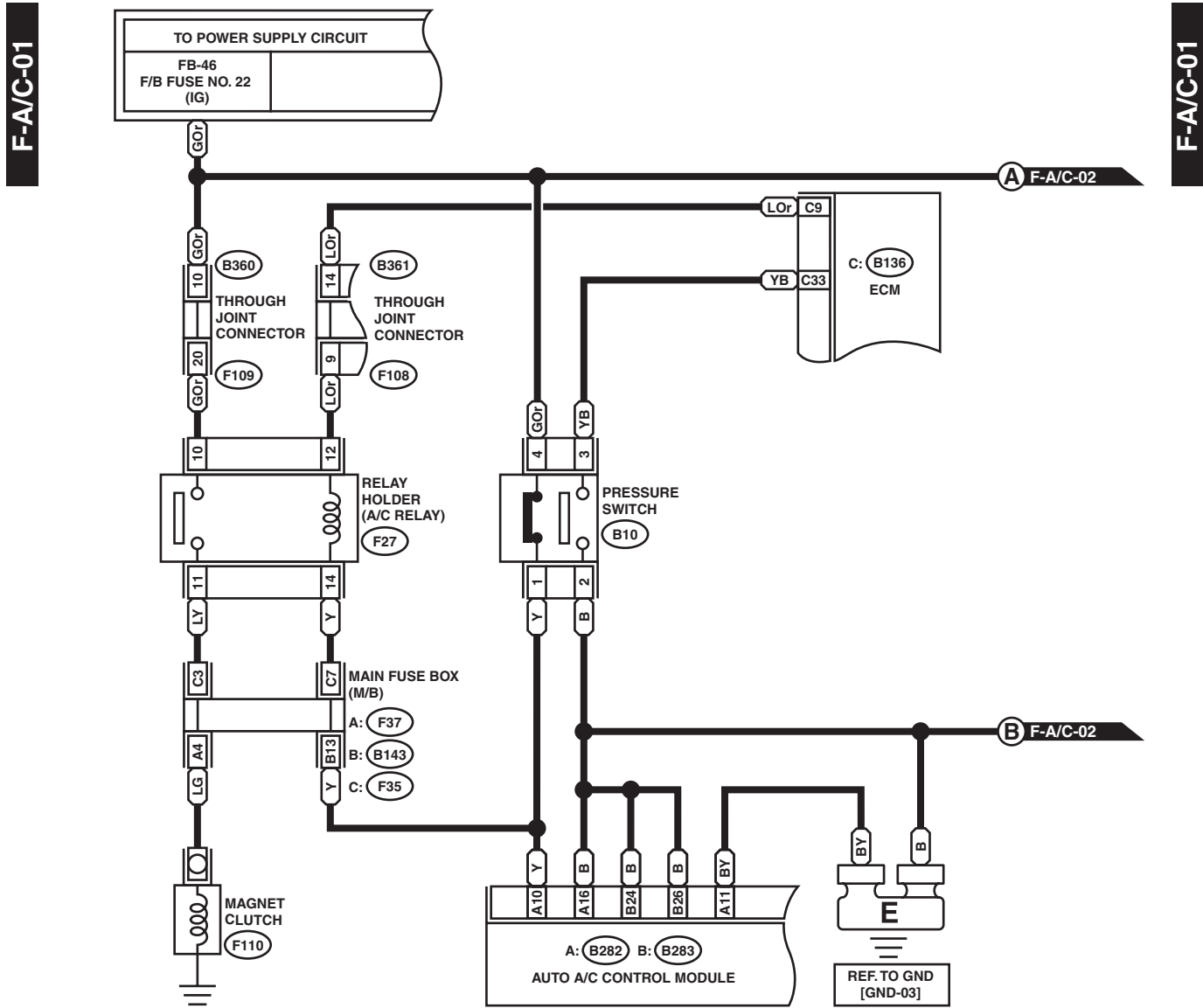


11. Air Conditioning System

A: WIRING DIAGRAM

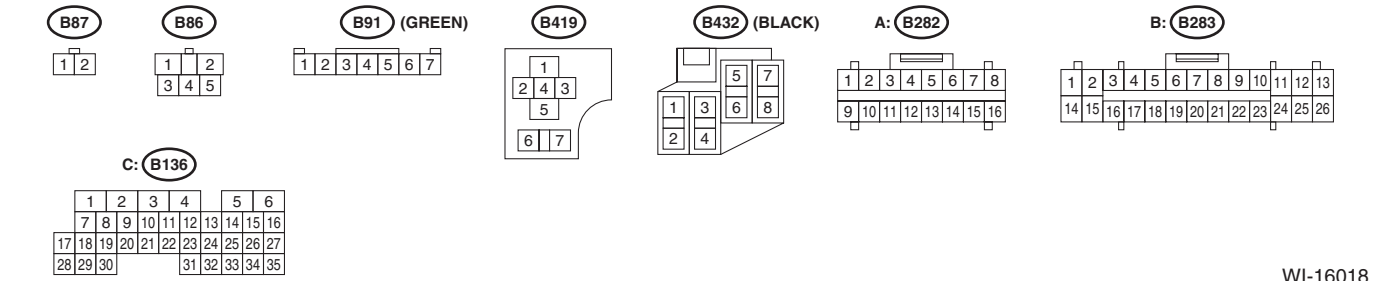
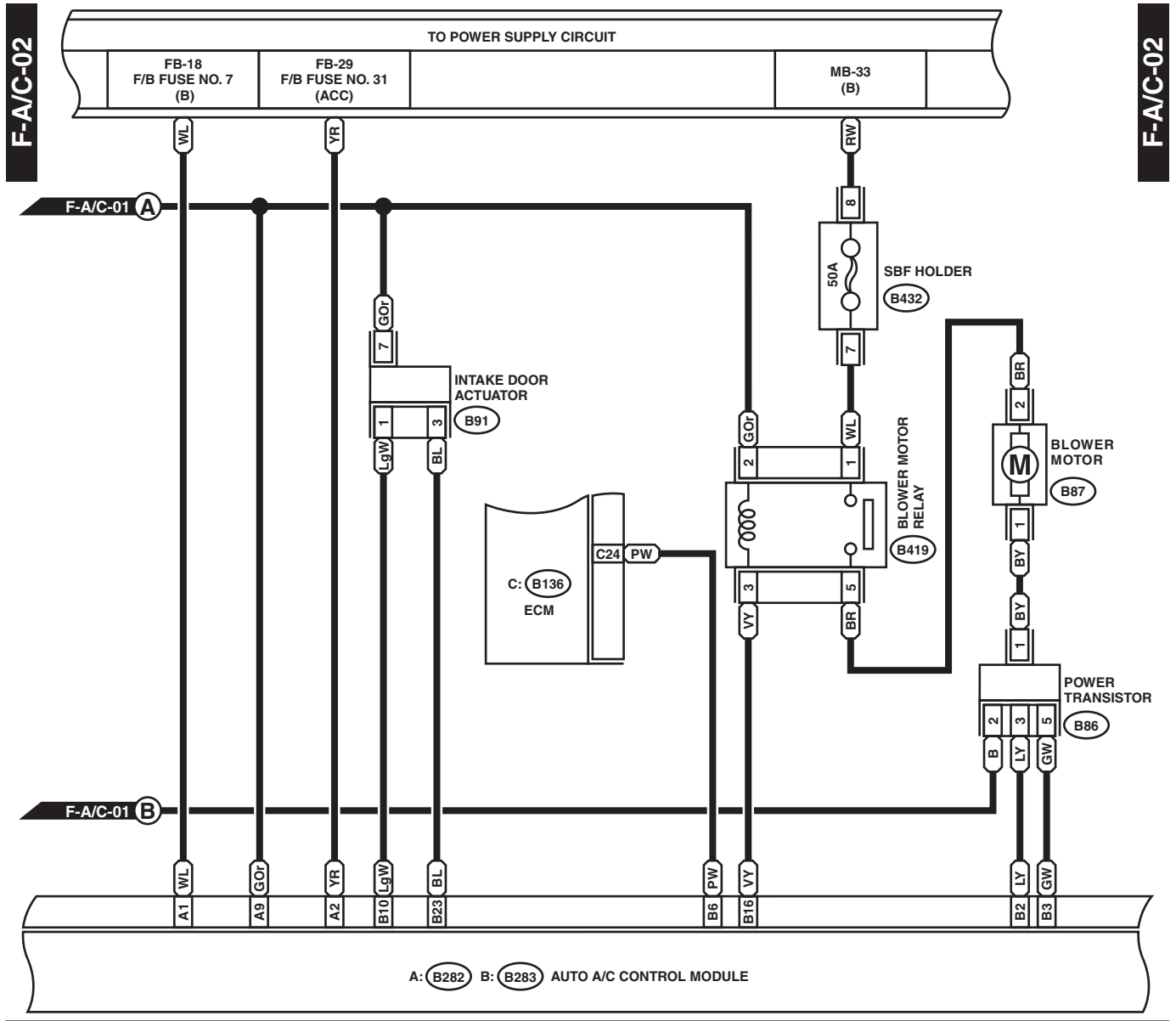
1. FRONT A/C



WI-16017

Air Conditioning System

WIRING SYSTEM



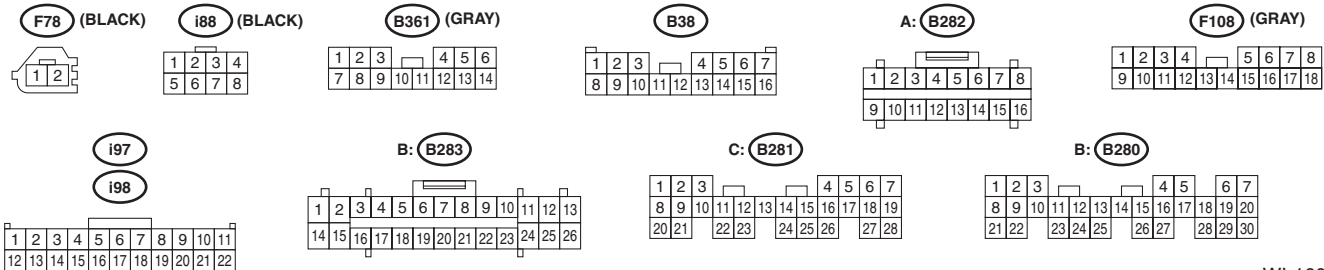
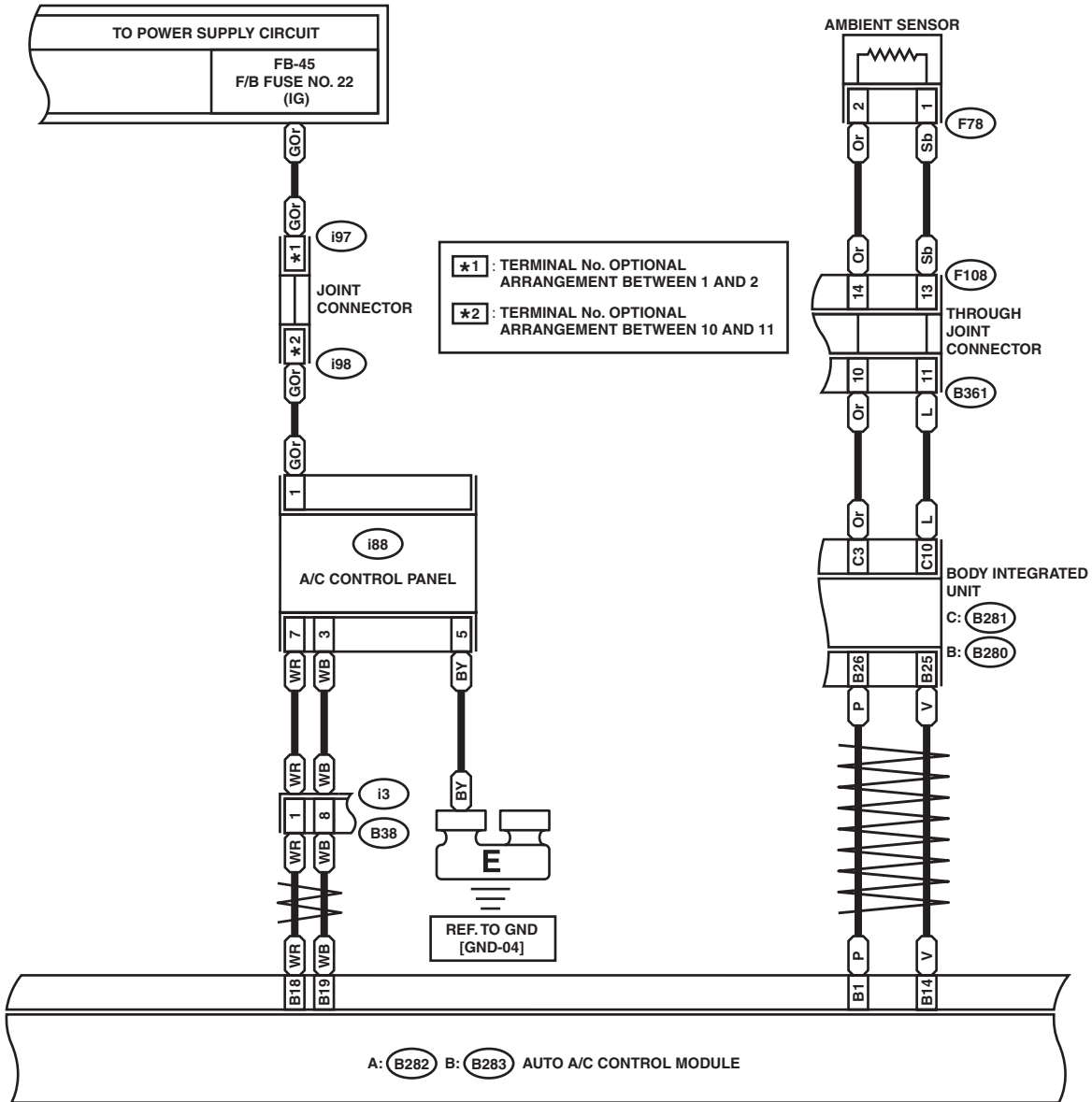
WI-16018

Air Conditioning System

WIRING SYSTEM

F-A/C-03

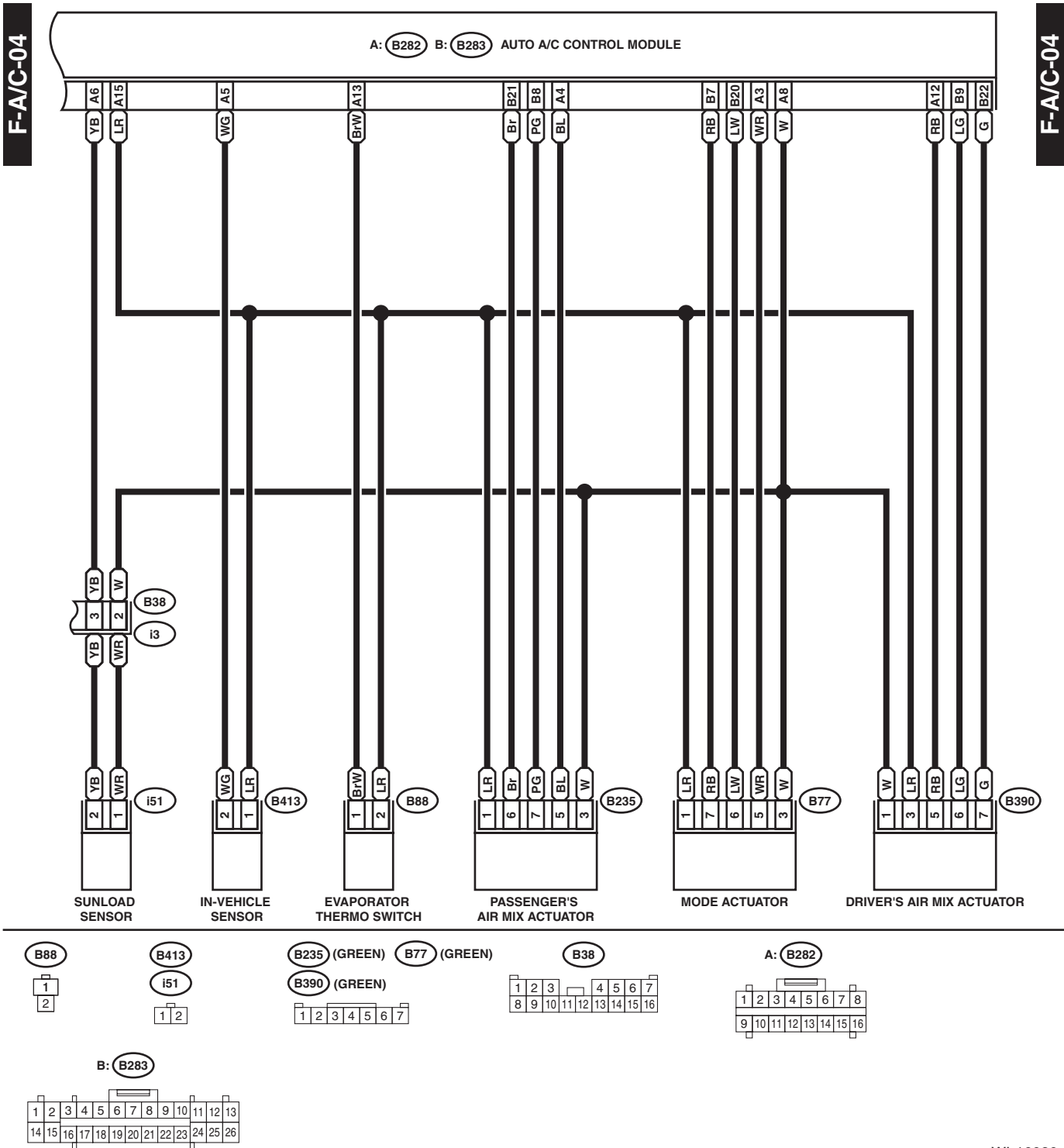
F-A/C-03



WI-16019

Air Conditioning System

WIRING SYSTEM



F-A/C-04

F-A/C-04

WI-16020

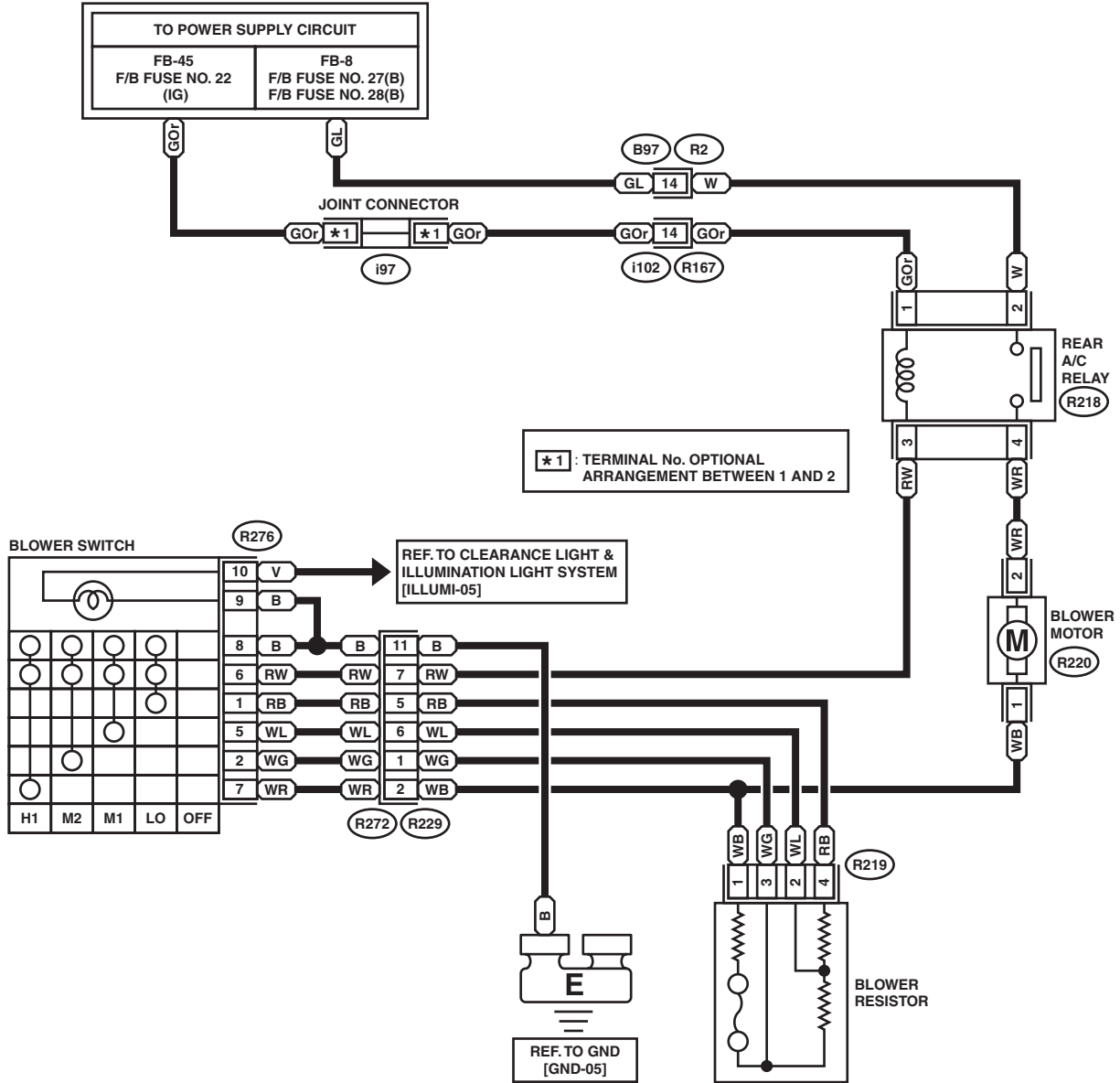
Air Conditioning System

WIRING SYSTEM

2. REAR A/C

R-A/C-01

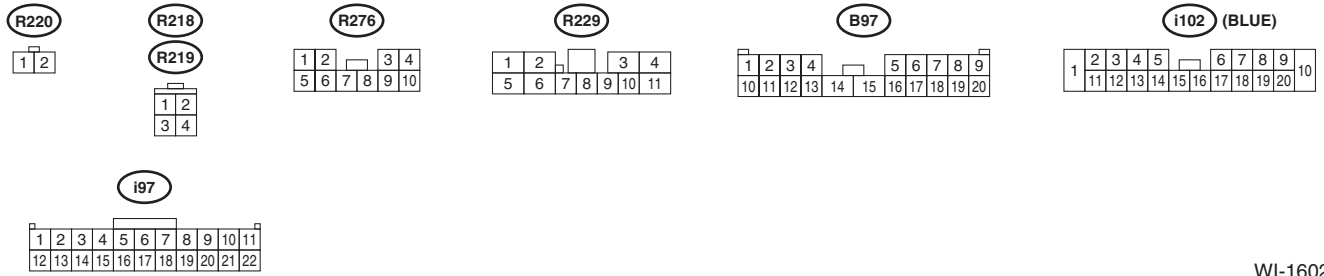
R-A/C-01



* 1 : TERMINAL No. OPTIONAL ARRANGEMENT BETWEEN 1 AND 2

REF. TO CLEARANCE LIGHT & ILLUMINATION LIGHT SYSTEM [ILLUMI-05]

REF. TO GND [GND-05]



WI-16021