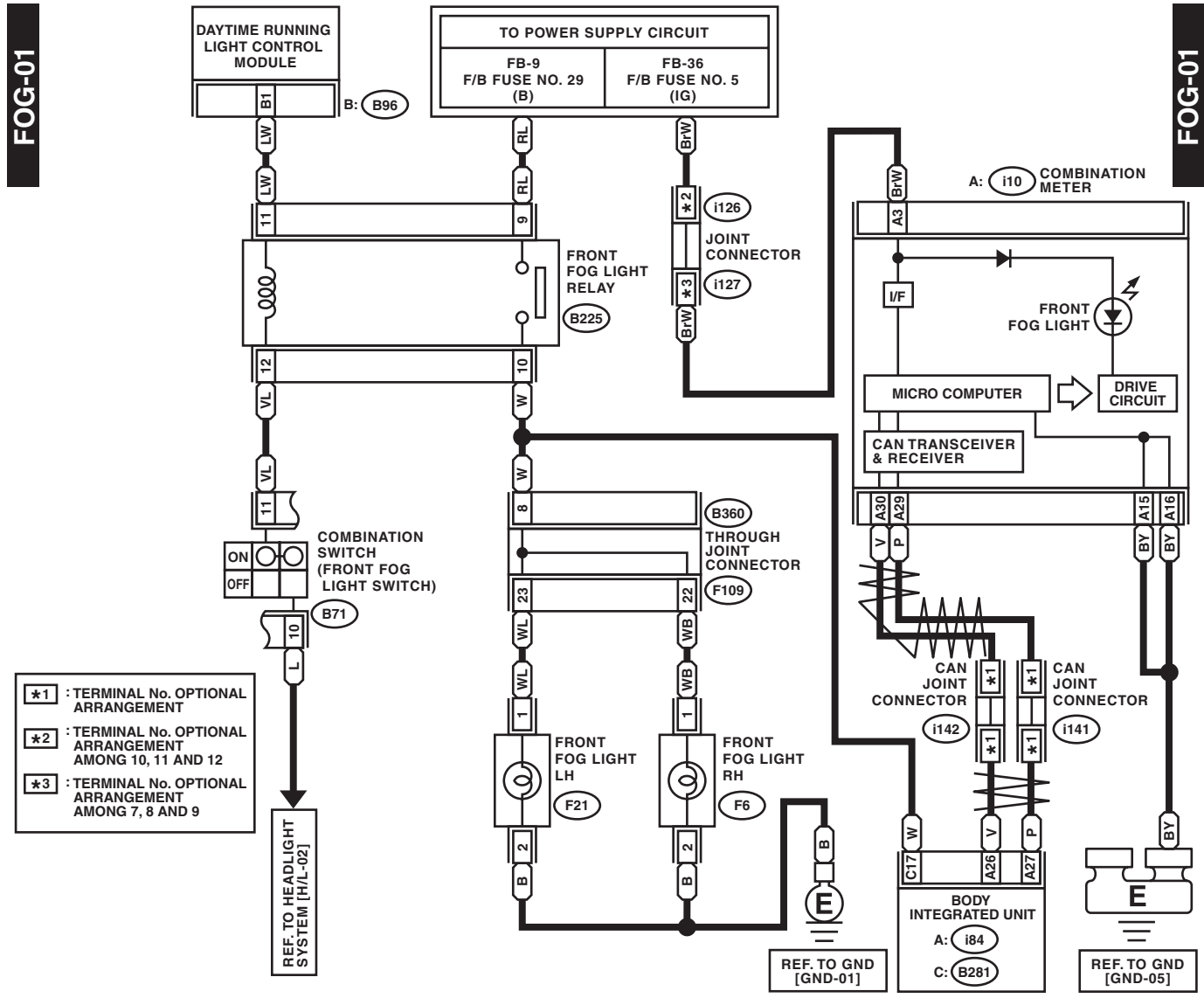
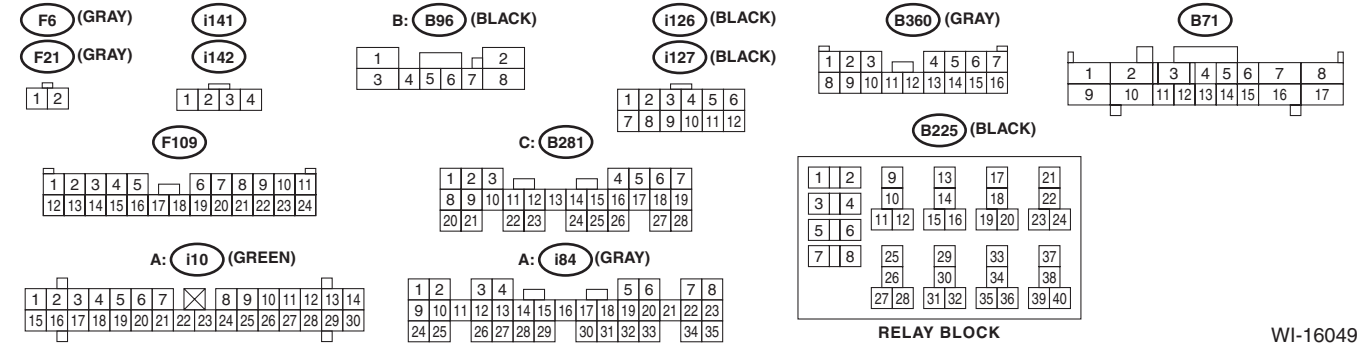


## 26. Front Fog Light System

### A: WIRING DIAGRAM



- \*1 : TERMINAL No. OPTIONAL ARRANGEMENT
- \*2 : TERMINAL No. OPTIONAL ARRANGEMENT AMONG 10, 11 AND 12
- \*3 : TERMINAL No. OPTIONAL ARRANGEMENT AMONG 7, 8 AND 9



WI-16049