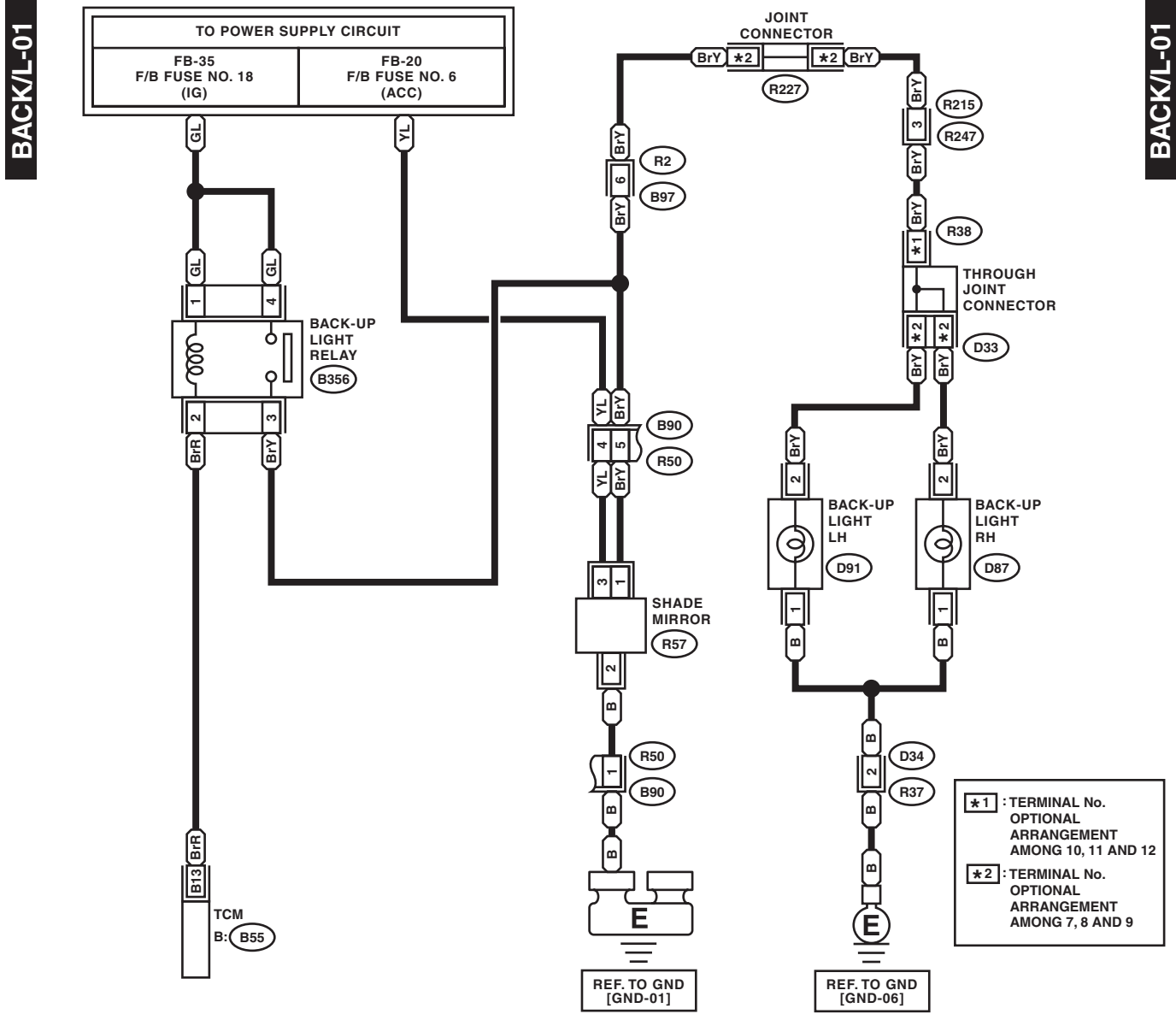


# Back-up Light System

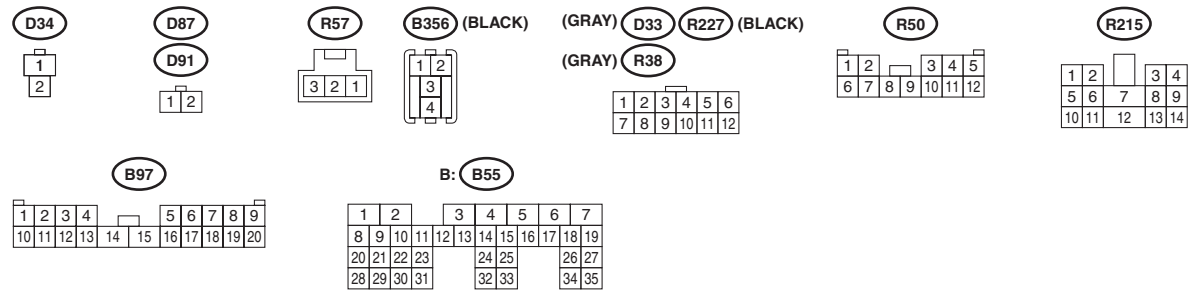
WIRING SYSTEM

## 27. Back-up Light System

### A: WIRING DIAGRAM



★1 : TERMINAL No. OPTIONAL ARRANGEMENT AMONG 10, 11 AND 12  
 ★2 : TERMINAL No. OPTIONAL ARRANGEMENT AMONG 7, 8 AND 9



WI-16050