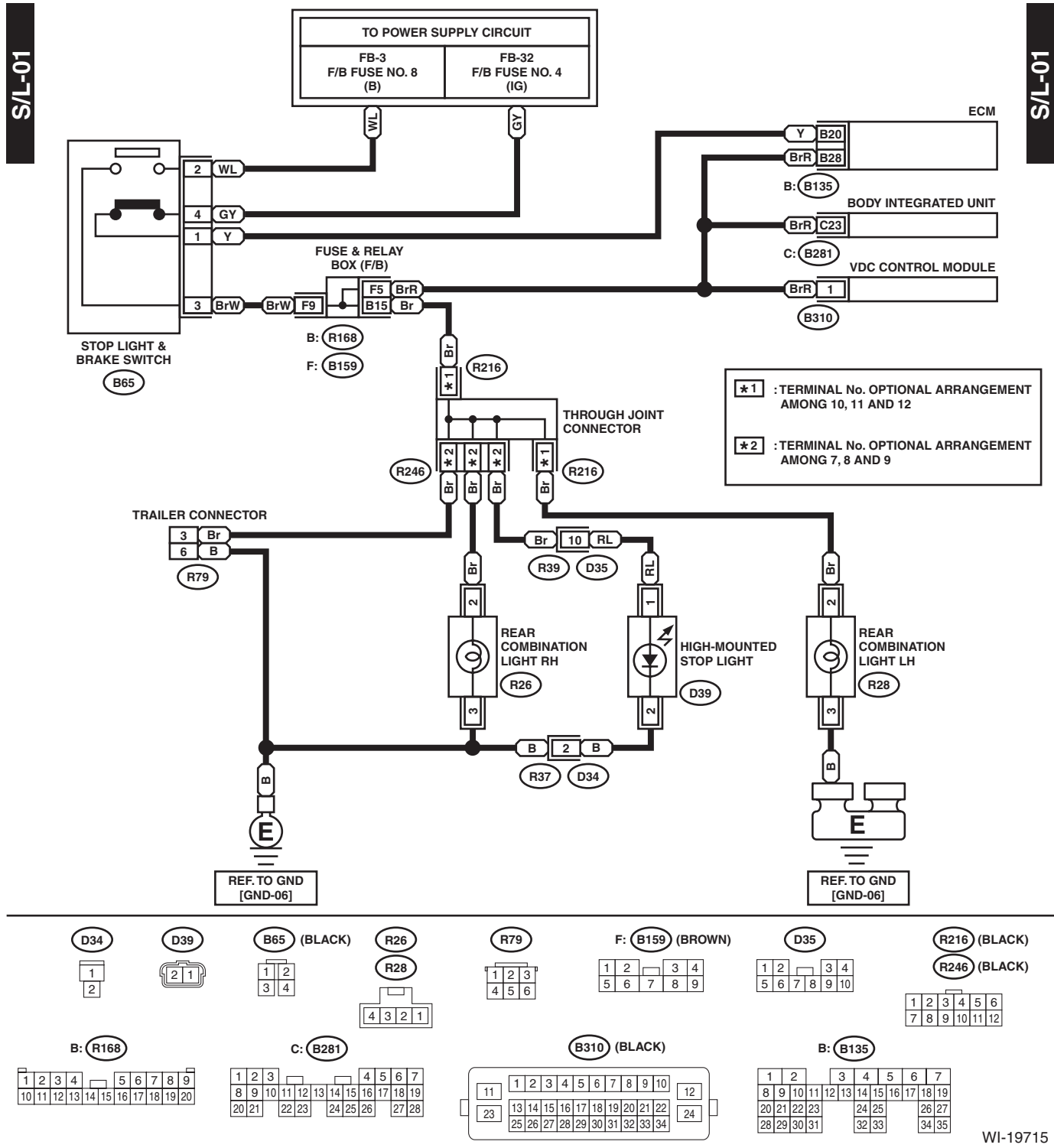


# Stop Light System

WIRING SYSTEM

## 28. Stop Light System

### A: WIRING DIAGRAM



WI-19715