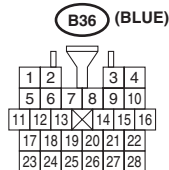
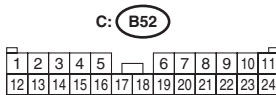
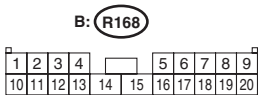
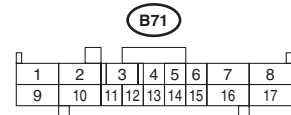
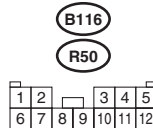
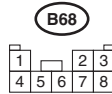
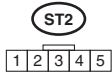
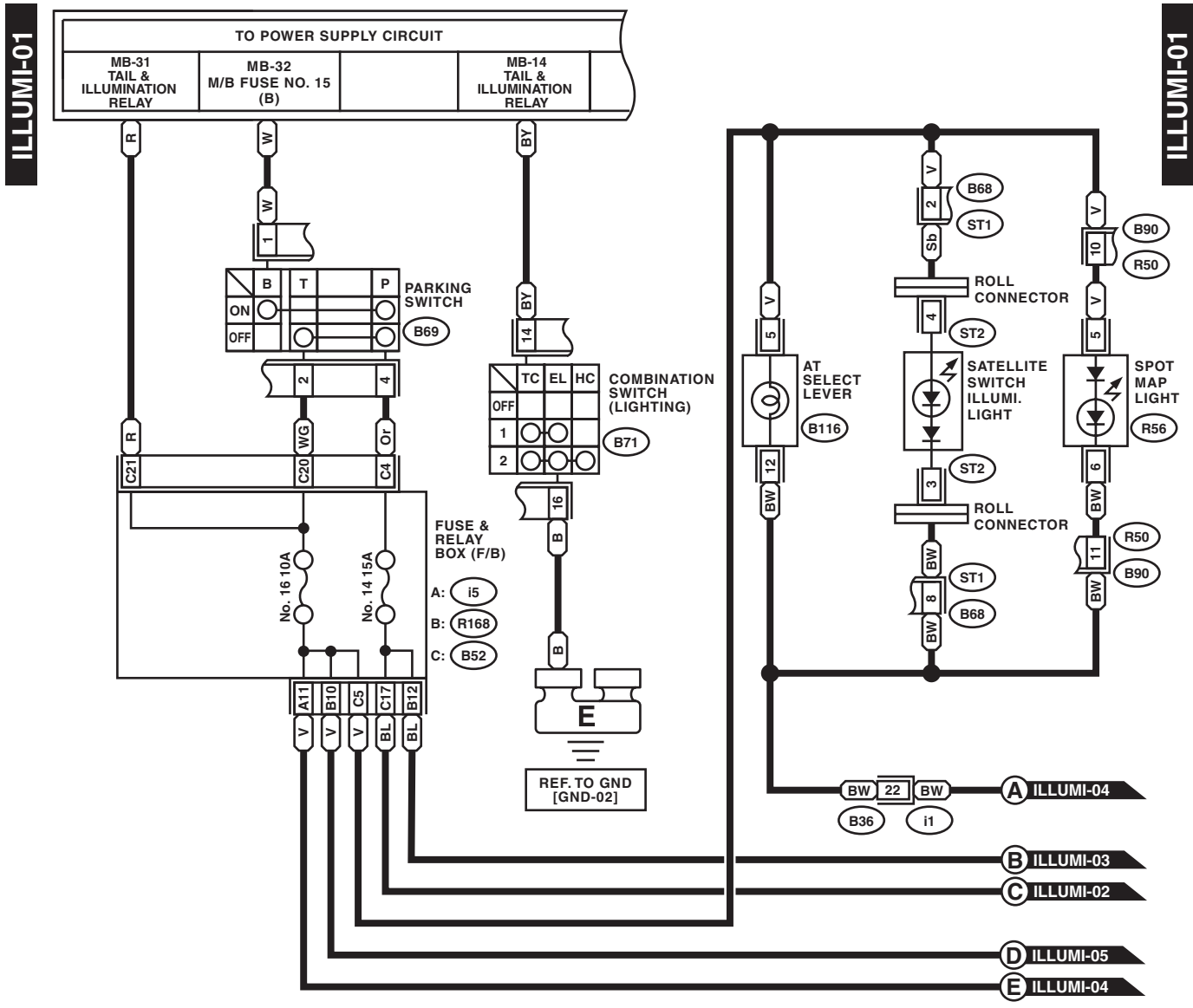


Clearance Light and Illumination Light System

WIRING SYSTEM

29. Clearance Light and Illumination Light System

A: WIRING DIAGRAM



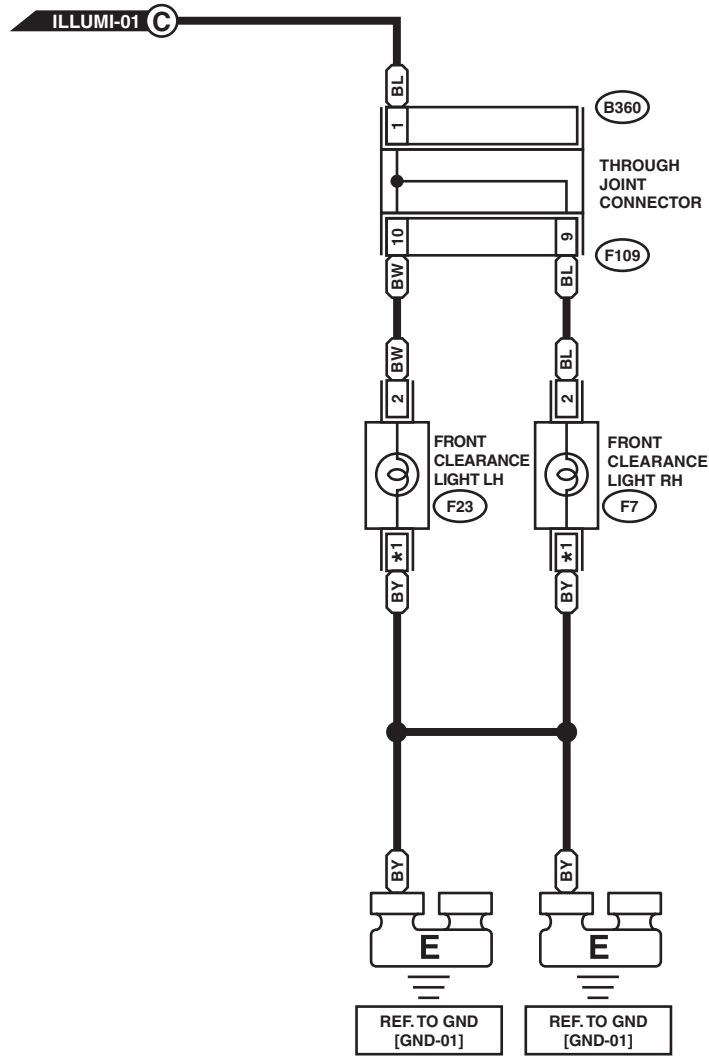
WI-16052

Clearance Light and Illumination Light System

WIRING SYSTEM

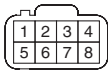
ILLUMI-02

ILLUMI-02

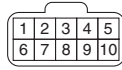


WH : HID MODEL
OH : EXCEPT FOR HID MODEL
***1** : HID MODEL : 7
 EXCEPT FOR HID MODEL : 6

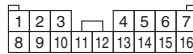
OH : F7 (GRAY)
OH : F23 (GRAY)



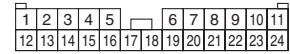
WH : F7 (GRAY)
WH : F23 (GRAY)



B360 (GRAY)



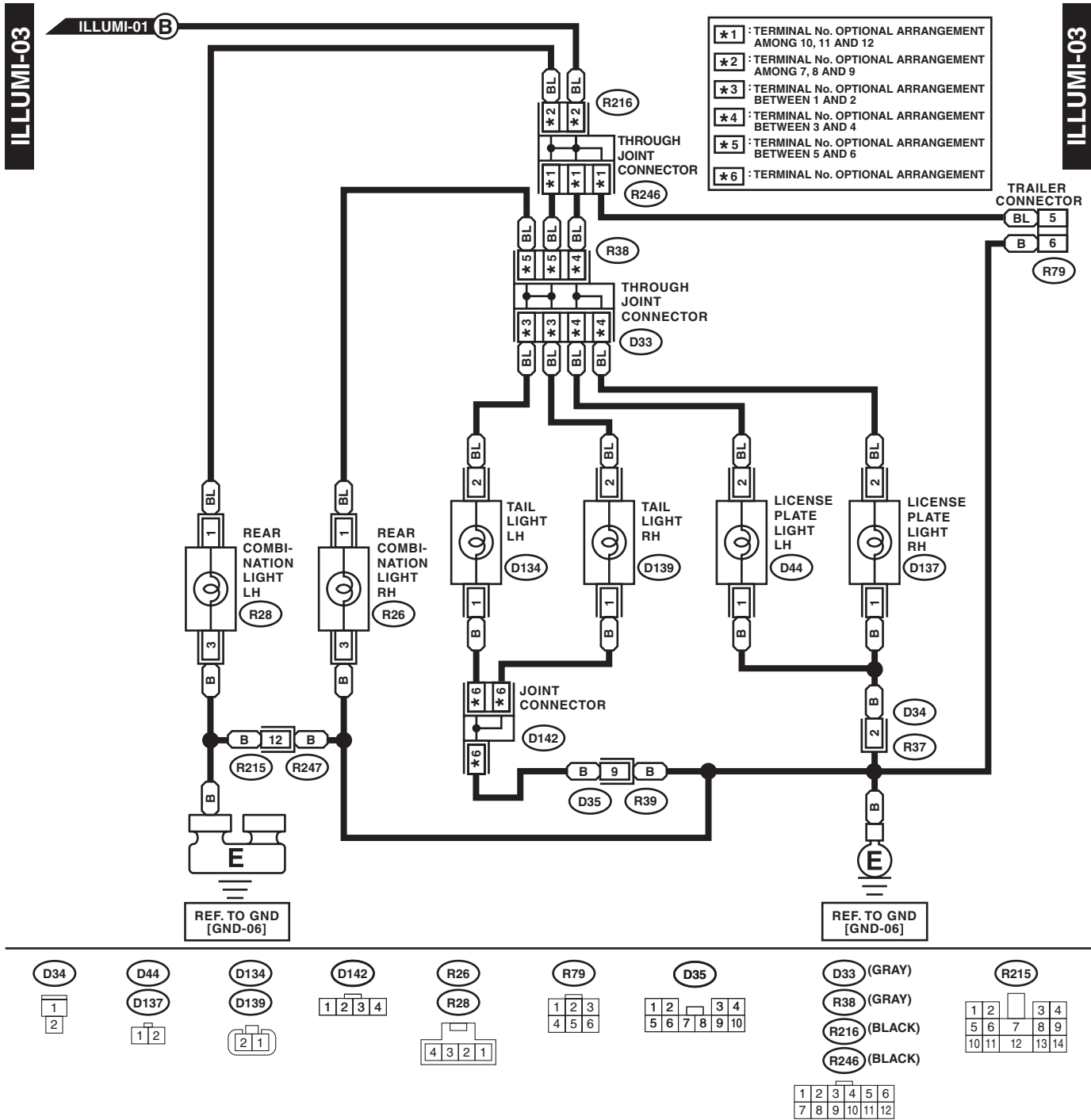
F109



WI-21031

Clearance Light and Illumination Light System

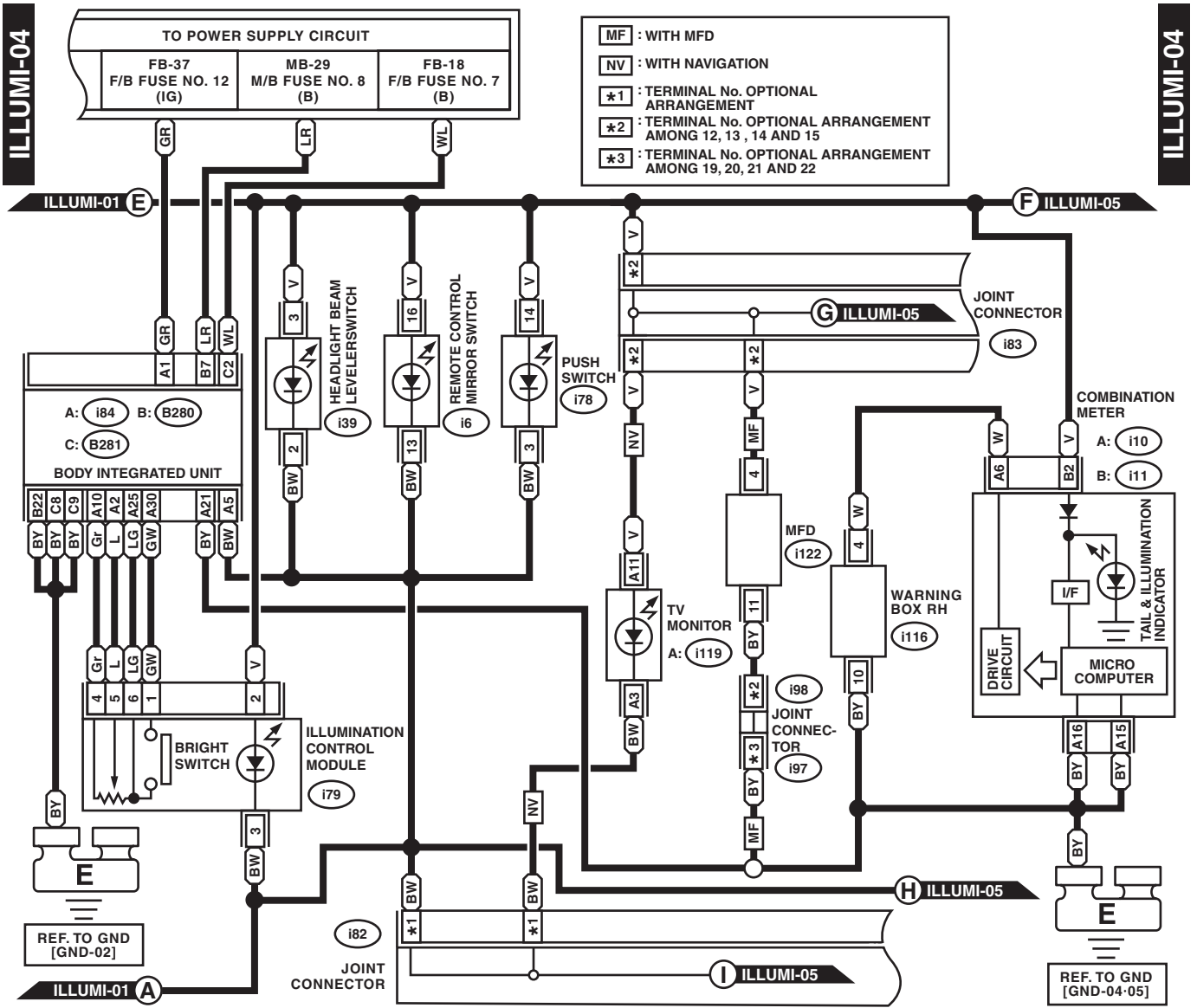
WIRING SYSTEM



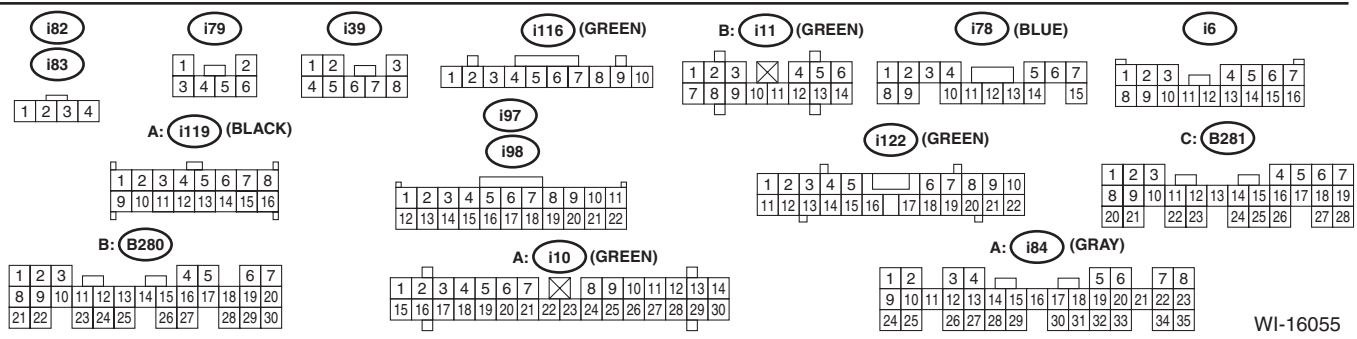
WI-16054

Clearance Light and Illumination Light System

WIRING SYSTEM



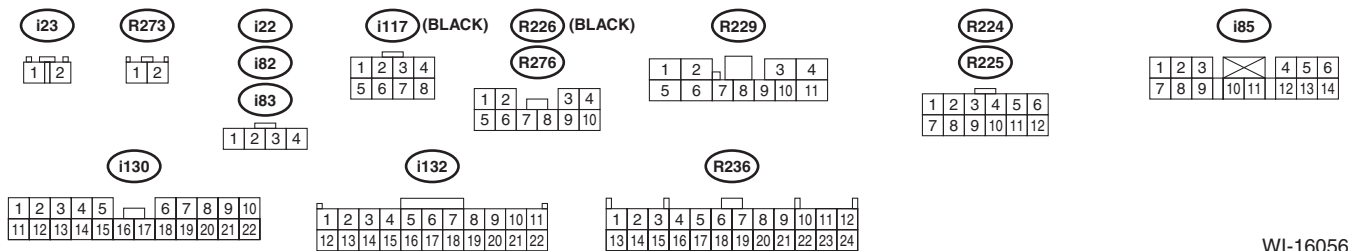
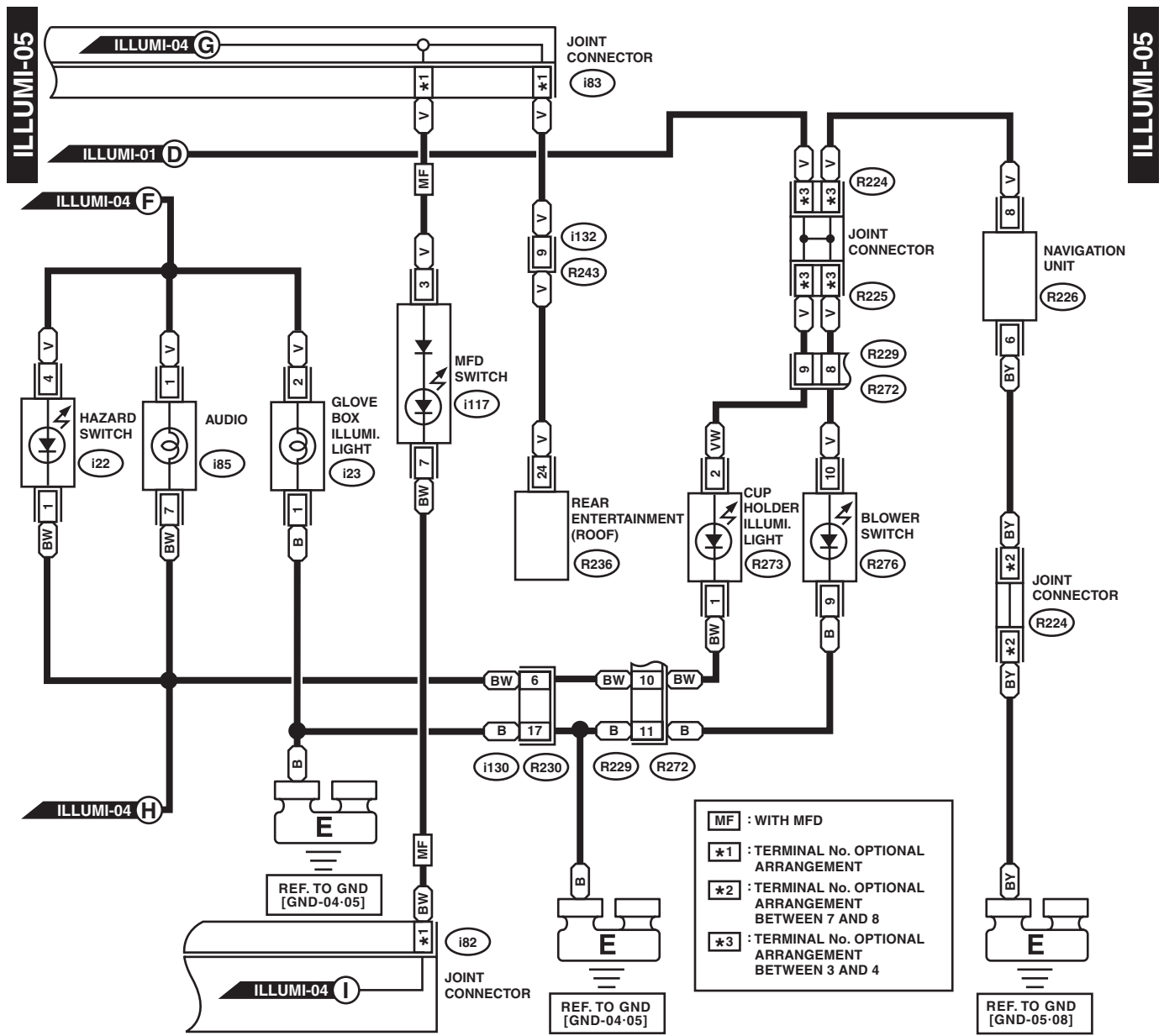
- MF : WITH MFD
- NV : WITH NAVIGATION
- *1 : TERMINAL No. OPTIONAL ARRANGEMENT AMONG 12, 13, 14 AND 15
- *2 : TERMINAL No. OPTIONAL ARRANGEMENT AMONG 19, 20, 21 AND 22
- *3 : TERMINAL No. OPTIONAL ARRANGEMENT AMONG 19, 20, 21 AND 22



WI-16055

Clearance Light and Illumination Light System

WIRING SYSTEM



WI-16056