

Washer Level Warning Light System

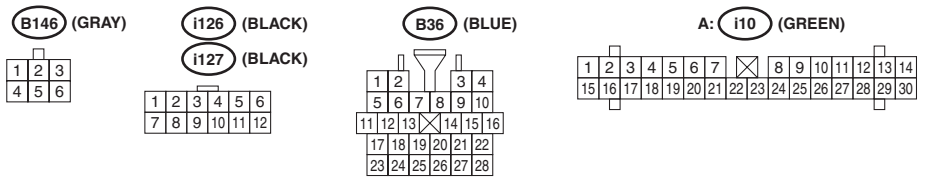
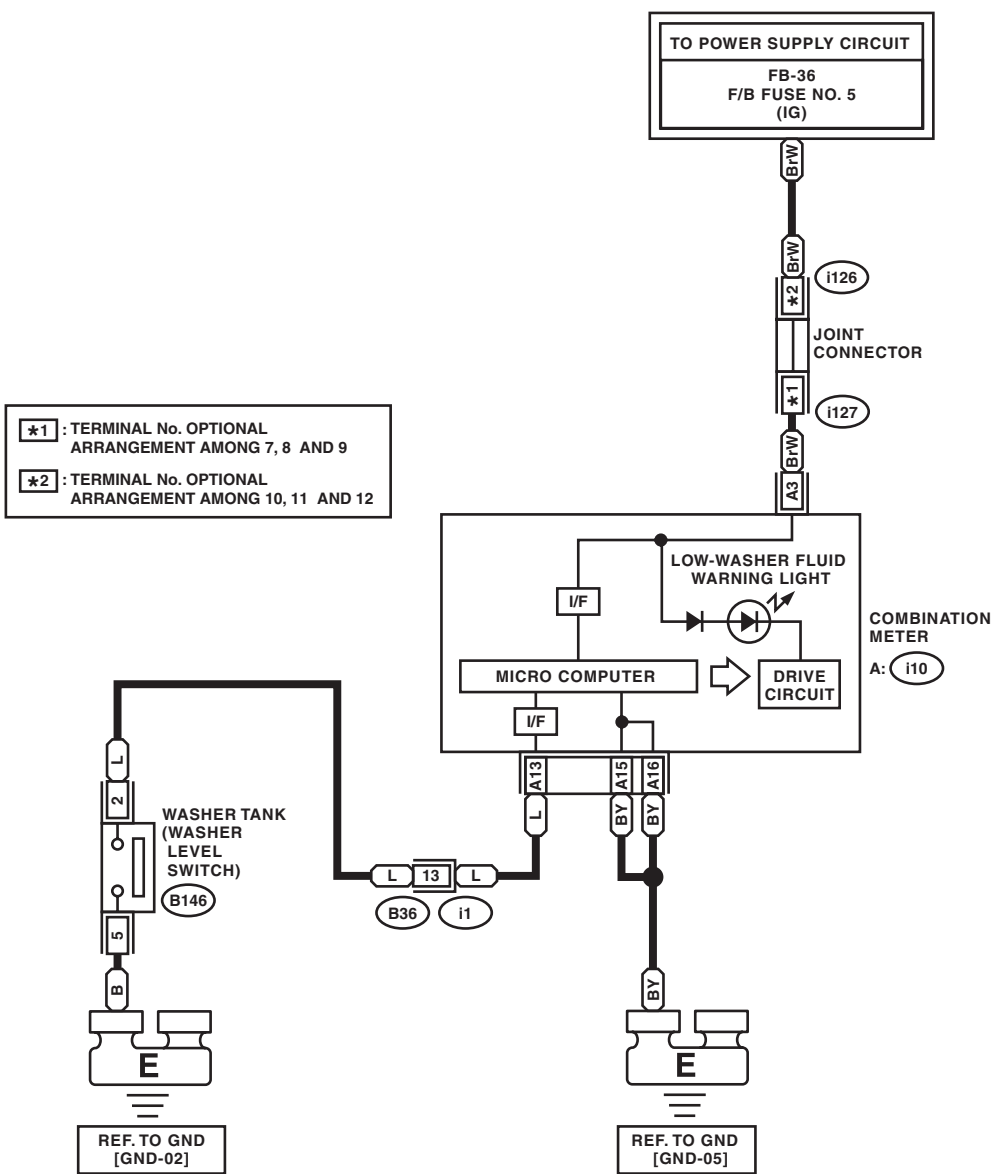
WIRING SYSTEM

35. Washer Level Warning Light System

A: WIRING DIAGRAM

W/L-01

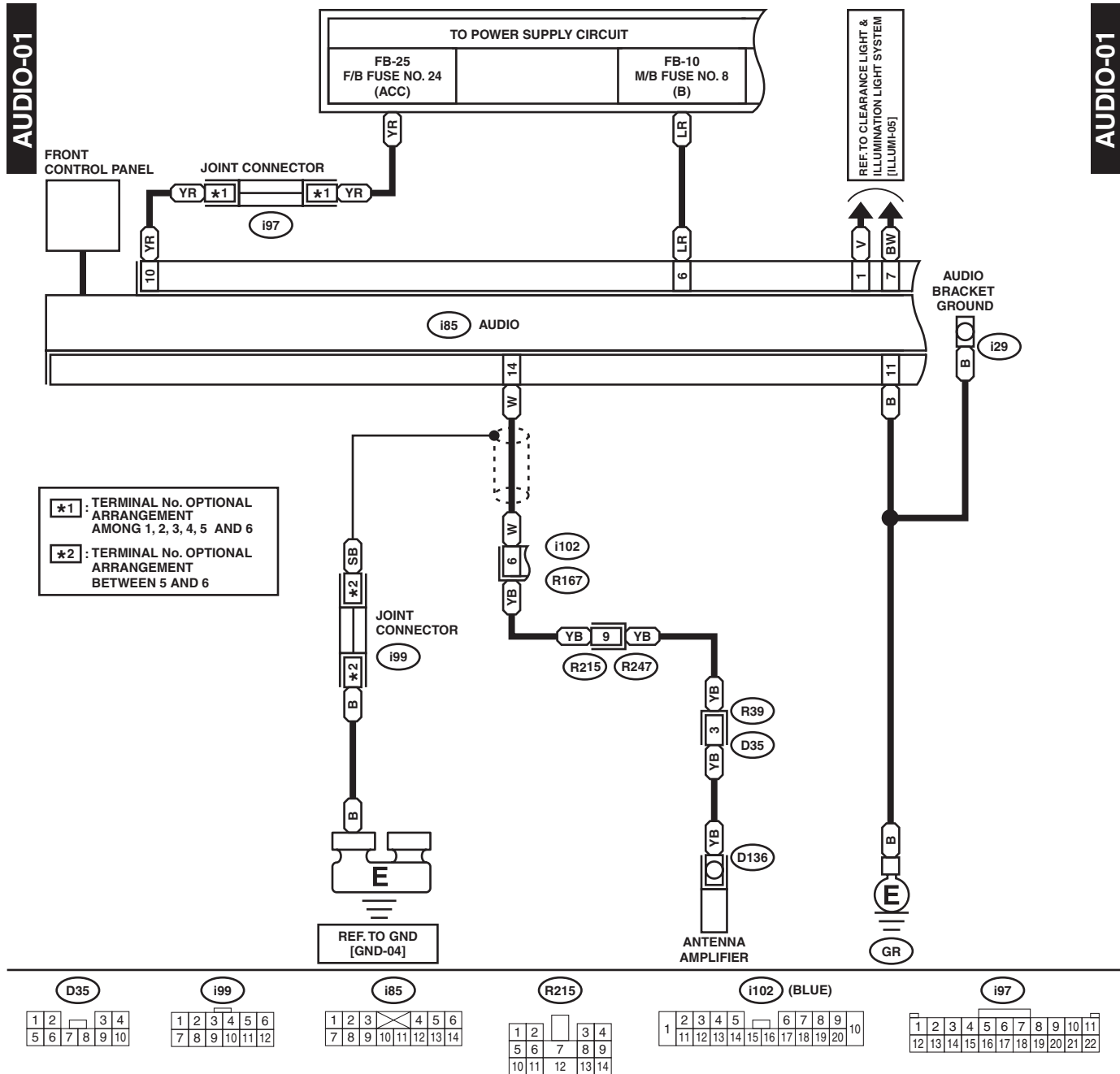
W/L-01



WI-16068

36.Audio System

A: WIRING DIAGRAM



WI-16069

