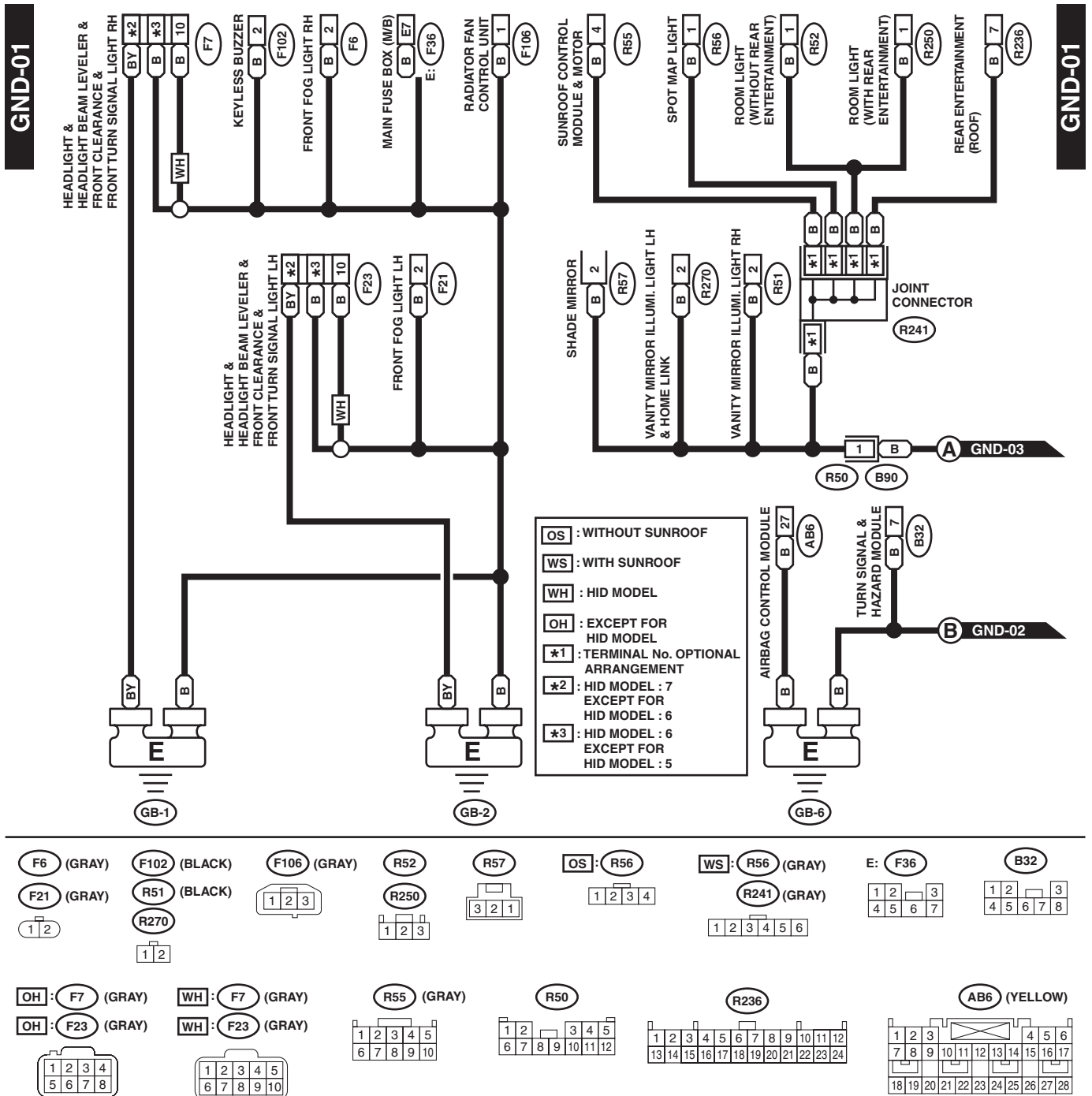


Ground Circuit

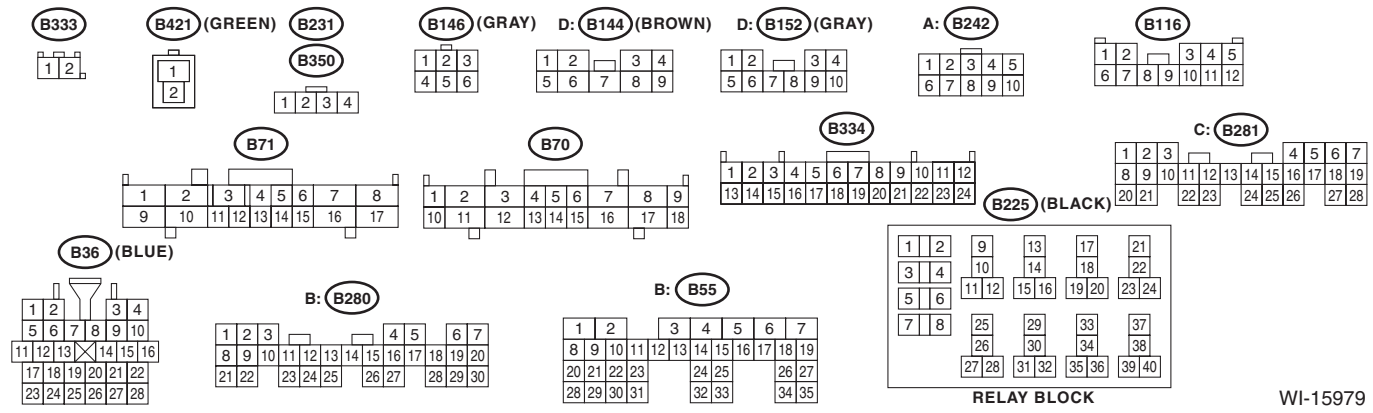
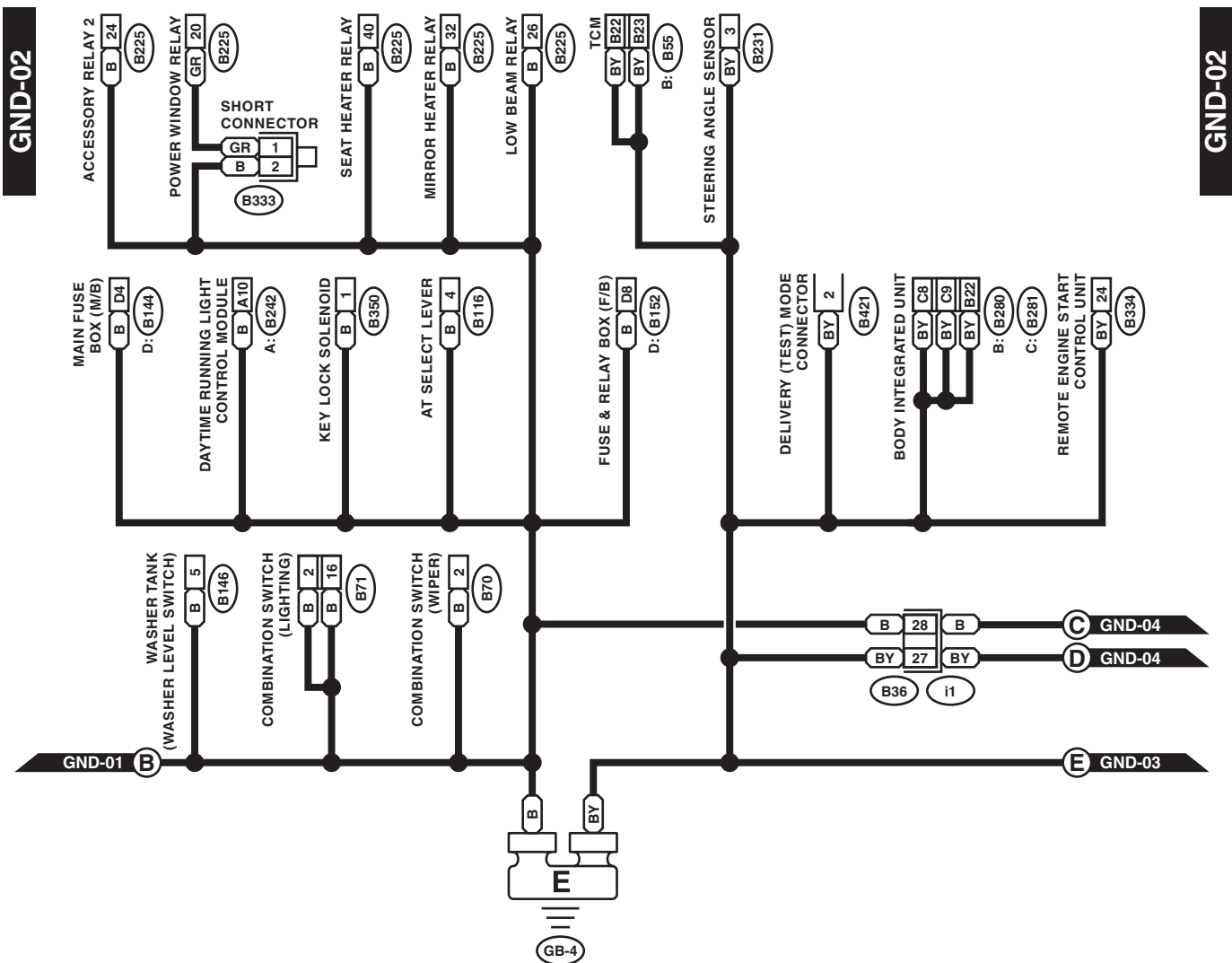
WIRING SYSTEM

4. Ground Circuit A: WIRING DIAGRAM



WI-21029

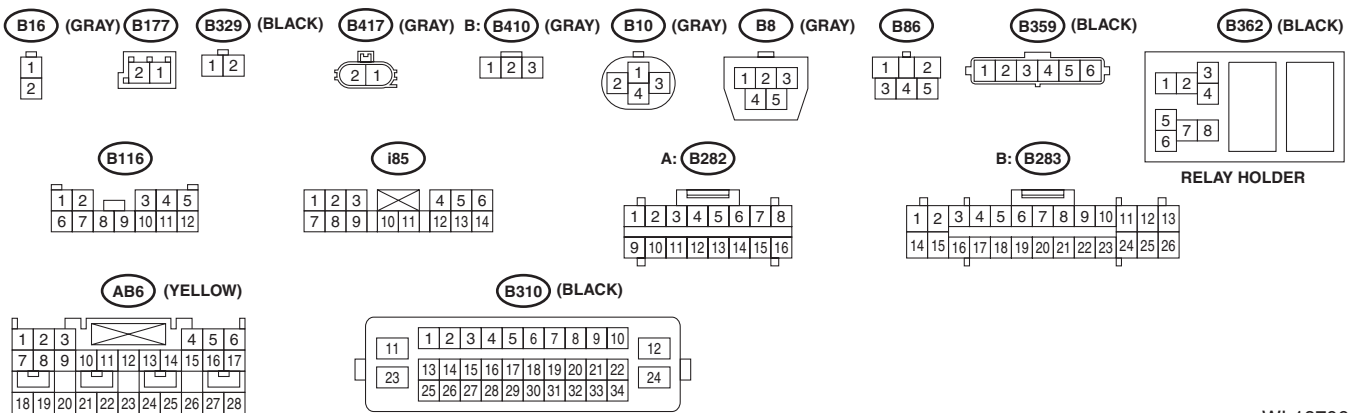
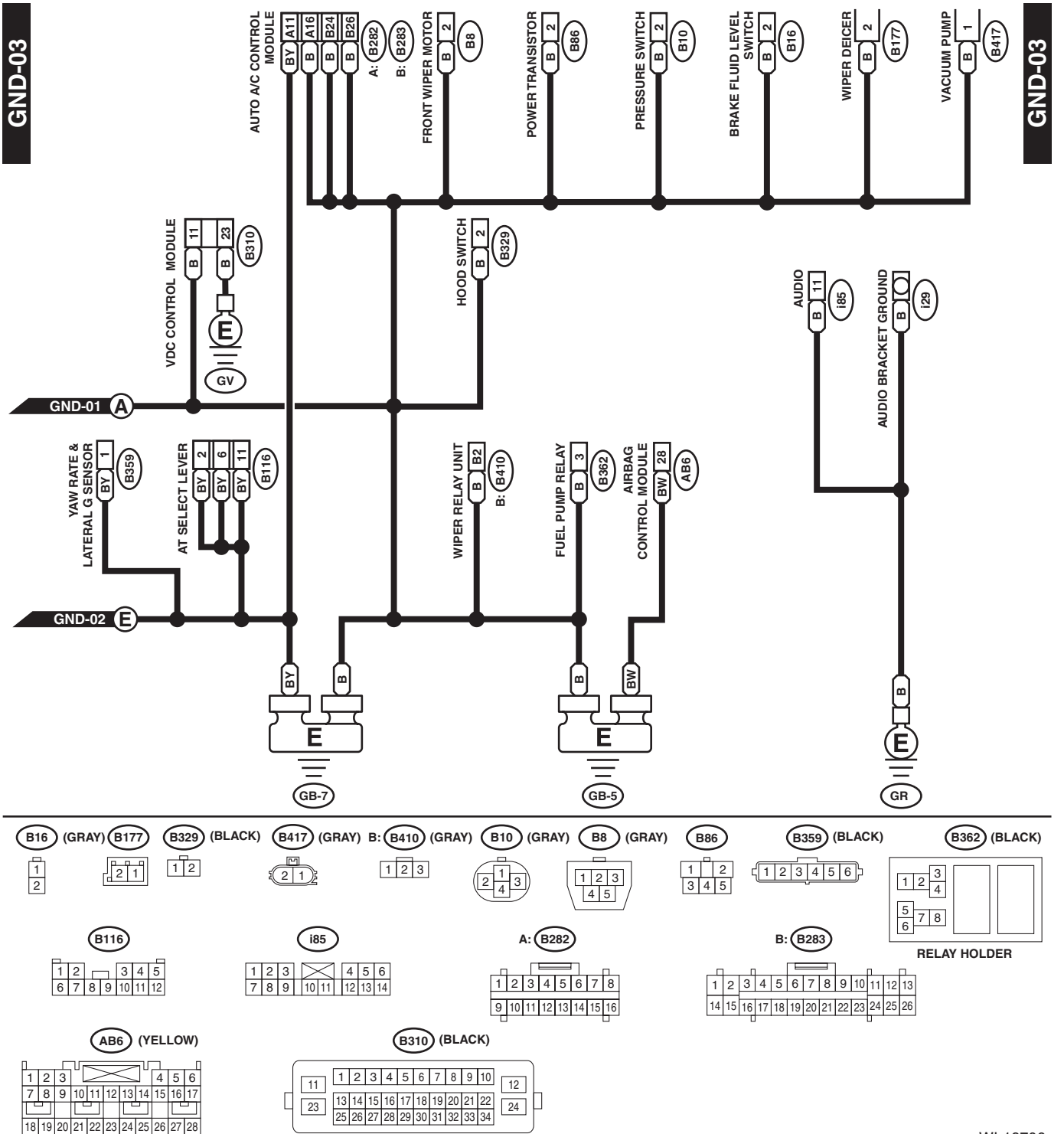
Ground Circuit



WI-15979

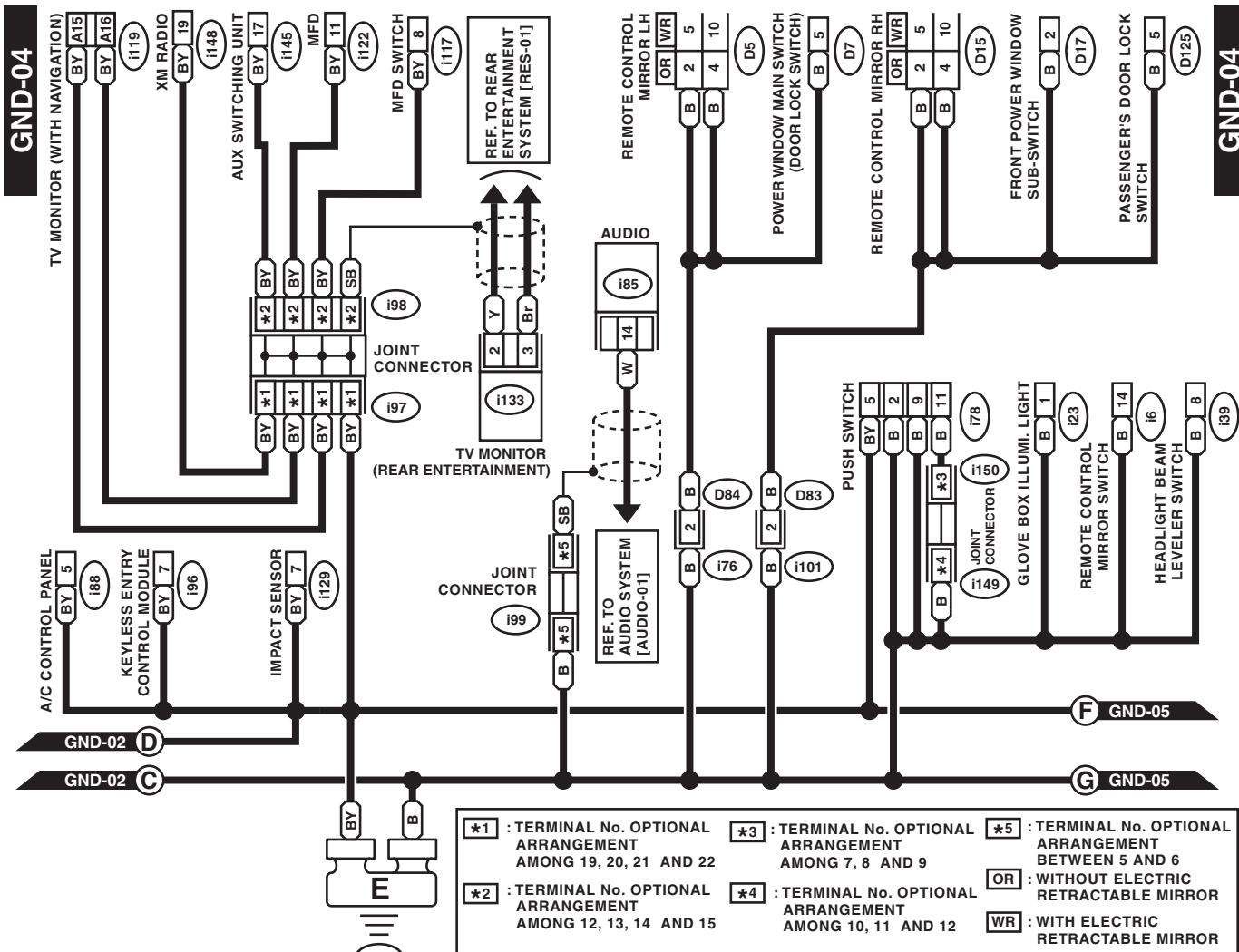
Ground Circuit

WIRING SYSTEM

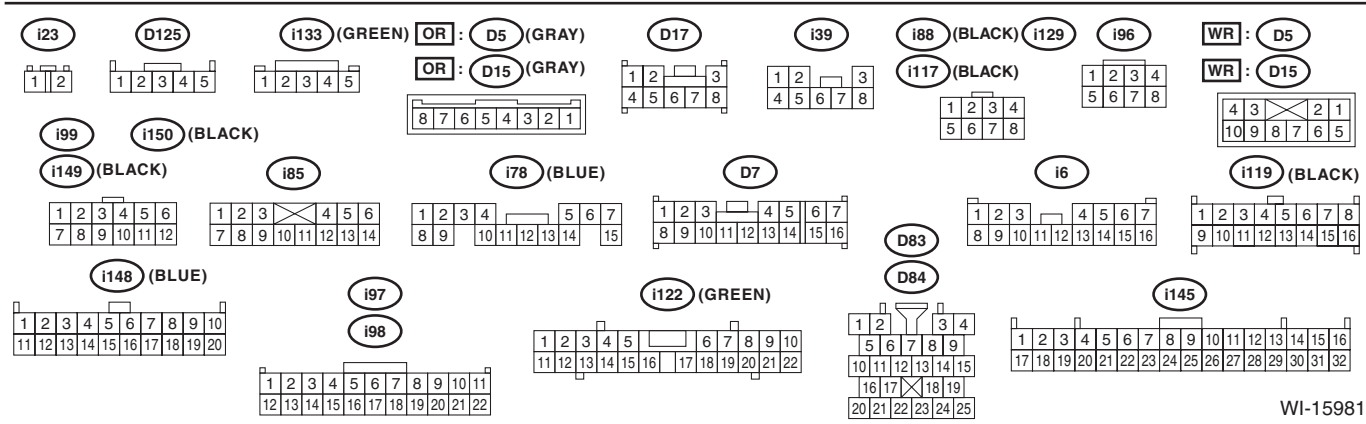


WI-19706

Ground Circuit



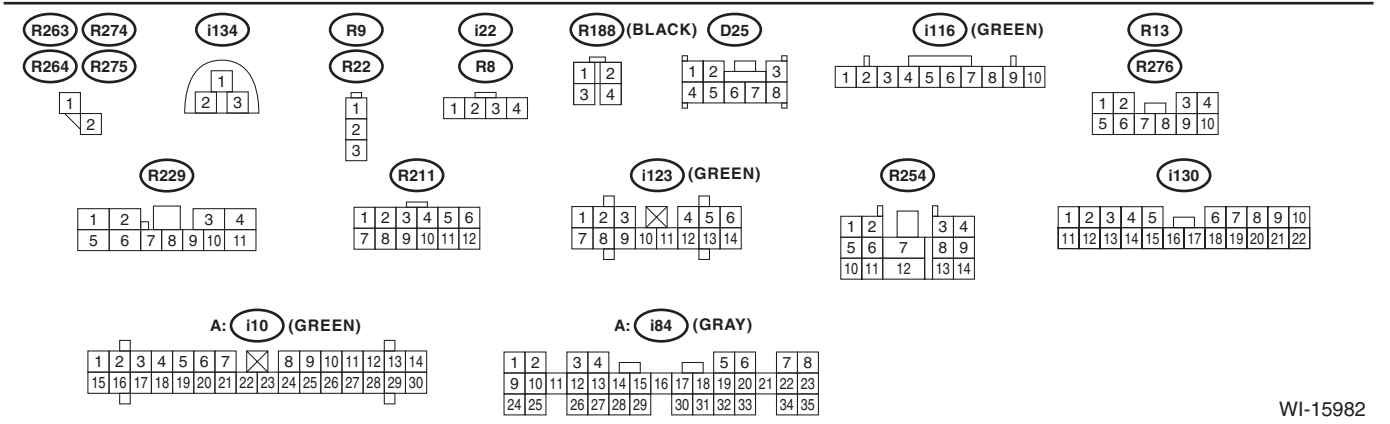
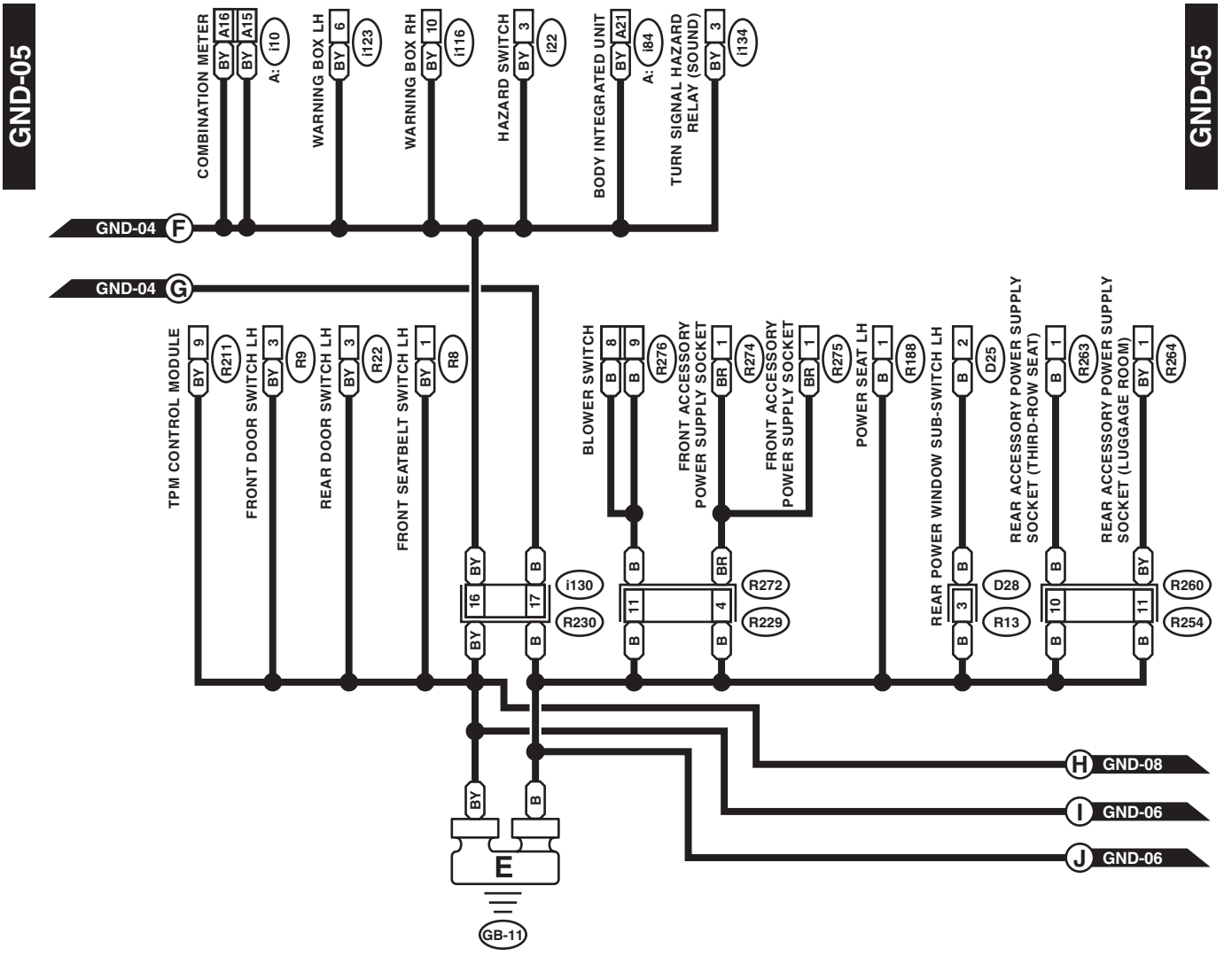
- *1 : TERMINAL No. OPTIONAL ARRANGEMENT AMONG 19, 20, 21 AND 22
- *2 : TERMINAL No. OPTIONAL ARRANGEMENT AMONG 12, 13, 14 AND 15
- *3 : TERMINAL No. OPTIONAL ARRANGEMENT AMONG 7, 8 AND 9
- *4 : TERMINAL No. OPTIONAL ARRANGEMENT AMONG 10, 11 AND 12
- *5 : TERMINAL No. OPTIONAL ARRANGEMENT BETWEEN 5 AND 6
- OR : WITHOUT ELECTRIC RETRACTABLE MIRROR
- WR : WITH ELECTRIC RETRACTABLE MIRROR



WI-15981

Ground Circuit

WIRING SYSTEM



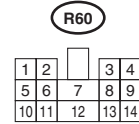
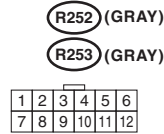
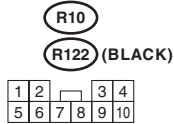
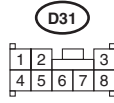
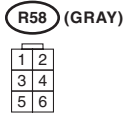
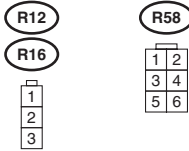
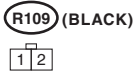
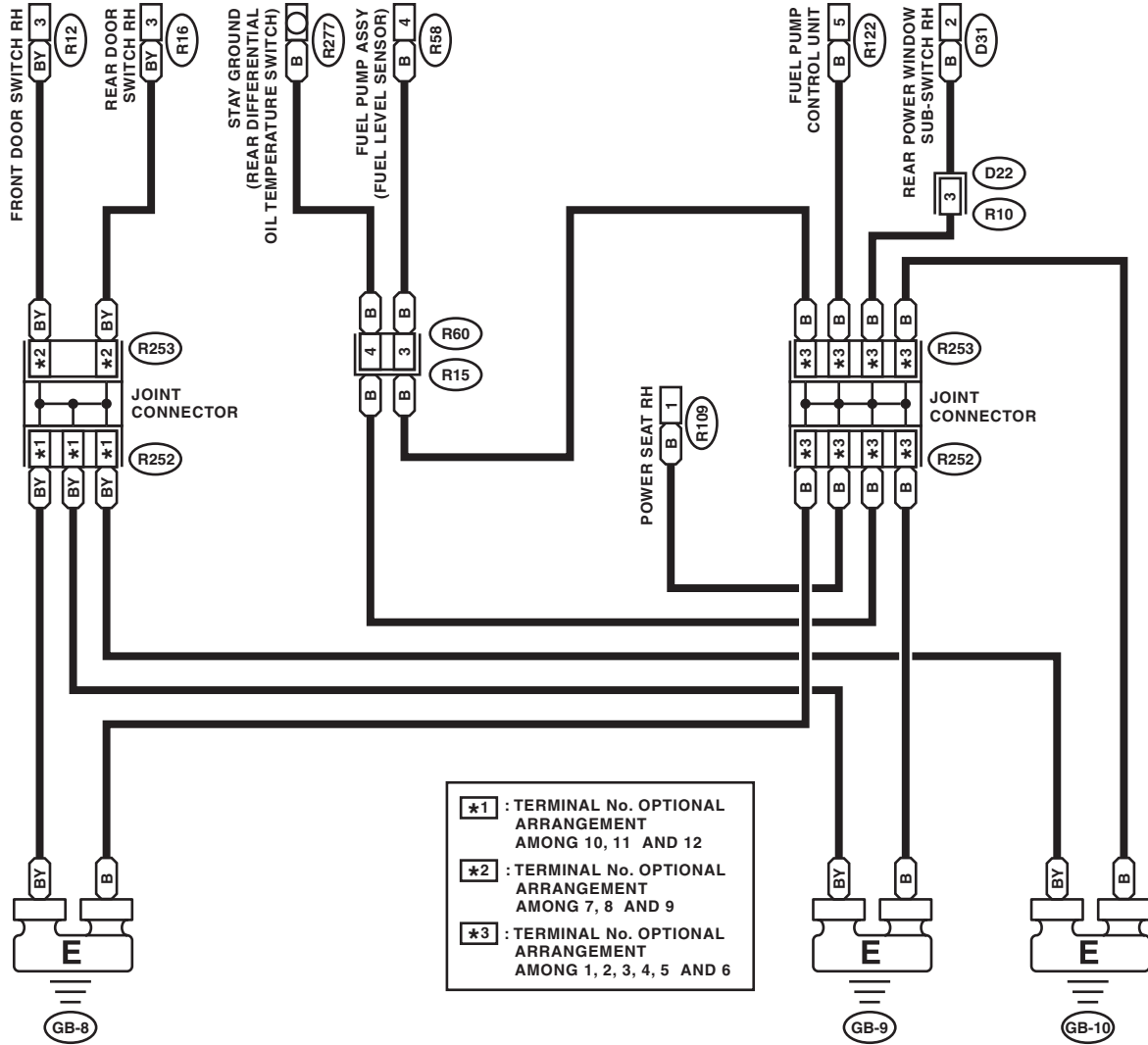
WI-15982

Ground Circuit

WIRING SYSTEM

GND-07

GND-07

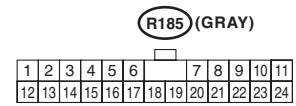
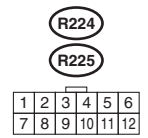
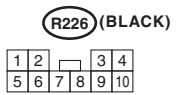
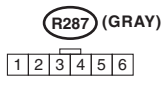
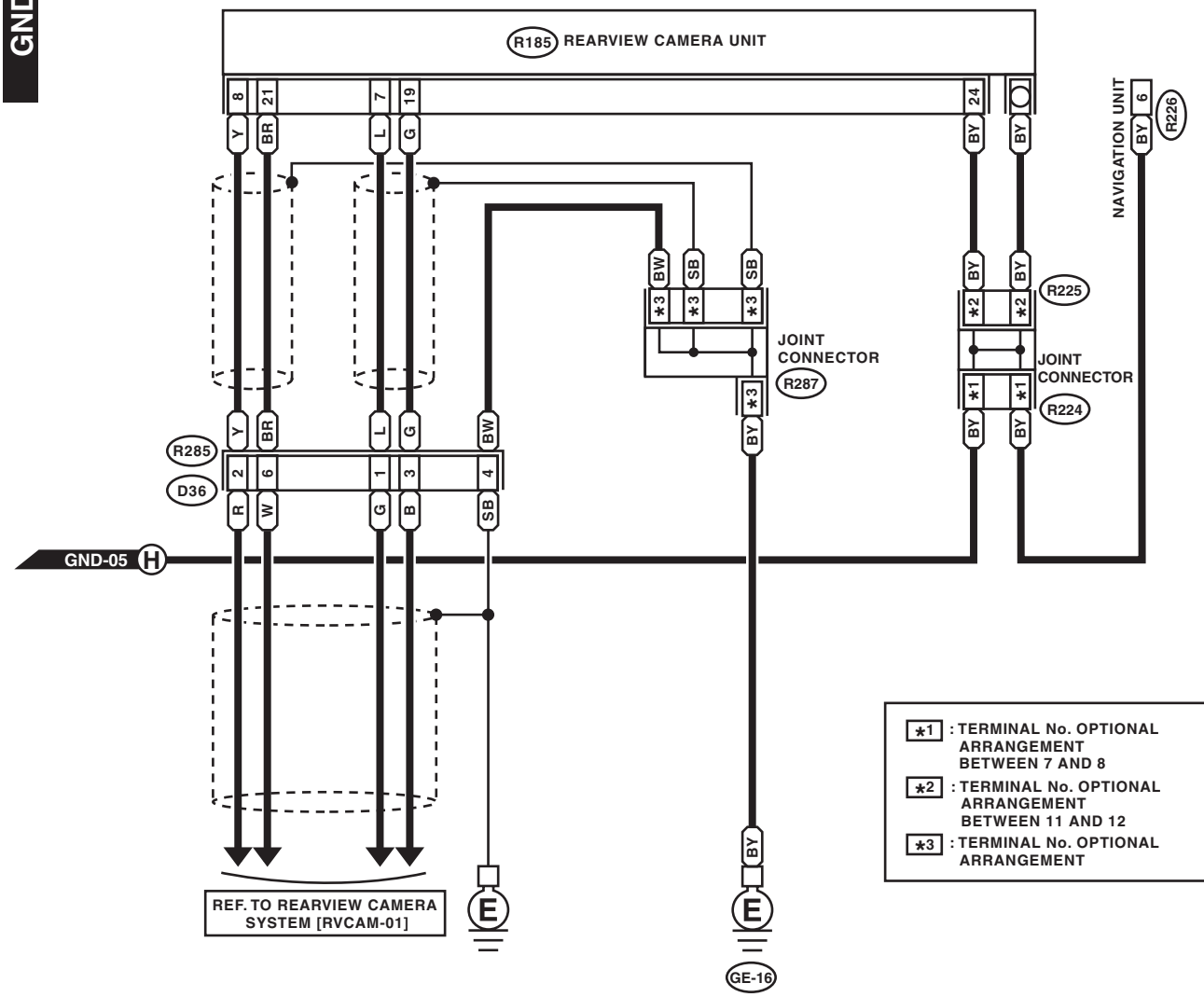


WI-15984

Ground Circuit

GND-08

GND-08

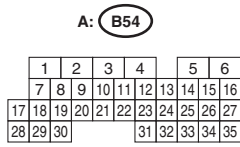
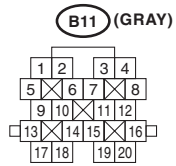
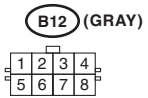
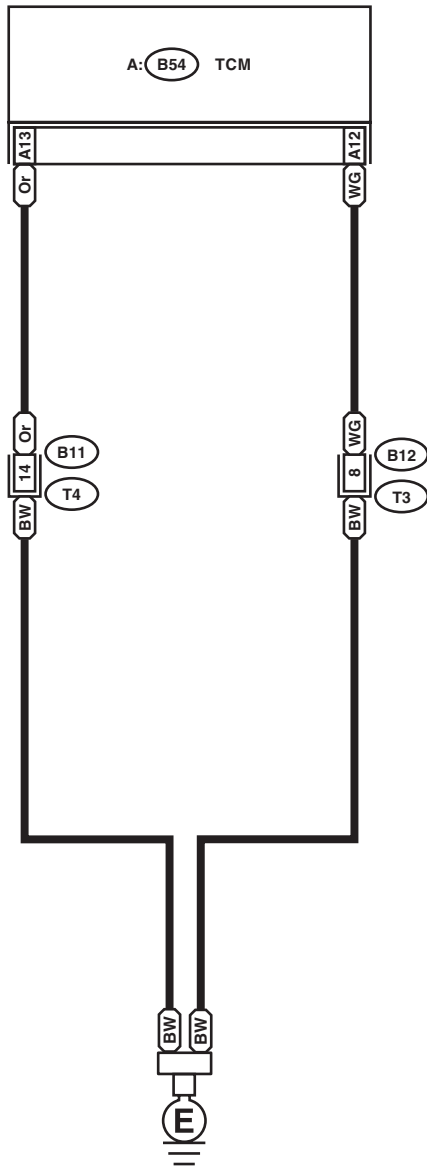


Ground Circuit

WIRING SYSTEM

GND-09

GND-09



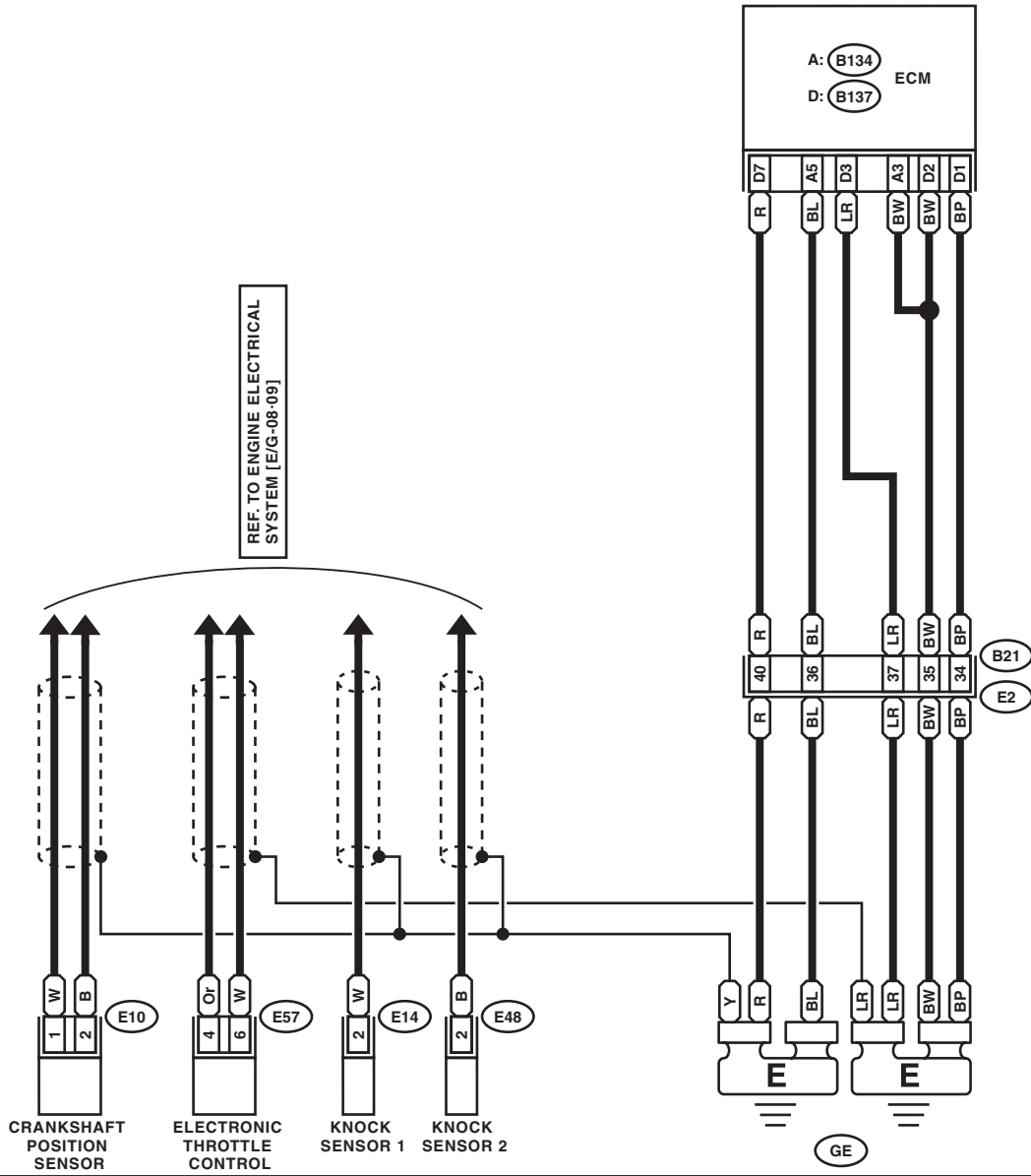
WI-15986

Ground Circuit

WIRING SYSTEM

GND-10

GND-10



E10 (LIGHT GRAY) E57 (BLACK)

E14 (BLUE) 1 2 3 4 5 6

E48 (BLUE) 1 2

1 2

D: B137

1	2	3	4	5	6	7
8	9	10	11	12	13	14
15	16	17	18	19	20	21
22	23	24	25	26	27	28
29	30	31	32	33	34	35

A: B134

1	2	3	4	5	6	7
8	9	10	11	12	13	14
15	16	17	18	19	20	21
22	23	24	25	26	27	28
29	30	31	32	33	34	35

B21 (BLACK)

1	2	3	4	5	6	7	8	9	10	11
12	13	14	15	16	17	18	19	20	21	22
23	24	25	26	27	28	29	30	31	32	33
34	35	36	37	38	39	40	41	42	43	44
45	46	47	48	49	50	51	52	53	54	55

WI-15987