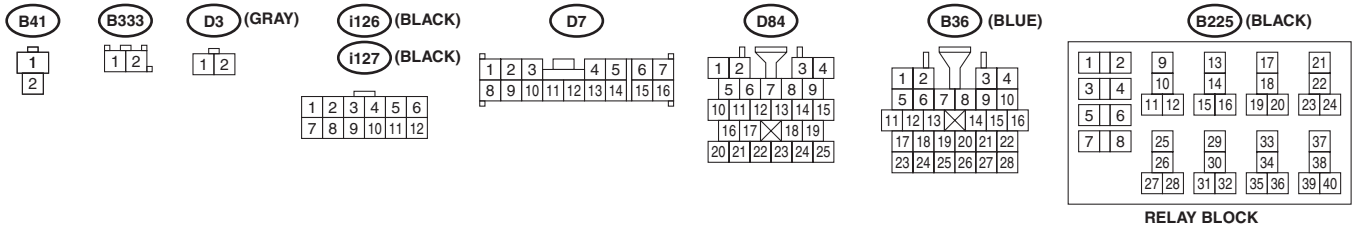
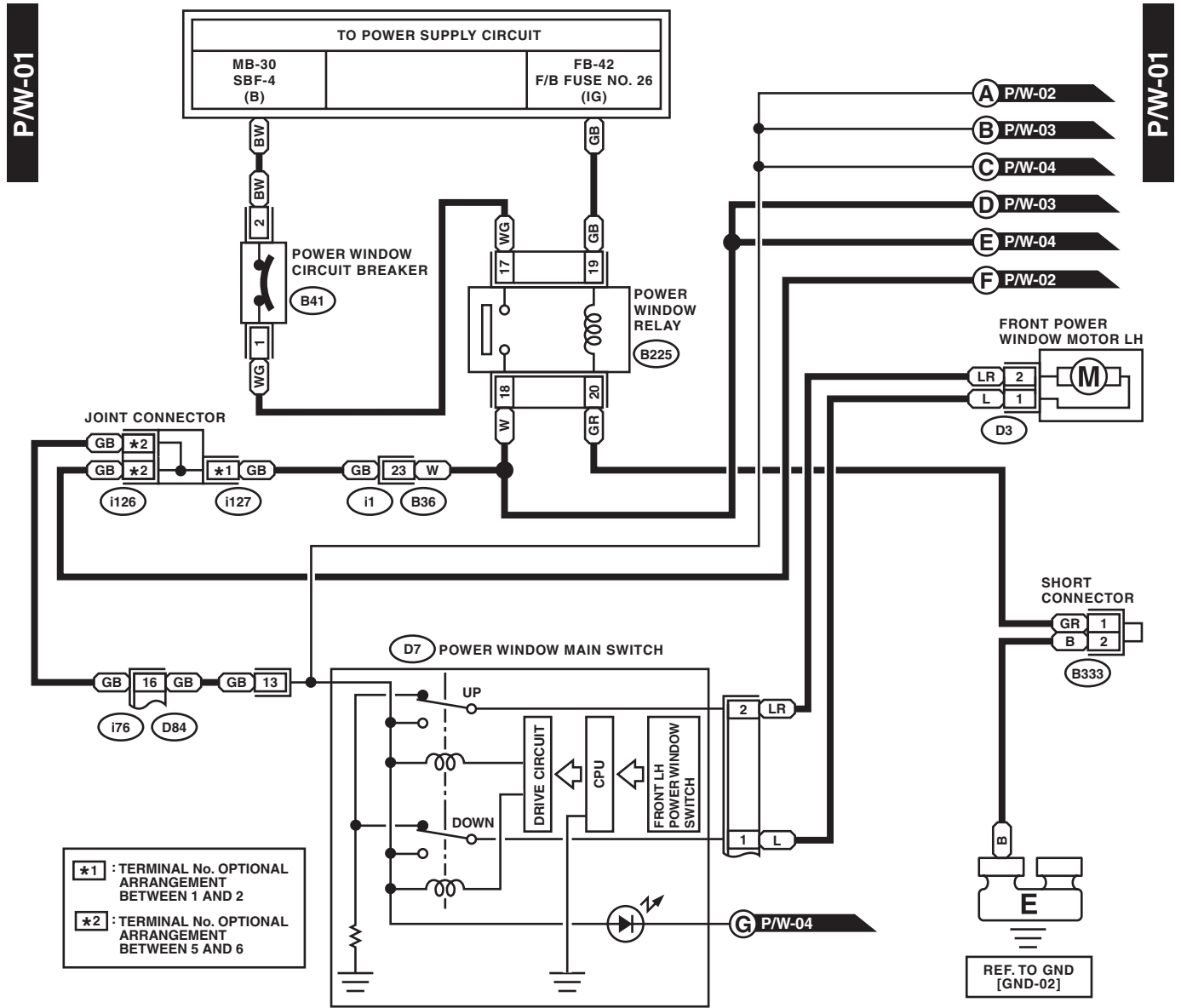


44. Power Window System

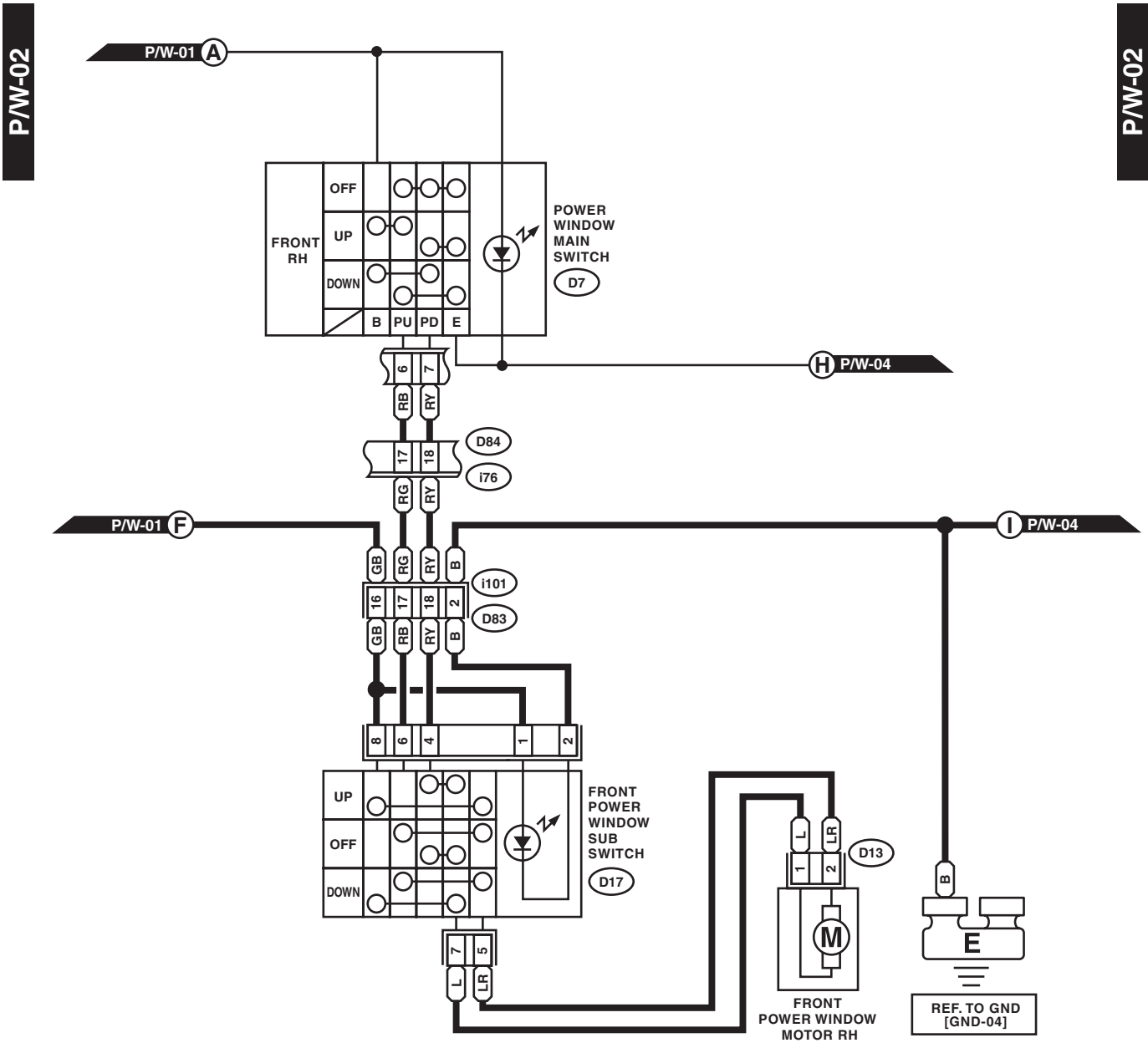
A: WIRING DIAGRAM



WI-16086

Power Window System

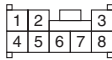
WIRING SYSTEM



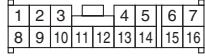
D13 (GRAY)



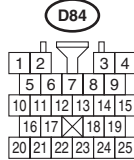
D17



D7



D83

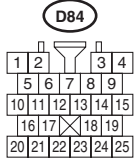
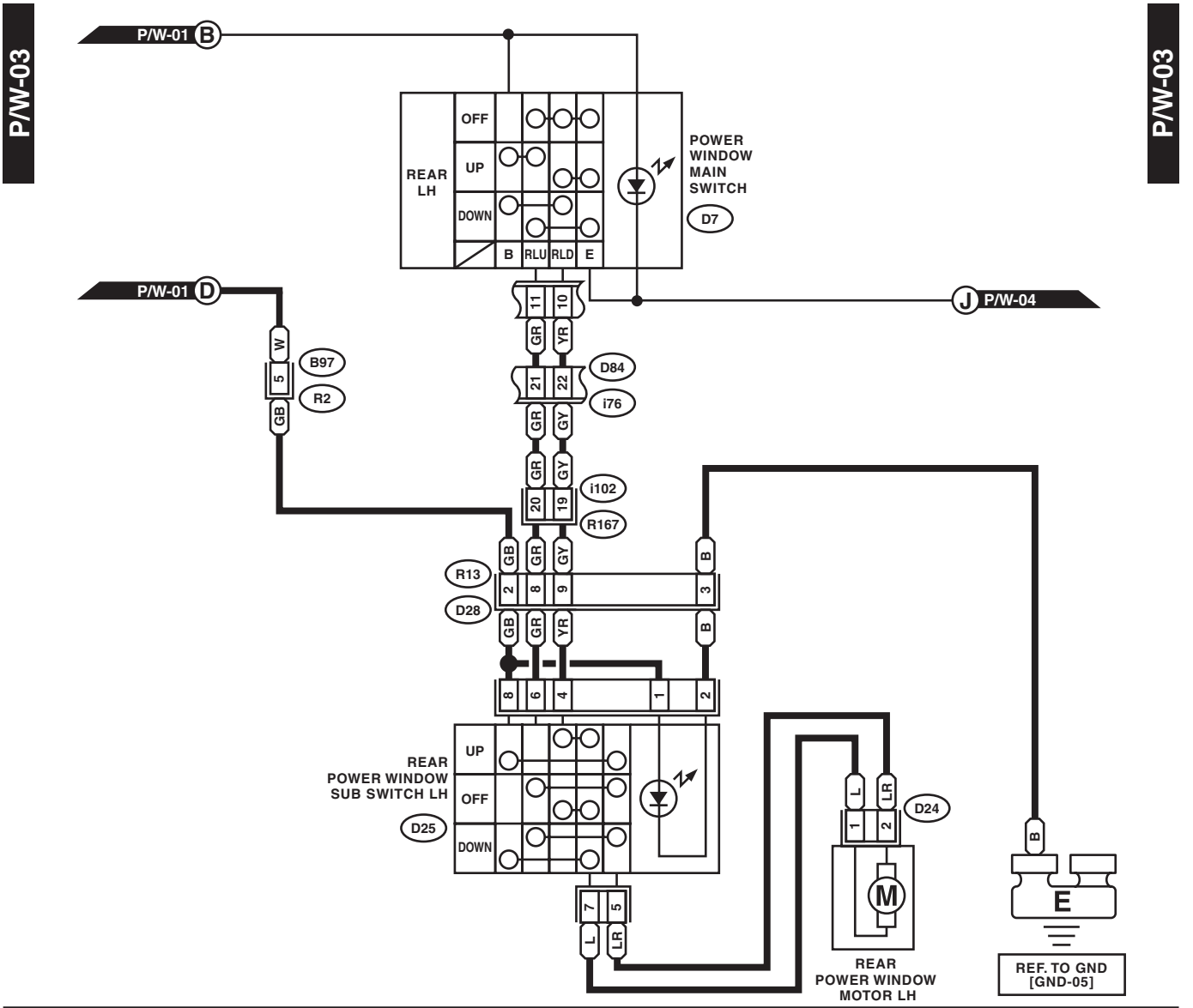


D84

WI-16087

Power Window System

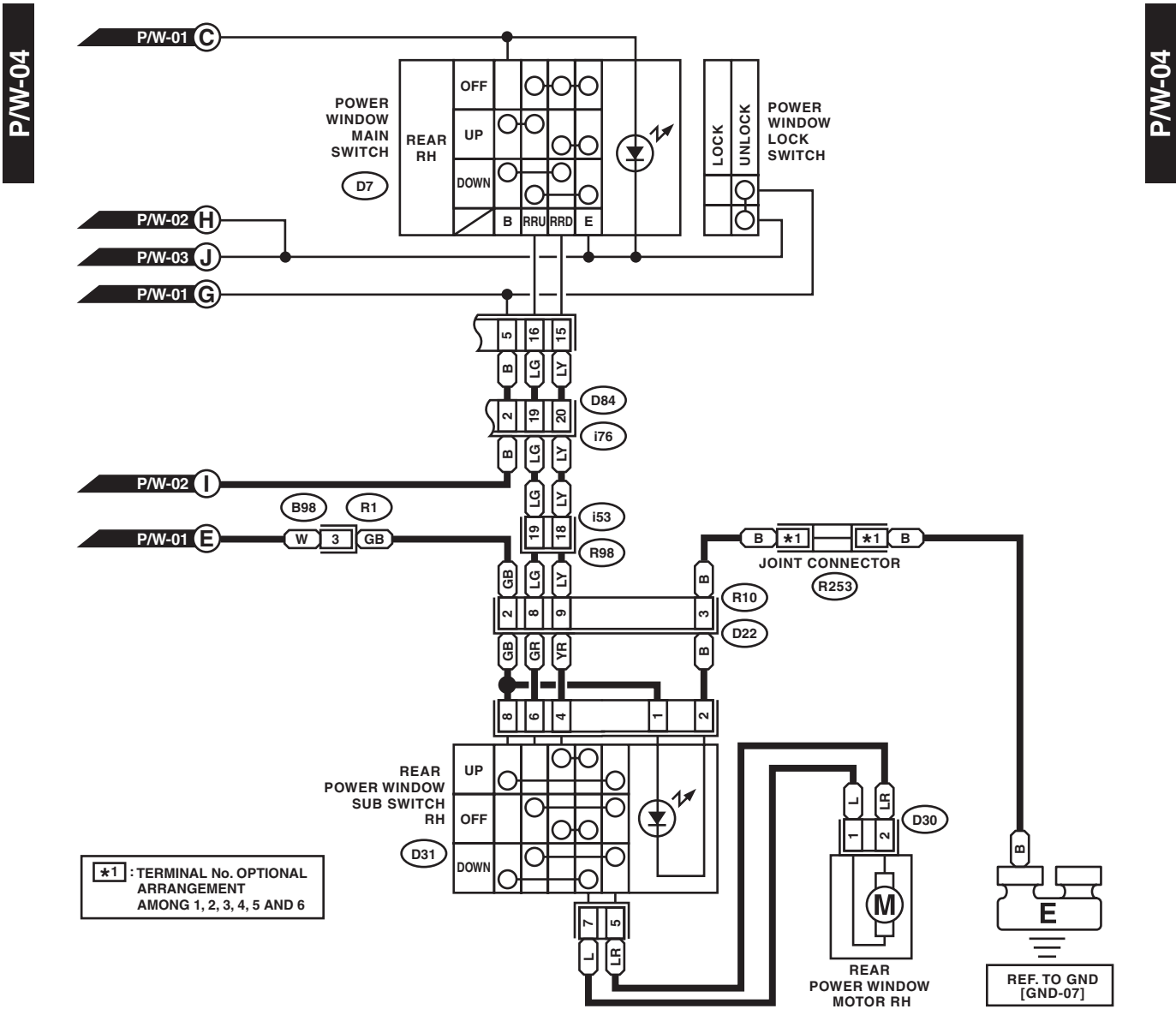
WIRING SYSTEM



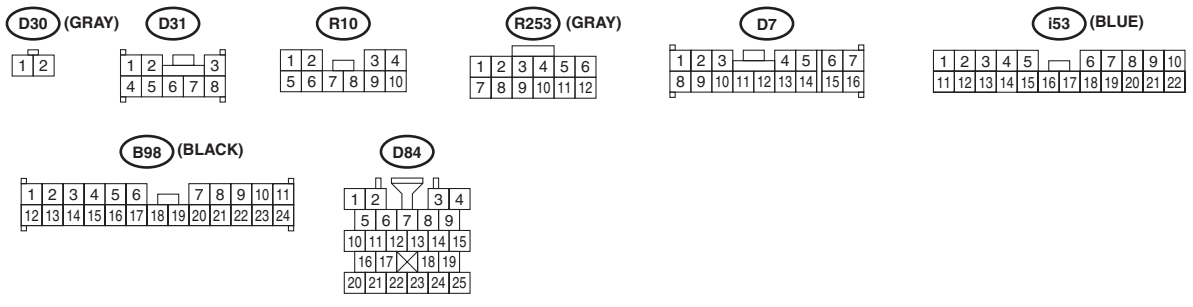
WI-16088

Power Window System

WIRING SYSTEM



*1 : TERMINAL No. OPTIONAL ARRANGEMENT AMONG 1, 2, 3, 4, 5 AND 6



WI-16089