



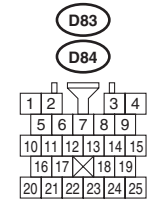
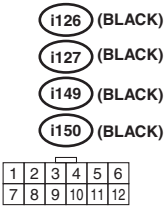
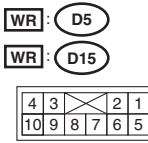
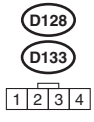
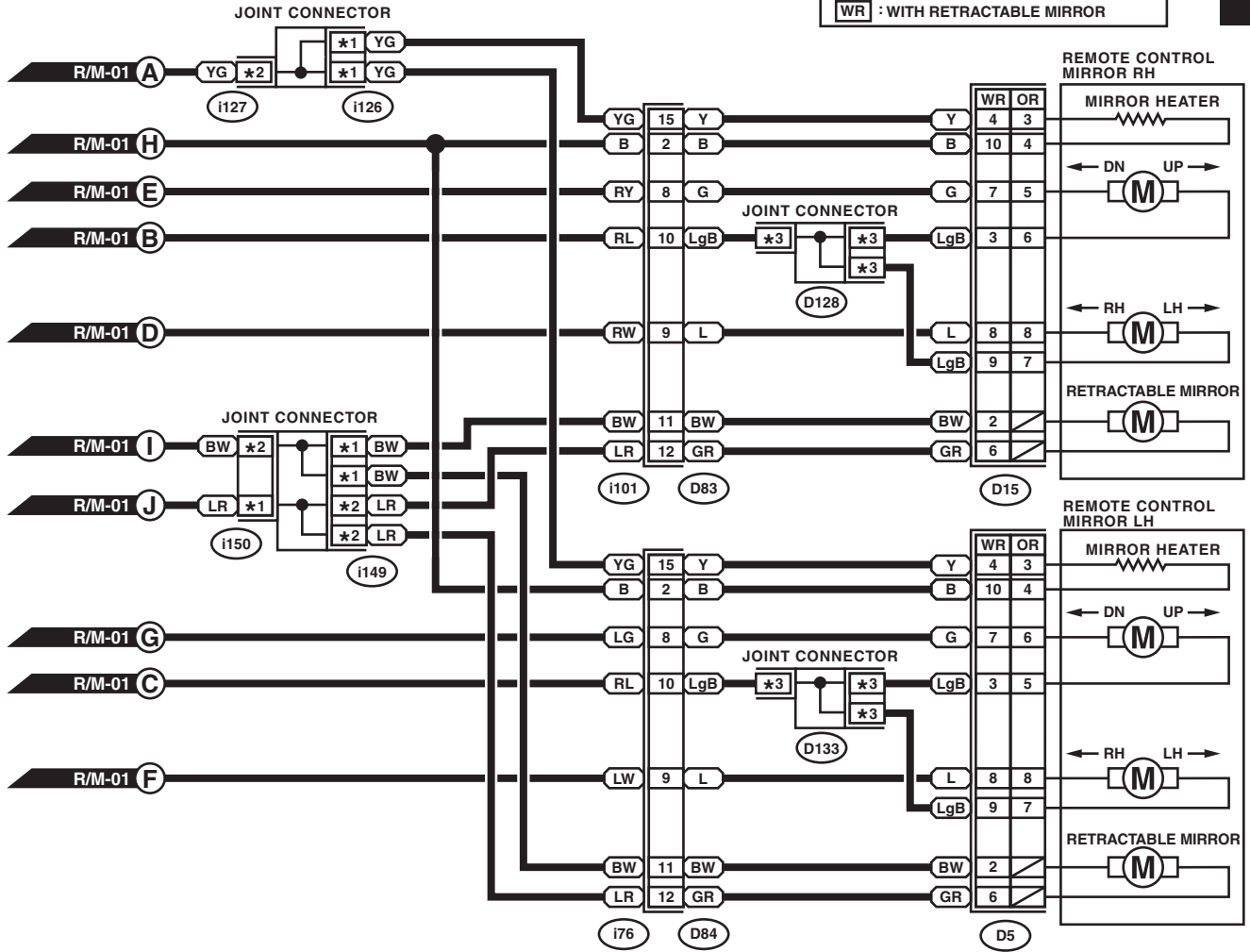
# Remote Control Mirror System

WIRING SYSTEM

R/M-02

R/M-02

- \*1** : TERMINAL No. OPTIONAL ARRANGEMENT BETWEEN 1 AND 2
- \*2** : TERMINAL No. OPTIONAL ARRANGEMENT BETWEEN 5 AND 6
- \*3** : TERMINAL No. OPTIONAL ARRANGEMENT
- OR** : WITHOUT RETRACTABLE MIRROR
- WR** : WITH RETRACTABLE MIRROR



WI-16092