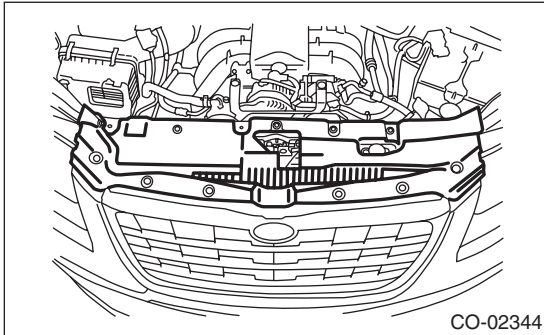


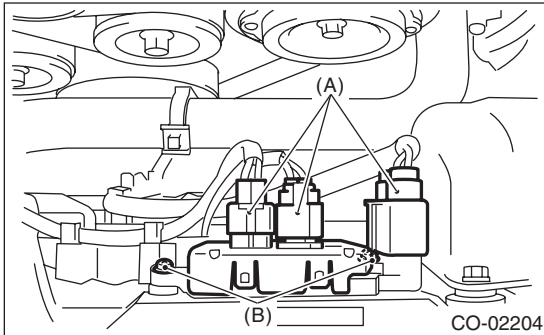
11. Radiator Fan Control Unit

A: REMOVAL

- 1) Disconnect the ground cable from battery.
- 2) Remove the air intake duct. <Ref. to IN(H6DO)-8, REMOVAL, Air Intake Duct.>
- 3) Remove the front upper cover.



- 4) Remove the radiator fan control unit.
 - (1) Disconnect the connector (A) from the radiator fan control unit.
 - (2) Remove the screws (B) holding the radiator fan control unit.



B: INSTALLATION

Install in the reverse order of removal.

Tightening torque:

2.6 N·m (0.3 kgf-m, 1.9 ft-lb)