

# Drain Filter

EMISSION CONTROL (AUX. EMISSION CONTROL DEVICES)

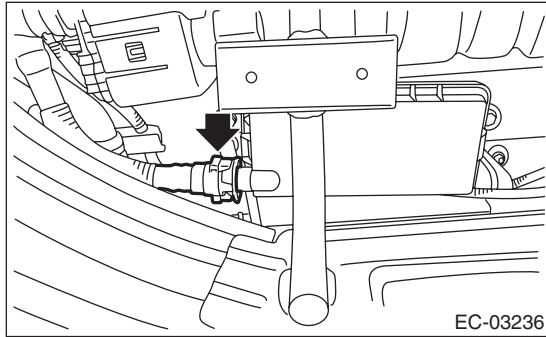
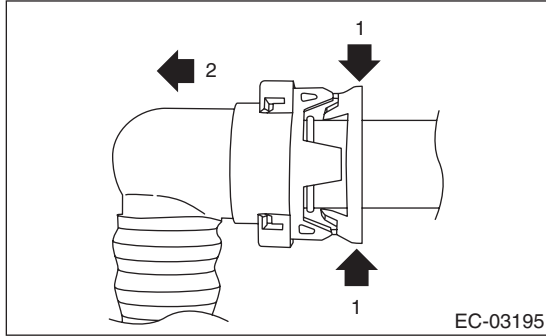
## 9. Drain Filter

### A: REMOVAL

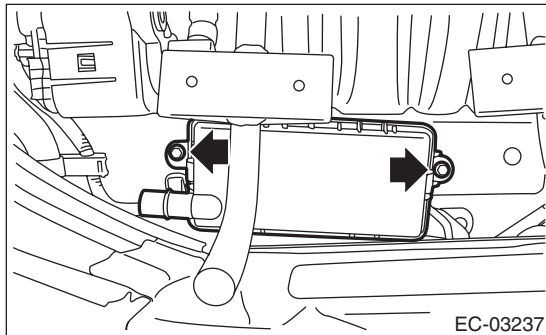
- 1) Remove the spare tire from the vehicle.
- 2) Lift up the vehicle.
- 3) Disconnect the drain tube from the drain filter.

#### NOTE:

Disconnect the quick connector as shown in the figure.



- 4) Remove the drain filter from the vehicle.



### B: INSTALLATION

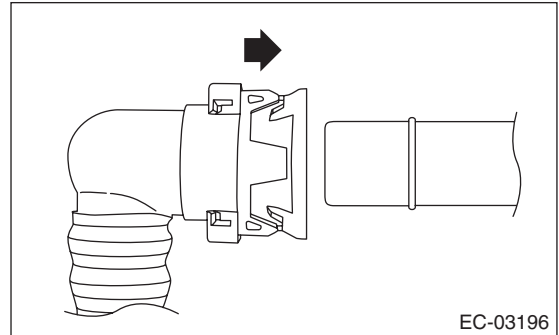
Install in the reverse order of removal.

#### CAUTION:

- Make sure there are no damage or dust on connections. If necessary, clean the seal surface of the pipe.
- Make sure that the quick connector is securely connected.

#### NOTE:

Connect the quick connector as shown in the figure.



#### Tightening torque:

**15 N·m (1.5 kgf-m, 11.1 ft-lb)**

### C: INSPECTION

- 1) Check that the drain filter has no deformation, cracks or other damages.
- 2) Check that no foreign substances are clogged in the drain filter.