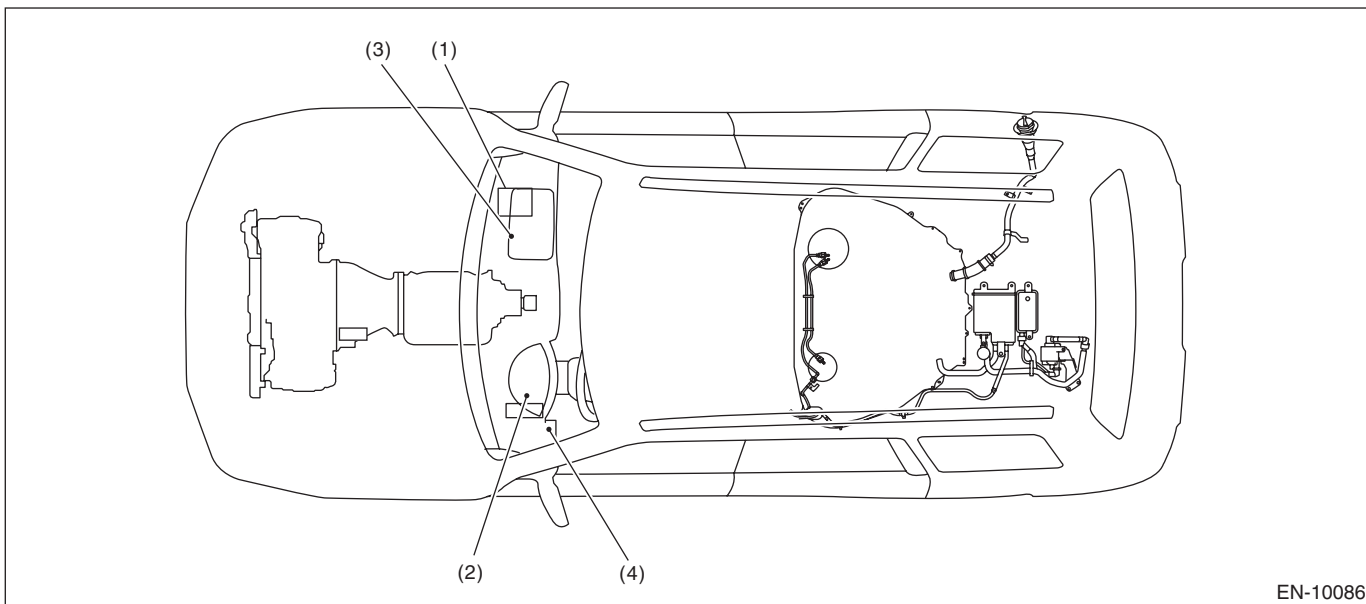


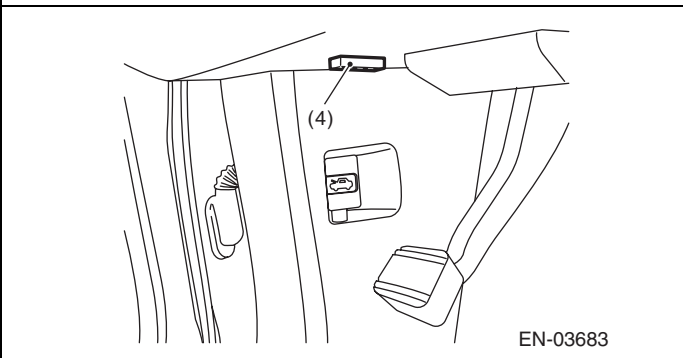
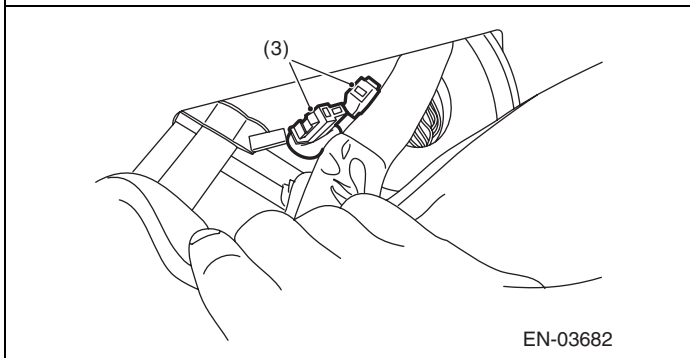
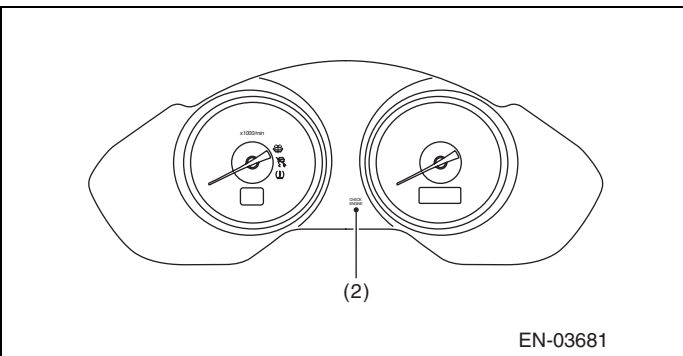
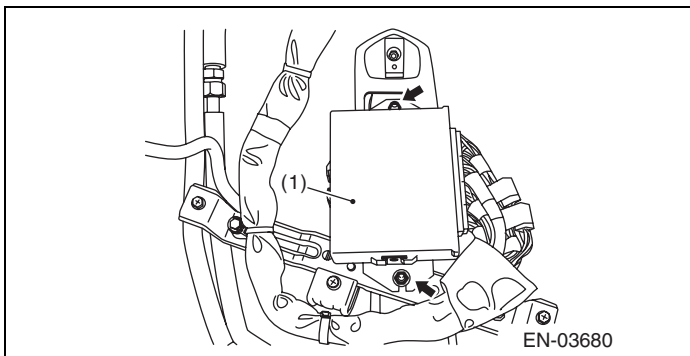
4. Electrical Component Location

A: LOCATION

1. CONTROL MODULE



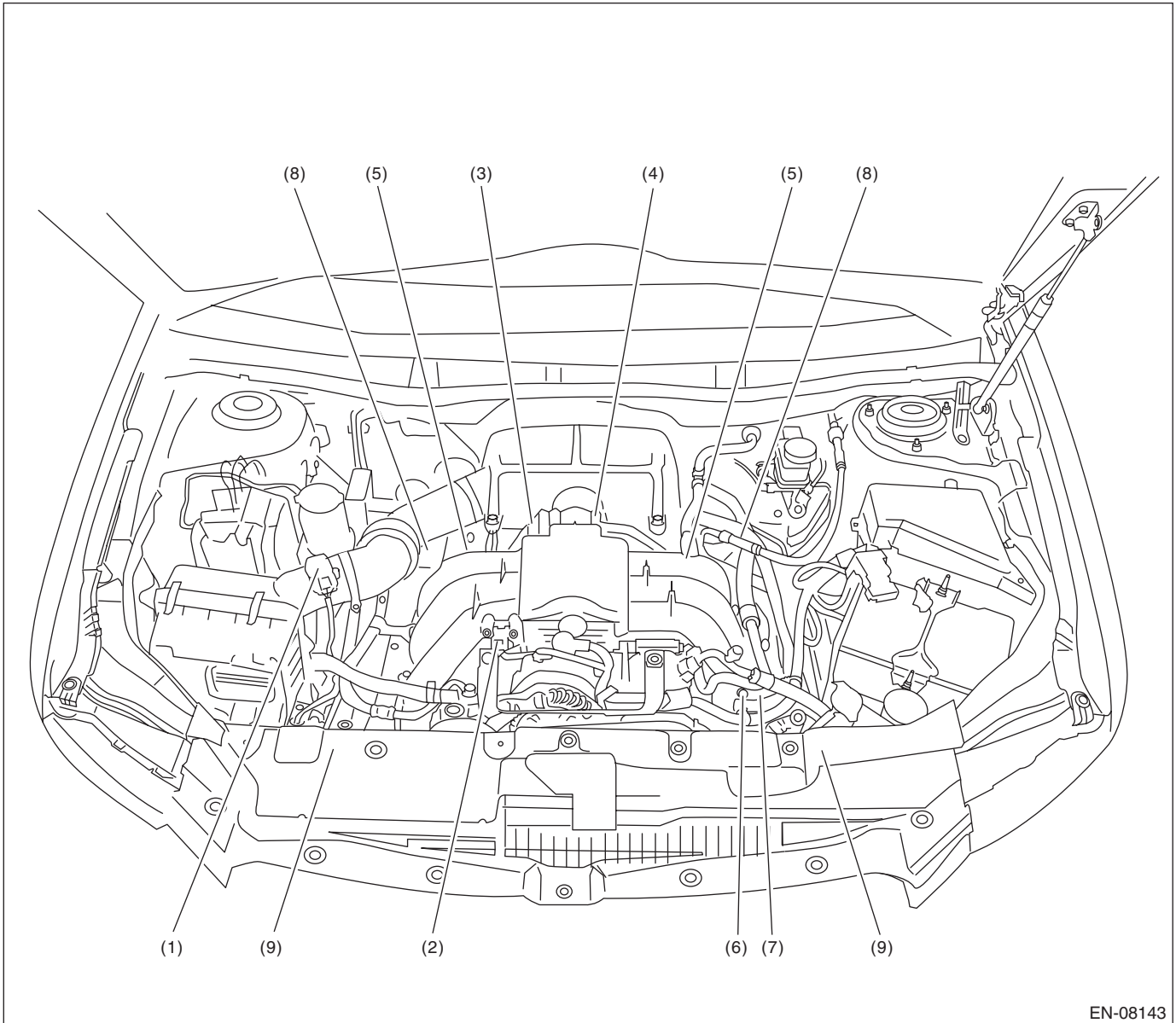
- (1) Engine control module (ECM) (3) Delivery (test) mode connector (4) Data link connector
(2) Malfunction indicator light



Electrical Component Location

ENGINE (DIAGNOSTICS)

2. SENSOR

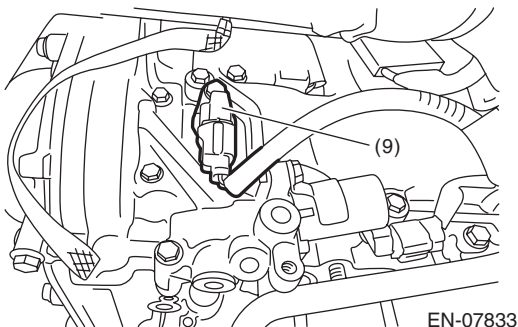
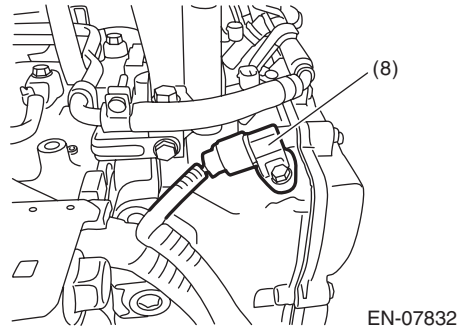
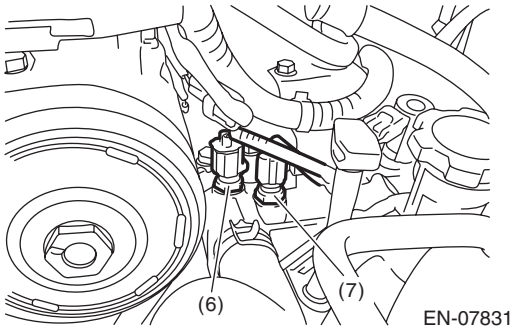
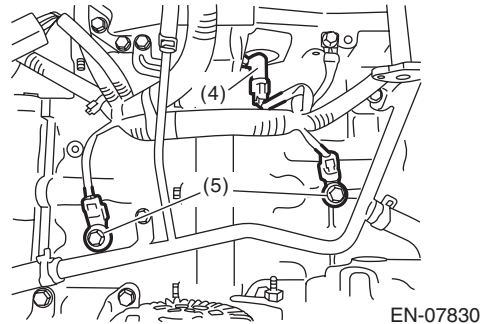
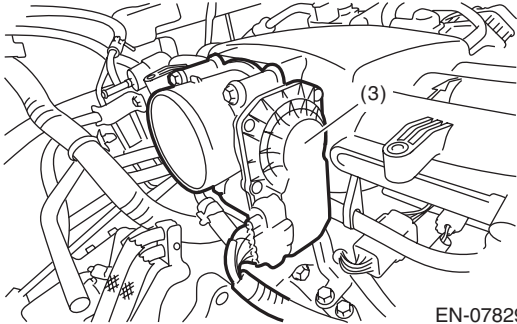
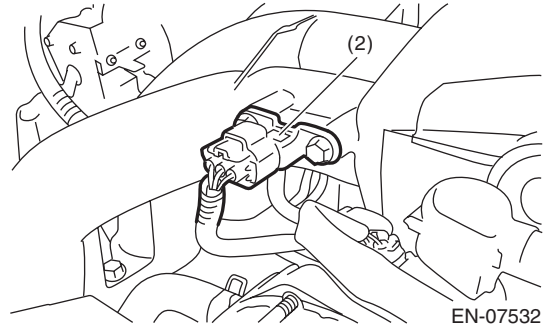
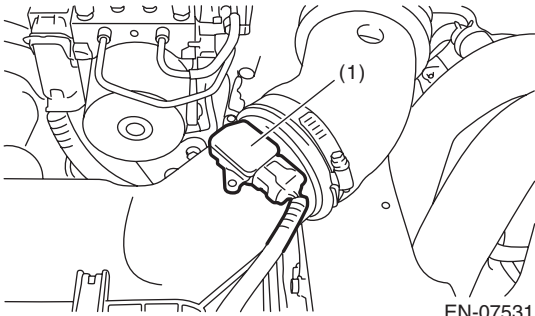


EN-08143

- | | | |
|---|---------------------------------------|--------------------------------------|
| (1) Mass air flow and intake air temperature sensor | (4) Crankshaft position sensor | (7) Engine oil temperature sensor |
| (2) Manifold absolute pressure sensor | (5) Knock sensor | (8) Intake camshaft position sensor |
| (3) Electronic throttle control | (6) Engine coolant temperature sensor | (9) Exhaust camshaft position sensor |

Electrical Component Location

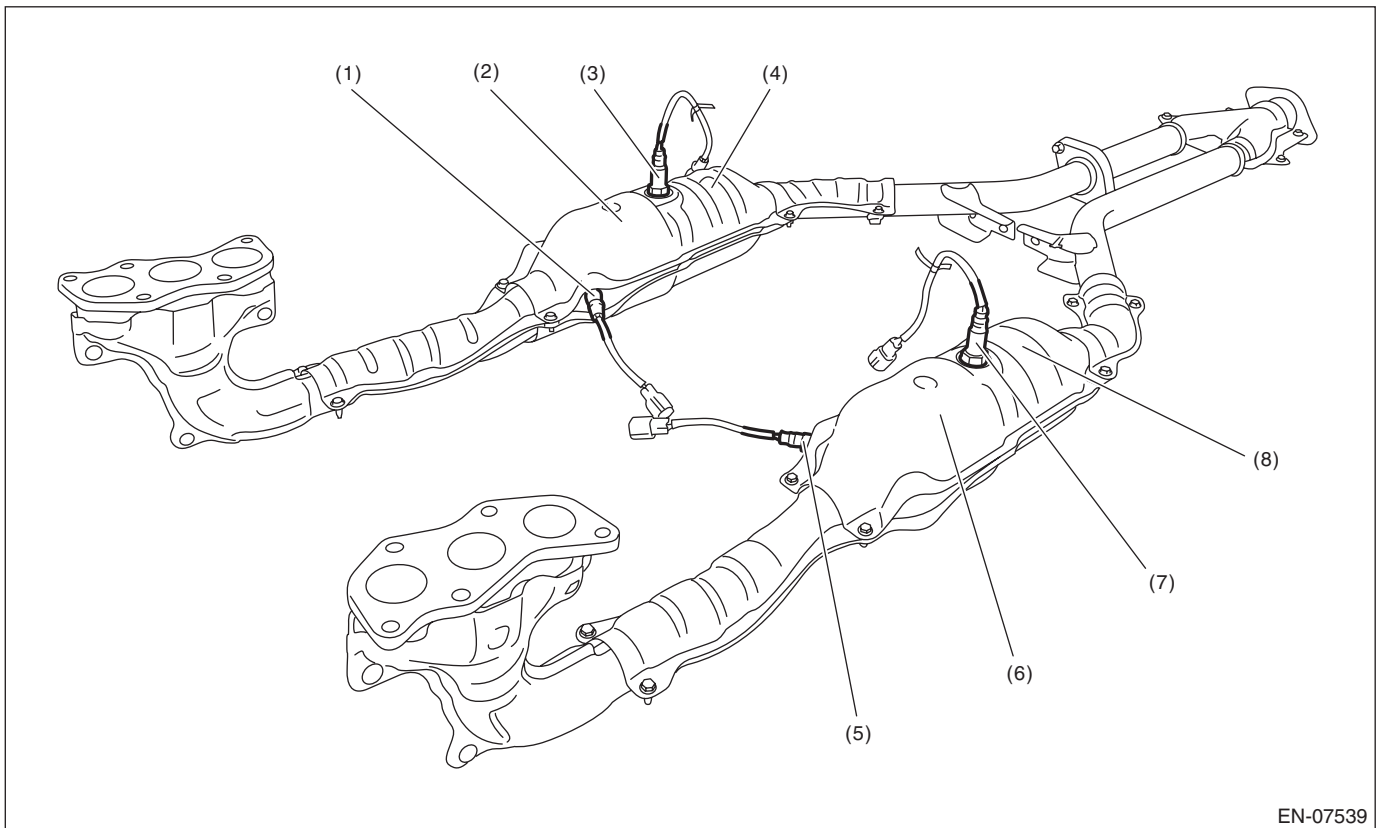
ENGINE (DIAGNOSTICS)



SUBARU.

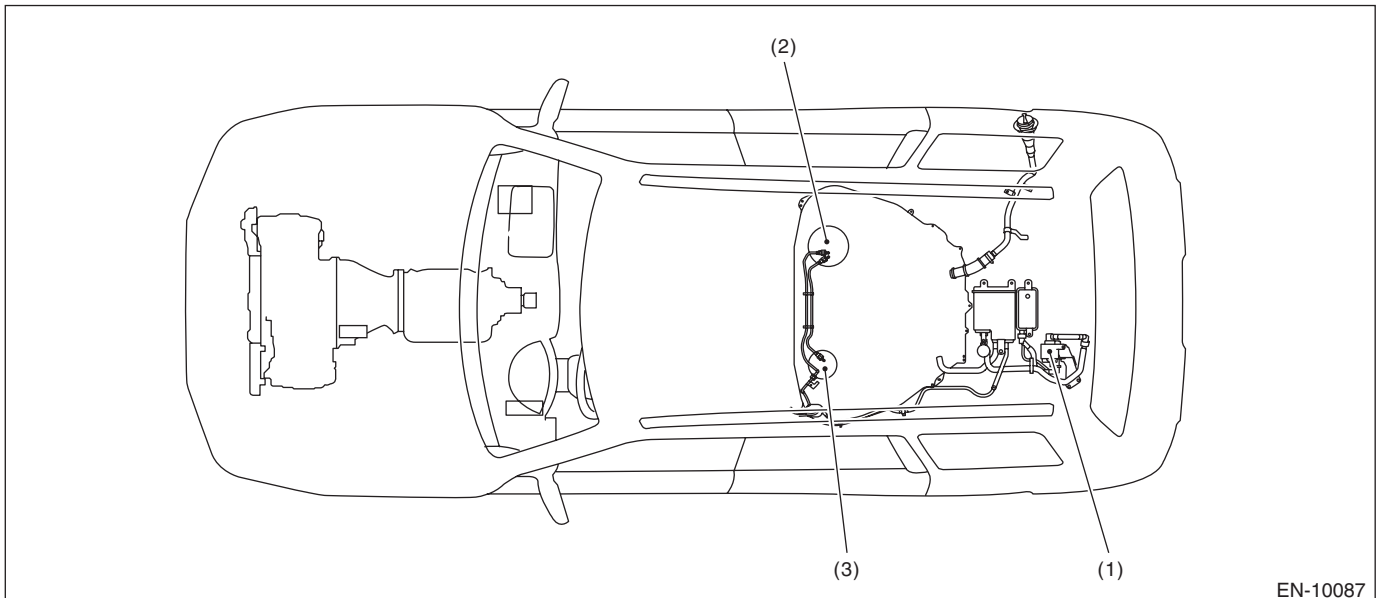
Electrical Component Location

ENGINE (DIAGNOSTICS)



EN-07539

- | | | |
|----------------------------------|----------------------------------|---------------------------------|
| (1) Front oxygen (A/F) sensor RH | (4) Rear catalytic converter RH | (7) Rear oxygen sensor LH |
| (2) Front catalytic converter RH | (5) Front oxygen (A/F) sensor LH | (8) Rear catalytic converter LH |
| (3) Rear oxygen sensor RH | (6) Front catalytic converter LH | |

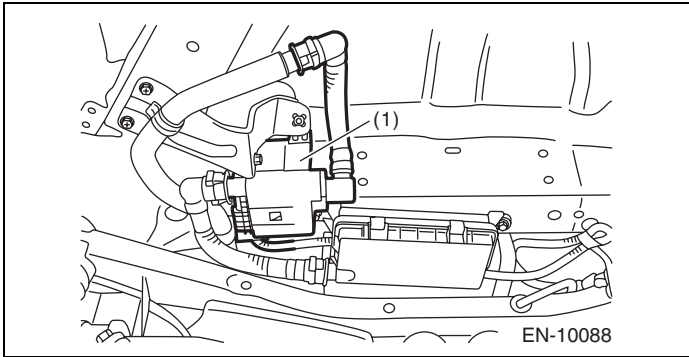


EN-10087

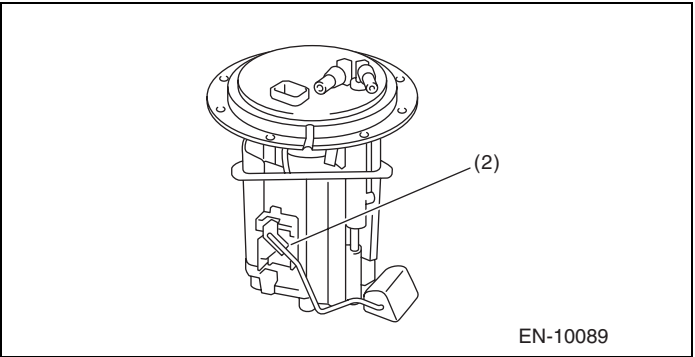
- | | | |
|---|-----------------------|---------------------------|
| (1) Leak check valve ASSY (with built-in pressure sensor) | (2) Fuel level sensor | (3) Fuel sub level sensor |
|---|-----------------------|---------------------------|

Electrical Component Location

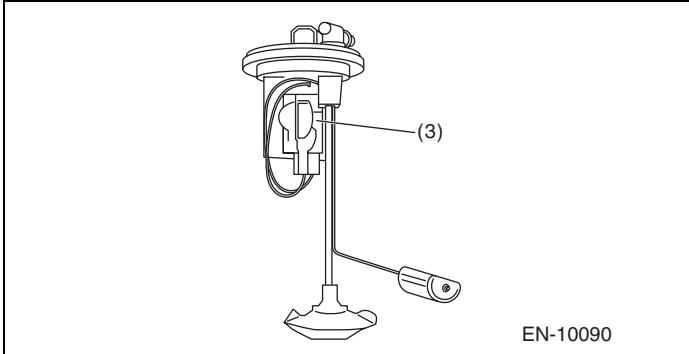
ENGINE (DIAGNOSTICS)



EN-10088



EN-10089



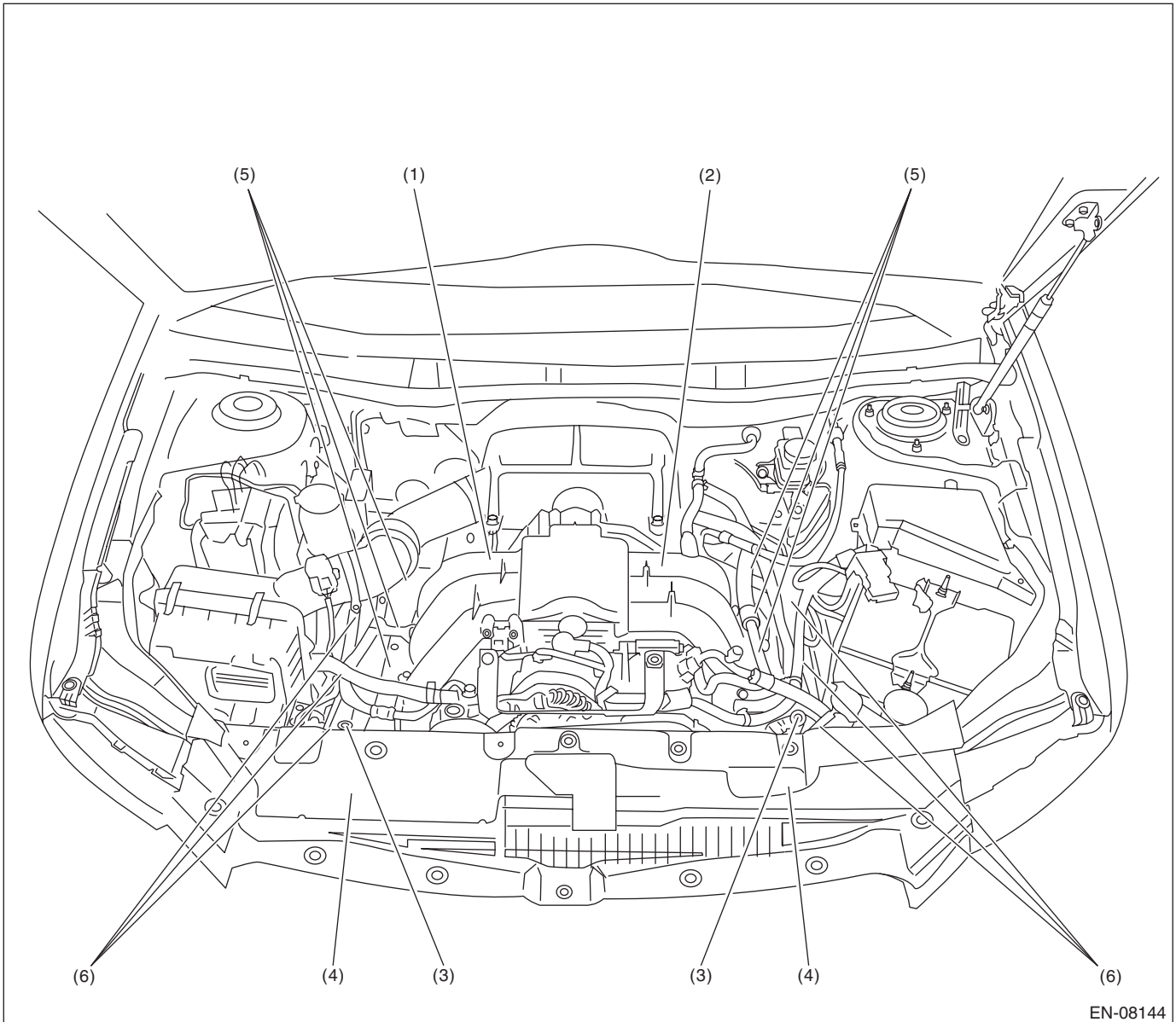
EN-10090



Electrical Component Location

ENGINE (DIAGNOSTICS)

3. SOLENOID VALVE, ACTUATOR, EMISSION CONTROL SYSTEM PARTS AND IGNITION SYSTEM PARTS



EN-08144

(1) Purge control solenoid valve

(3) Intake oil flow control solenoid valve

(5) Fuel injector

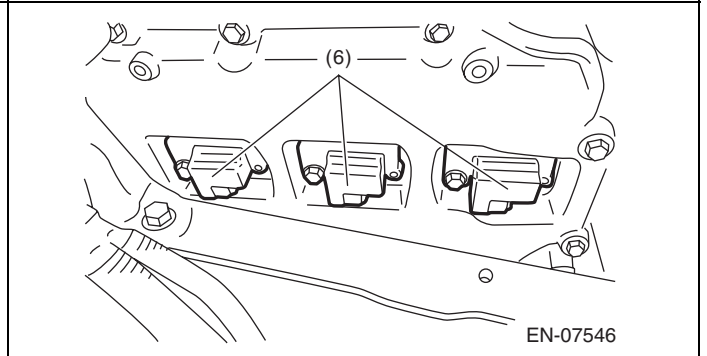
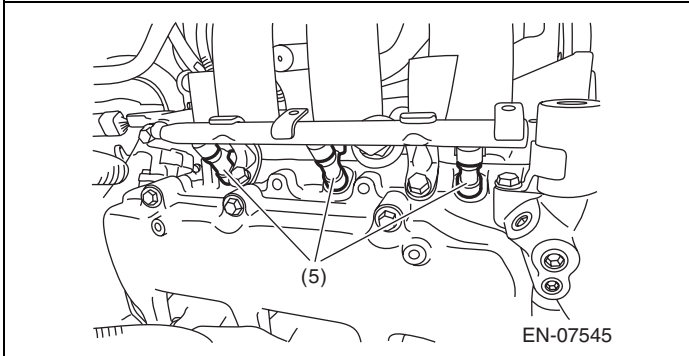
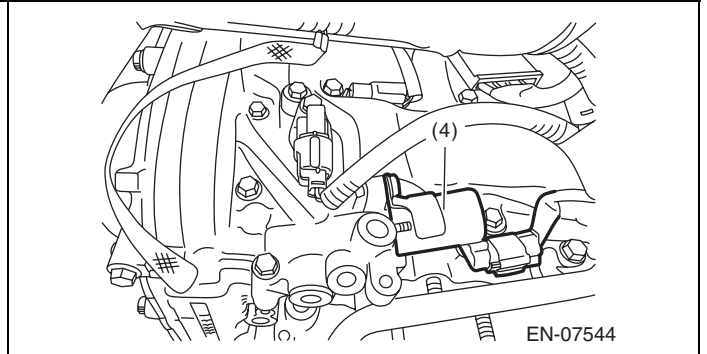
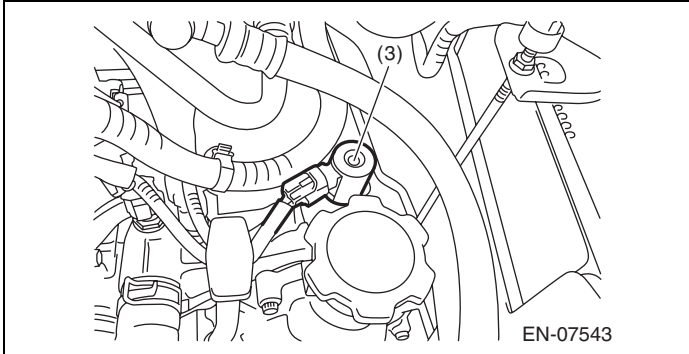
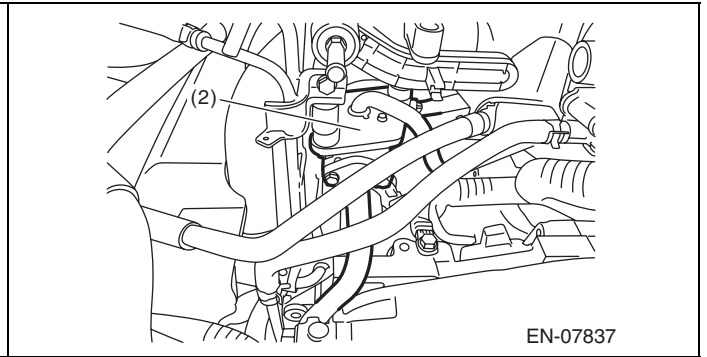
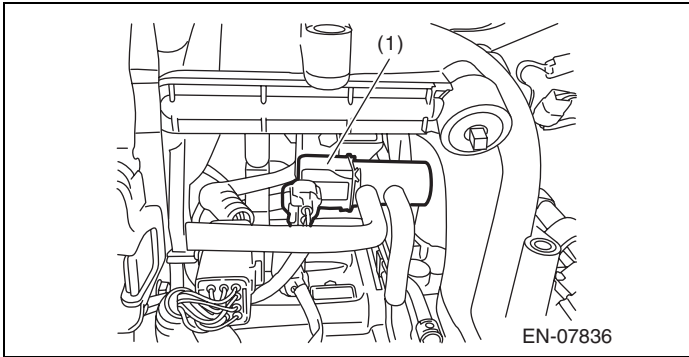
(2) EGR control valve

(4) Exhaust oil flow control solenoid valve

(6) Ignition coil

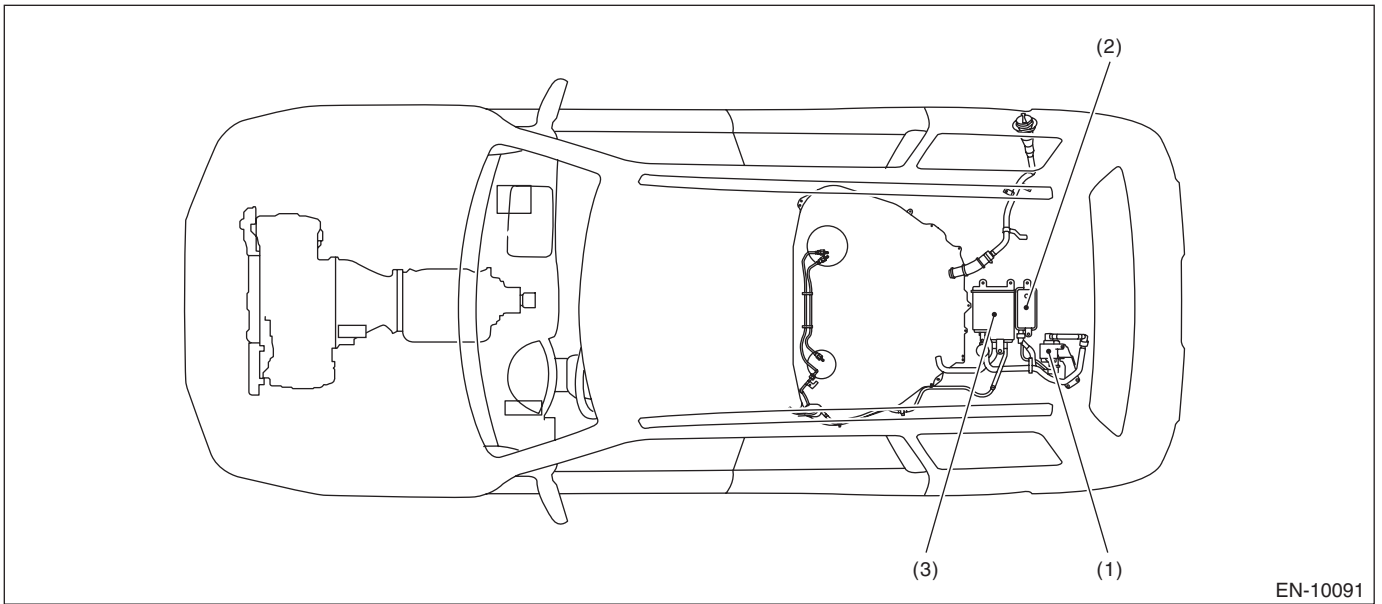
Electrical Component Location

ENGINE (DIAGNOSTICS)



Electrical Component Location

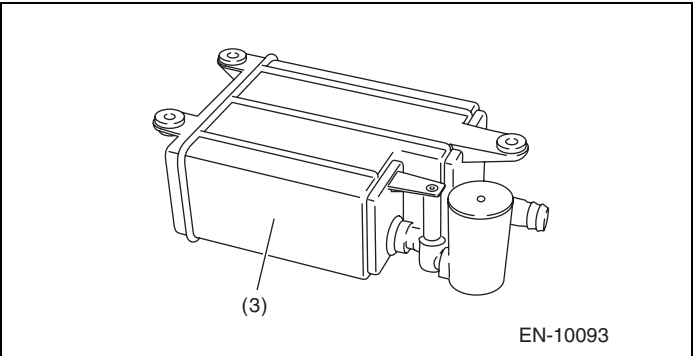
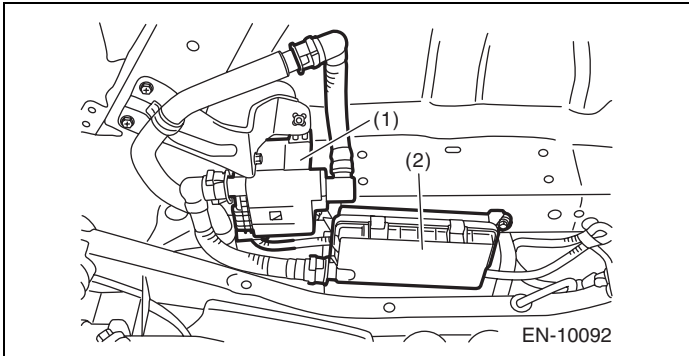
ENGINE (DIAGNOSTICS)



(1) Leak check valve ASSY

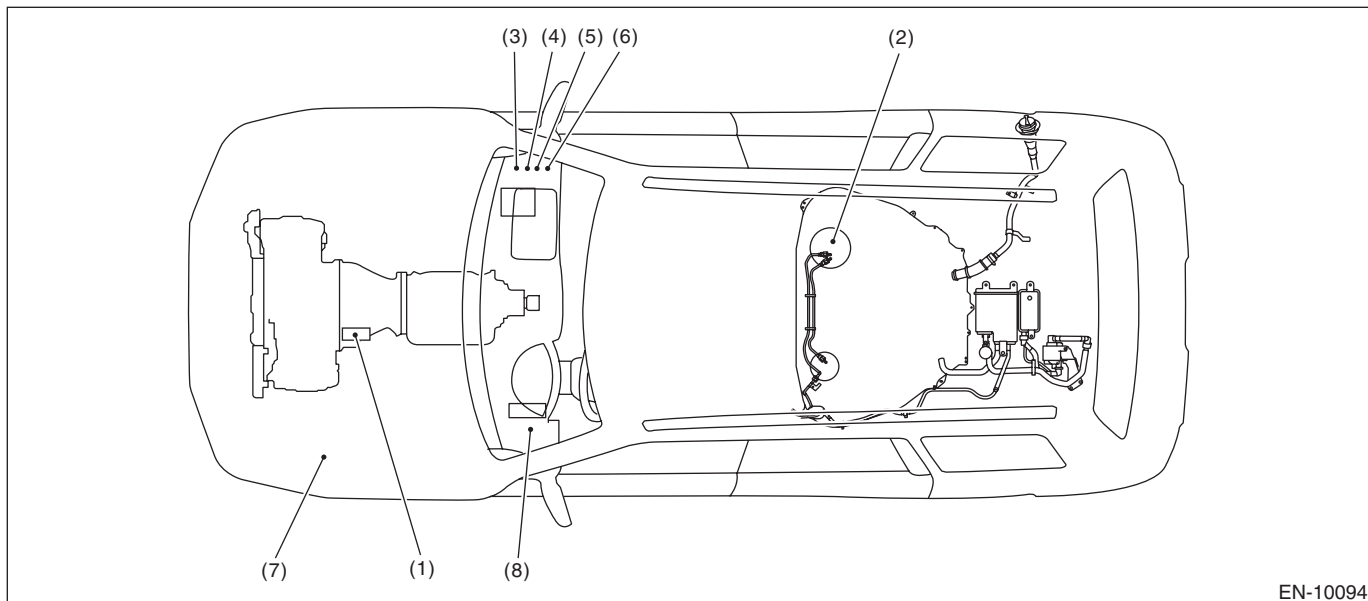
(2) Drain filter

(3) Canister



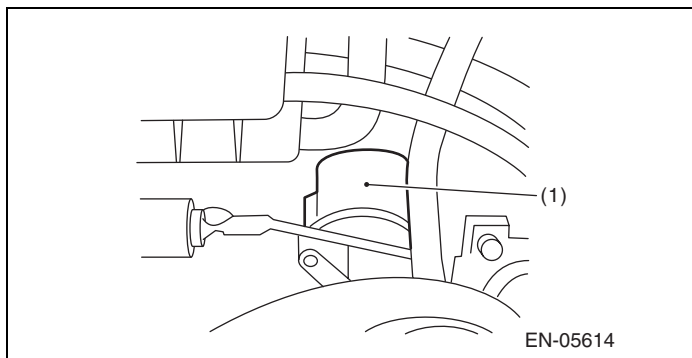
Electrical Component Location

ENGINE (DIAGNOSTICS)

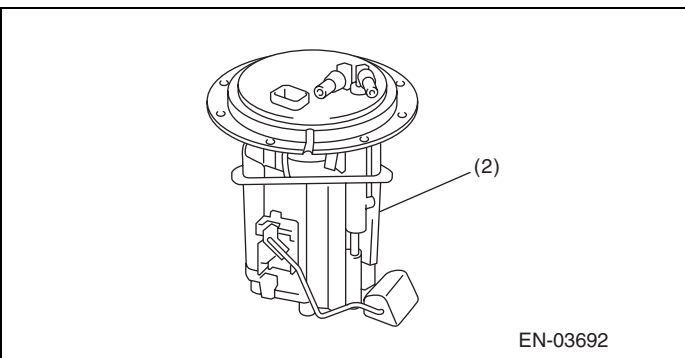


EN-10094

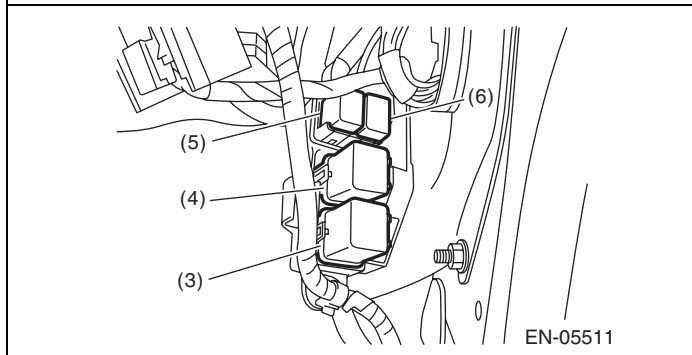
- | | | |
|------------------|---------------------------------------|--------------------|
| (1) Starter | (4) Main relay | (7) Main fan relay |
| (2) Fuel pump | (5) Electronic throttle control relay | (8) Starter relay |
| (3) Main relay 2 | (6) Fuel pump relay | |



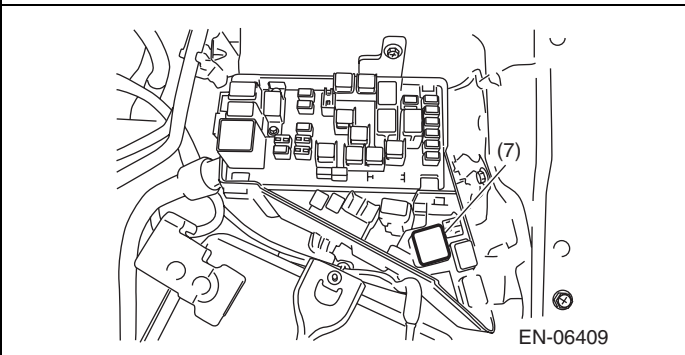
EN-05614



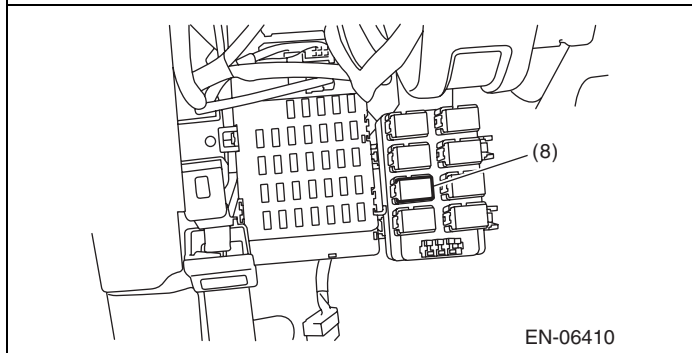
EN-03692



EN-05511



EN-06409



EN-06410

