

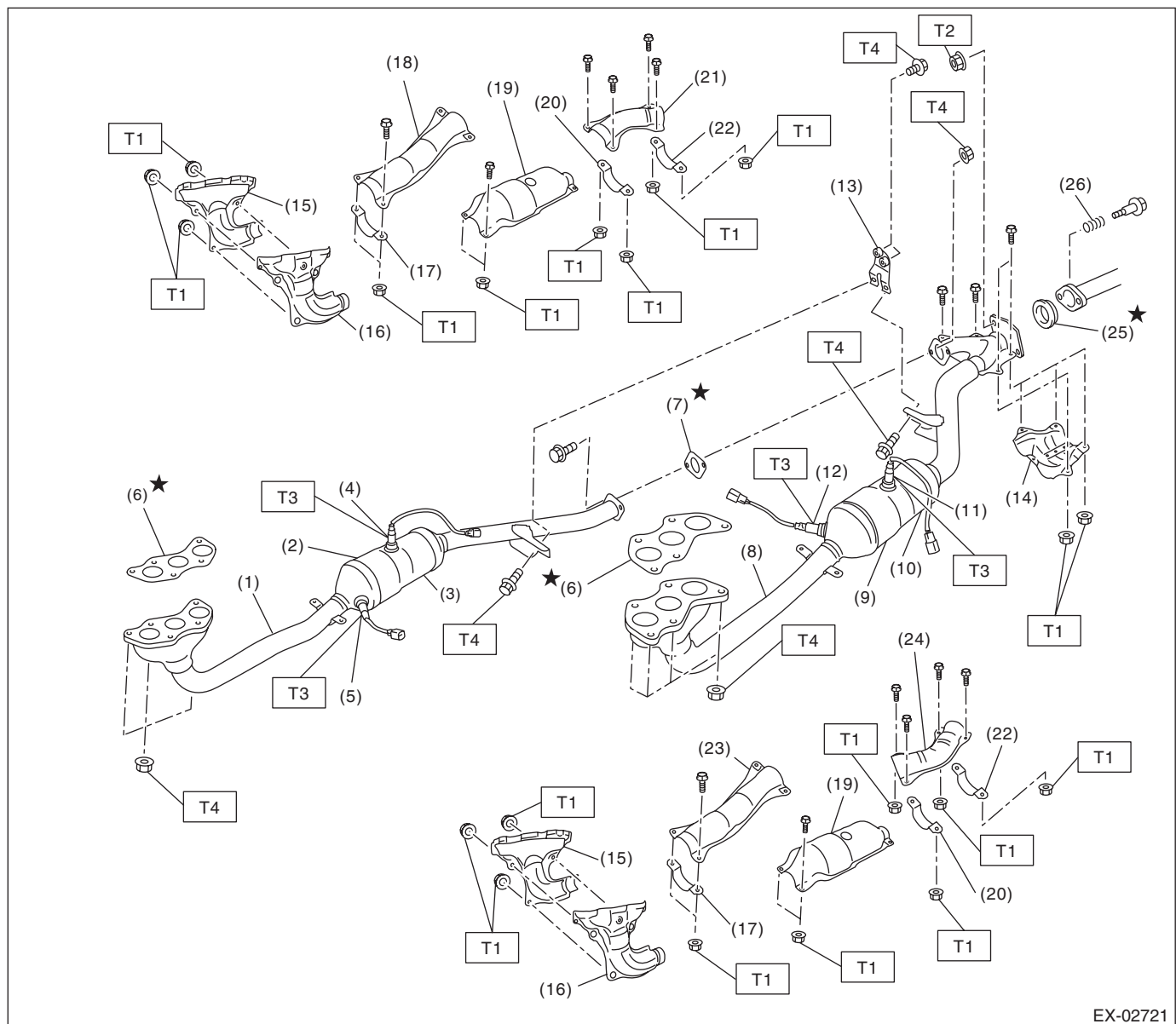
General Description

EXHAUST

1. General Description

A: COMPONENT

1. FRONT EXHAUST PIPE



EX-02721

(1) Front exhaust pipe (RH)	(13) Bracket	(23) Front exhaust pipe upper cover (LH) (front)
(2) Front catalytic converter (RH)	(14) Protector	(24) Front exhaust pipe upper cover (LH) (rear)
(3) Rear catalytic converter (RH)	(15) Front exhaust pipe cover (RH)	(25) Gasket
(4) Rear oxygen sensor (RH)	(16) Front exhaust pipe cover (LH)	(26) Spring
(5) Front oxygen sensor (RH)	(17) Clamp	
(6) Gasket	(18) Front exhaust pipe upper cover (RH) (front)	
(7) Gasket	(19) Catalytic converter upper cover	
(8) Front exhaust pipe (LH)	(20) Clamp	
(9) Front catalytic converter (LH)	(21) Front exhaust pipe upper cover (RH) (rear)	
(10) Rear catalytic converter (LH)	(22) Clamp	
(11) Rear oxygen sensor (LH)		
(12) Front oxygen sensor (LH)		

Tightening torque: N·m (kgf·m, ft·lb)

T1: 13 (1.3, 9.6)

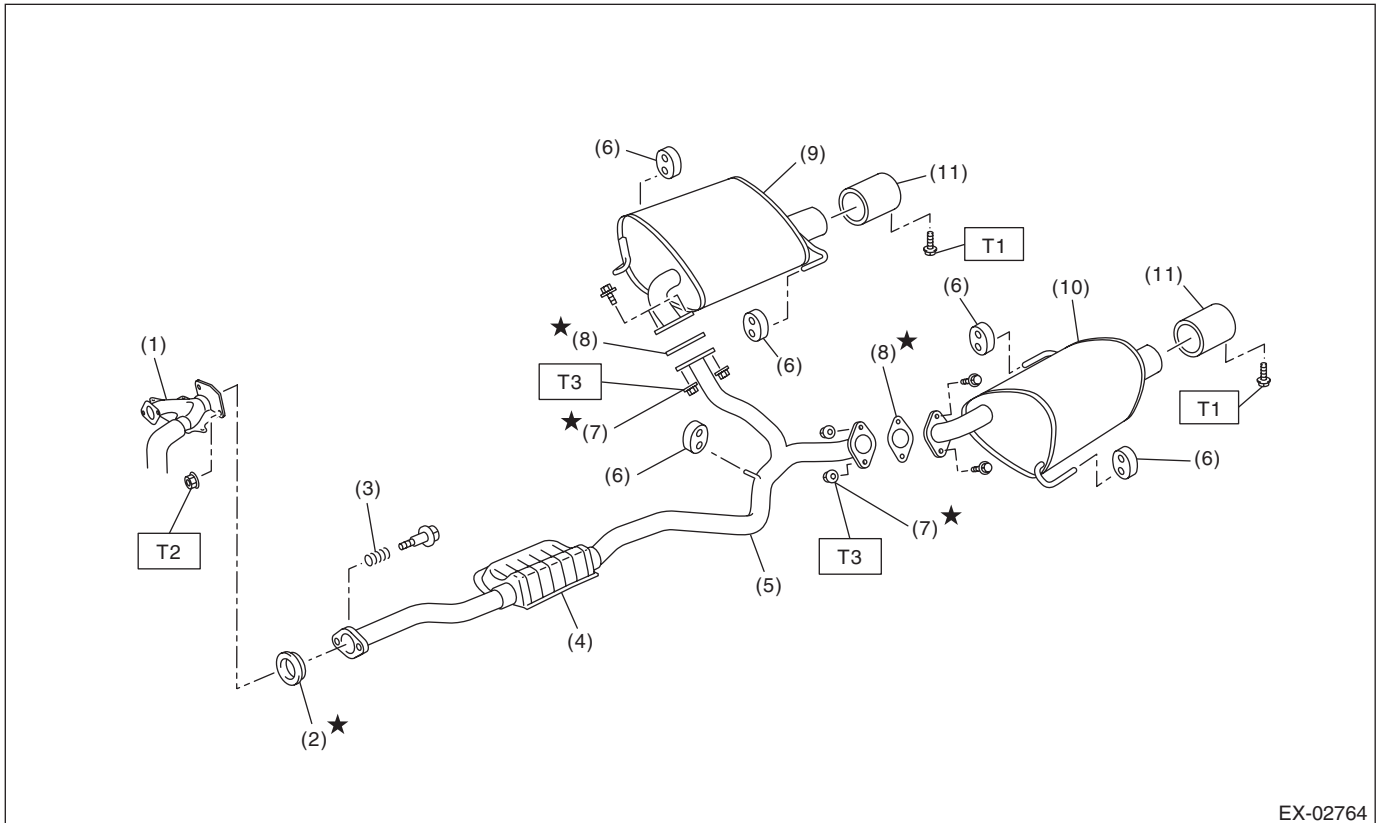
T2: 18 (1.8, 13.3)

T3: 21 (2.1, 15.5)

T4: 30 (3.1, 22.1)

EX(H6DO)-2

2. REAR EXHAUST PIPE AND MUFFLER



EX-02764

- | | |
|-----------------------------|----------------------|
| (1) Front exhaust pipe (LH) | (7) Self-locking nut |
| (2) Gasket | (8) Gasket |
| (3) Spring | (9) Muffler (RH) |
| (4) Chamber | (10) Muffler (LH) |
| (5) Rear exhaust pipe | (11) Muffler cutter |
| (6) Cushion rubber | |

Tightening torque: N-m (kgf-m, ft-lb)

T1: 7.5 (0.8, 5.5)

T2: 18 (1.8, 13.3)

T3: 48 (4.9, 35.4)

B: CAUTION

- Prior to starting work, pay special attention to the following:
 1. Always wear work clothes, a safety cap, protective shoes. Additionally, wear a helmet, protective goggles, etc. if necessary.
 2. Protect the vehicle using a seat cover, fender cover, etc.
 3. Prepare the service tools, clean cloth, containers to catch grease and oil, etc.
- Vehicle components are extremely hot immediately after driving. Be wary of receiving burns from heated parts.
- When performing a repair, identify the cause of trouble and avoid unnecessary removal, disassembly and replacement.
- Before disconnecting connectors of sensors or units, be sure to disconnect the ground cable from battery.
- Always use the jack-up point when the shop jacks or rigid racks are used to support the vehicle.
- Remove contamination including dirt and corrosion before removal, installation, disassembly or assembly.
- Keep the removed parts in order and protect them from dust and dirt.
- All removed parts, if to be reused, should be reinstalled in the original positions with attention to the correct directions, etc.
- Bolts, nuts and washers should be replaced with new parts as required.
- Be sure to tighten the fasteners including bolts and nuts to the specified torque.
- If any fat adheres to the exhaust pipe, wipe it off. Otherwise a fire may happen.