

Front Exhaust Pipe

EXHAUST

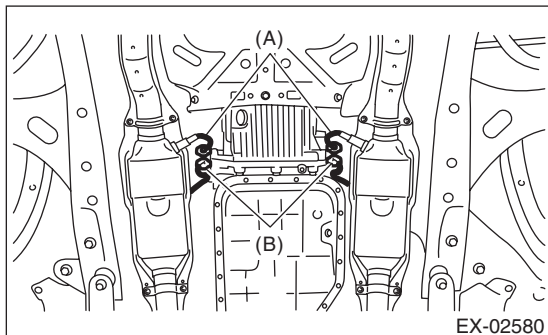
2. Front Exhaust Pipe

A: REMOVAL

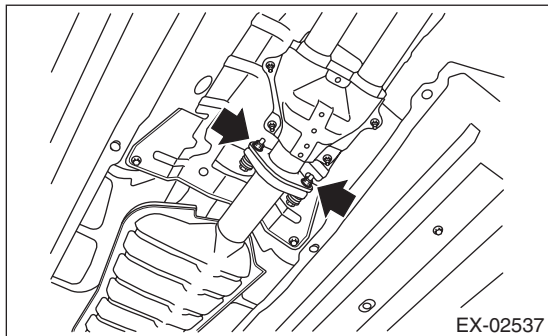
CAUTION:

Vehicle components are extremely hot after driving. Be wary of receiving burns from heated parts.

- 1) Disconnect the ground cable from battery.
- 2) Lift up the vehicle.
- 3) Remove the under cover. <Ref. to EI-18, REMOVAL, Front Under Cover.>
- 4) Disconnect the front oxygen (A/F) sensor connector (A) and rear oxygen sensor connector (B).



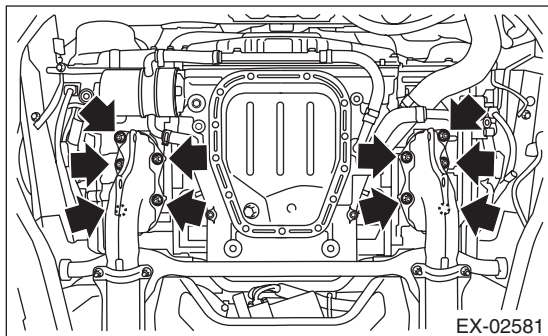
- 5) Remove the rear exhaust pipe from the front exhaust pipe assembly.



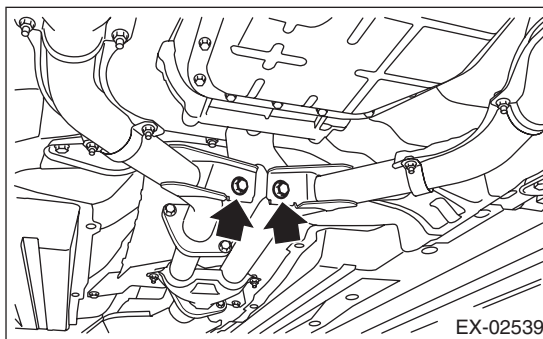
- 6) Remove the nuts which hold front exhaust pipe assembly onto cylinder heads.

CAUTION:

Be careful not to drop the front exhaust pipe assembly.



- 7) Remove the bolt which holds front exhaust pipe assembly to hanger bracket.

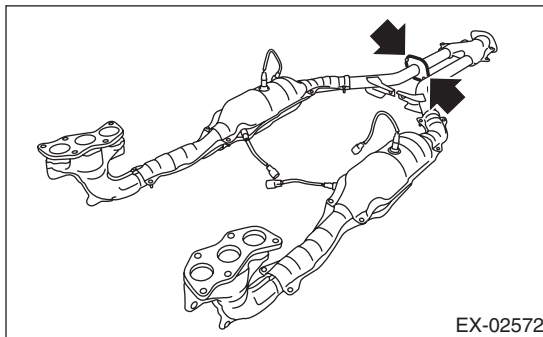


- 8) Remove the front exhaust pipe assembly.

CAUTION:

- Be careful not to let the front exhaust pipe assembly fall off when removing, since it is very heavy.
- After removing the front exhaust pipe assembly, do not apply excessive pulling force on the rear exhaust pipe.

- 9) Separate the front exhaust pipe (RH) from the front exhaust pipe (LH).



- 10) Remove the front oxygen (A/F) sensor and rear oxygen sensor. <Ref. to FU(H6DO)-48, REMOVAL, Front Oxygen (A/F) Sensor.> <Ref. to FU(H6DO)-50, REMOVAL, Rear Oxygen Sensor.>

B: INSTALLATION

- 1) Install the front oxygen (A/F) sensor and rear oxygen sensor. <Ref. to FU(H6DO)-48, INSTALLATION, Front Oxygen (A/F) Sensor.> <Ref. to FU(H6DO)-50, INSTALLATION, Rear Oxygen Sensor.>

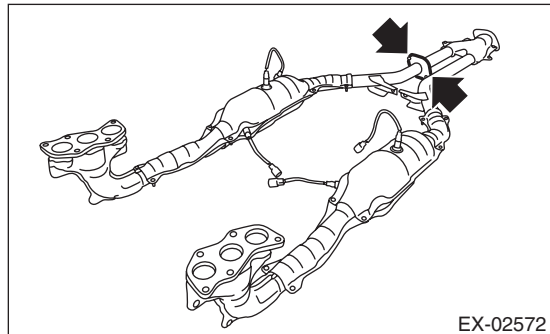
2) Install the front exhaust pipe (RH) to the front exhaust pipe (LH).

NOTE:

Use a new gasket.

Tightening torque:

30 N·m (3.1 kgf·m, 22.1 ft·lb)

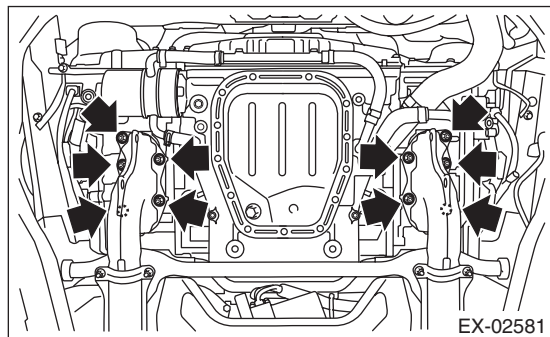


3) Install the front exhaust pipe assembly.

NOTE:

Use a new gasket.

4) Temporarily tighten the nuts which hold front exhaust pipe assembly to cylinder heads.



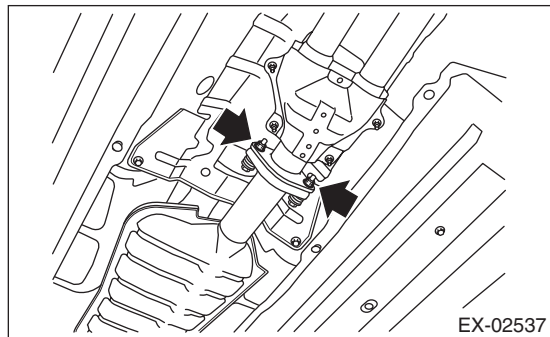
5) Install the front exhaust pipe assembly to the rear exhaust pipe.

NOTE:

Use a new gasket.

Tightening torque:

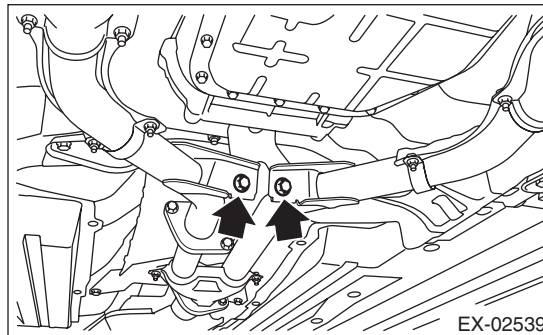
18 N·m (1.8 kgf·m, 13.3 ft·lb)



6) Tighten the bolts which hold front exhaust pipe assembly to hanger bracket.

Tightening torque:

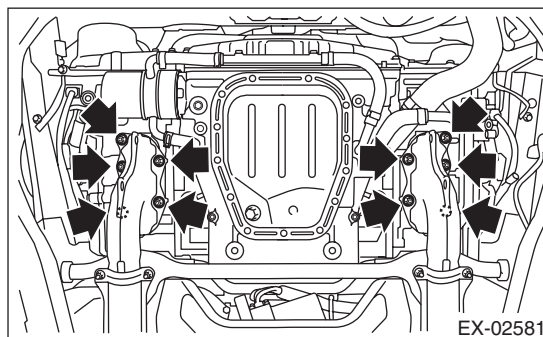
30 N·m (3.1 kgf·m, 22.1 ft·lb)



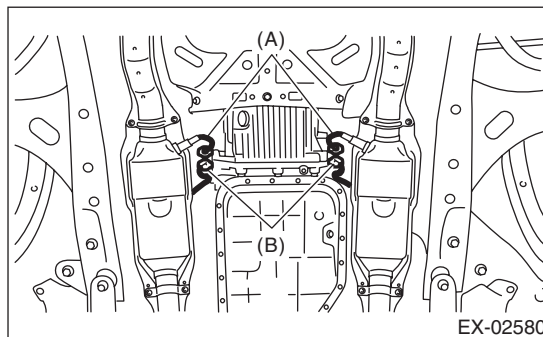
7) Tighten the nuts which hold front exhaust pipe assembly to cylinder heads.

Tightening torque:

30 N·m (3.1 kgf·m, 22.1 ft·lb)



8) Connect the front oxygen (A/F) sensor connector (A) and rear oxygen sensor connector (B).



9) Install the under cover. <Ref. to EI-18, INSTALLATION, Front Under Cover.>

10) Lower the vehicle.

11) Connect the battery ground terminal.

C: INSPECTION

1) Check the connections and welds for exhaust leaks.

2) Make sure there are no holes or rusting.