

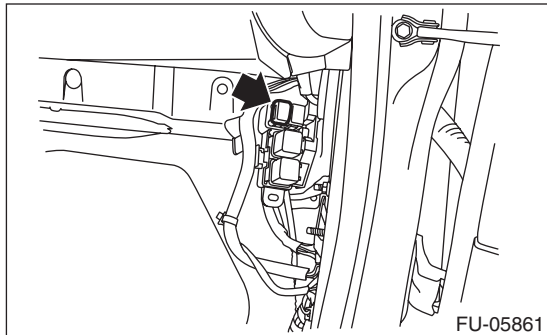
Electronic Throttle Control Relay

FUEL INJECTION (FUEL SYSTEMS)

20. Electronic Throttle Control Relay

A: REMOVAL

- 1) Disconnect the ground cable from battery.
- 2) Remove the passenger's front door scuff plate. <Ref. to EI-44, FRONT DOOR SCUFF PLATE, REMOVAL, Side Trim.>
- 3) Remove the front pillar lower trim. <Ref. to EI-44, FRONT PILLAR LOWER TRIM, REMOVAL, Side Trim.>
- 4) Remove the electronic throttle control relay from the relay holder.

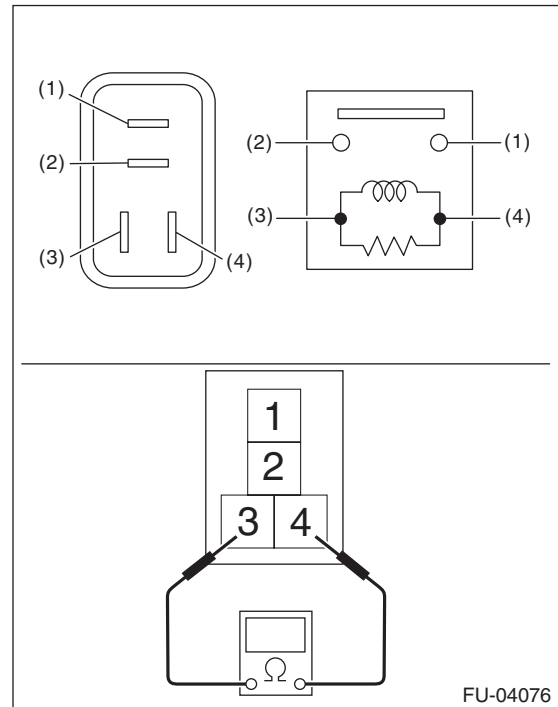


B: INSTALLATION

Install in the reverse order of removal.

C: INSPECTION

- 1) Check that the electronic throttle control relay has no deformation, cracks or other damages.
- 2) Measure the resistance between electronic throttle control relay terminals.

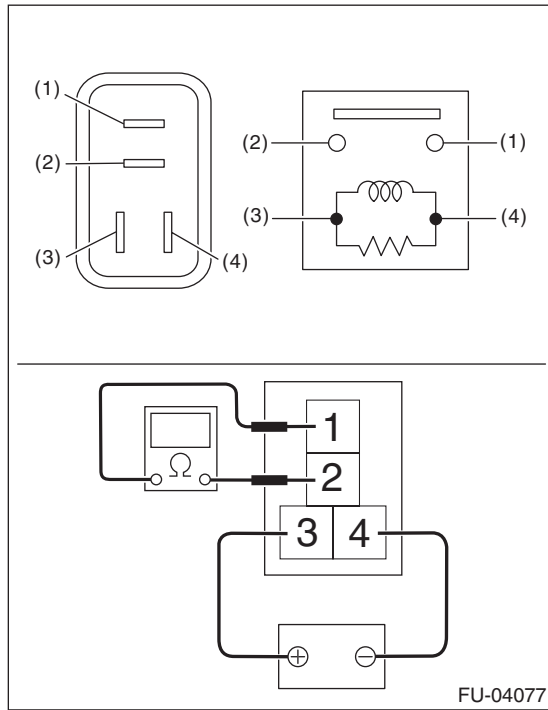


Terminal No.	Standard
1 and 2	1 M Ω or more
3 and 4	93.8 — 136.4 Ω (when 20°C (68°F))

Electronic Throttle Control Relay

FUEL INJECTION (FUEL SYSTEMS)

3) Connect battery positive terminal to terminal No. 3 and battery ground terminal to terminal No. 4, and measure the resistance between the electronic throttle control relay terminals.



Terminal No.	Standard
1 and 2	Less than 1 Ω