

# Fuel Sub Level Sensor

FUEL INJECTION (FUEL SYSTEMS)

## 27. Fuel Sub Level Sensor

### A: REMOVAL

#### WARNING:

Place "NO OPEN FLAMES" signs near the working area.

#### CAUTION:

- Be careful not to spill fuel.
- If the fuel gauge indicates that two thirds or more of the fuel is remaining, be sure to drain fuel before starting work to avoid the fuel to spill.

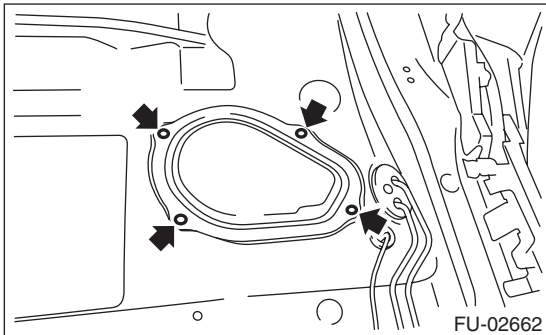
1) Release the fuel pressure. <Ref. to FU(H6DO)-58, RELEASING OF FUEL PRESSURE, PROCEDURE, Fuel.>

2) Drain fuel. <Ref. to FU(H6DO)-58, DRAINING FUEL (WITH SUBARU SELECT MONITOR), PROCEDURE, Fuel.>

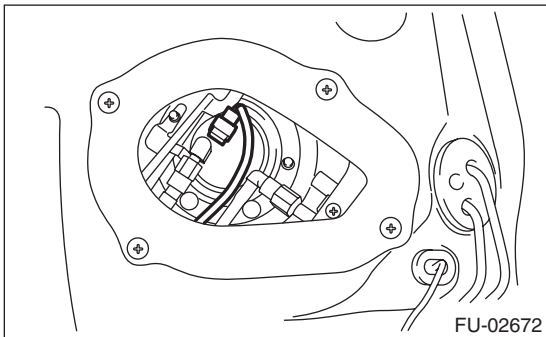
3) Disconnect the ground cable from battery.

4) Remove the second row seats. <Ref. to SE-15, REMOVAL, Second Seat.>

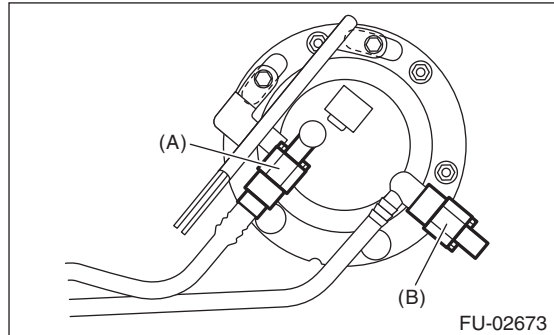
5) Remove the service hole cover.



6) Disconnect the connector from the fuel sub level sensor.

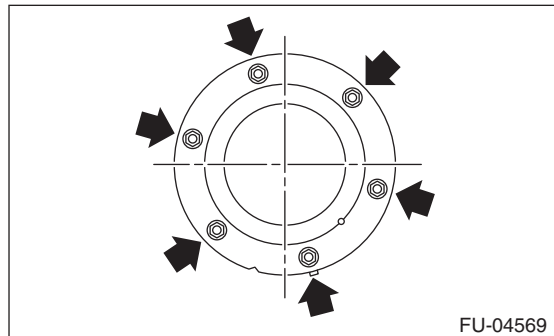


7) Disconnect the quick connectors of fuel delivery tube and fuel sub delivery tube. <Ref. to FU(H6DO)-74, REMOVAL, Fuel Delivery and Evaporation Lines.>



- (A) Fuel sub delivery tube
- (B) Fuel delivery tube

8) Remove the nuts securing the fuel sub level sensor upper plate to the fuel tank and remove the fuel sub level sensor upper plate.



9) Remove the fuel sub level sensor.

## B: INSTALLATION

Install in the reverse order of removal while being careful of the following.

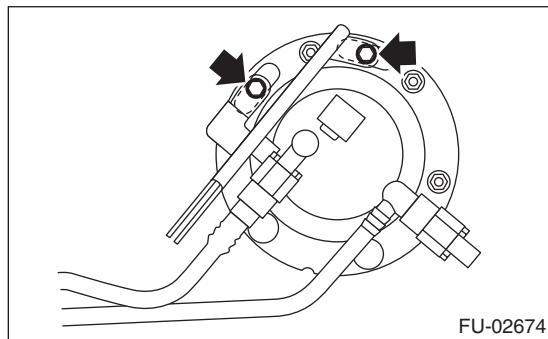
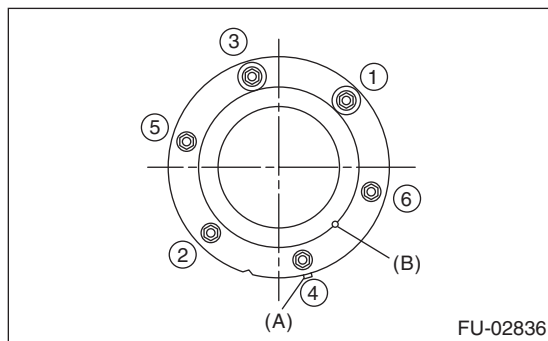
- Make sure the sealing portion is free from fuel or foreign matter before installation.
- Align protrusion (A) of the gasket to the position shown in the following figure.
- Align protrusion of the fuel sub level sensor to the cutout in the fuel sub level sensor upper plate.
- Tighten the nuts and bolts to the specified torque in the order as shown in the figure.

NOTE:

Use a new gasket.

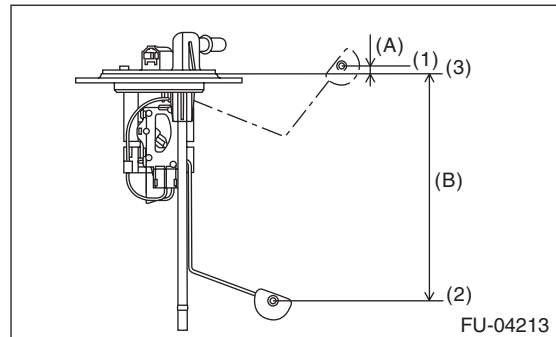
**Tightening torque:**

**4.4 N·m (0.4 kgf·m, 3.2 ft·lb)**



## C: INSPECTION

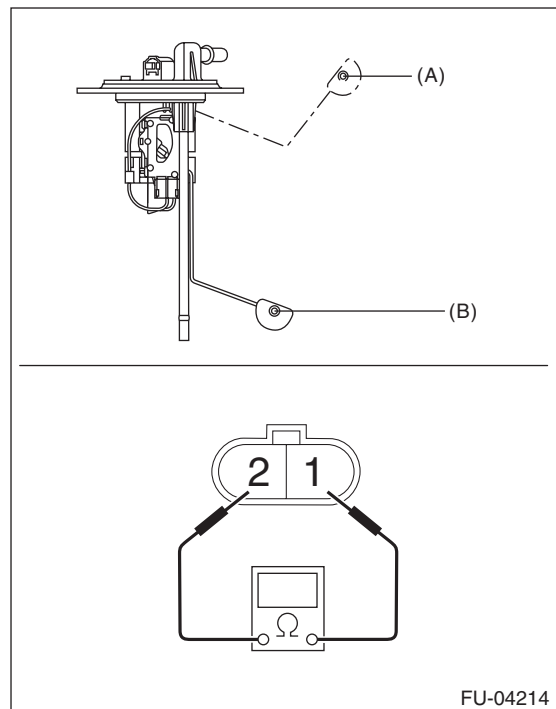
- 1) Check that the fuel sub level sensor has no damage.
- 2) Measure the fuel sub level sensor float position.



- (1) FULL  
 (2) EMPTY  
 (3) Datum points

Float position	Standard
FULL to Datum point (A)	5.3±3.5 mm (0.209±0.138 in)
EMPTY to Datum point (B)	160.6±3.5 mm (6.323±0.138 in)

- 3) Measure the resistance between fuel sub level sensor terminals.



Float position	Terminal No.	Standard
FULL (A)	1 and 2	2.0±1.0 Ω
EMPTY (B)		62.1±1.0 Ω