

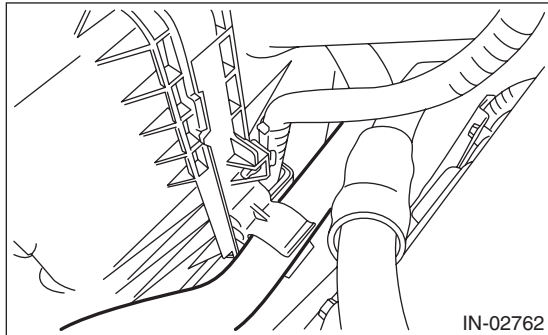
Air Cleaner Element

INTAKE (INDUCTION)

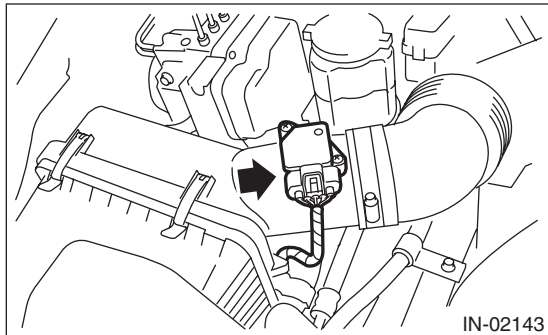
2. Air Cleaner Element

A: REMOVAL

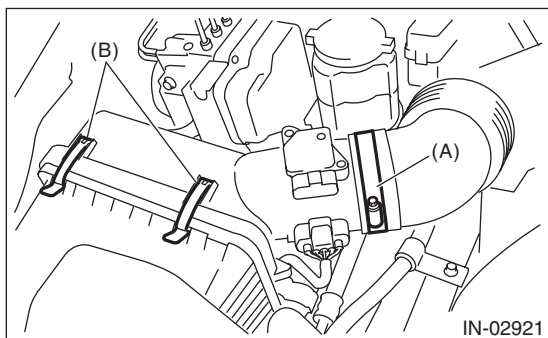
- 1) Disconnect the ground cable from battery.
- 2) Disconnect the power steering oil pressure hose (suction hose) from the clip on the side of air cleaner case (rear).



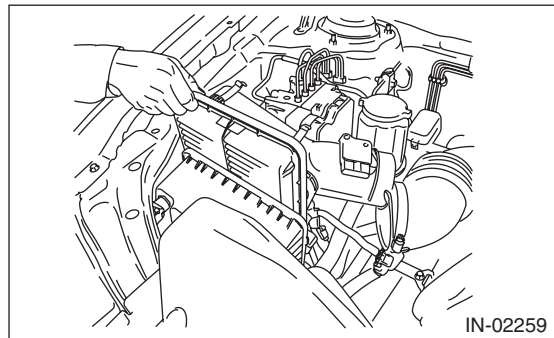
- 3) Disconnect the connectors from the mass air flow and intake air temperature sensor.



- 4) Loosen the clamp (A) which connects the air cleaner case (rear) to intake duct.
- 5) Remove the clips (B) securing the upper side of the air cleaner case.



- 6) Pull the air cleaner case (rear) backward of the vehicle, and remove the air cleaner element.



B: INSTALLATION

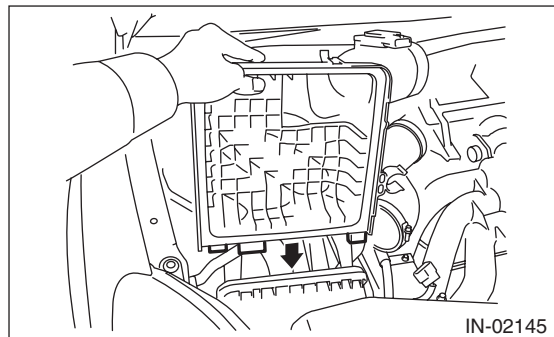
Install in the reverse order of removal.

CAUTION:

Be sure to use **SUBARU** genuine air cleaner element depending on the engine type when replacing the air cleaner elements. Using other air cleaner element may affect the engine performance.

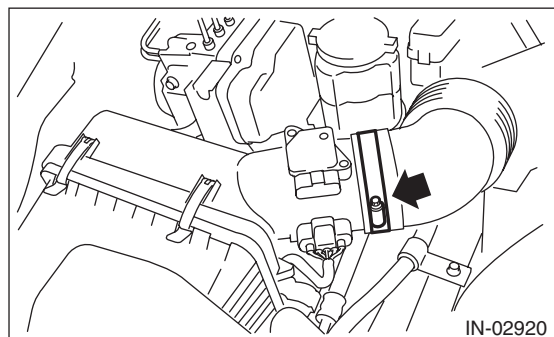
NOTE:

- Check that there are no foreign objects in the air cleaner case.
- When installing the air cleaner case (rear), align the protrusion of the air cleaner case (rear) to the hole on the air cleaner case (front) to install.



Tightening torque:

3 N·m (0.3 kgf-m, 2.2 ft-lb)



C: INSPECTION

- 1) Check that the air cleaner element has no deformation, cracks or other damages.
- 2) Check if the air cleaner element is extremely dirty.