

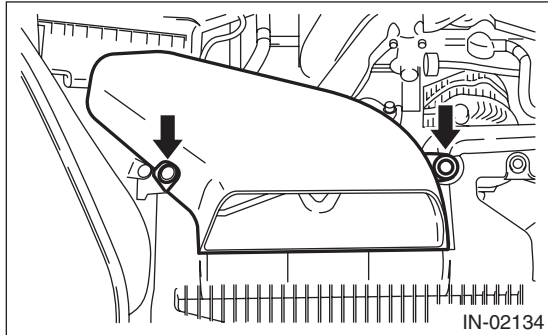
Air Intake Duct

INTAKE (INDUCTION)

5. Air Intake Duct

A: REMOVAL

- 1) Remove the clip holding the air intake duct.
- 2) Remove the air intake duct.



B: INSTALLATION

Install in the reverse order of removal.

C: INSPECTION

- 1) Check that the air intake duct has no deformation, cracks or other damages.
- 2) Check that no foreign matter is mixed in air intake duct.