

6. Resonator Chamber

A: REMOVAL

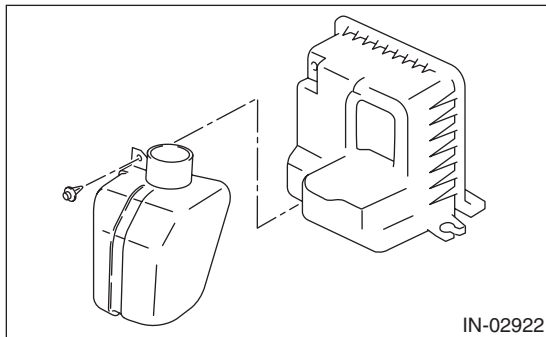
The resonator chamber and air cleaner case are integrated into one unit; therefore, refer to “Air Cleaner Case” for the removal procedure. <Ref. to IN(H6DO)-5, REMOVAL, Air Cleaner Case.>

B: INSTALLATION

The resonator chamber and air cleaner case are integrated into one unit; therefore, refer to “Air Cleaner Case” for installation procedure. <Ref. to IN(H6DO)-6, INSTALLATION, Air Cleaner Case.>

C: DISASSEMBLY

1) Remove the clip which connects the resonator chamber and the air cleaner case (front).



2) Separate the resonator chamber and the air cleaner case (front).

D: ASSEMBLY

Assemble in the reverse order of disassembly.

E: INSPECTION

Check that the resonator chamber has no deformation, cracks or other damages.

Resonator Chamber

INTAKE (INDUCTION)

IN(H6DO)-10

MECHANICAL

ME(H6DO)

	Page
1. General Description	2
2. Compression	26
3. Idle Speed	27
4. Ignition Timing	28
5. Intake Manifold Vacuum	29
6. Engine Oil Pressure	30
7. Fuel Pressure	31
8. Valve Clearance	32
9. Engine Assembly	36
10. Engine Mounting	44
11. Preparation for Overhaul	45
12. V-belt	46
13. Crank Pulley	47
14. Chain Cover	48
15. Timing Chain Assembly	54
16. Cam Sprocket	74
17. Crank Sprocket	75
18. Camshaft	76
19. Cylinder Head	84
20. Cylinder Block	97
21. Oil Flow Control Solenoid Valve	120
22. Intake and Exhaust Valve	121
23. Piston	122
24. Connecting Rod	123
25. Crankshaft	124
26. Engine Trouble in General	125
27. Engine Noise	131