

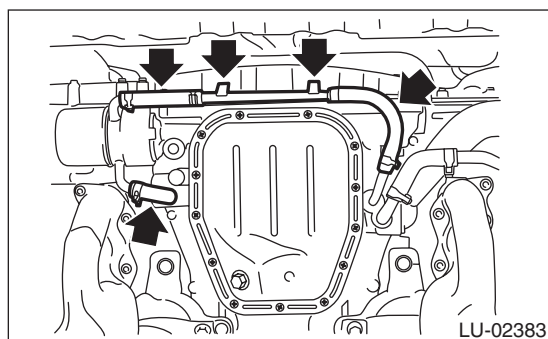
## 8. Oil Cooler

### A: REMOVAL

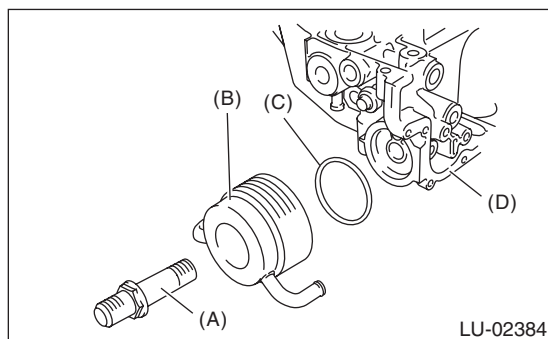
#### CAUTION:

If the engine oil is spilt over exhaust pipe or the under cover, wipe it off with cloth to avoid emitting smoke or causing a fire.

- 1) Lift up the vehicle.
- 2) Remove the under cover. <Ref. to EI-18, REMOVAL, Front Under Cover.>
- 3) Drain engine coolant. <Ref. to CO(H6DO)-12, DRAINING OF ENGINE COOLANT, REPLACEMENT, Engine Coolant.>
- 4) Drain the engine oil. <Ref. to LU(H6DO)-10, REPLACEMENT, Engine Oil.>
- 5) Remove the bolts which hold the engine oil cooler water pipe to chain cover and disconnect the water hose from oil cooler.



- 6) Remove the oil filter using the ST. <Ref. to LU(H6DO)-16, REMOVAL, Engine Oil Filter.>
- 7) Remove the oil cooler connector and remove the oil cooler.



- (A) Oil cooler connector
- (B) Oil cooler
- (C) O-ring
- (D) Oil pan upper

### B: INSTALLATION

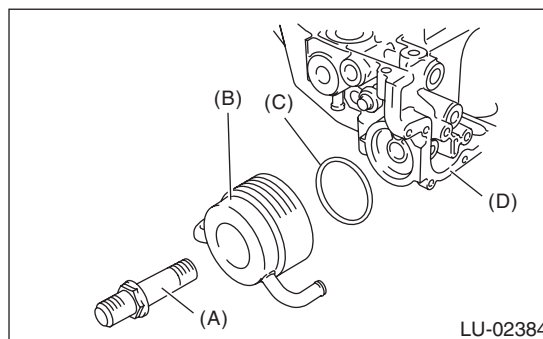
- 1) Tighten the oil cooler connector to install the oil cooler to the oil pan upper.

#### Tightening torque:

**54 N·m (5.5 kgf·m, 39.8 ft·lb)**

#### NOTE:

Use new O-rings.

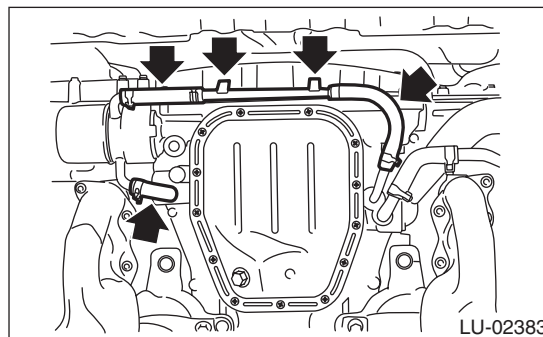


- (A) Oil cooler connector
- (B) Oil cooler
- (C) O-ring
- (D) Oil pan upper

- 2) Install the oil filter. <Ref. to LU(H6DO)-16, INSTALLATION, Engine Oil Filter.>
- 3) Attach the bolts which hold the engine oil cooler water pipe to chain cover and connect the water hose to oil cooler.

#### Tightening torque:

**6.4 N·m (0.7 kgf·m, 4.7 ft·lb)**



- 4) Lower the vehicle.
- 5) Refill the engine oil. <Ref. to LU(H6DO)-10, REPLACEMENT, Engine Oil.>
- 6) Fill the ATF. <Ref. to CO(H6DO)-12, FILLING OF ENGINE COOLANT, REPLACEMENT, Engine Coolant.>
- 7) Check the engine oil level. <Ref. to LU(H6DO)-10, INSPECTION, Engine Oil.>

### C: INSPECTION

- 1) Check that coolant passages are not clogged using a compressed air.
- 2) Check that the oil pan upper and O-ring installing surface of oil filter are not damaged.