

FUEL SYSTEM (1AZ-FSE)

PRECAUTION

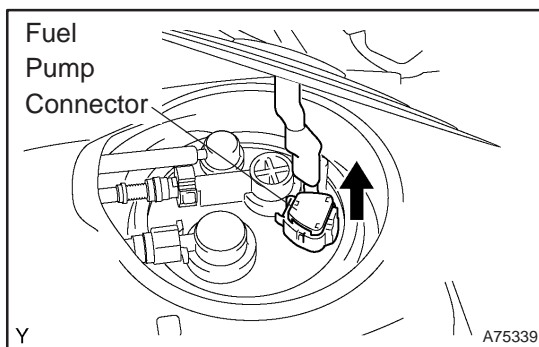
1. PRECAUTION

- (a) Before working on fuel system, disconnect negative (-) battery cable.
- (b) Do not smoke or work near fire when handling the fuel system.
- (c) Keep gasoline away from rubber or leather parts.

2. DISCHARGE FUEL SYSTEM PRESSURE

CAUTION:

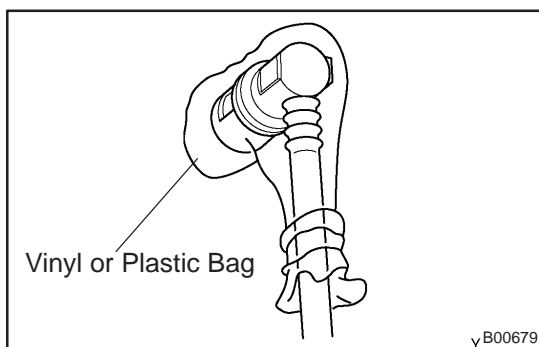
- Do not disconnect any part of the fuel system until you have discharged the fuel system pressure.
- Even after discharging the fuel pressure, place a shop rag over fittings as you separate them to reduce risk of fuel spray on yourself or in the engine compartment.



- (a) Disconnect the fuel pump connector.
- (b) Start the engine. After the engine has stopped, turn the ignition switch OFF.
- (c) Disconnect the negative (-) battery cable.
- (d) Connect the fuel pump connector.

3. FUEL SYSTEM

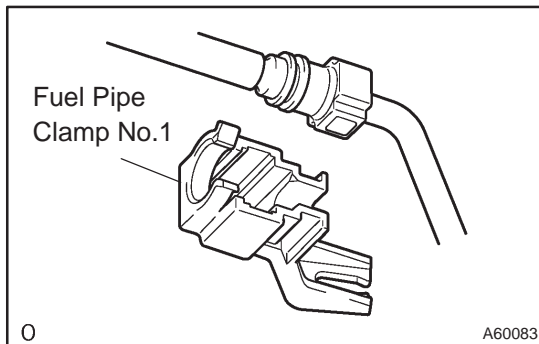
- (a) When disconnecting the high fuel pressure line, a large amount of gasoline will spill out, so observe these procedures.
 - (1) Discharge the pressure in the fuel system. (See step 2)
 - (2) Disconnect the fuel pump tube. (See page 11-93)
 - (3) Drain the fuel that remained inside the fuel pump tube.
 - (4) Cover the disconnected fuel pump tubes with a vinyl or a plastic bag to prevent damage and dirt.
 - (5) Place a tray under the vehicle or point of disconnection to catch any fuel that may spill.



- (b) Observe the following precautions when removing and installing fuel injectors.

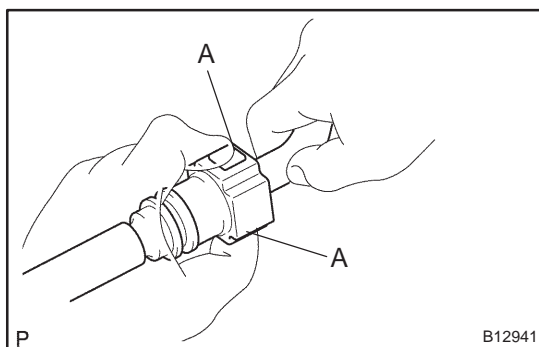
NOTICE:**Never reuse the O-ring.**

- (1) When installing a new O-ring to the injector, be careful not to damage the injector.
- (2) Coat the new O-ring with grease or gasoline before installing. Never use engine oil, gear oil or brake oil.

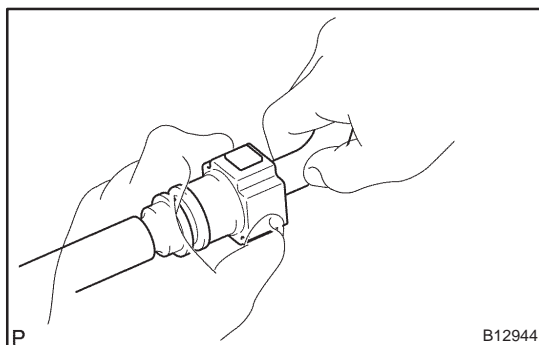


- (c) Observe these following precautions when disconnecting the fuel tube connector (quick type).

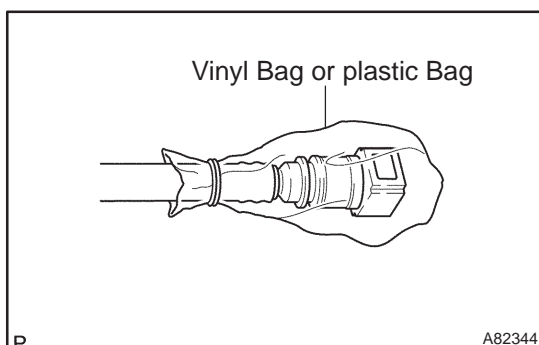
- (1) Remove the fuel pipe clamp No.1.
- (2) Check that there is no dirt or mud on the pipe and around the connector before disconnecting them. Clean them if necessary.



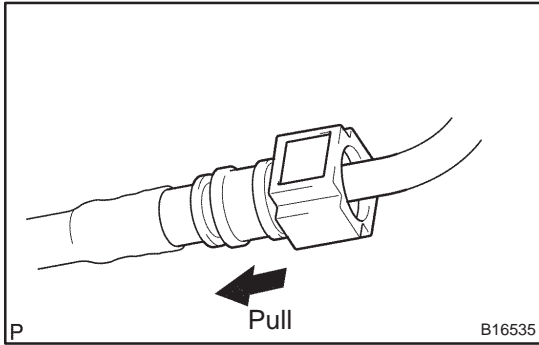
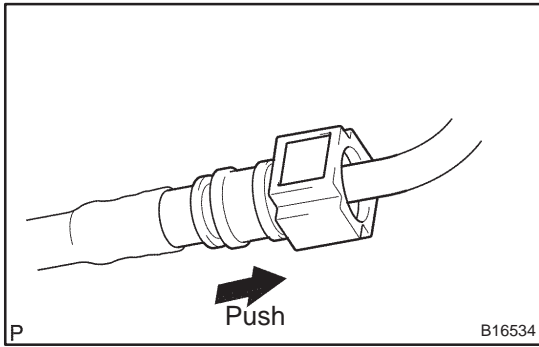
- (3) Disconnect the connector from the hose while pinching part A with fingers as shown in the illustration.



- (4) When the connector and the pipe are stuck, push and pull the connector to release and pull the connector out from the pipe carefully.
- (5) Inspect that there is no dirt or mud on the sealing surface of the disconnected pipe. Clean it away if necessary.



- (6) To prevent the disconnected pipe and connector from being damaged and foreign objects from being introduced, cover them with a vinyl or plastic bag.



- (d) Observe these precautions when connecting the fuel tube connectors (Quick Type):
- (1) Check that there is no damage or foreign objects in the connected part of the pipe.
 - (2) Match the axis of the connector with the axis of the pipe, and push into the connector until the connector makes a "click" sound. If the connection is tight, apply little amount of fresh engine oil on the tip of the pipe.
 - (3) After having finished the connection, check if the pipe and the connector are securely connected by pulling on them.
 - (4) Check for fuel leaks.

4. CHECK FOR FUEL LEAKS

- (a) Check that there are no fuel leaks after doing maintenance anywhere on the fuel system.
(See page 11-33)