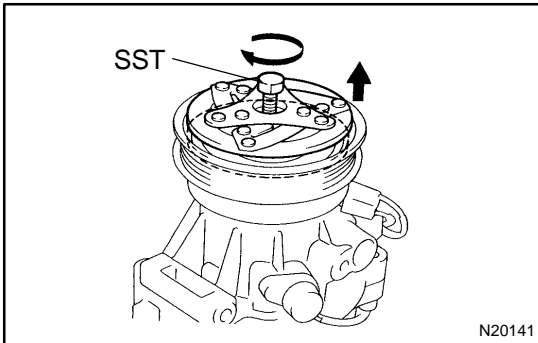


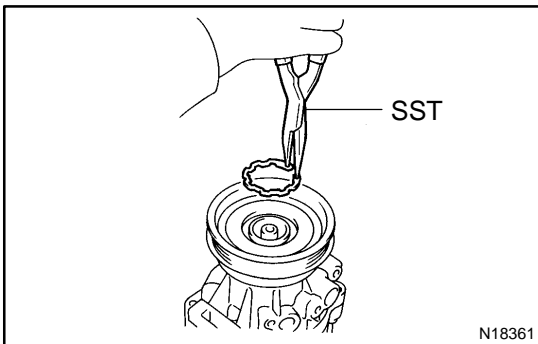
**DISASSEMBLY**

**1. REMOVE PRESSURE PLATE**

- (a) Using SST and a socket wrench, remove the shaft bolt.  
SST 07112-76050  
**Torque: 13.2 N·m (135 kgf·cm, 9 ft·lbf)**

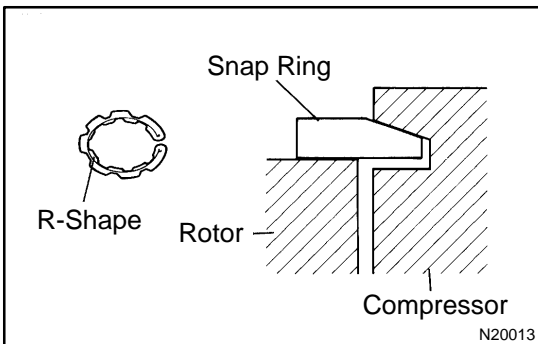


- (b) Install SST to the pressure plate.  
SST 07112-66040
- (c) Using SST and a socket wrench, remove the pressure plate.  
SST 07112-76050, 07112-66040
- (d) Remove the shims from the shaft.



**2. REMOVE ROTOR**

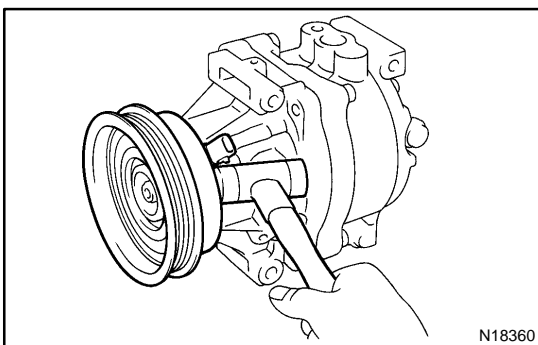
- (a) Using SST, remove the snap ring.  
SST 95994-10020



**NOTICE:**

**At the time of reassembly, please refer to the following item.**

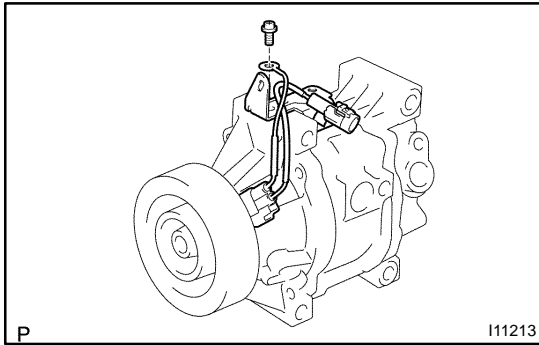
**The snap ring should be installed so that its beveled side faces up.**



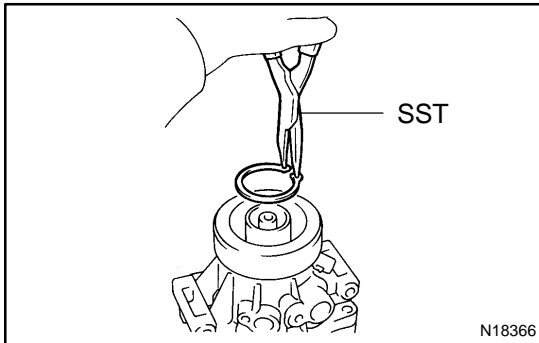
- (b) Using a plastic hammer, tap the rotor off the shaft.

**NOTICE:**

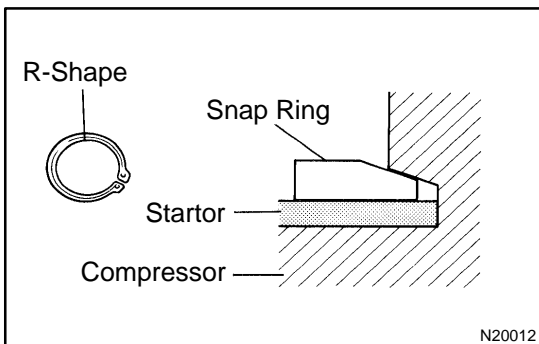
**Be careful not to damage the pulley when tapping on the rotor.**

**3. REMOVE STATOR**

- (a) Disconnect the connector from the stator.
- (b) Remove the screw and stator lead wire.

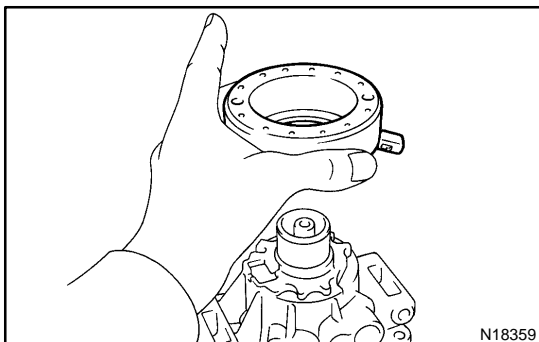


- (c) Using SST, remove the snap ring.  
SST 95994-10020

**NOTICE:**

**At the time of reassembly, please refer to the following item.**

**The snap ring should be installed so that its beveled side faces up.**



- (d) Remove the stator.