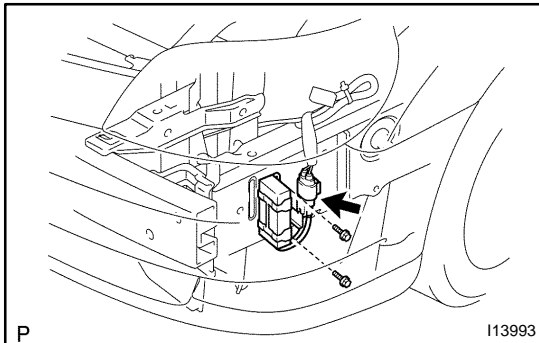


CONDENSER FAN RESISTOR INSPECTION

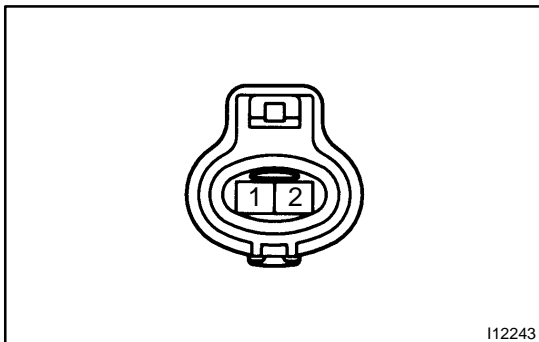
AC291-03

1. REMOVE ENGINE UNDER COVER LH



2. REMOVE CONDENSER FAN RESISTOR

- (a) Disconnect the connector.
- (b) Remove the 2 bolts and condenser fan resistor.



3. INSPECT CONDENSER FAN RESISTOR RESISTANCE

Measure resistance between terminals.

Standard resistance: $1.3 \pm 0.13 \Omega$

If resistance is not as specified, replace the condenser fan resistor.

4. INSTALL CONDENSER FAN RESISTOR

- (a) Install the condenser fan resistor with 2 bolts.
- (b) Connect the connector.

5. INSTALL ENGINE UNDER COVER LH